



US00D789919S

(12) **United States Design Patent** (10) **Patent No.:** **US D789,919 S**
Hoshikawa (45) **Date of Patent:** **** Jun. 20, 2017**

(54) **MAT FOR SMALL ARTICLES**

(71) Applicant: **Trinity, Inc.**, Niiza-shi, Saitama-ken (JP)

(72) Inventor: **Tetsushi Hoshikawa**, Niiza (JP)

(73) Assignee: **TRINITY, INC.**, Niiza-Shi, Saitama-Ken (JP)

(**) Term: **14 Years**

(21) Appl. No.: **29/524,913**

(22) Filed: **Apr. 24, 2015**

(30) **Foreign Application Priority Data**

Oct. 24, 2014 (JP) 2014-023866

(51) **LOC (10) Cl.** **14-04**

(52) **U.S. Cl.**
USPC **D14/250**

(58) **Field of Classification Search**
USPC D3/201, 215, 218, 294;
D14/203.3–203.5, 203.8, 217, 240, 250,
D14/251, 253, 318, 341, 440, 496;
D21/469; D24/189
CPC G06F 1/1601; G06F 1/1626; G06F 1/1633;
G06F 1/1675; G06F 1/1679; G02F
1/1306; G02F 1/133; G02F 1/33308;
G02F 1/153; G02F 1/1533; G02F
2001/133317; H04B 1/3888; H04M
1/185; H04M 1/0252

See application file for complete search history.

(56) **References Cited**

U.S. PATENT DOCUMENTS

D513,617 S * 1/2006 Tierney D14/496
D526,810 S * 8/2006 Lorr D6/406.5
D666,202 S * 8/2012 Dinh D14/439

(Continued)

OTHER PUBLICATIONS

Overstock.com | Sports tors | Aeromat 72-inch Blue Workout Mat with Eyelets, first reviewed on Nov. 6, 2015, © 2017 Overstock™ [online]. [site visited Mar. 1, 2017]. Available from Internet, <URL: <https://www.overstock.com/Sports-Toys/Aeromat-72-inch-Blue-Workout-Mat-with-Eyelets/10528422/product.html?refccid=D57WBZTLI22KJ4SBN7QYT6KLAU&searchidx=30/>>.*

Primary Examiner — Philip S Hyder

Assistant Examiner — Cary M Robinson

(74) *Attorney, Agent, or Firm* — Fitzpatrick, Cella, Harper & Scinto

(57) **CLAIM**

The ornamental design for a mat for small articles, as shown and described.

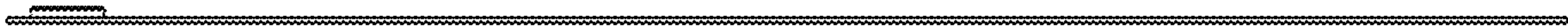
DESCRIPTION

FIG. 1 is a front view of an embodiment of a mat for small articles;
FIG. 2 is a right side view of the embodiment of FIG. 1;
FIG. 3 is a top view of the embodiment of FIG. 1;
FIG. 4 is a bottom view of the embodiment of FIG. 1;
FIG. 5 is a front perspective view of the embodiment of FIG. 1;
FIG. 6 is a perspective view of the embodiment of FIG. 1 shown in an exemplary environment of use;
FIG. 7 is a perspective view of the embodiment of FIG. 1 shown in a folded state; and,
FIG. 8 is a perspective view of the embodiment of FIG. 1 shown in a folded state in an exemplary environment of use. The broken lines shown in FIG. 6 illustrate an electronic device, sunglasses, and an electric device charger that form no part of the claimed design.

The broken lines shown in FIG. 7 illustrate fold lines, i.e., lines where folds occur in the claimed design in the folded state.

The broken lines shown in FIG. 8, other than the same broken lines as shown in FIG. 7, illustrate an electronic

(Continued)



device, sunglasses, and an electric device charger that form no part of the claimed design.

1 Claim, 8 Drawing Sheets

(56) **References Cited**

U.S. PATENT DOCUMENTS

D677,666	S *	3/2013	Akana	D14/439
D678,292	S *	3/2013	Phillips	D14/440
D679,819	S *	4/2013	Peron	D24/189
D714,294	S *	9/2014	Dinh	D14/439
D731,495	S *	6/2015	Hassett	D14/440
D733,146	S *	6/2015	Akana	D14/439
D733,152	S *	6/2015	Sirichai	D14/440
D735,179	S *	7/2015	Yang	D14/240
D744,489	S *	12/2015	Sirichai	D14/440
D749,590	S *	2/2016	Dinh	D14/439
D767,550	S *	9/2016	Beaupre	D14/250
2011/0255218	A1 *	10/2011	Pakula	G06F 1/1626 361/679.01
2013/0344925	A1 *	12/2013	Lu	H04B 1/3888 455/575.8
2014/0055927	A1 *	2/2014	Wang	H05K 7/00 361/679.01
2015/0047773	A1 *	2/2015	Wadsworth	B29C 63/0047 156/182
2015/0107767	A1 *	4/2015	Wadsworth	B32B 37/0046 156/324
2015/0122850	A1 *	5/2015	Quehl	A45C 11/00 224/191

* cited by examiner



Fig. 1



Fig. 2

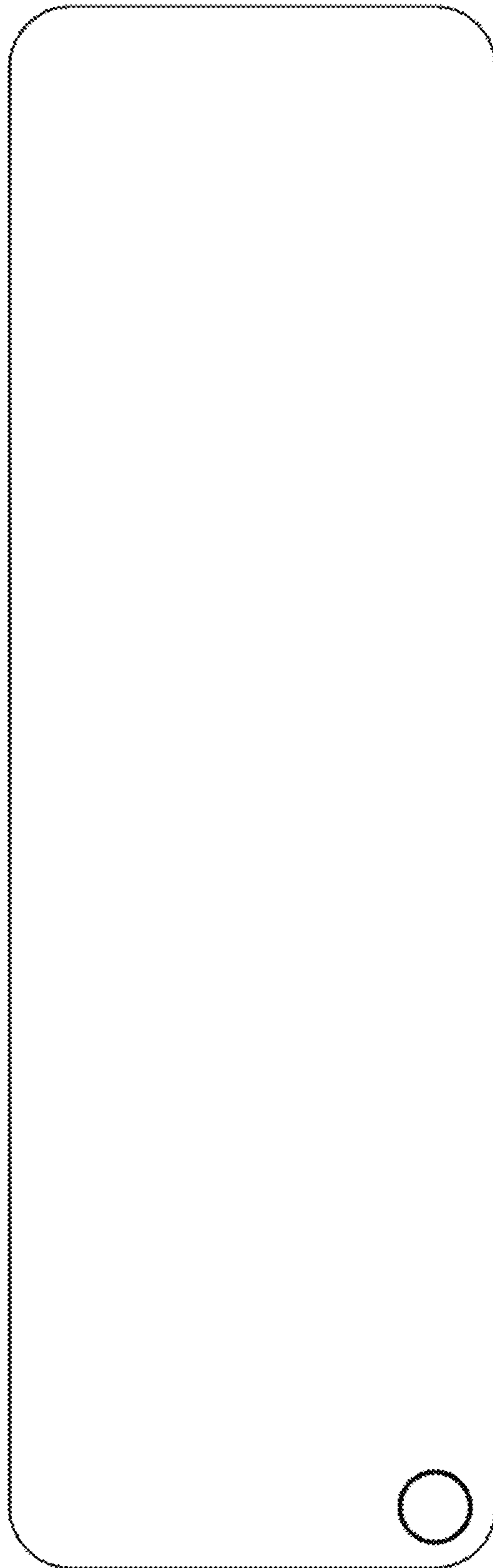


Fig. 3

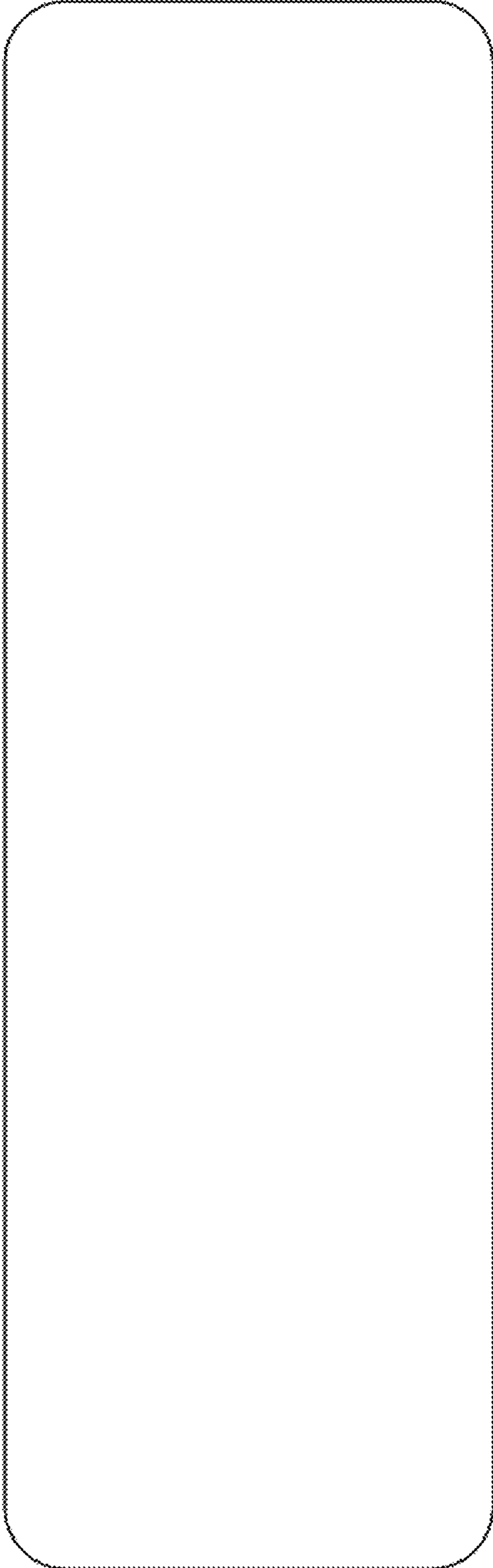


Fig. 4

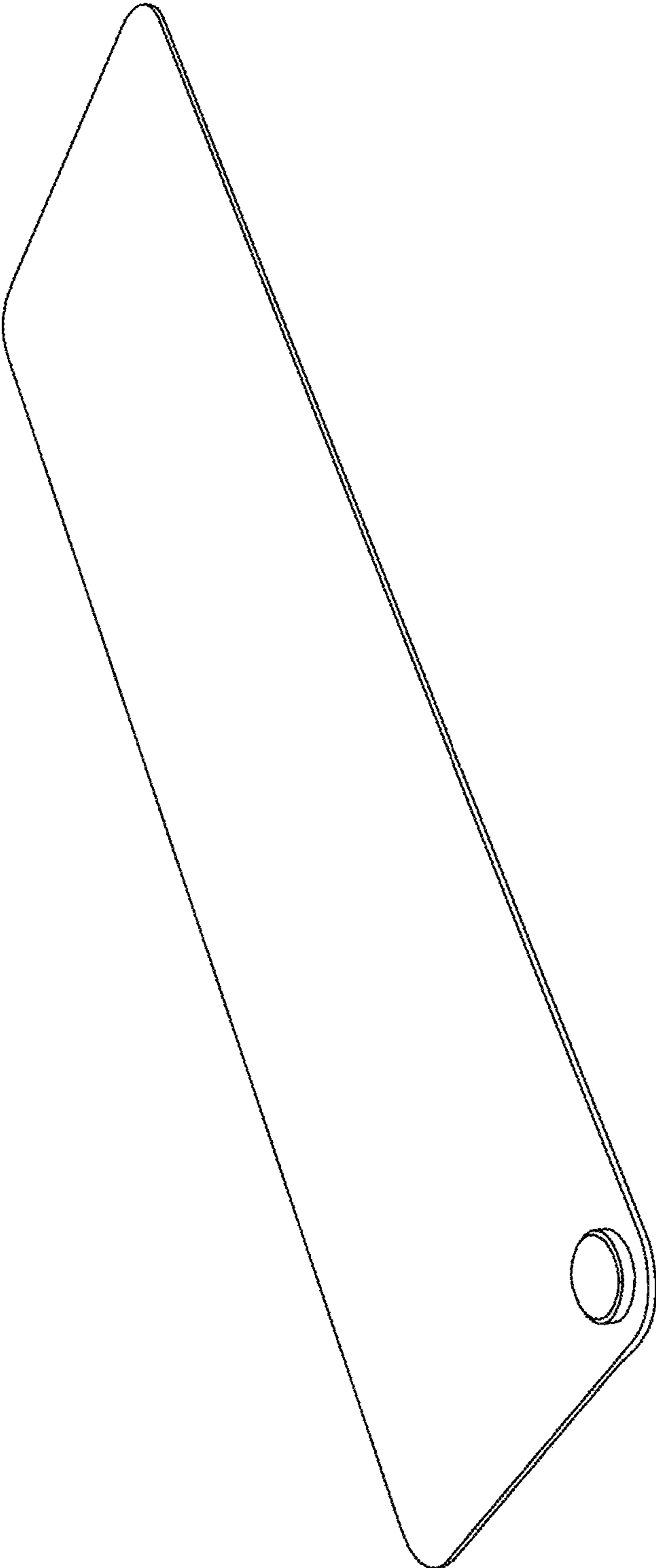


Fig. 5

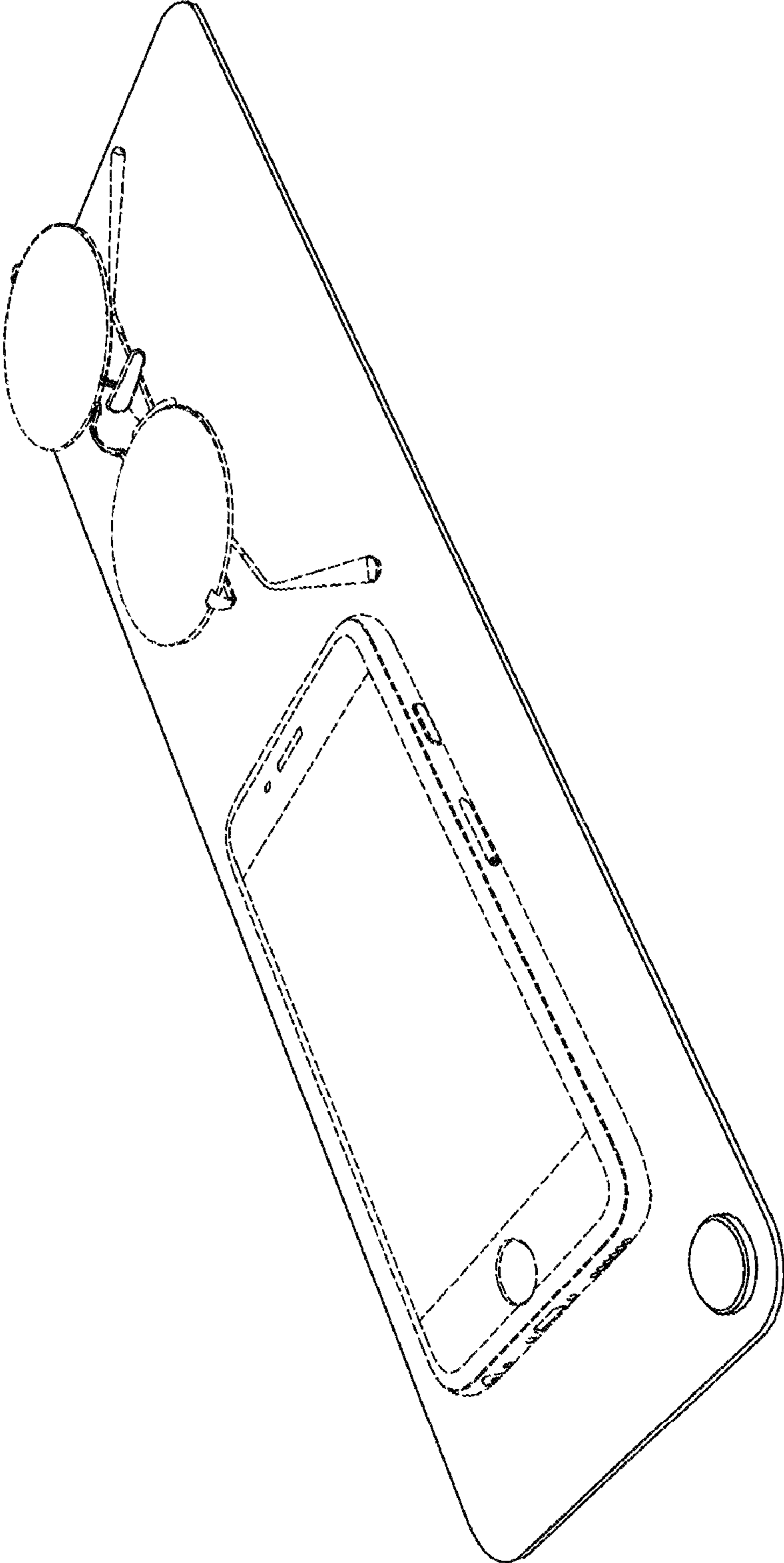


Fig. 6

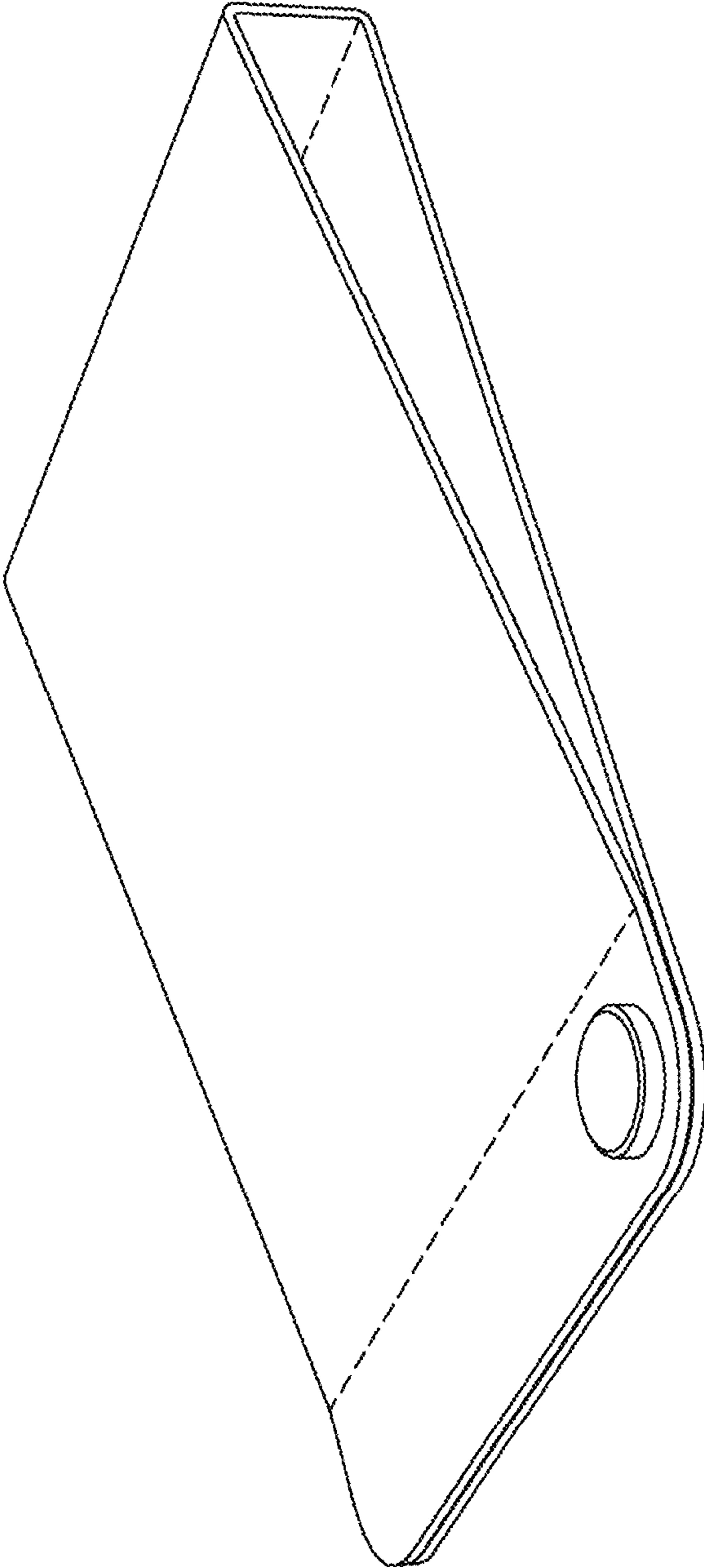


FIG. 7

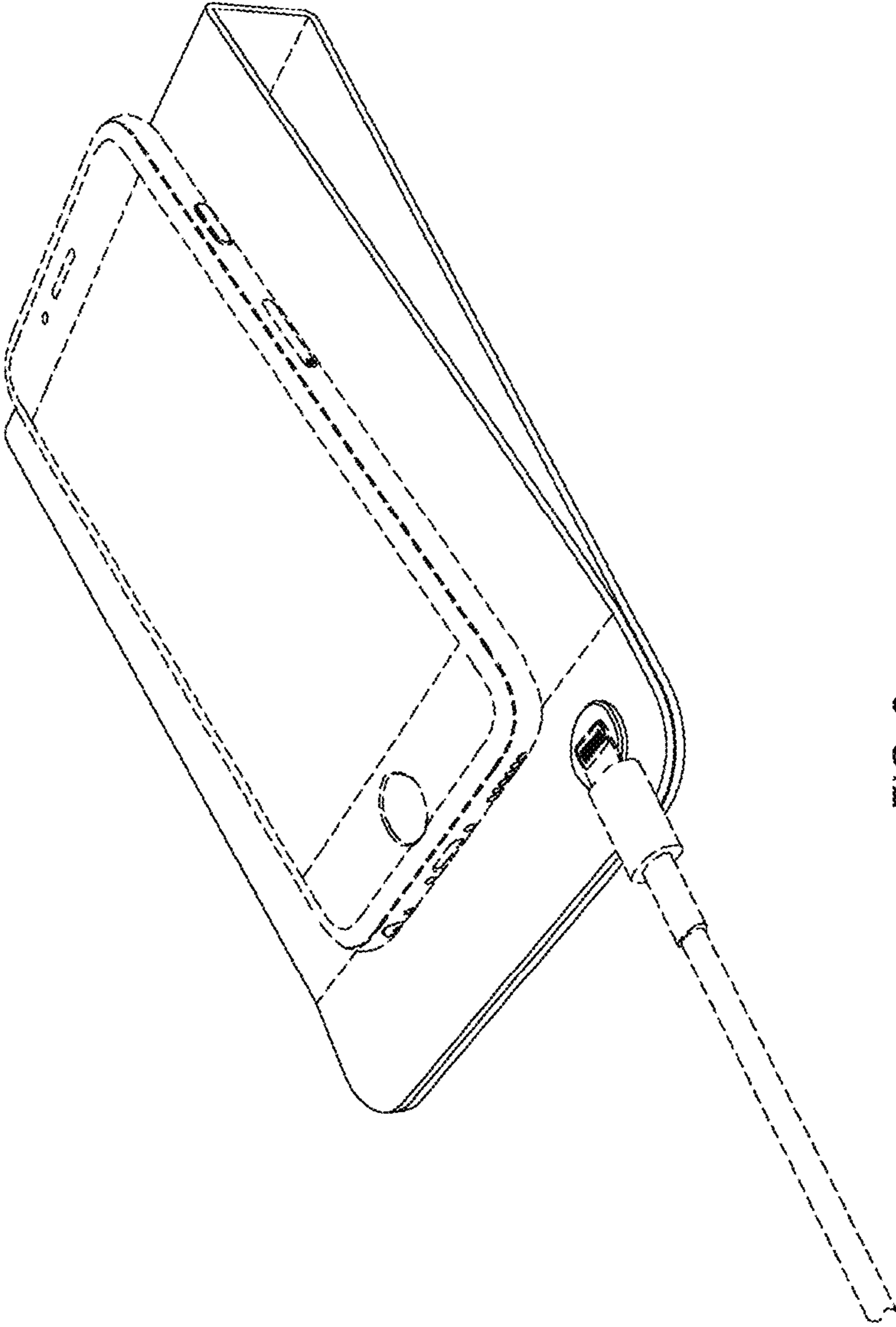


FIG. 8