



US00D789910S

(12) **United States Design Patent**
Katopis

(10) **Patent No.:** **US D789,910 S**

(45) **Date of Patent:** **** Jun. 20, 2017**

(54) **EARBUD**

(71) Applicant: **Chris J. Katopis**, Washington, DC
(US)

(72) Inventor: **Chris J. Katopis**, Washington, DC
(US)

(**) Term: **15 Years**

(21) Appl. No.: **29/557,858**

(22) Filed: **Mar. 13, 2016**

(51) **LOC (10) Cl.** **14-01**

(52) **U.S. Cl.**

USPC **D14/223**

(58) **Field of Classification Search**

USPC D14/223, 205; D24/174; 181/129, 130,
181/135; 379/430, 431; 381/380, 381

CPC H04R 1/10; H04R 25/00; H04R 25/02;
H04R 1/1016; H04R 1/1066; H04R
5/033; H04R 5/0335

See application file for complete search history.

(56) **References Cited**

U.S. PATENT DOCUMENTS

789,876	A *	5/1905	Pape	A61F 11/008 181/135
D168,902	S *	2/1953	Mundt	D8/311
D195,508	S *	6/1963	McCabe	D13/137.1
D231,317	S *	4/1974	Ludwick	D8/312
D328,559	S *	8/1992	Wilson	D8/312
D463,789	S *	10/2002	DeKalb	D14/223
D463,790	S *	10/2002	Beraut	D14/205
D467,907	S *	12/2002	Marion	D14/223
6,731,772	B1 *	5/2004	Byun	H04R 1/12 181/130
6,810,987	B1 *	11/2004	DeKalb	H04R 1/105 181/129
D510,337	S *	10/2005	Tages	D14/205
D514,094	S *	1/2006	Griffin	D14/223
D523,846	S *	6/2006	Lee	D14/205

D539,075	S *	3/2007	Schuler	D7/354
D562,808	S *	2/2008	Gwee	D14/223
D566,687	S *	4/2008	Duarte	D14/205
D568,291	S *	5/2008	Andre	D14/205
D572,241	S *	7/2008	Gwee	D14/223
D585,429	S *	1/2009	Dean	D14/223
D587,677	S *	3/2009	Andre	D14/205
D589,491	S *	3/2009	Andre	D14/205
D591,721	S *	5/2009	Densho	D14/205
D591,732	S *	5/2009	Burton	D14/205
D600,675	S *	9/2009	Lee	D14/205
D601,134	S *	9/2009	Elabidi	D14/223
D610,129	S *	2/2010	Densho	D14/223

(Continued)

OTHER PUBLICATIONS

“Etymotic Research ER-(R) micorPro(R)—Earphones,” www.atymotic.com, [retrieved Mar. 4, 2016] <URL: http://www.atymotic.com/consumer/earphones/er4.html>.

(Continued)

Primary Examiner — Paula Greene

(74) *Attorney, Agent, or Firm* — Chris J. Katopis

(57) **CLAIM**

The ornamental design for an earbud, as shown and described.

DESCRIPTION

FIG. 1 is a front perspective view of an earbud, showing the new design;

FIG. 2 is a front view thereof;

FIG. 3 is a back view thereof;

FIG. 4 is a side view thereof;

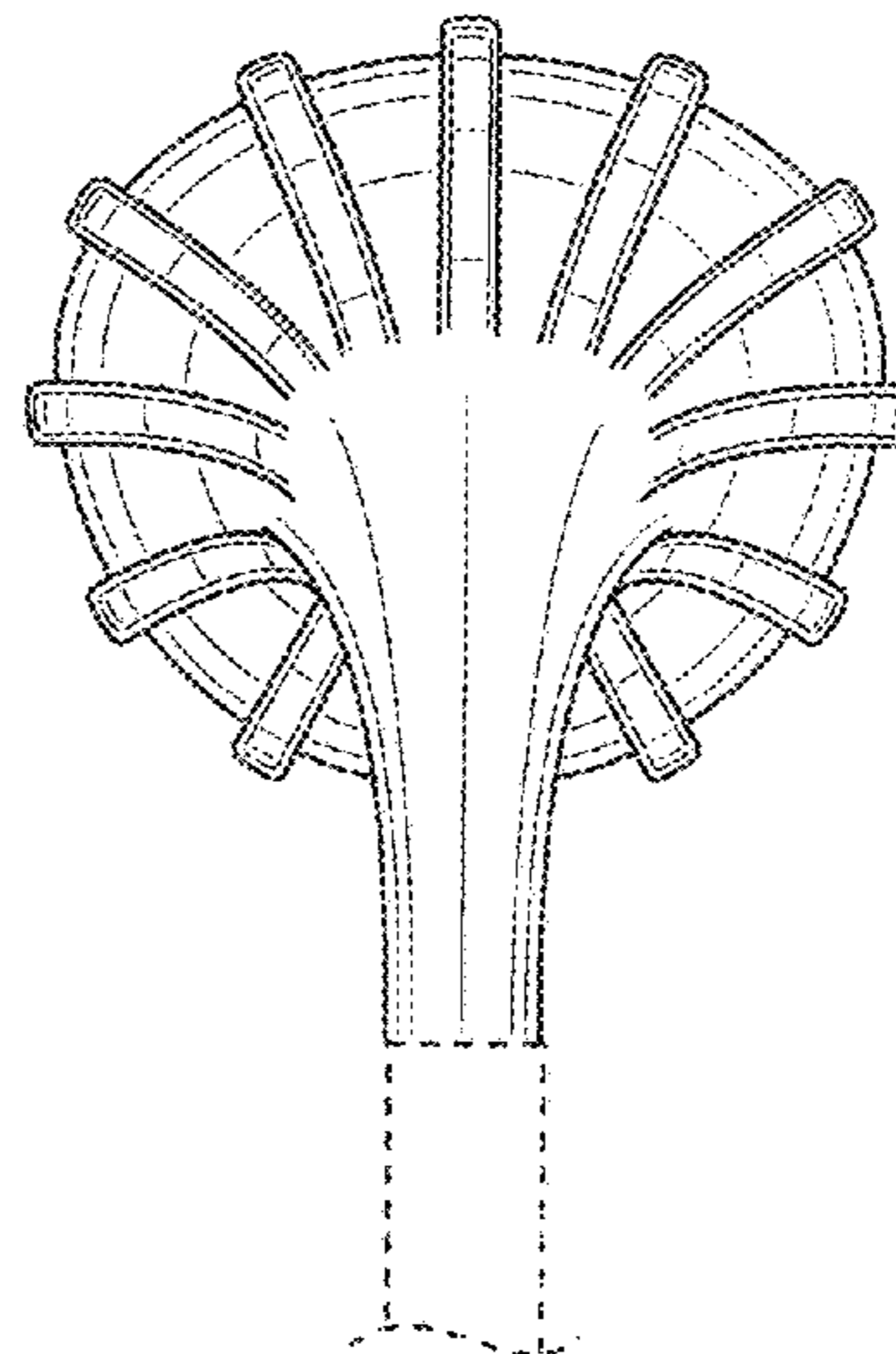
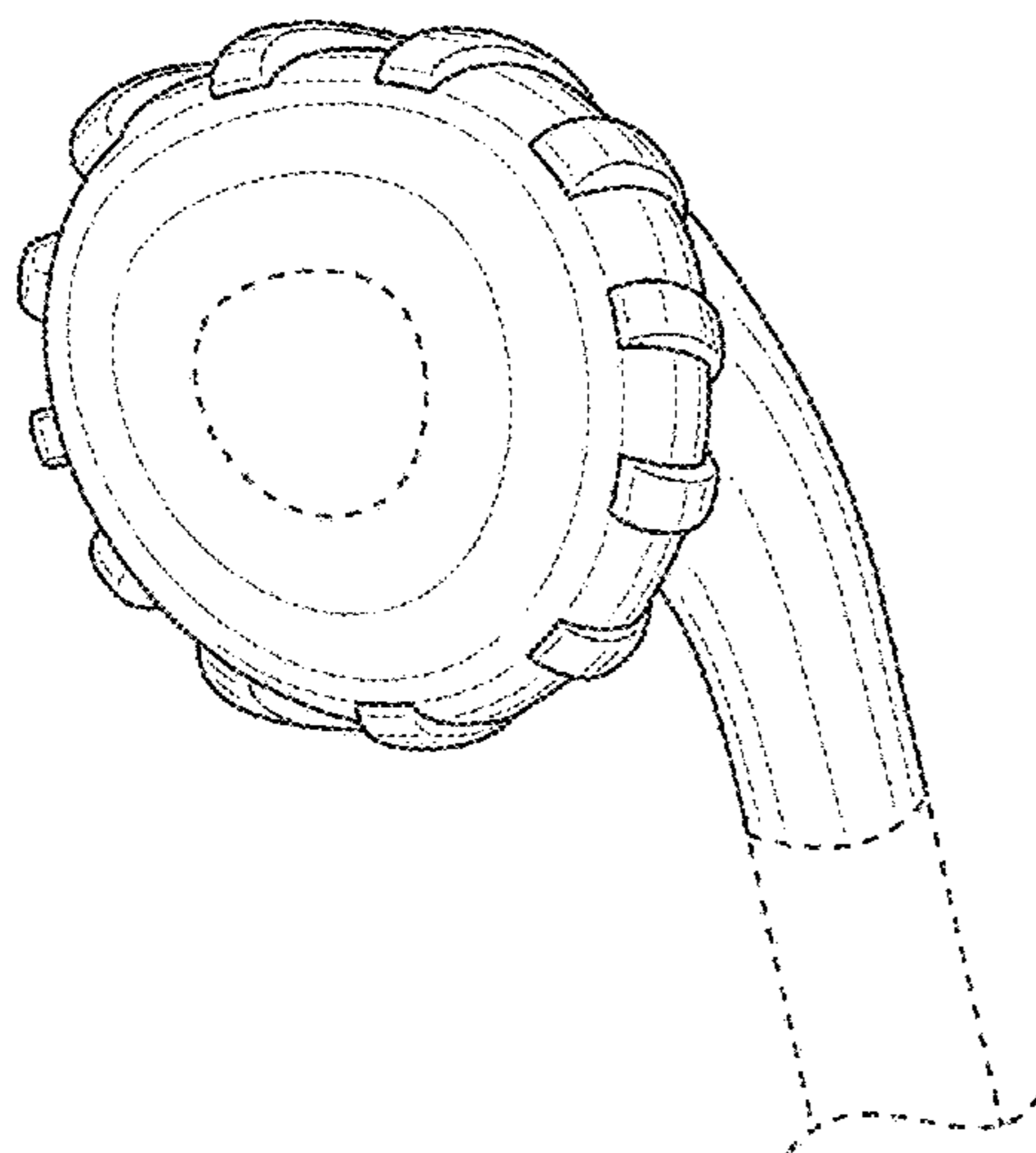
FIG. 5 is the opposite side view thereof;

FIG. 6 is a top view thereof; and,

FIG. 7 is a bottom view thereof.

In all figures, the broken lines represent environmental subject matter that forms no part of the claimed design.

1 Claim, 7 Drawing Sheets



(56)

References Cited

U.S. PATENT DOCUMENTS

7,681,577 B2 * 3/2010 Blanchard A61F 11/08
 128/846
 D617,316 S * 6/2010 Elabidi D14/223
 D618,209 S * 6/2010 Andre D14/205
 D618,210 S * 6/2010 Andre D14/205
 D618,805 S * 6/2010 Hindhede D24/174
 D619,566 S * 7/2010 Yu D14/223
 D624,056 S * 9/2010 Kolton D14/223
 D636,756 S * 4/2011 Fahrendorff D14/205
 D637,180 S * 5/2011 Shimizu D14/223
 D641,010 S * 7/2011 Kwon D14/223
 D641,011 S * 7/2011 Gondo D14/206
 D643,415 S * 8/2011 Vasquez D14/223
 D647,081 S * 10/2011 Kwon D14/223
 D653,235 S * 1/2012 McManigal D14/205
 D656,481 S * 3/2012 McManigal D14/205
 D658,157 S * 4/2012 McManigal D14/205
 D660,291 S * 5/2012 Thomas D14/223
 D662,079 S * 6/2012 Fahrendorff D14/205
 8,208,661 B2 * 6/2012 Jiang H04R 23/002
 381/111
 D666,169 S * 8/2012 Tucker D14/206
 D666,996 S * 9/2012 Hardi D14/223
 D674,271 S * 1/2013 Rodwin D8/356
 D676,415 S * 2/2013 Erdel D14/205
 D676,426 S * 2/2013 Komiyama D14/223
 D679,682 S * 4/2013 Shimizu D14/223
 D687,418 S * 8/2013 Godfrey D14/223
 D689,472 S * 9/2013 Erdel D14/223
 D695,721 S * 12/2013 Thompson D14/223

D695,722 S * 12/2013 Thompson D14/223
 D698,023 S * 1/2014 Iseberg D24/174
 D698,762 S * 2/2014 Zheng D14/223
 D700,905 S * 3/2014 Pavitsich D14/223
 D707,201 S * 6/2014 Arjomand H04R 25/652
 D14/205
 D707,657 S * 6/2014 Burt H04R 25/00
 D14/223
 D712,874 S * 9/2014 Gauger, Jr. D14/206
 D715,272 S * 10/2014 Burton D14/223
 D716,771 S * 11/2014 Burgett D14/223
 D729,764 S * 5/2015 Arjomand H04R 25/652
 D14/205
 D739,851 S * 9/2015 Donohue, II D14/223
 D744,456 S * 12/2015 Pedersen D14/223
 D745,863 S * 12/2015 Hardi D14/223
 D756,970 S * 5/2016 Ferber D14/223
 2007/0092094 A1 * 4/2007 Gilbertson H04R 25/60
 381/328
 2013/0083956 A1 * 4/2013 Hayashida H04R 1/10
 381/380
 2015/0060189 A1 * 3/2015 Iseberg H04R 1/1016
 181/135
 2015/0195638 A1 * 7/2015 Tseng H04R 1/1016
 381/380

OTHER PUBLICATIONS

“Burton Technologies LLC,” www.burtontechusa.com, [retrieved Mar. 4, 2016] <URL: <http://www.burtontechusa.com/>>.

* cited by examiner

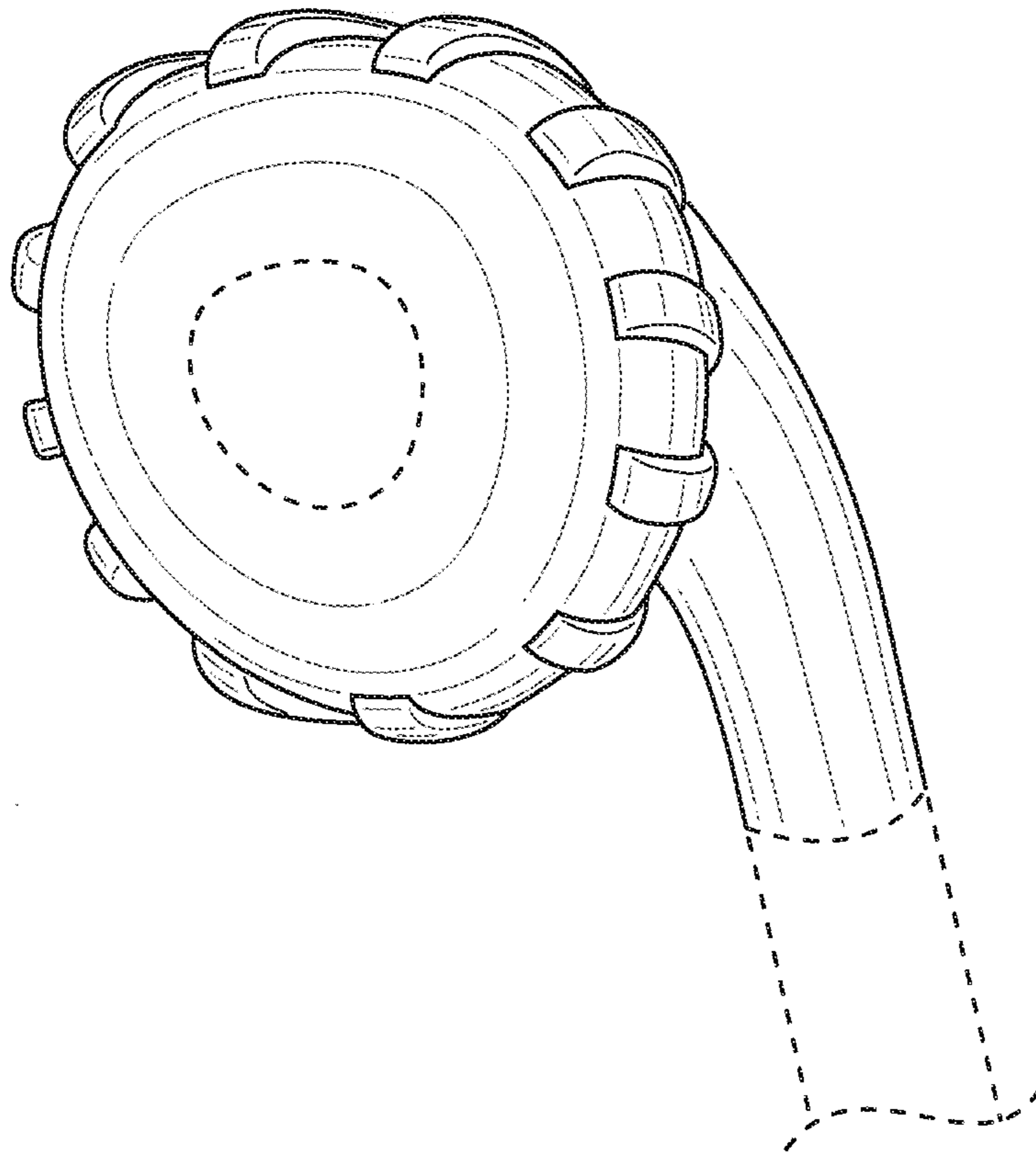


FIG. 1

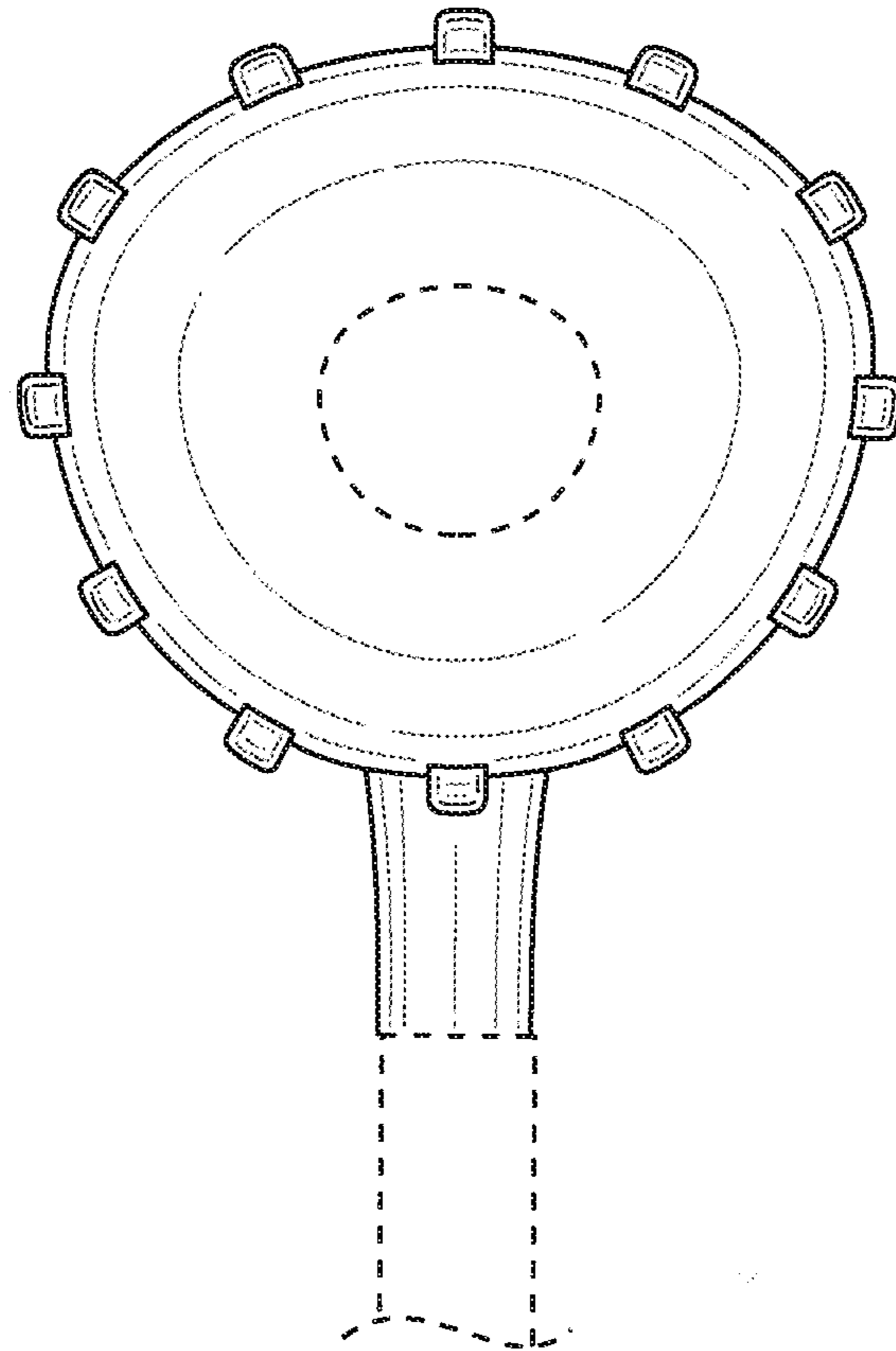


FIG. 2

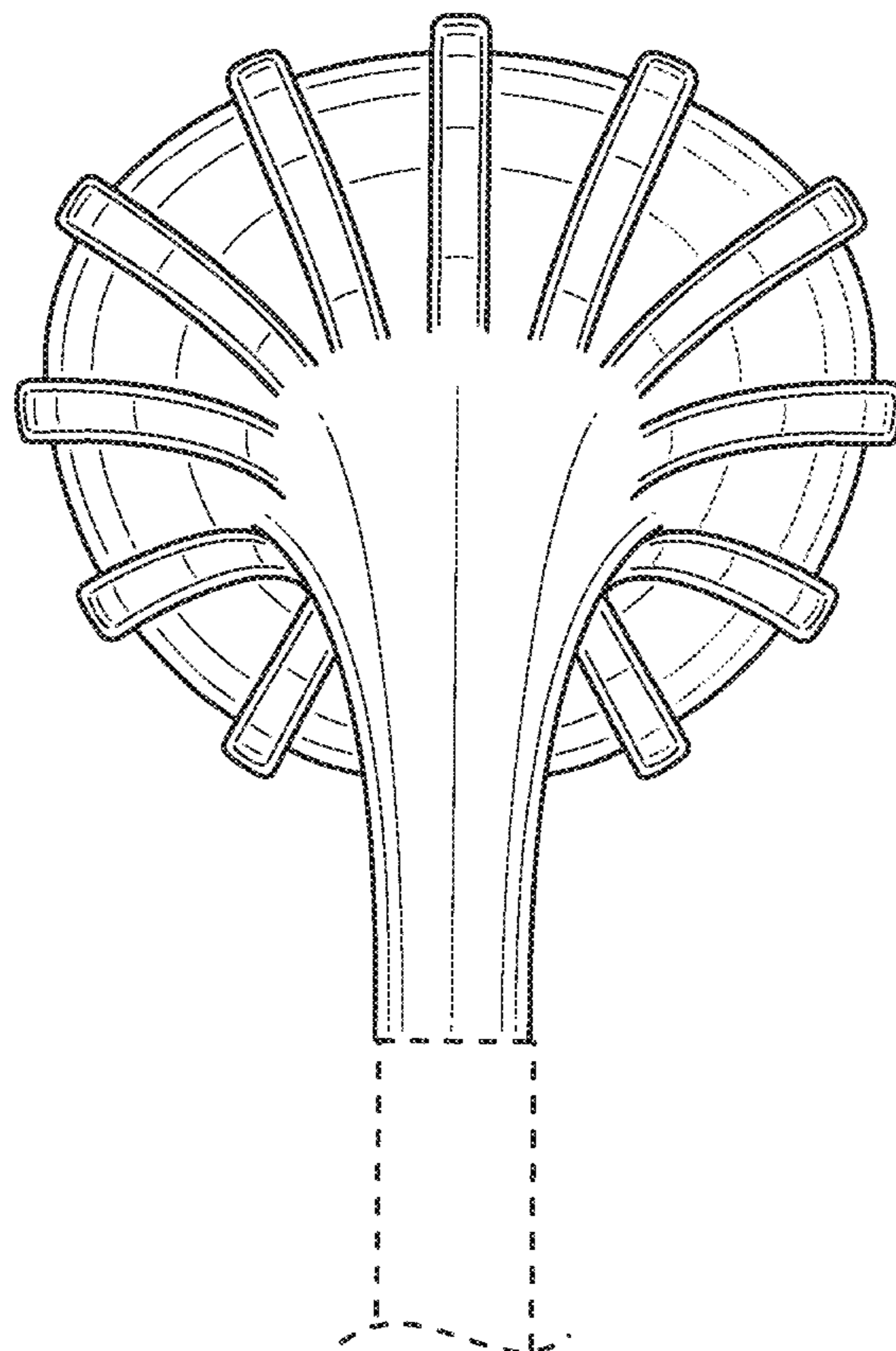


FIG. 3

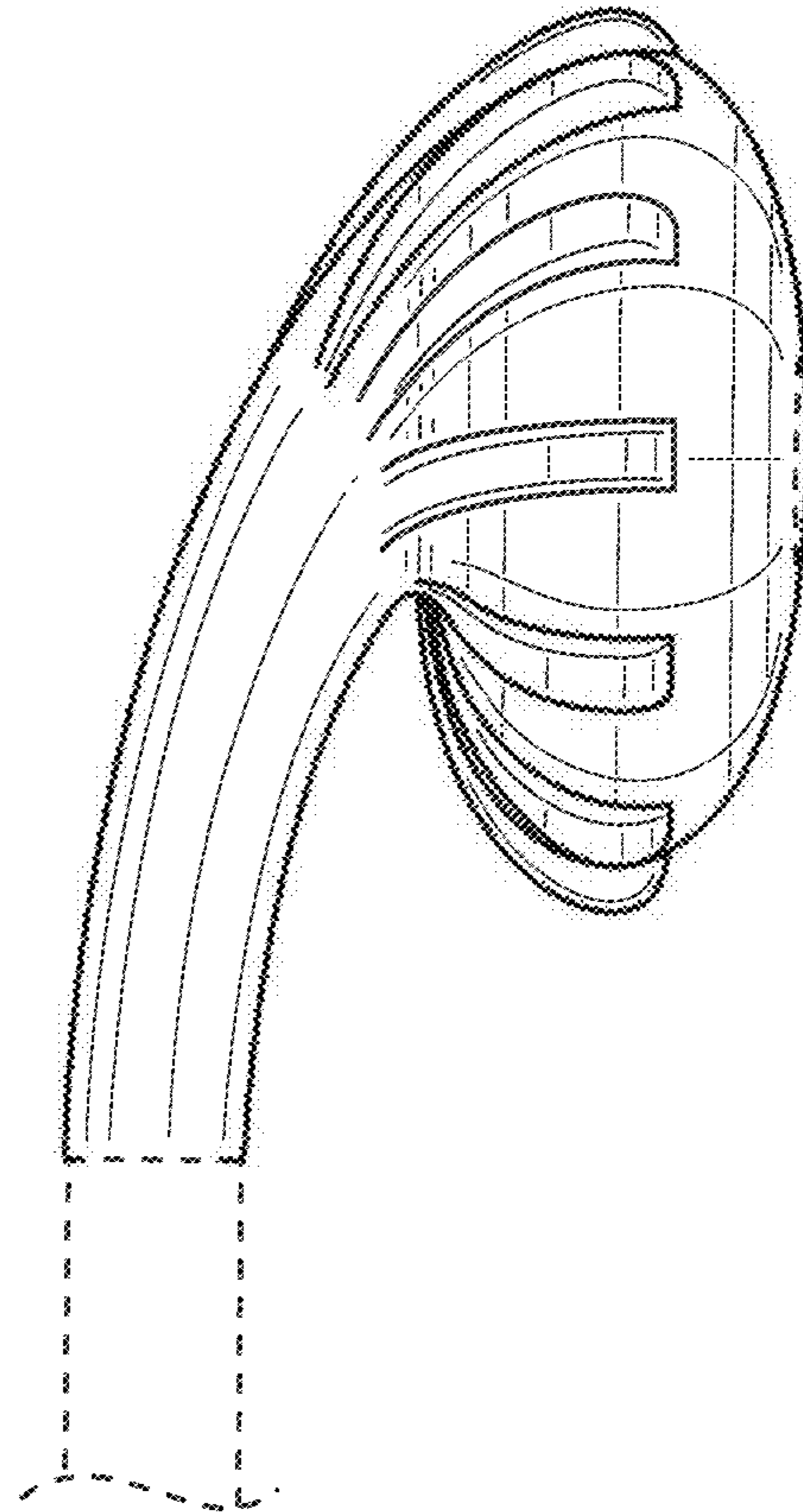


FIG. 4

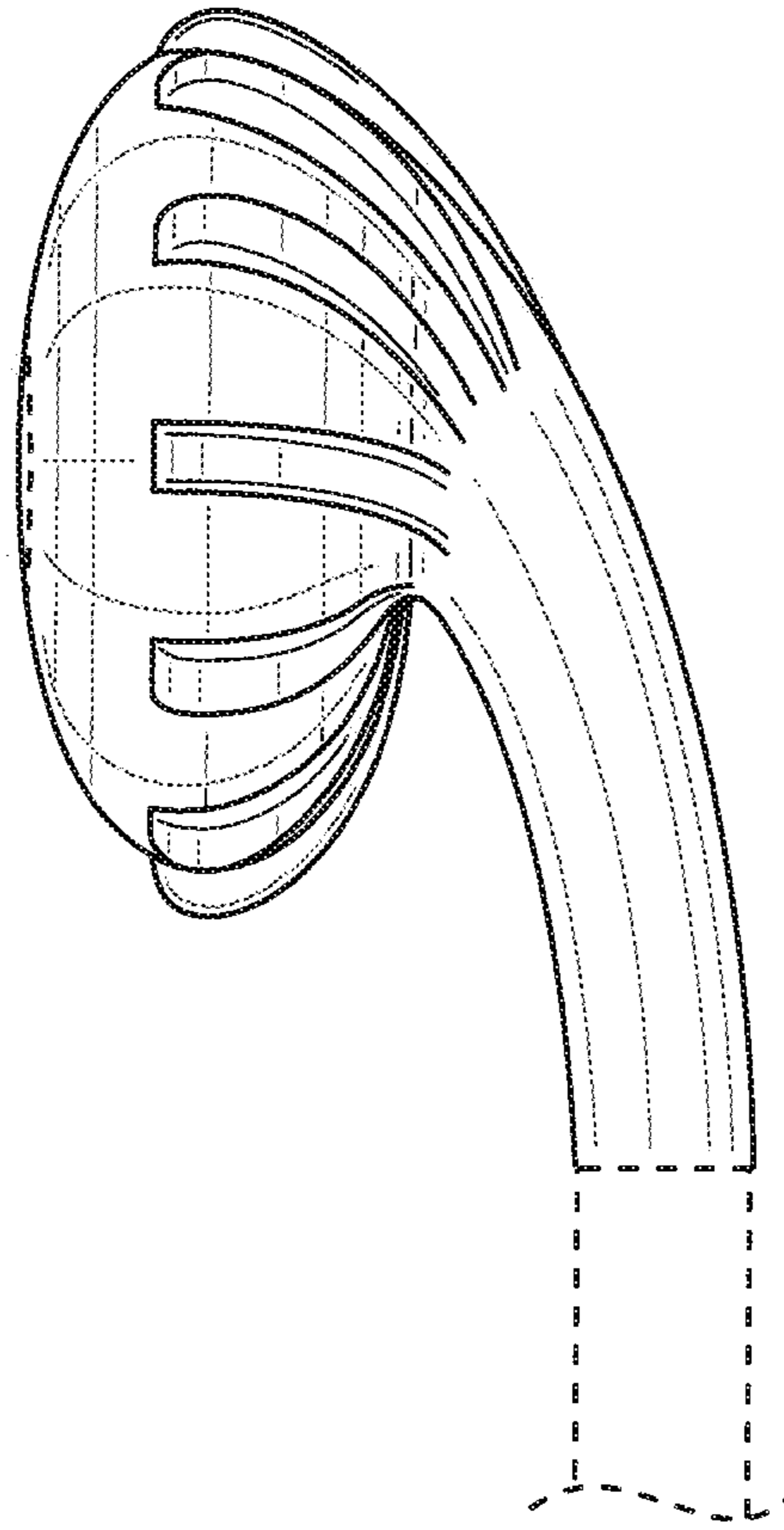


FIG. 5

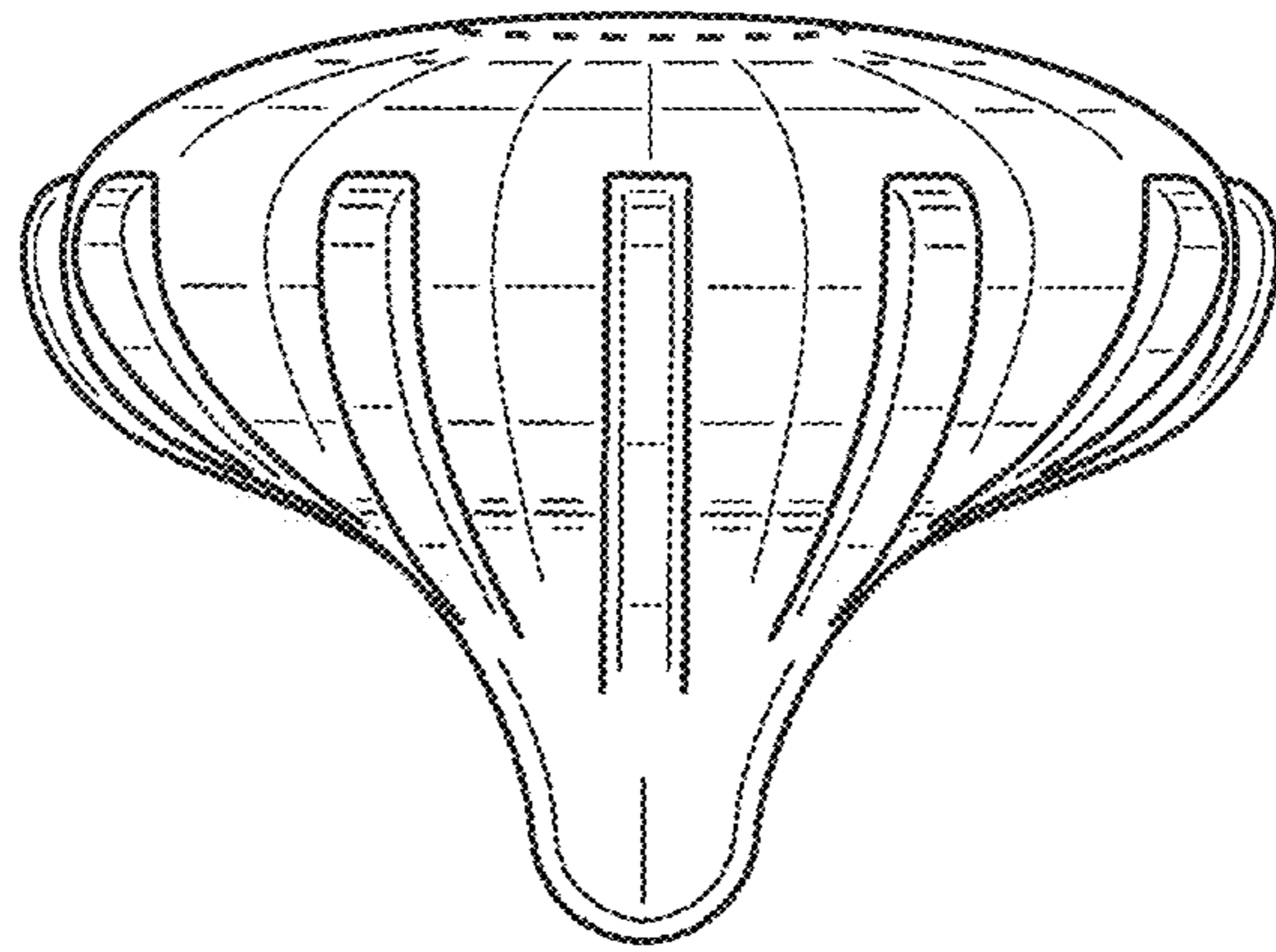


FIG. 6

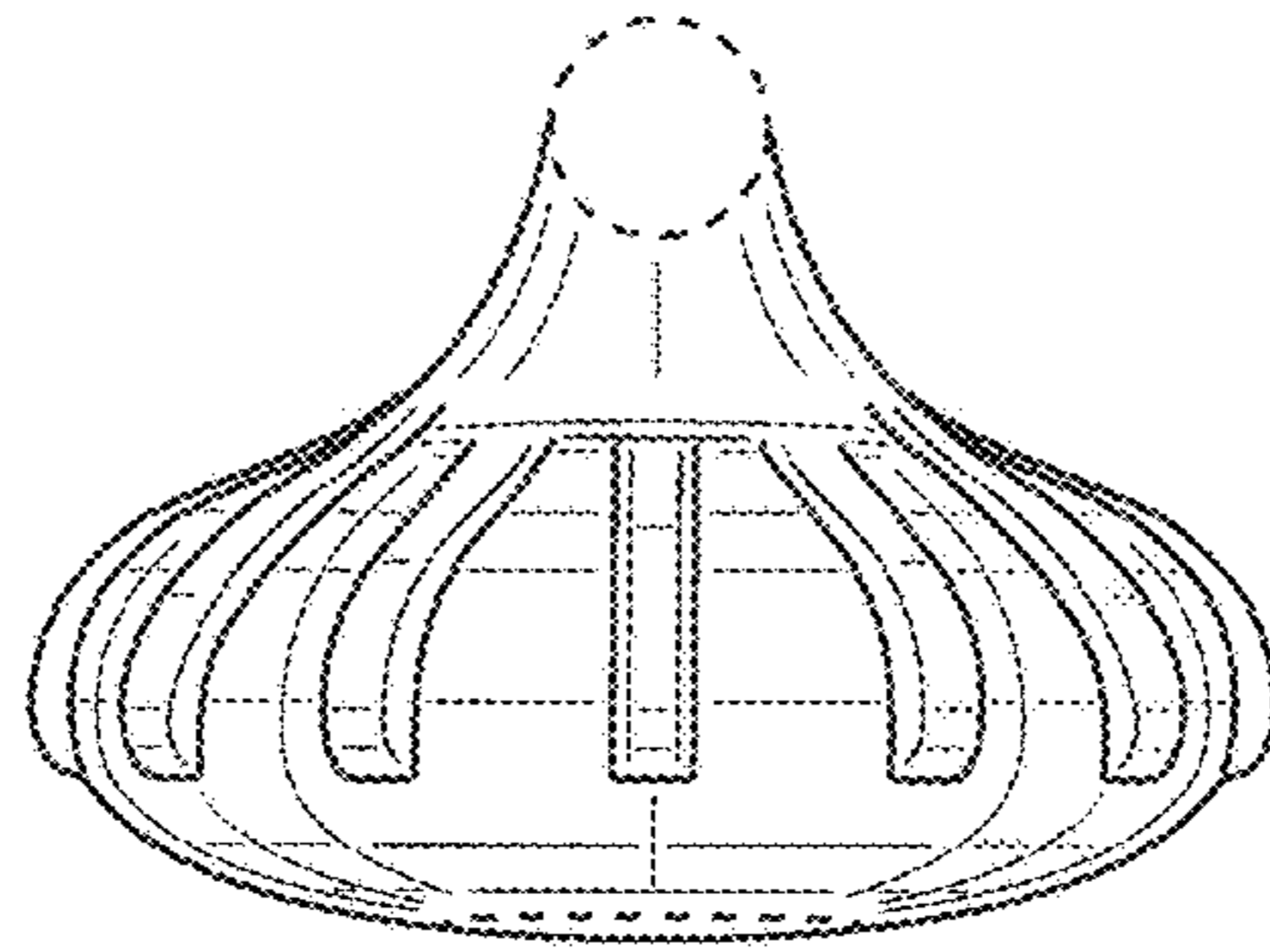


FIG. 7