



US00D789909S

(12) **United States Design Patent**  
**Hung et al.**

(10) **Patent No.:** **US D789,909 S**  
(45) **Date of Patent:** **\*\* Jun. 20, 2017**

(54) **EARPHONE**

(71) Applicants: **Erato (Cayman) Holdings Co., Ltd.**,  
Grand Cayman, KY (US); **Mavin**  
**Technology INC**, Chupei (TW)

(72) Inventors: **Su-Yu Hung**, Chupei (TW); **Chia-Nan**  
**Liao**, Chupei (TW); **Chen-Chun Chen**,  
New Taipei (TW)

(73) Assignees: **Erato (Cayman) Holdings Co., Ltd.**,  
Grand Cayman (KY); **Mavin**  
**Technology INC**, Chupei (TW)

(\*\*) Term: **15 Years**

(21) Appl. No.: **29/550,350**

(22) Filed: **Jan. 2, 2016**

(51) **LOC (10) Cl.** ..... **14-01**

(52) **U.S. Cl.**  
USPC ..... **D14/223**

(58) **Field of Classification Search**  
USPC ..... D14/223, 205; D24/106; 128/866, 864;  
181/129, 130, 135; 379/430, 431;  
381/74, 322, 328, 380, 381  
CPC ..... H04R 1/1016; H04R 1/10; H04R 5/033;  
H04R 1/1058; H04R 25/00  
See application file for complete search history.

(56) **References Cited**

**U.S. PATENT DOCUMENTS**

2,145,449 A \* 1/1939 Lockhart ..... H04R 17/02  
181/126  
3,871,372 A \* 3/1975 Bivins ..... A61F 9/029  
128/866  
D235,483 S \* 6/1975 Leight ..... D24/106  
D236,988 S \* 9/1975 Walters ..... D14/223  
D259,279 S \* 5/1981 Takeda ..... D24/106  
5,054,079 A \* 10/1991 Frielingsdorf ..... H04R 1/46  
379/430

D413,379 S \* 8/1999 Leight ..... D24/106  
D435,036 S \* 12/2000 Koss ..... D14/223  
D468,301 S \* 1/2003 Fushimi ..... D14/223  
6,567,527 B1 \* 5/2003 Baker ..... H01M 2/0202  
381/322  
6,677,078 B2 \* 1/2004 Reise ..... H01M 2/1055  
429/159  
6,830,124 B2 \* 12/2004 Chiang ..... A61F 11/08  
128/864  
7,010,137 B1 \* 3/2006 Leedom ..... A61B 5/6817  
381/322  
7,079,664 B2 \* 7/2006 Nassimi ..... H04R 25/558  
381/328

(Continued)

**FOREIGN PATENT DOCUMENTS**

KR 3004380990000 A 1/2007

*Primary Examiner* — Paula Greene

(74) *Attorney, Agent, or Firm* — Steven Reiss

(57) **CLAIM**

We claim the ornamental design for an earphone, as shown and described.

**DESCRIPTION**

FIG. 1 is a front perspective view of an earphone showing our new design with an unclaimed earpiece in broken lines; FIG. 2 is a rear perspective view thereof without the earpiece;

FIG. 3 is a top plan view of FIG. 2;

FIG. 4 is a bottom plan view of FIG. 2;

FIG. 5 is a right side elevational view of FIG. 2;

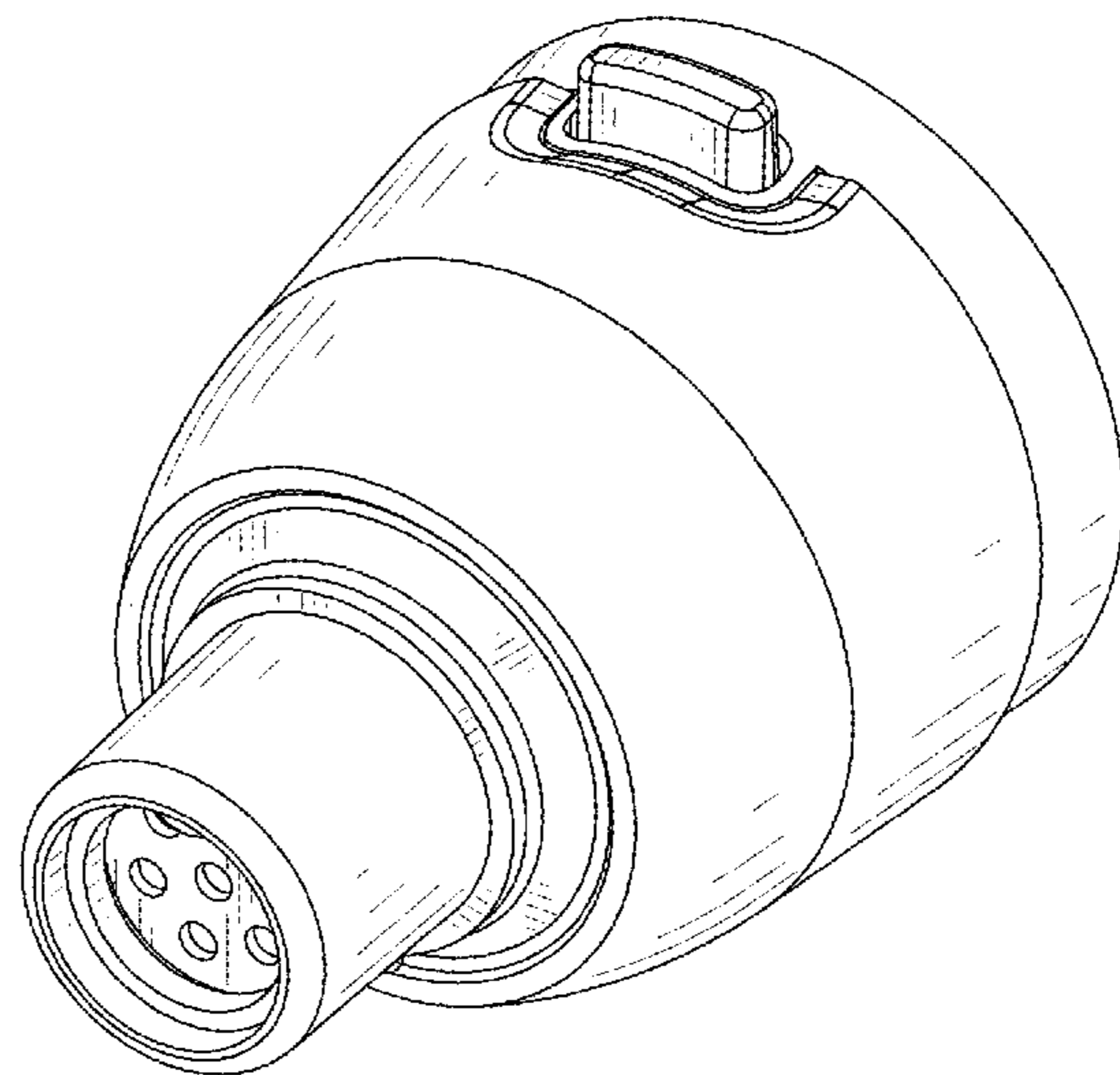
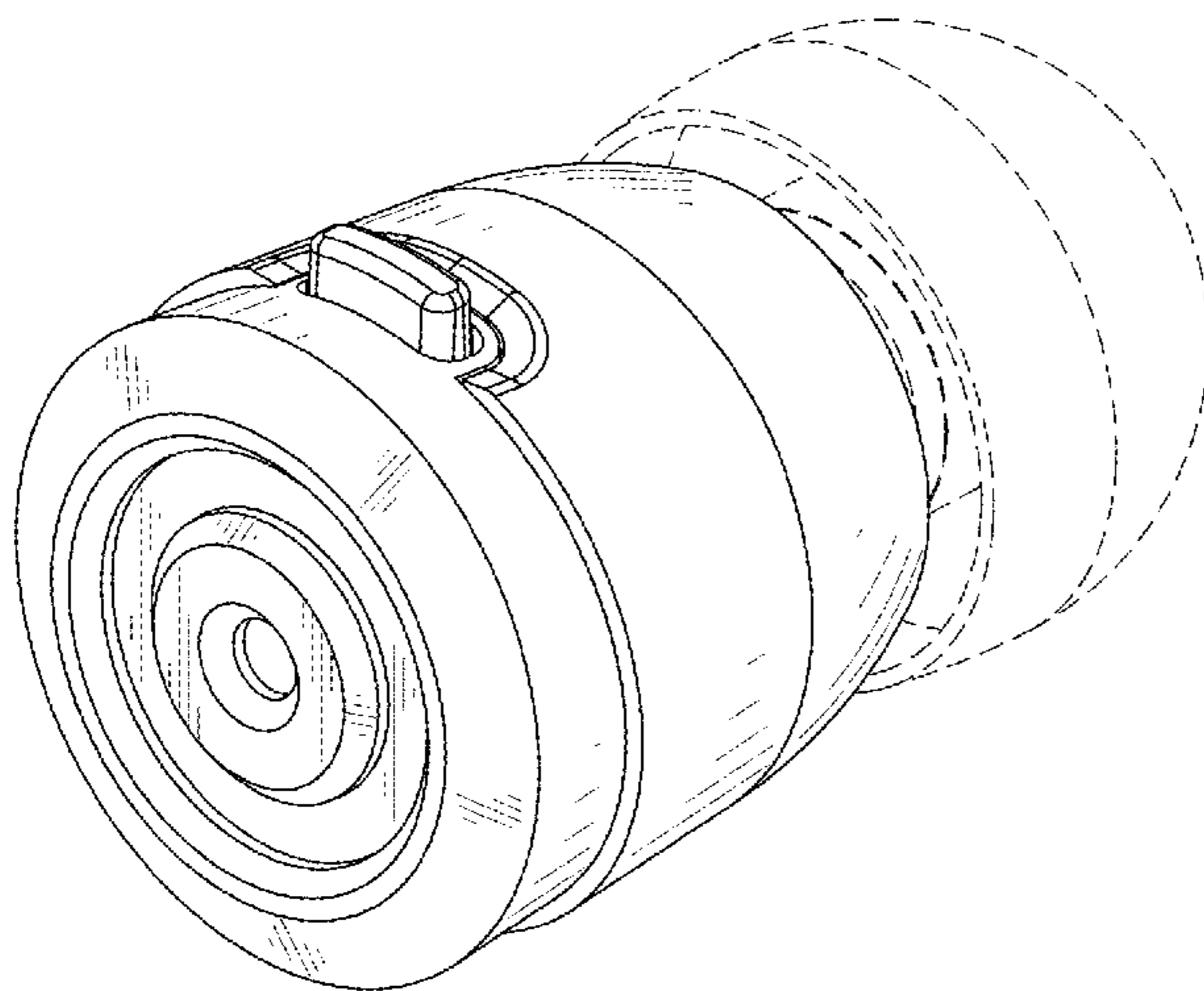
FIG. 6 is a left side elevational view of FIG. 2;

FIG. 7 is a front elevational view of FIG. 2; and,

FIG. 8 is a rear elevational view of FIG. 2.

Broken lines are for illustrating unclaimed portions of the earphone and/or for illustrating an environment related to the claimed design; the broken lines form no part of the claimed design.

**1 Claim, 5 Drawing Sheets**



# US D789,909 S

Page 2

(56)

## References Cited

### U.S. PATENT DOCUMENTS

7,113,611 B2 *	9/2006	Leedom	H04R 25/608	8,731,227 B2 *	5/2014	Hwang	H04R 1/1058
			381/322				181/135
D532,272 S *	11/2006	Chen	D8/77	8,776,801 B2 *	7/2014	McIntosh	A61F 11/08
D573,588 S *	7/2008	Warren	D14/225				128/864
D587,681 S *	3/2009	Yanai	D14/205	8,867,748 B2 *	10/2014	Posa	H04H 20/61
D594,441 S *	6/2009	Lee	D14/205				381/3
D605,628 S *	12/2009	Ando	D14/205	8,983,108 B2 *	3/2015	Ho	H04R 1/1058
D606,971 S *	12/2009	Christopher	D14/205				181/135
D614,168 S *	4/2010	Rogers	D14/206	D726,165 S *	4/2015	Kawaji	D14/223
D621,389 S *	8/2010	Nagayama	D14/223	9,148,717 B2 *	9/2015	Shaffer	H04R 1/1025
D639,280 S *	6/2011	Hayes	D14/223	D740,786 S *	10/2015	Huang	D14/205
D652,817 S *	1/2012	Lee	D14/205	D751,053 S *	3/2016	Shin	D14/205
D654,056 S *	2/2012	Hoggarth	D14/205	D764,445 S *	8/2016	Czaniecki	D14/223
8,275,166 B2 *	9/2012	Wu	H04R 25/00	D772,840 S *	11/2016	Forslund	D14/205
			381/328	2014/0166122 A1 *	6/2014	Goldstein	H04R 1/1041
8,515,103 B2 *	8/2013	Mei	H04R 1/1016				137/223
			381/309	2015/0245127 A1 *	8/2015	Shaffer	H04R 1/1025
8,565,466 B2 *	10/2013	Kuhr	H04R 1/1016				381/380
			381/322	2015/0350762 A1 *	12/2015	Birger	H04R 1/1016
D699,226 S *	2/2014	Yoon	D14/206				381/74
				2016/0073188 A1 *	3/2016	Linden	H04R 1/1025
							381/309

\* cited by examiner

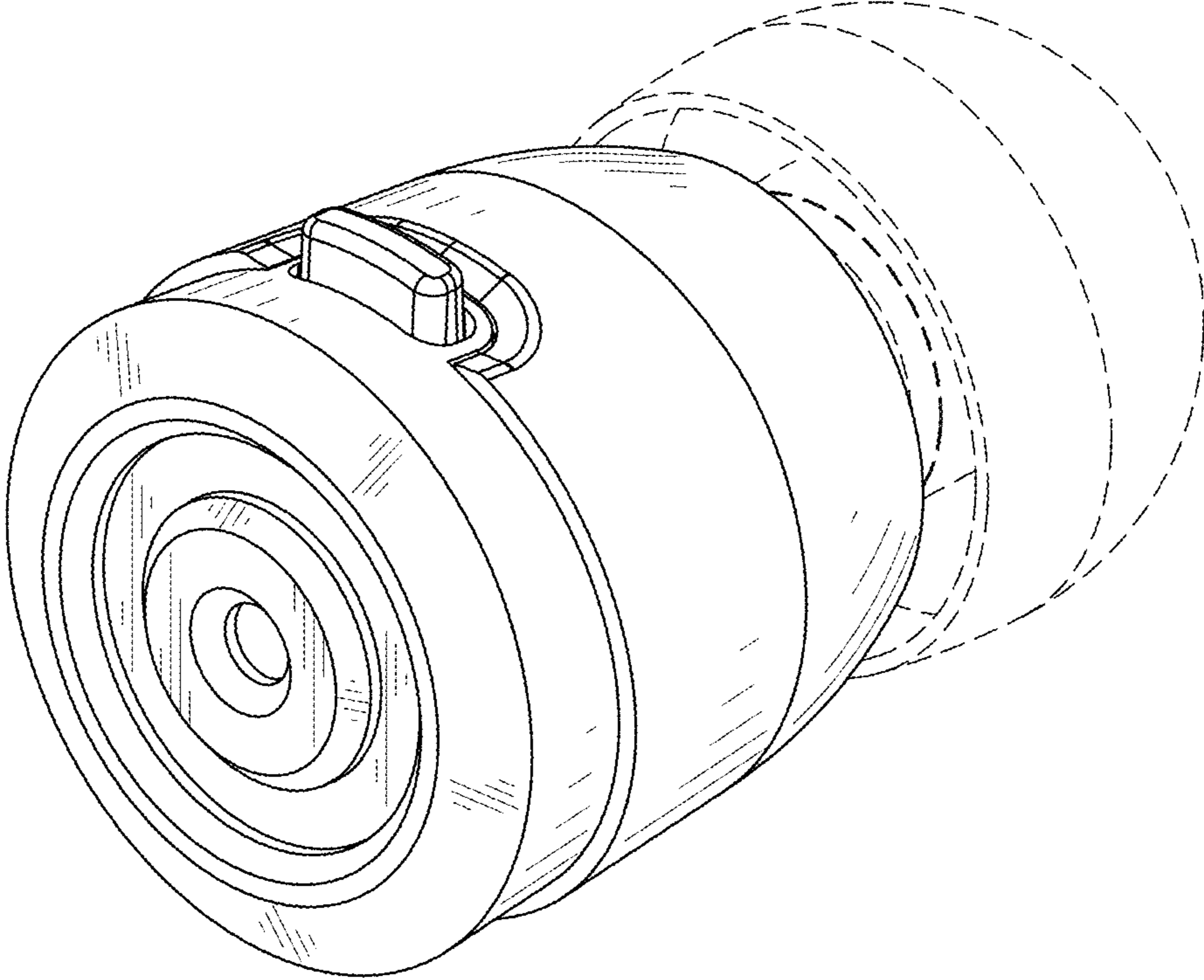


FIG. 1

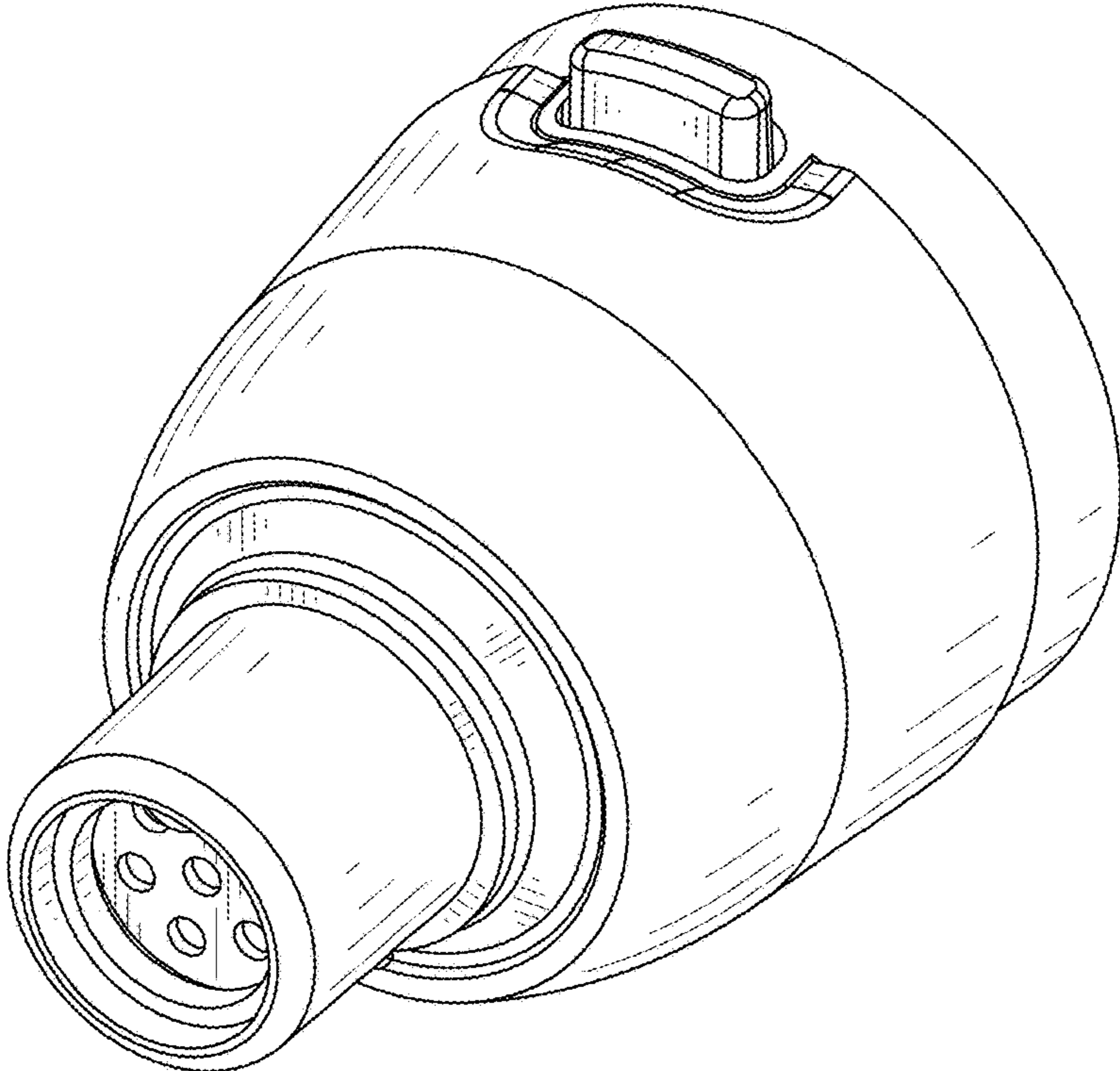


FIG. 2



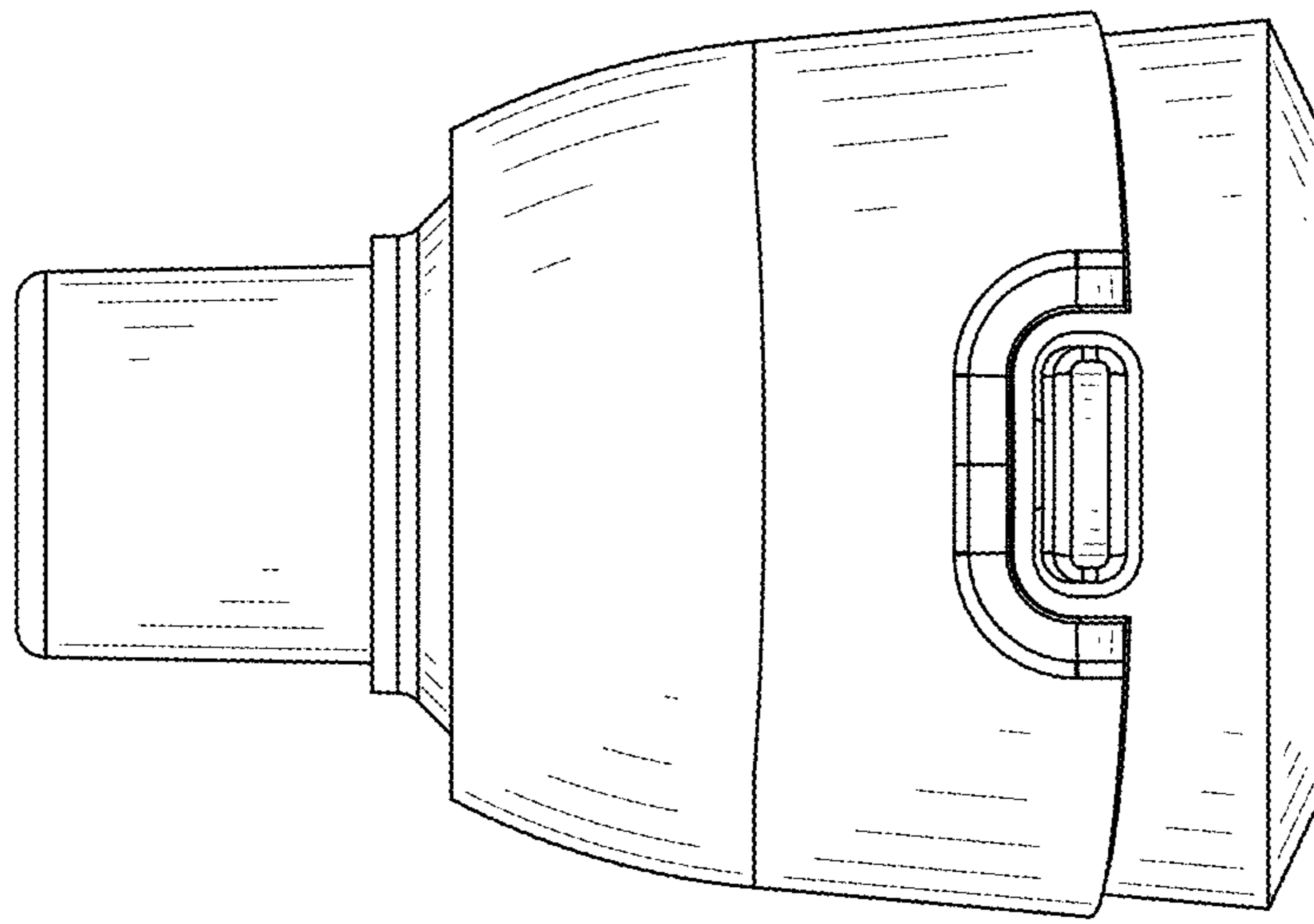


FIG. 3

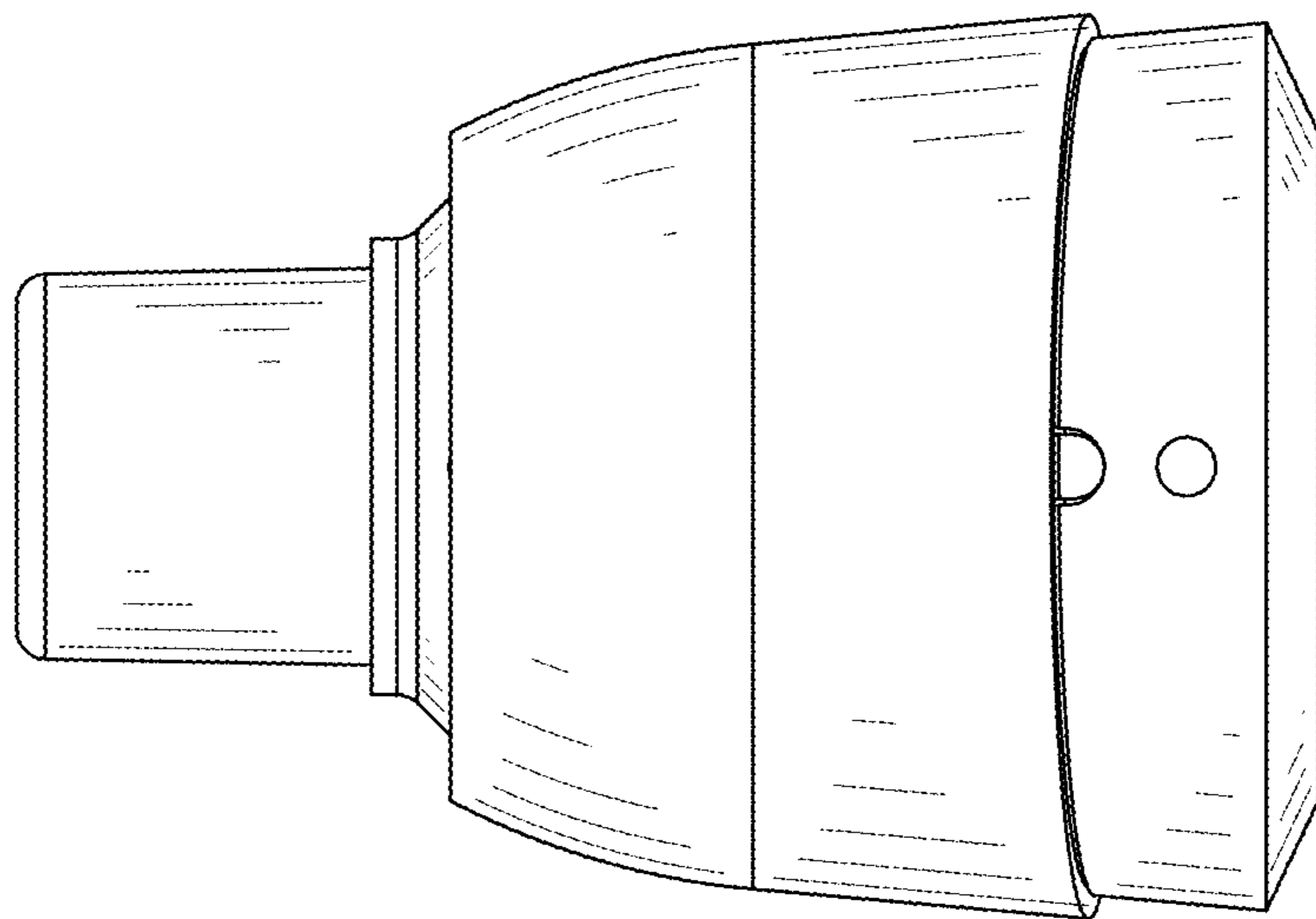


FIG. 4

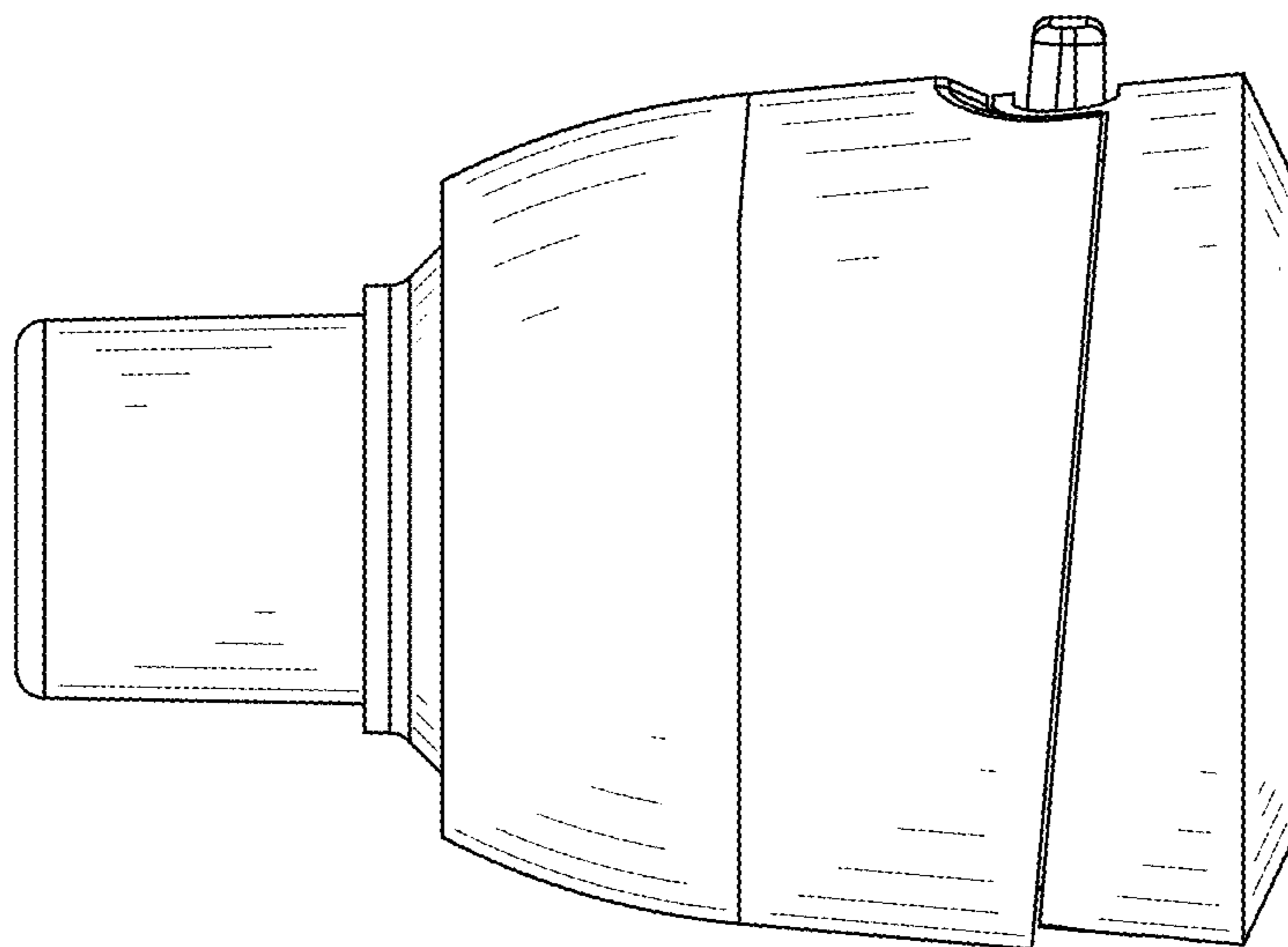


FIG. 5

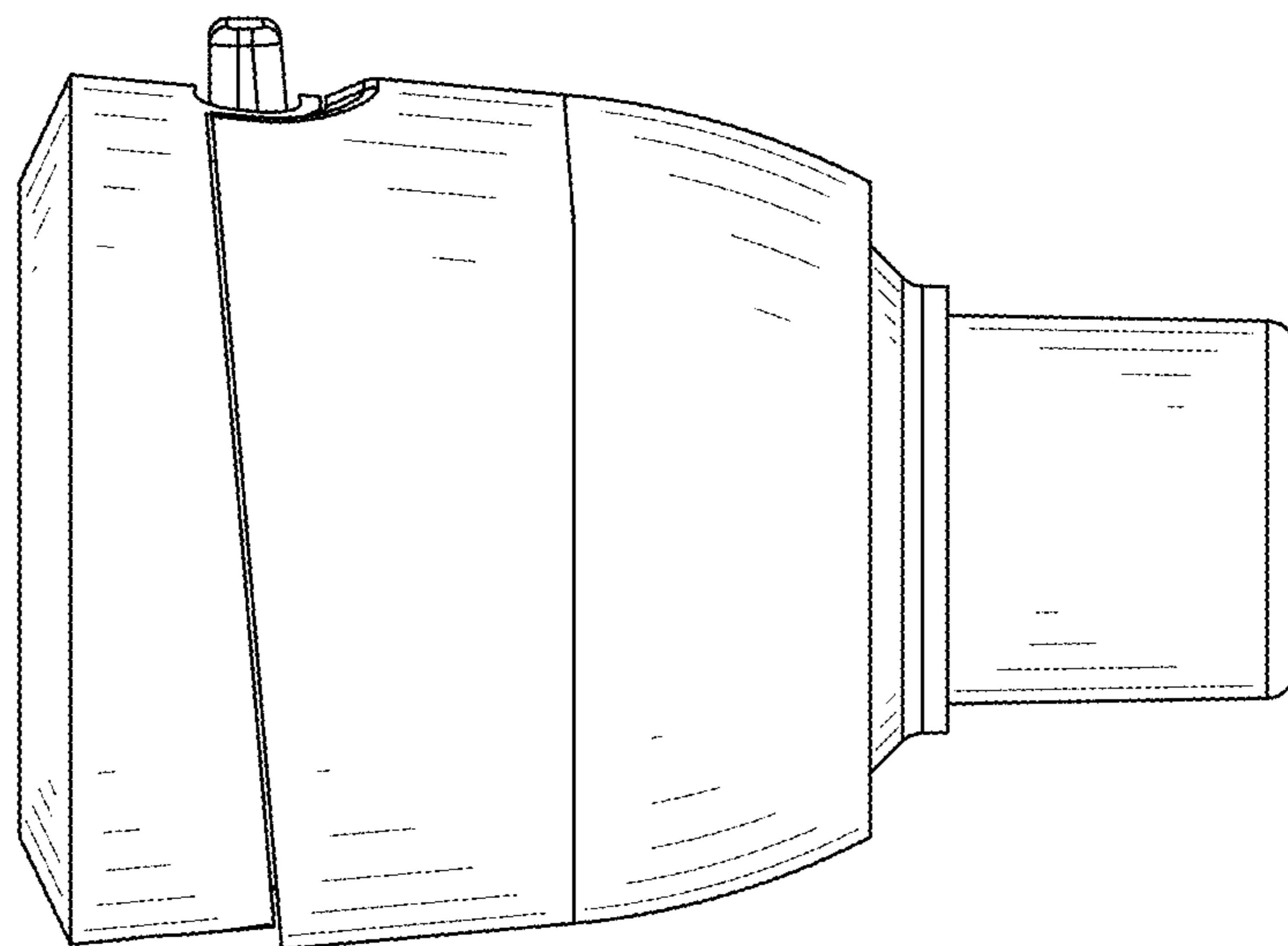


FIG. 6

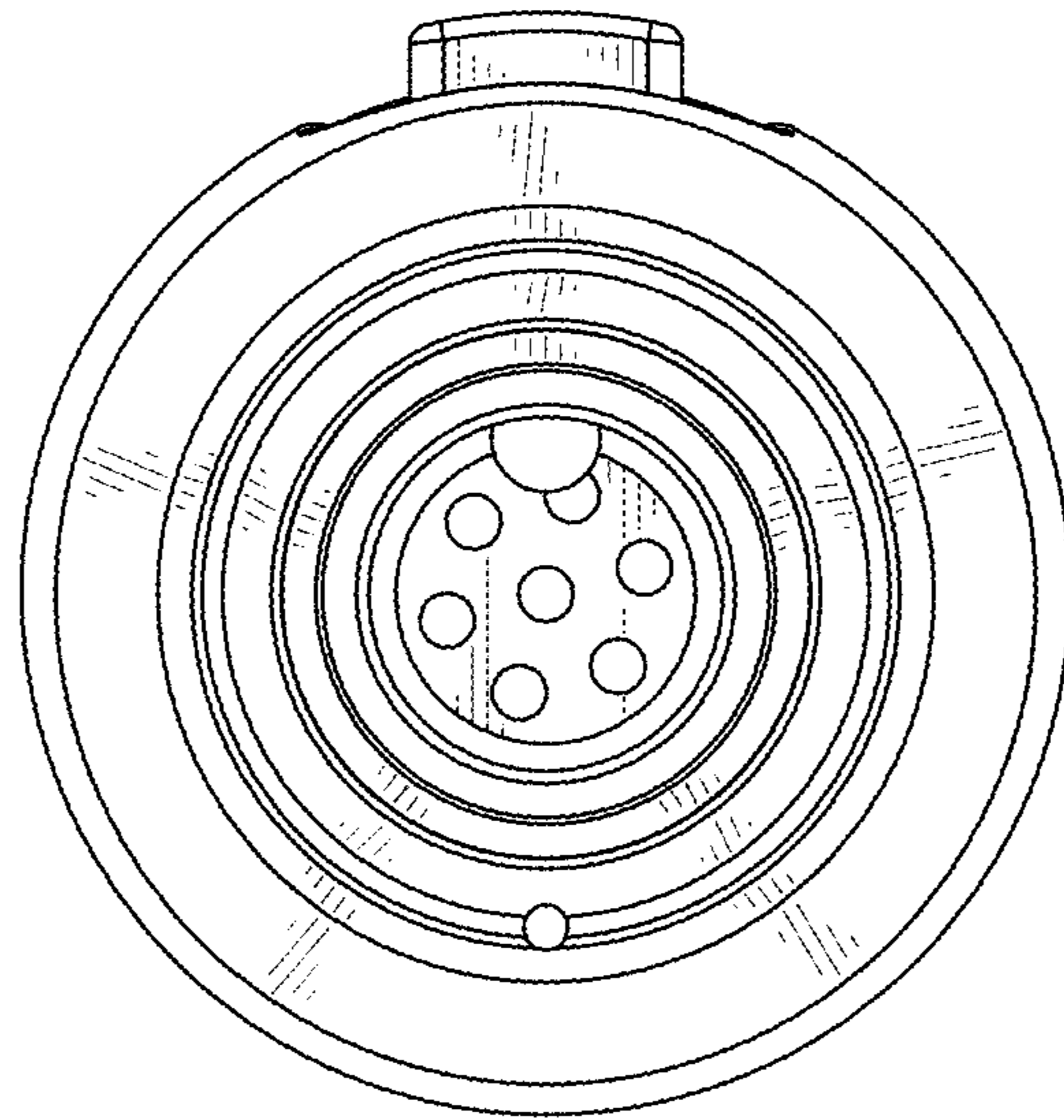


FIG. 7

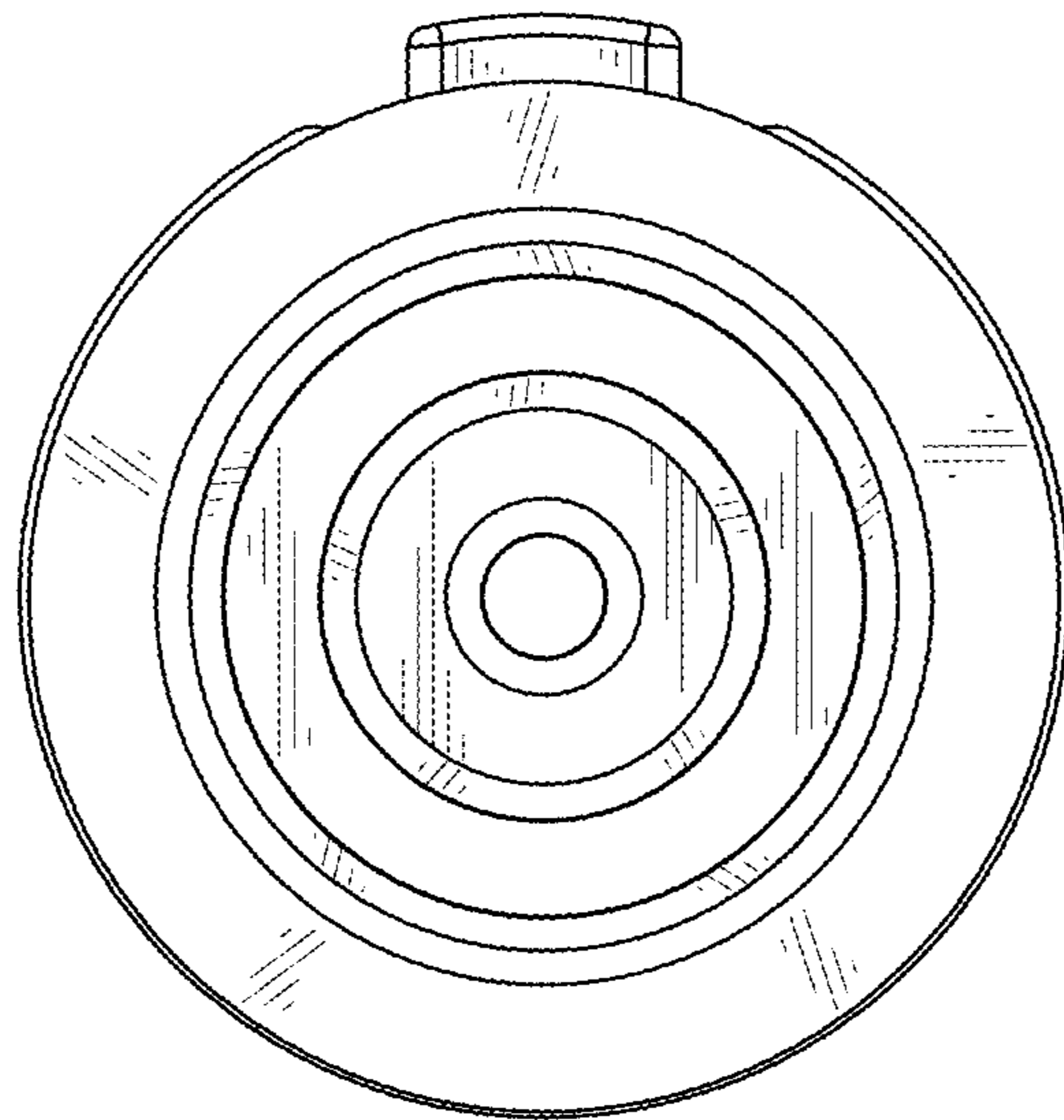


FIG. 8