



US00D789908S

(12) **United States Design Patent**
Givre

(10) **Patent No.:** **US D789,908 S**

(45) **Date of Patent:** **** Jun. 20, 2017**

(54) **LOUDSPEAKER ENCLOSURE**

(71) Applicant: **NEXO, Plailly (FR)**

(72) Inventor: **Christophe Givre, Bussy Saint Georges (FR)**

(73) Assignee: **NEXO, Plailly (FR)**

(**) Term: **15 Years**

(21) Appl. No.: **29/550,292**

(22) Filed: **Dec. 31, 2015**

(30) **Foreign Application Priority Data**

Aug. 7, 2015 (EM) 002751016-0001

(51) **LOC (10) Cl.** **14-01**

(52) **U.S. Cl.**
USPC **D14/214; D14/204; D14/210**

(58) **Field of Classification Search**
USPC D14/168, 188, 194, 195, 196, 204, 210,
D14/211, 212, 213, 214, 215, 216;
D26/26, 51, 52

CPC B60R 11/0217; G06F 1/1688; G10K 9/22;
G10K 11/004; H03F 1/327; H04M 1/03;
H04M 1/035; H04N 5/642; H04N
21/4852; H04S 3/00; H04S 7/30; H04R
1/02; H04R 1/06; H04R 1/021; H04R
1/025; H04R 1/026; H04R 1/028; H04R
1/105; H04R 1/323; H04R 1/403; H04R
1/2803; H04R 1/2834; H04R 5/02; H04R
7/20; H04R 9/06; H04R 9/025; H04R
2201/021; H04R 2400/00; H04R 2400/07;
H04R 2499/11; H04R 2499/13; H04R
2499/15

See application file for complete search history.

(56) **References Cited**

U.S. PATENT DOCUMENTS

D259,932 S * 7/1981 Hawkins D14/212
D295,857 S * 5/1988 Nagashima D14/210

D317,919 S * 7/1991 Kawanabe D14/210
D400,532 S * 11/1998 Hattori D14/168
D531,986 S * 11/2006 Azumi D14/214
D537,070 S * 2/2007 Warden D14/214
D590,370 S * 4/2009 Yuzawa D14/168
D692,863 S * 11/2013 Givre D14/214
D715,258 S * 10/2014 Osborn D14/212
D734,300 S * 7/2015 Fujioka D14/214
D739,848 S * 9/2015 Brown D14/210

(Continued)

OTHER PUBLICATIONS

NEXO ID Series Speakers and Processors, announced Jun. 2, 2016 [online], [site visited Mar. 1, 2017]. Available from internet, URL: <<http://blog.muzeekworld.com/2016/06/nexo-id-series-speakers-and-processors/>>.*

(Continued)

Primary Examiner — Keli L Hill

Assistant Examiner — Karra S Johnson

(74) *Attorney, Agent, or Firm* — Young & Thompson

(57) **CLAIM**

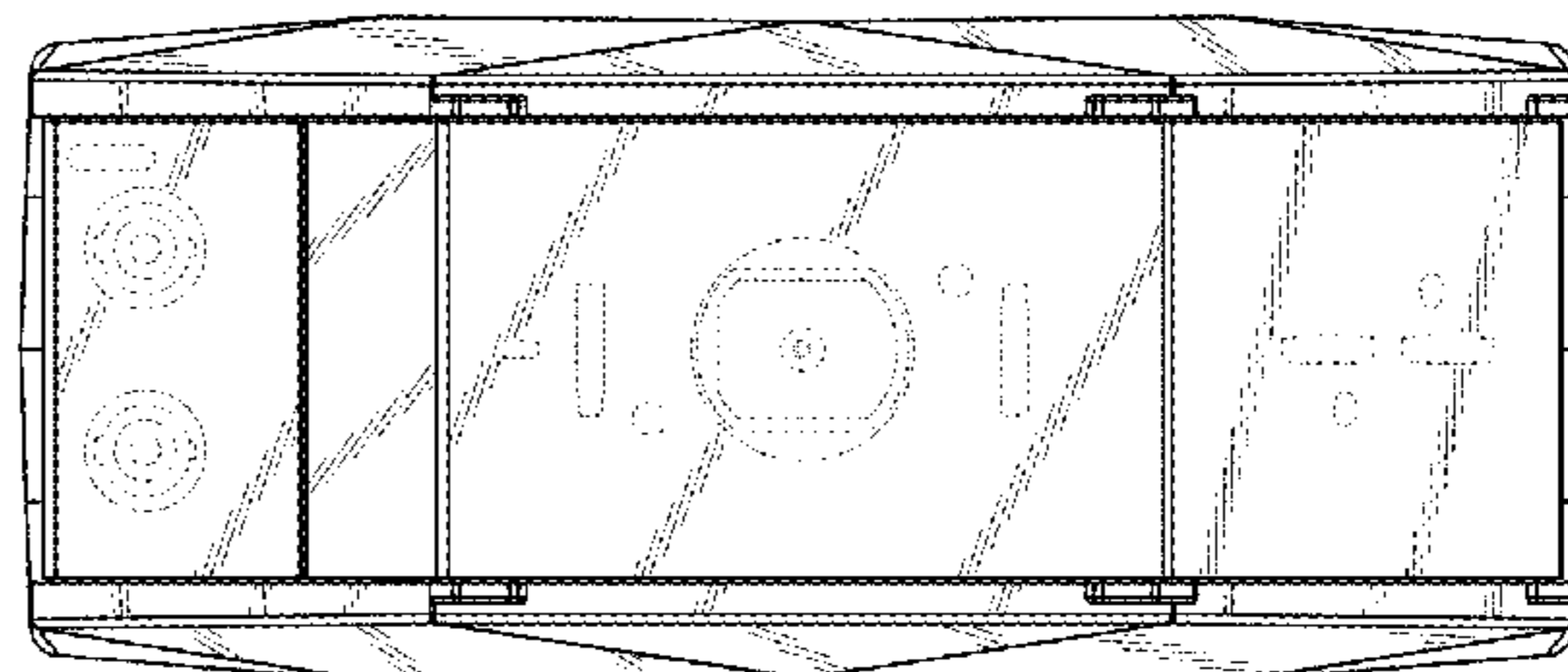
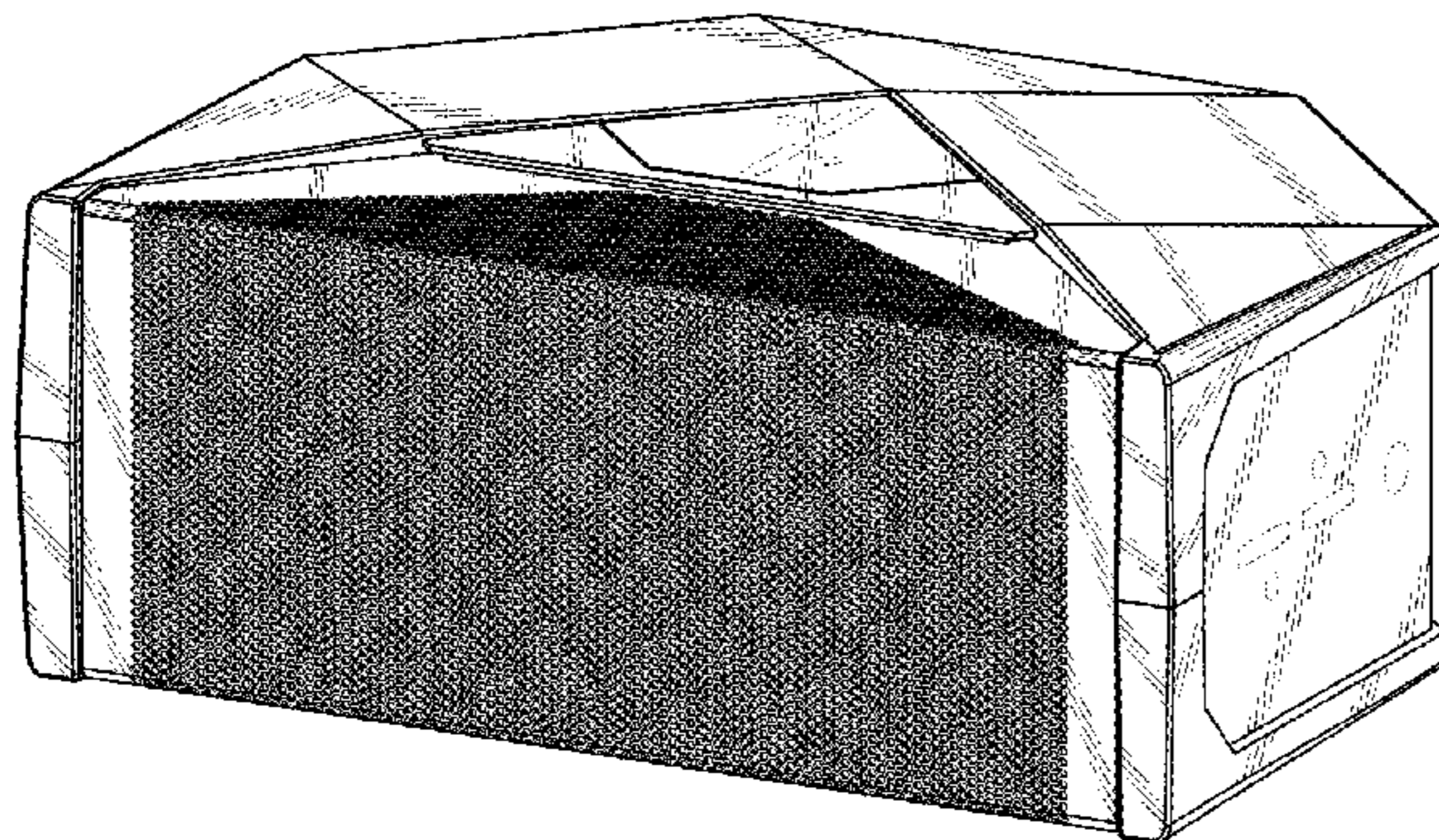
The ornamental design for a loudspeaker enclosure, as shown and described.

DESCRIPTION

FIG. 1 is a front, left side, and top perspective view of a loudspeaker enclosure showing the new design; FIG. 2 is a front elevation view thereof; FIG. 3 is a rear elevation view thereof; FIG. 4 is a right side elevation view thereof; FIG. 5 is a left side elevation view thereof; FIG. 6 is a top plan view thereof; and, FIG. 7 is a bottom plan view thereof.

The broken lines shown in the figures represent unclaimed portions of the loudspeaker enclosure and form no part of the claimed design.

1 Claim, 7 Drawing Sheets



(56)

References Cited

U.S. PATENT DOCUMENTS

D742,854 S * 11/2015 Warden D14/204
D769,222 S * 10/2016 Andrews D14/210

OTHER PUBLICATIONS

NEXO Previews New ID Series Compact Loudspeakers, announced Apr. 24, 2015 [online], [site visited Mar. 1, 2017]. Available from internet, URL: <<http://www.audioxpress.com/article/NEXO-Previews-New-ID-Series-Compact-Loudspeakers>>.*

* cited by examiner

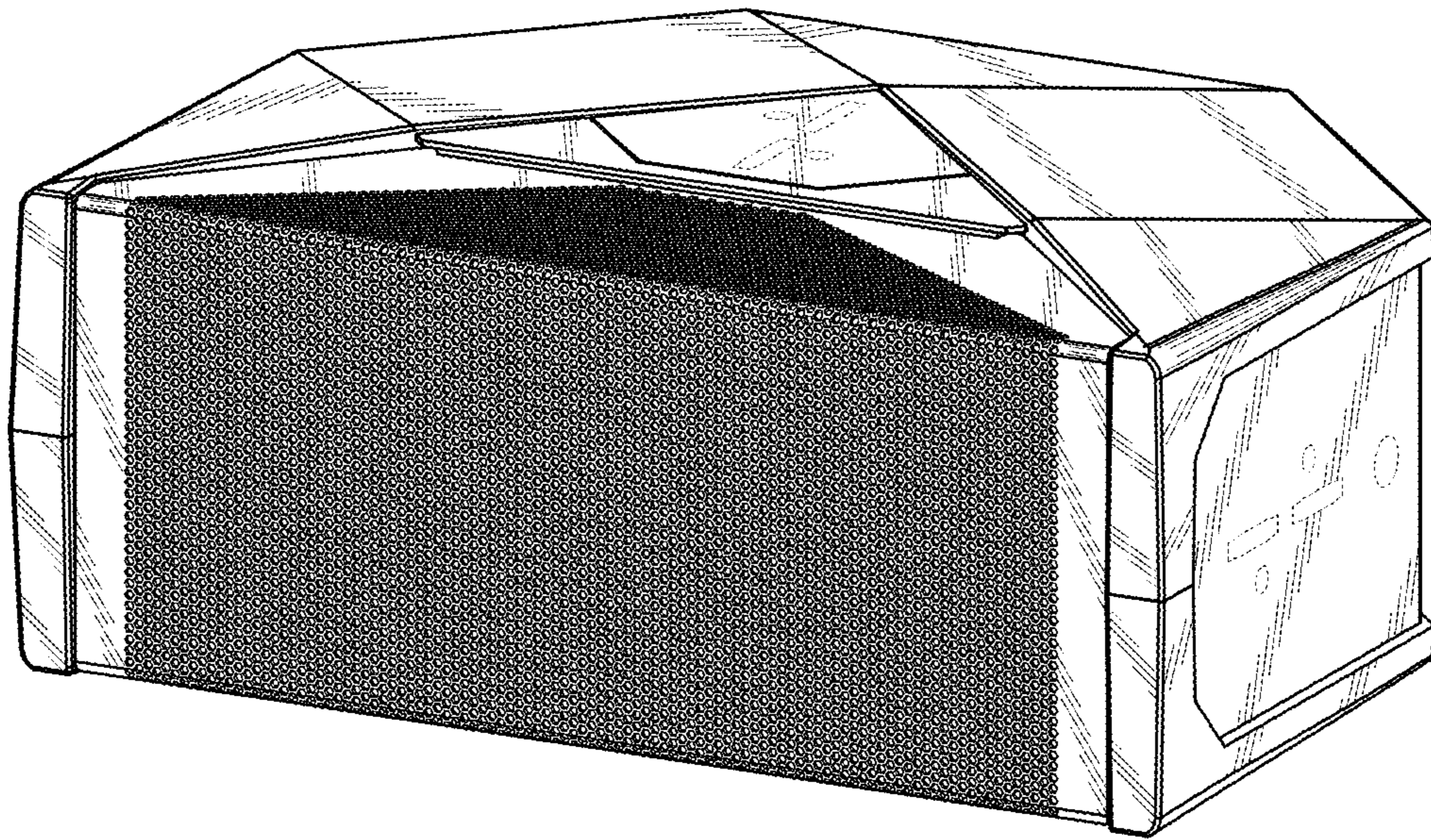


Fig. 1

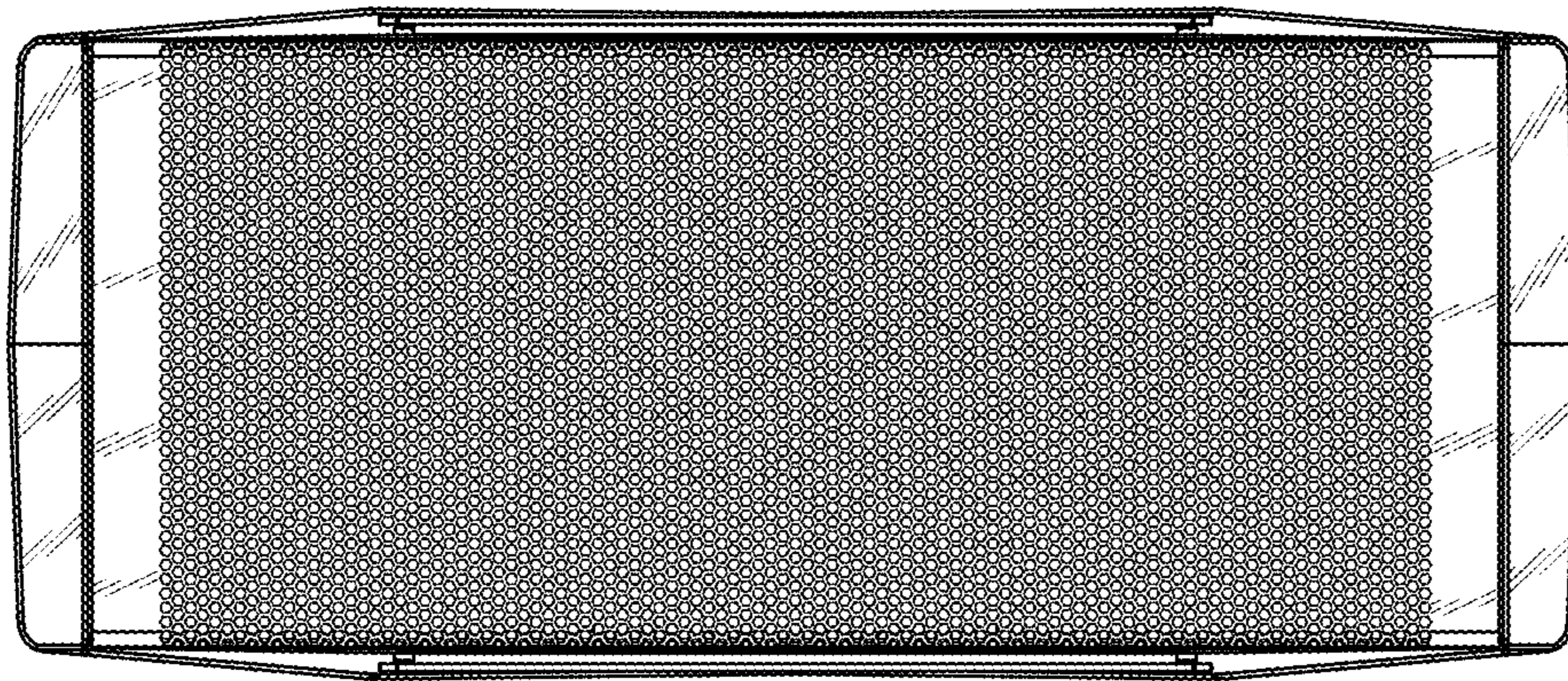


Fig. 2

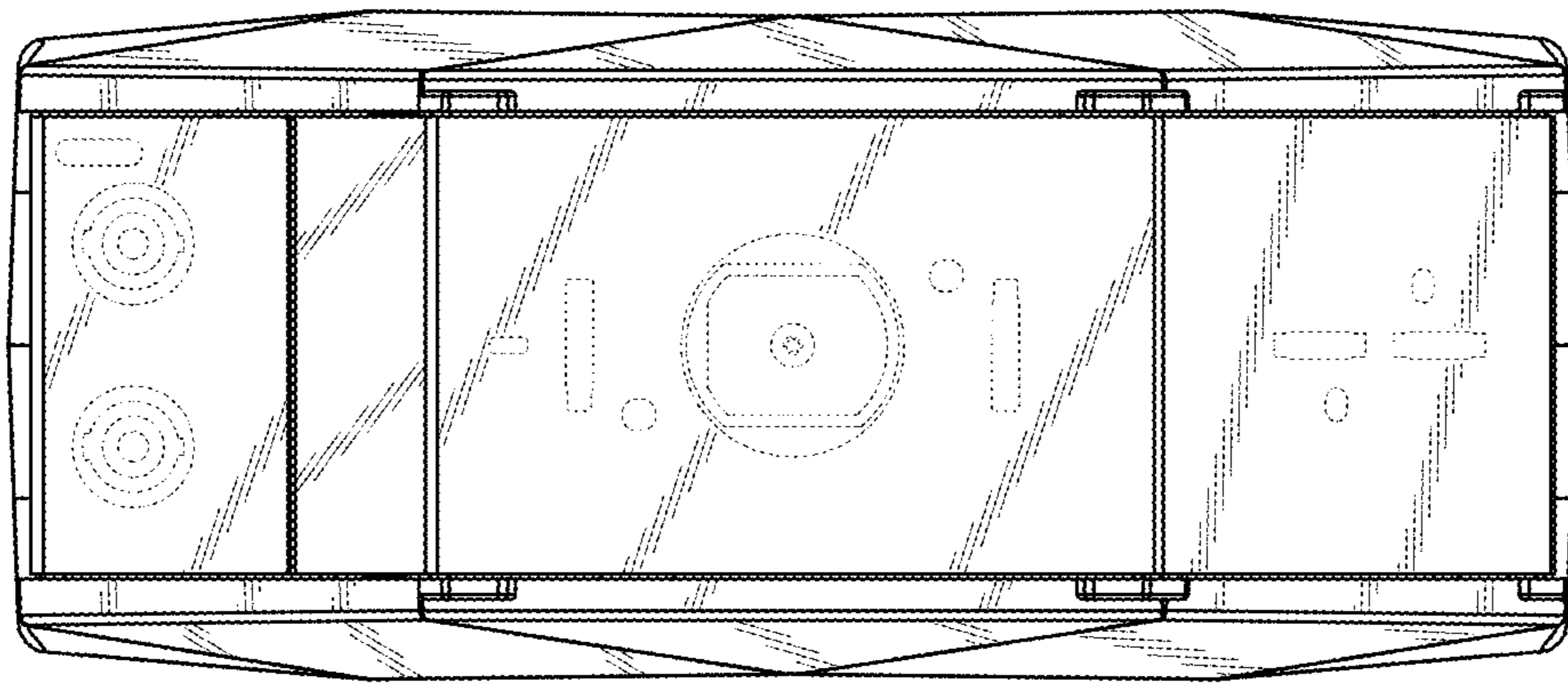


Fig. 3

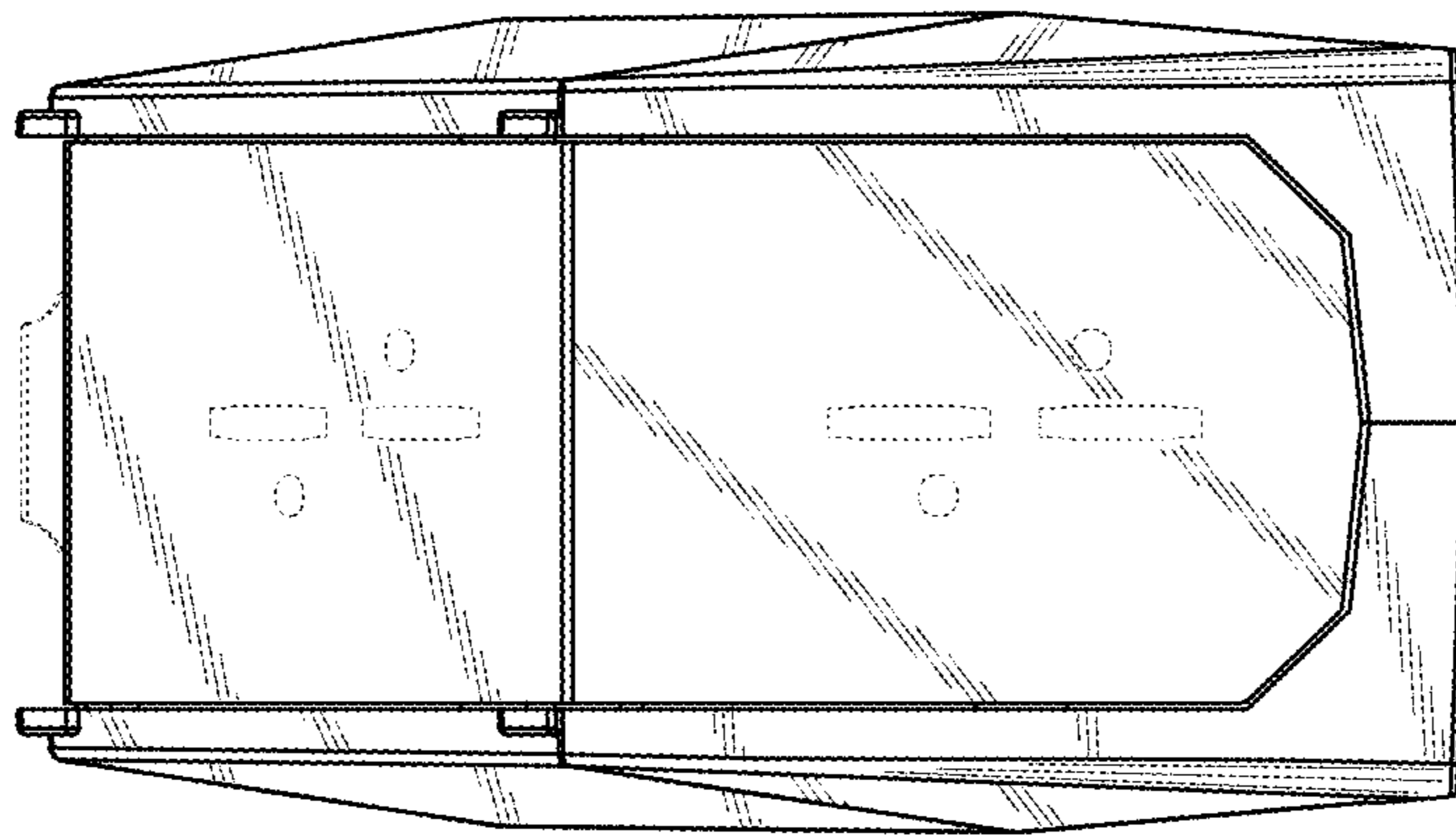


Fig. 4

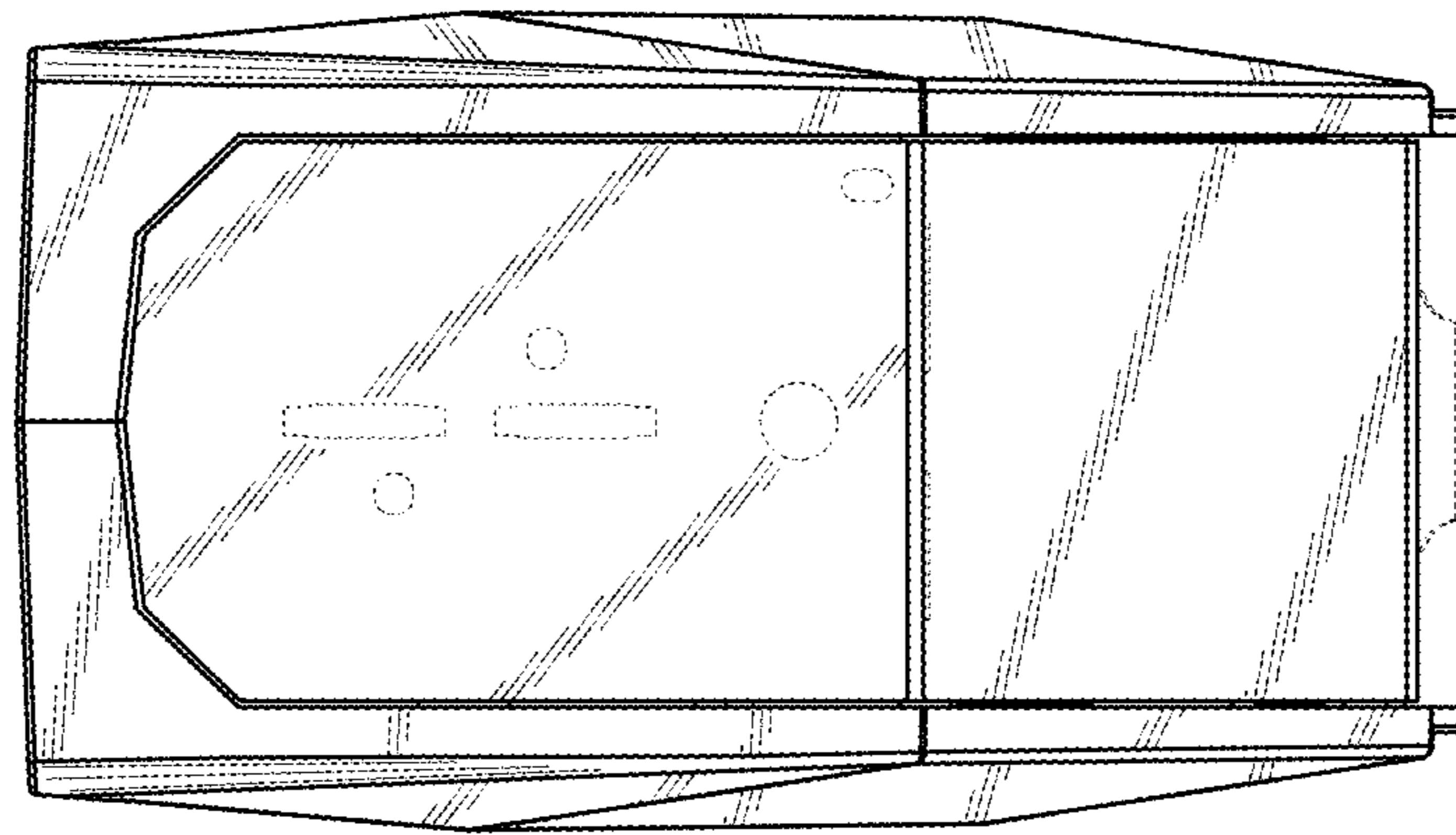


Fig. 5

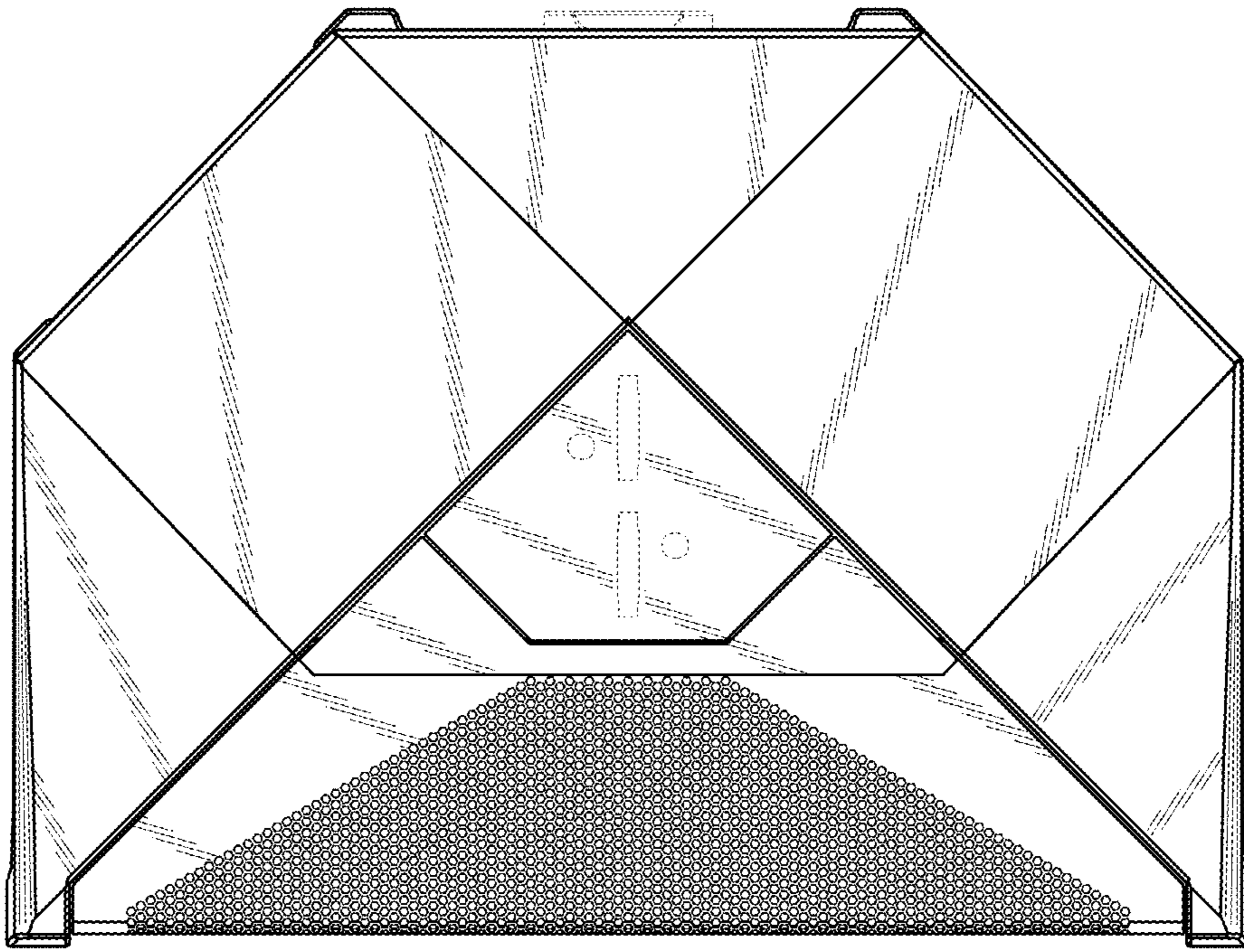


Fig. 6

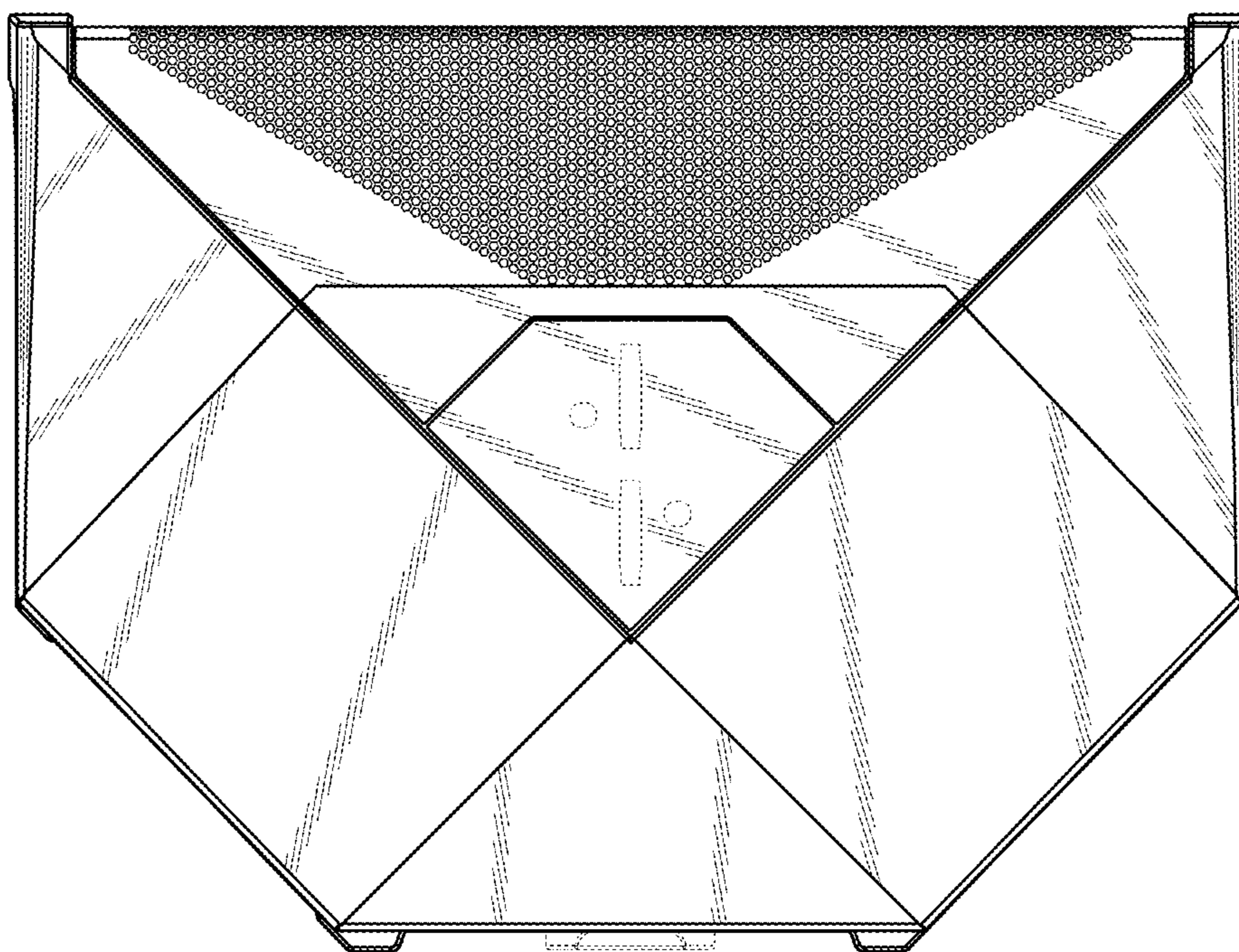


Fig. 7