



US00D789907S

(12) **United States Design Patent**
Summerson et al.

(10) **Patent No.:** **US D789,907 S**
(45) **Date of Patent:** **** Jun. 20, 2017**

(54) **SPEAKER**

(71) Applicant: **Bose Corporation**, Framingham, MA
(US)

(72) Inventors: **Paul Summerson**, Berlin, MA (US);
Richard J. Carbone, Sterling, MA
(US)

(73) Assignee: **Bose Corporation**, Framingham, MA
(US)

(**) Term: **15 Years**

(21) Appl. No.: **29/547,410**

(22) Filed: **Dec. 3, 2015**

(51) **LOC (10) Cl.** **14-01**

(52) **U.S. Cl.**
USPC **D14/214**; D14/204; D14/210

(58) **Field of Classification Search**
USPC D14/168, 188, 194, 195, 196, 204, 210,
D14/211, 212, 213, 214, 215, 216
CPC B60R 11/0217; G06F 1/1688; G10K 9/22;
G10K 11/004; H03F 1/327; H04M 1/03;
H04M 1/035; H04N 5/642; H04N
21/4852; H04S 3/00; H04S 7/30; H04R
1/02; H04R 1/06; H04R 1/021; H04R
1/025; H04R 1/026; H04R 1/028; H04R
1/105; H04R 1/323; H04R 1/403; H04R
1/2803; H04R 1/2834; H04R 5/02; H04R
7/20; H04R 9/06; H04R 9/025; H04R
2201/021; H04R 2400/00; H04R 2400/07;
H04R 2499/11; H04R 2499/13; H04R
2499/15

See application file for complete search history.

(56) **References Cited**

U.S. PATENT DOCUMENTS

D278,811 S * 5/1985 White D14/211
D361,071 S * 8/1995 Mark D14/211
D526,640 S * 8/2006 Chin D14/188
D538,786 S 3/2007 Carbone

D571,356 S * 6/2008 Smith D14/168
D646,665 S * 10/2011 Iijima D14/214
D659,678 S 5/2012 Miller
D690,280 S * 9/2013 Schul D14/168
D707,202 S * 6/2014 McManigal D14/214
D724,563 S * 3/2015 Kim D14/214
D727,875 S * 4/2015 Park D14/214
D754,101 S * 4/2016 McManigal D14/214
D754,102 S * 4/2016 Sun D14/214
D755,154 S * 5/2016 Paterson D14/204

(Continued)

OTHER PUBLICATIONS

Cedia 2016 (pp. 8-10), announced Sep. 19, 2016 [online], [site visited Feb. 2, 2017]. Available from internet, URL: <http://www.highdefdigest.com/news/show/games/impressions/ultra-hd-bluray/sony-ubpx100es/KEF/blade-two/THX/ci/Atmos/dtsx/modulus/Monoprice/monolith-m1060/Integra/drxr1/bose/soundtouch-300/lifestyle-650/omnijewel-speakers/Contro14/lg-sign.*>

(Continued)

Primary Examiner — Keli L Hill

Assistant Examiner — Karra S Johnson

(74) *Attorney, Agent, or Firm* — Bose Corporation

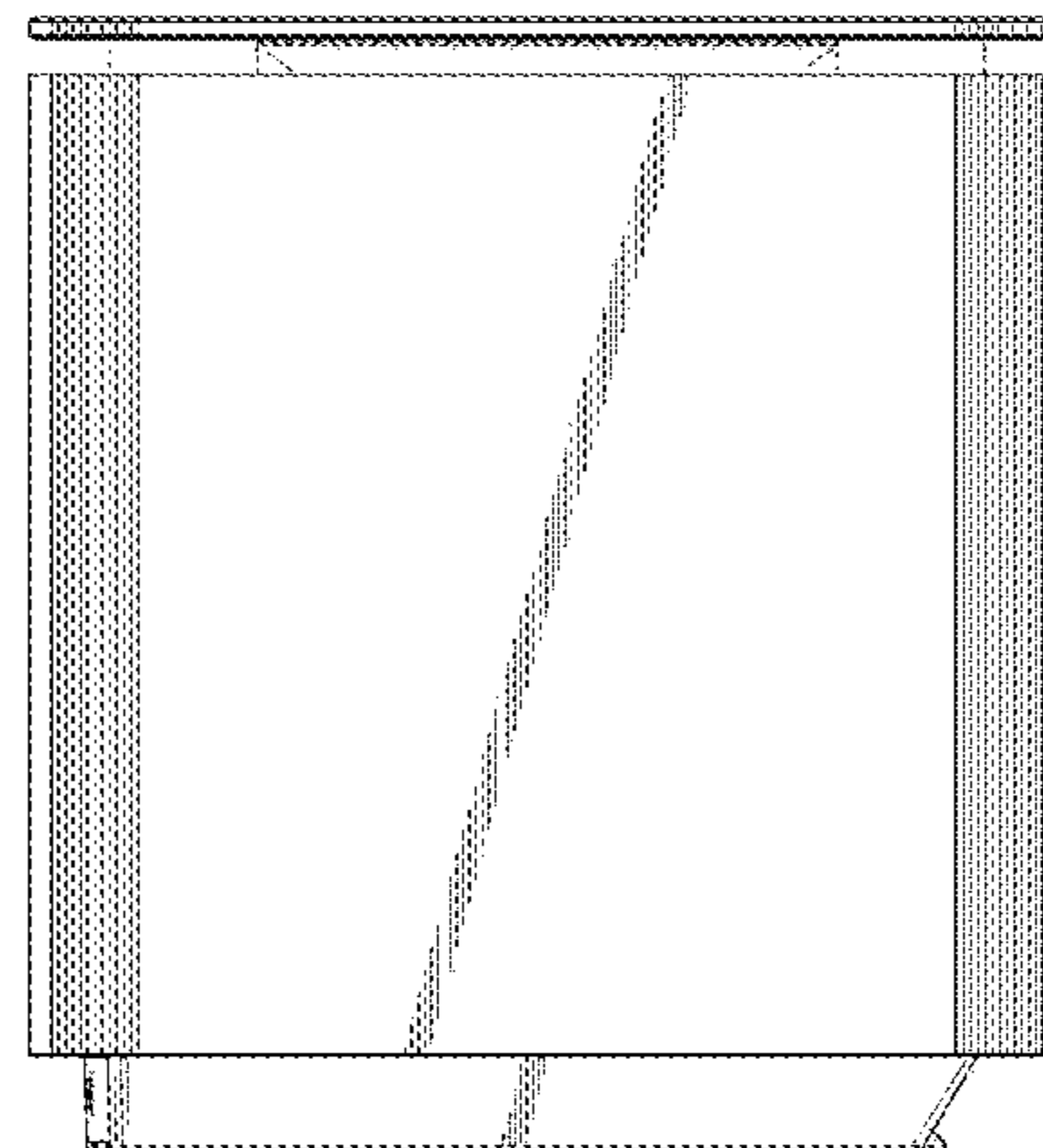
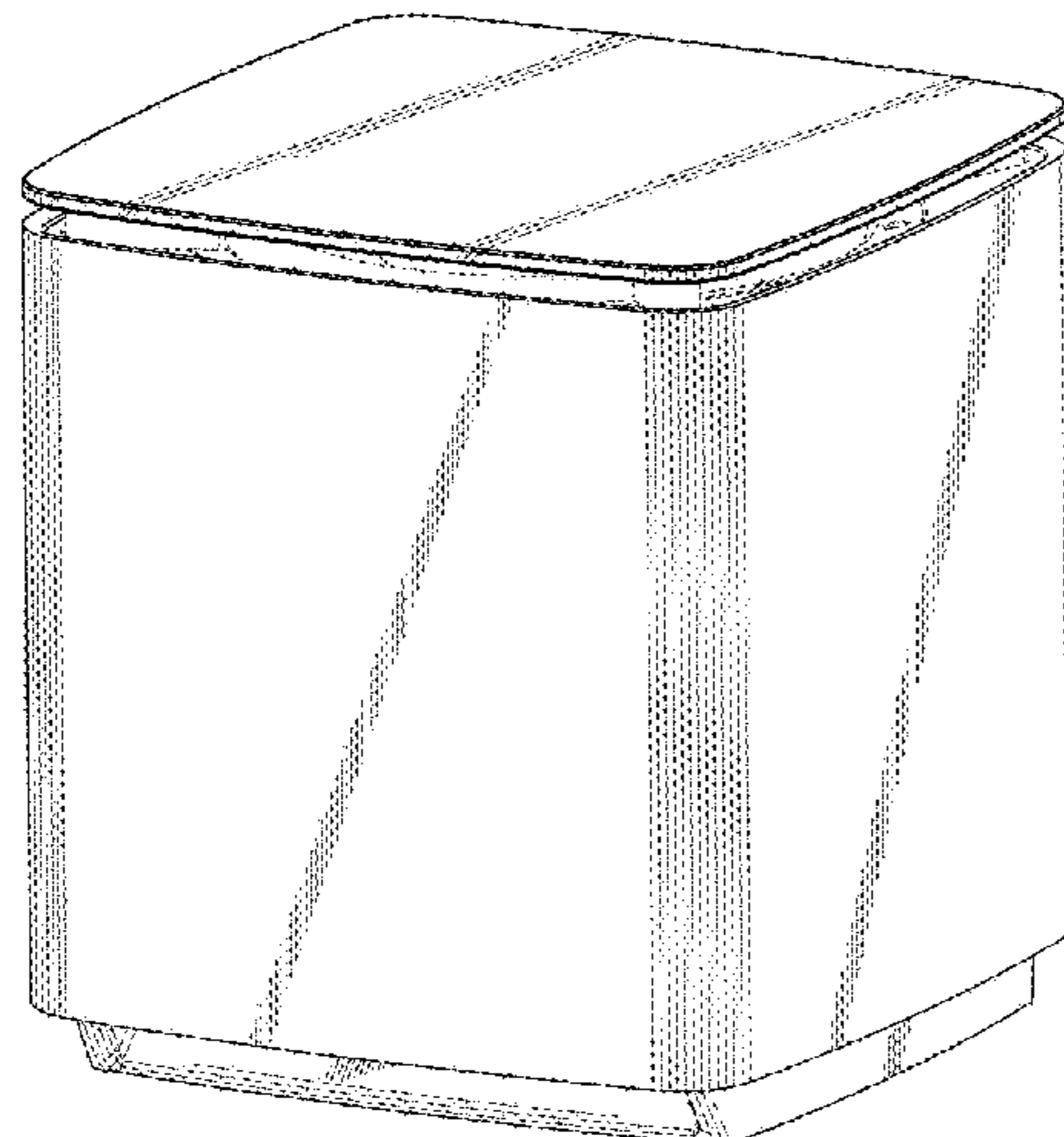
(57) **CLAIM**

The ornamental design for a speaker, substantially as shown and described.

DESCRIPTION

FIG. 1 is a perspective view of a speaker as seen from the front, top and side;
FIG. 2 is a front view thereof;
FIG. 3 is a rear view thereof;
FIG. 4 is a top view thereof;
FIG. 5 is a bottom view thereof;
FIG. 6 is an opposite side view thereof; and,
FIG. 7 is a side view thereof.
The dotted line portions of the drawings represent environmental structure only and form no part of the claimed design.

1 Claim, 7 Drawing Sheets



(56)

References Cited

U.S. PATENT DOCUMENTS

D760,691 S * 7/2016 Paslawski D14/214

OTHER PUBLICATIONS

Wireless Soundbar and Surround Sound Systems, announced Sep. 13, 2016 [online], [site visited Feb. 2, 2017]. Available from internet, URL: <<http://www.businesswire.com/news/home/20160913006105/en/Bose-Introduces-Wireless-Soundbar-Surround-Sound-Systems>>.*

Bose Lifestyle 650, announced Oct. 15, 2016 [online], [site visited Feb. 2, 2017]. Available from internet, URL: <https://www.amazon.com/Bose-Lifestyle-Entertainment-System-Black/dp/B01KZH0W3I/ref=cm_cr_ar_p_d_product_top?ie=UTF8>.*

Acoustimass 300 wireless bass module, announced Oct. 2, 2016 [online], [site visited Feb. 2, 2017]. Available from internet, URL: <https://www.bose.com/en_us/products/speakers/home_theater/acoustimass-300.html#v=am300_wireless_bass_module_black>.*

* cited by examiner

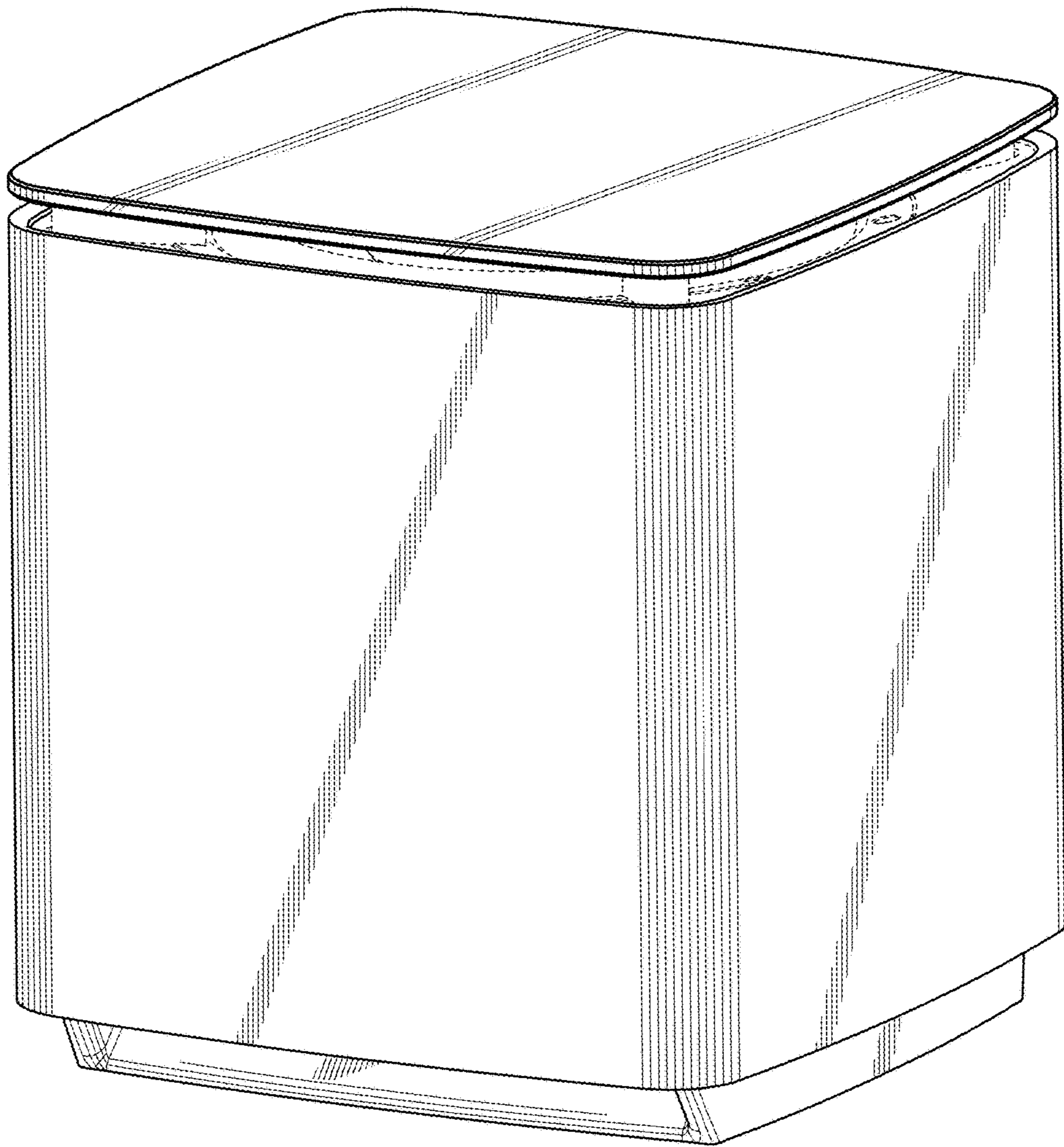


FIG. 1

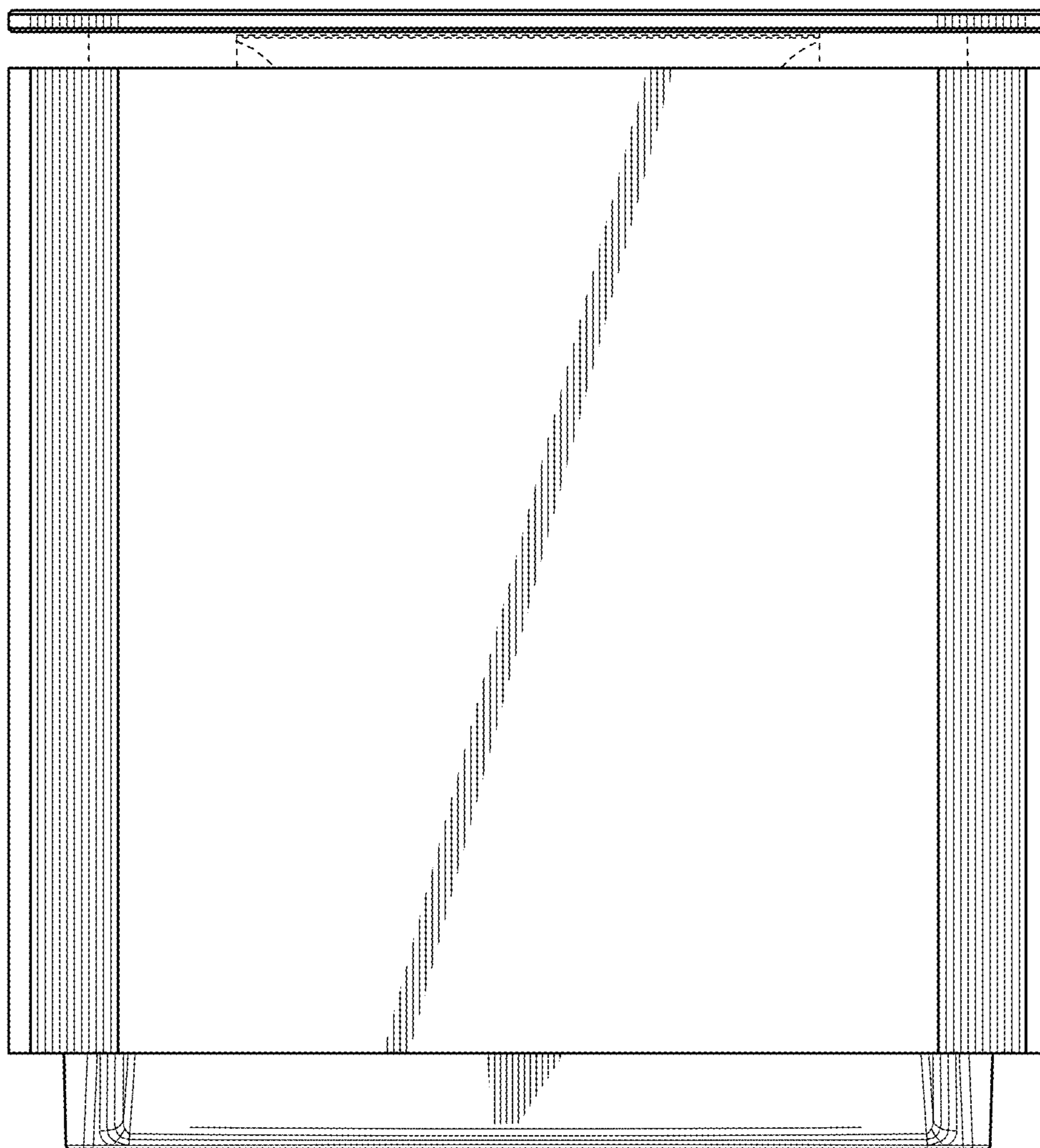


FIG. 2

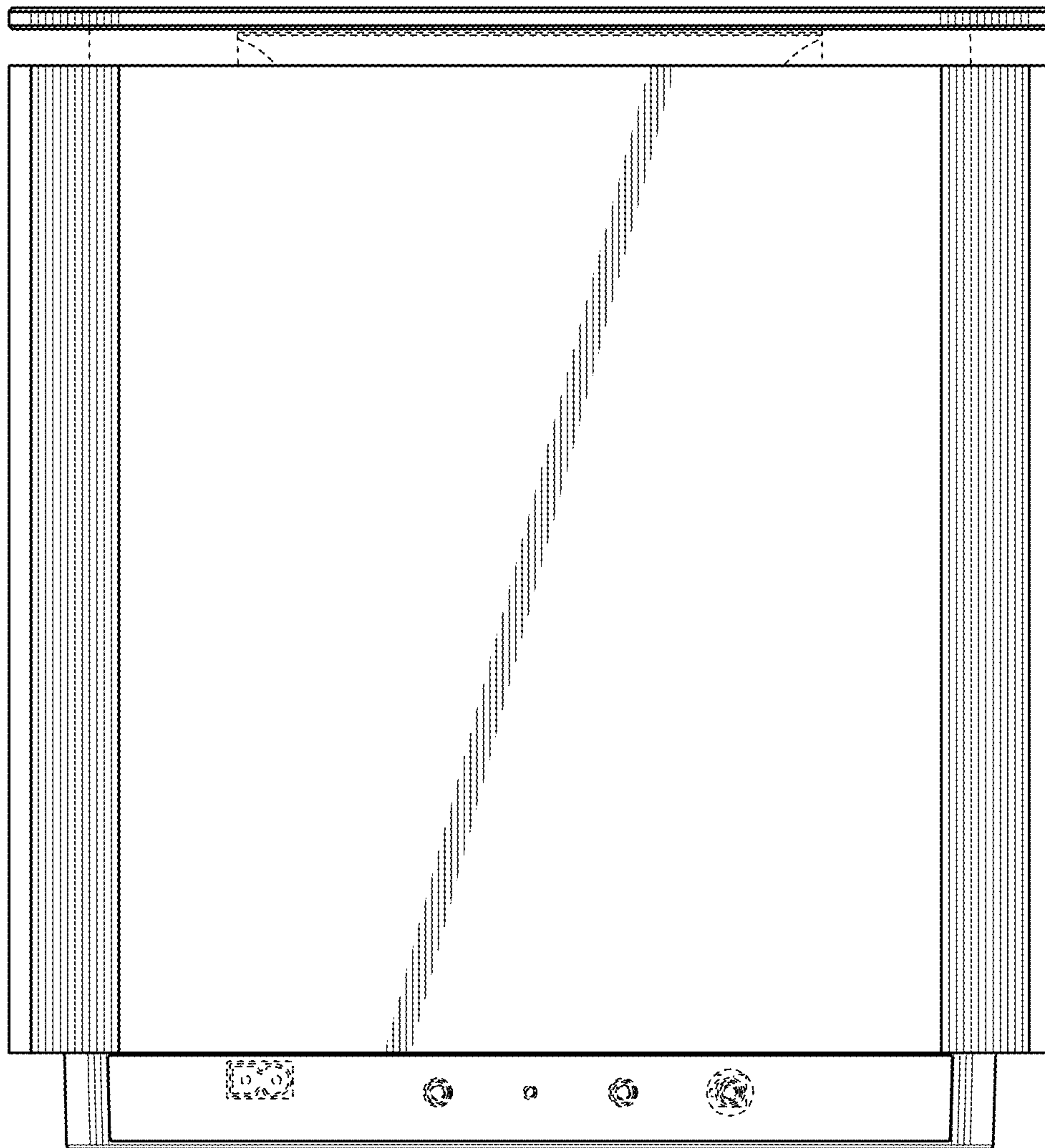


FIG. 3

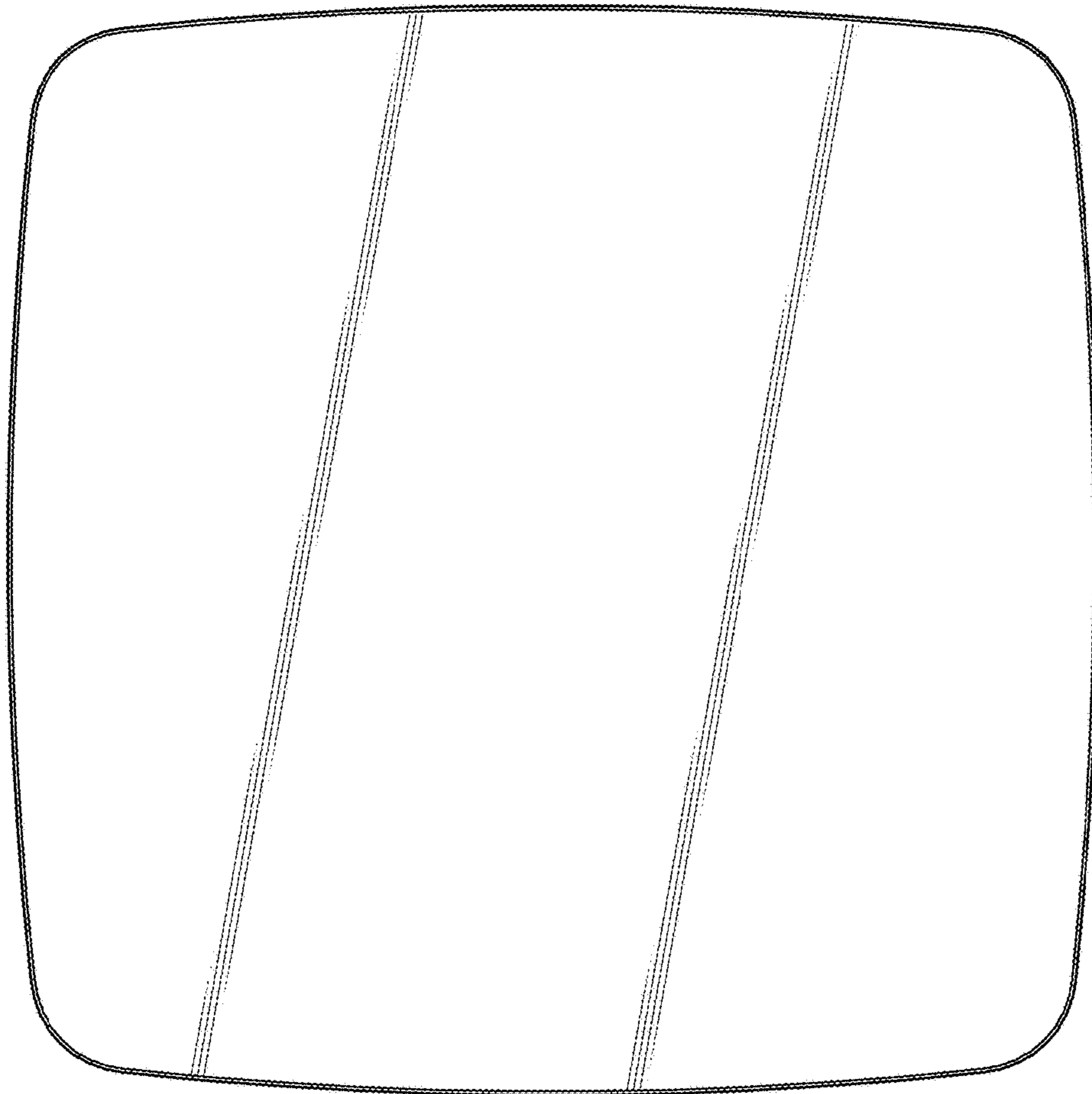


FIG. 4

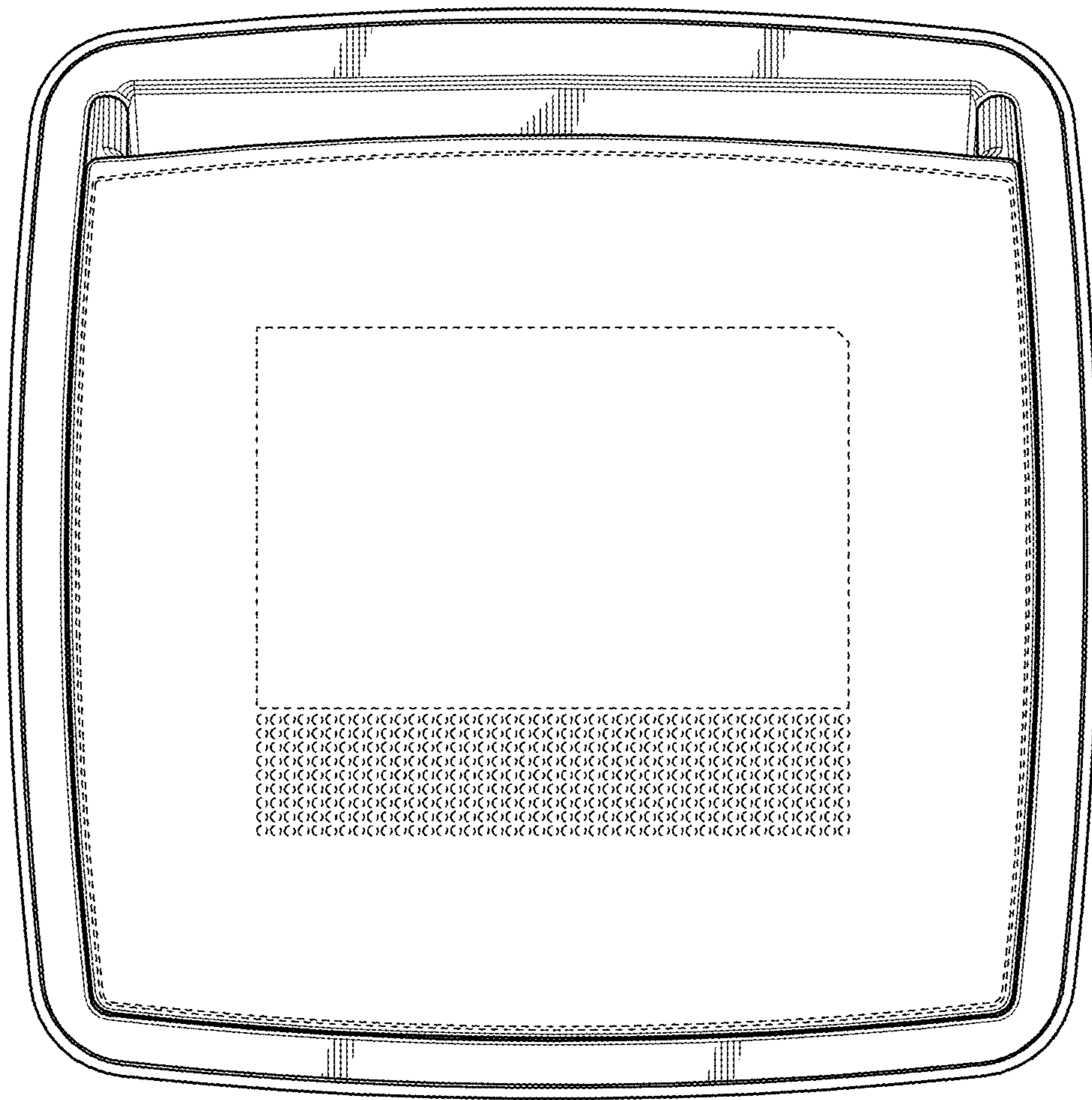


FIG. 5

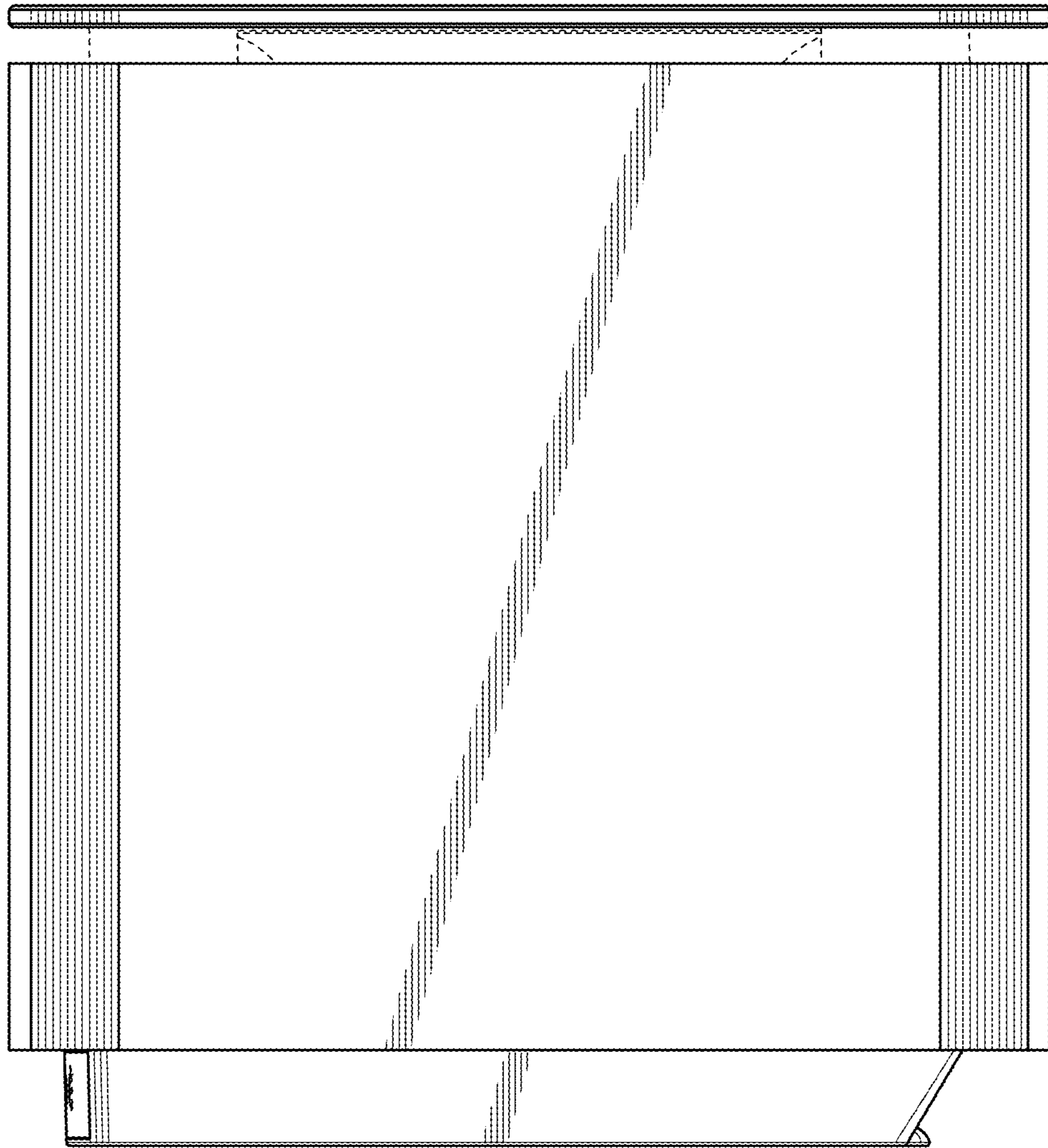


FIG. 6

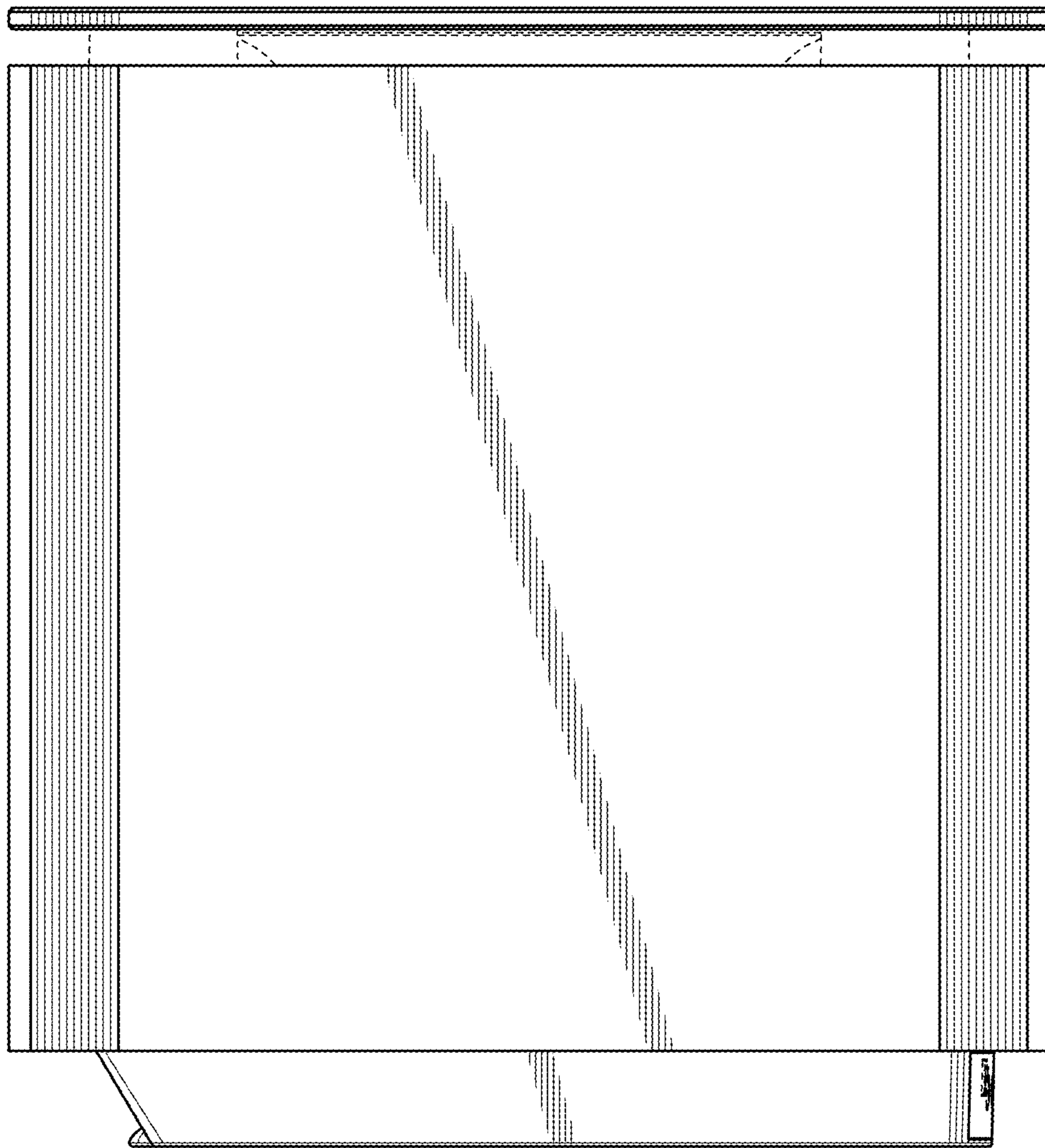


FIG. 7