



US00D789897S

(12) **United States Design Patent** (10) **Patent No.:** **US D789,897 S**  
**VanDuyn et al.** (45) **Date of Patent:** **\*\* Jun. 20, 2017**

- (54) **WALL SWITCH**
- (71) Applicant: **EchoStar Technologies L.L.C.**,  
Englewood, CO (US)
- (72) Inventors: **Luke VanDuyn**, Conifer, CO (US);  
**Neil T. Marten**, Lakewood, CO (US)
- (73) Assignee: **ECHOSTAR TECHNOLOGIES L.L.C.**, Englewood, CO (US)
- (\*\*) Term: **15 Years**
- (21) Appl. No.: **29/550,321**
- (22) Filed: **Dec. 31, 2015**
- (51) **LOC (10) Cl.** ..... **13-03**
- (52) **U.S. Cl.**  
USPC ..... **D13/169**; D13/164
- (58) **Field of Classification Search**  
USPC ..... D13/162, 164, 169, 171  
CPC ..... H01H 9/02; H01H 9/0271; H01H 9/16;  
H01H 9/18; H01H 9/161; H01H 9/181;  
H01H 9/182; H01H 13/04; H01H 13/14;  
H01H 13/20; H01H 13/30; H01H 19/635;  
H01H 23/00; H01H 23/02; H01H 23/025;  
H01H 23/04; H01H 23/145; H01H  
2300/03; H05B 33/0803; H05B 33/0863;  
H05B 37/02; H05B 37/0254; H05B  
37/0272; H05B 39/02; H05B 39/04;  
H05B 39/085; H05B 39/086; H05B  
39/088
- See application file for complete search history.

- (56) **References Cited**
- U.S. PATENT DOCUMENTS
- 5,895,888 A \* 4/1999 Arenas ..... H02G 3/14  
174/66
- D473,527 S \* 4/2003 Wengrower ..... D13/169

- D518,793 S \* 4/2006 Hedderich ..... D13/162
- D566,658 S \* 4/2008 Mayo ..... D13/162
- D586,762 S \* 2/2009 Nichols ..... D13/171
- D587,214 S \* 2/2009 Nichols ..... D13/171
- D594,422 S \* 6/2009 Nichols ..... D13/162
- D598,868 S \* 8/2009 Nishiyama ..... D13/164
- D598,869 S \* 8/2009 Nishiyama ..... D13/164
- D624,881 S \* 10/2010 Altonen ..... D13/171
- D657,752 S \* 4/2012 Krumpe ..... D13/162
- D702,193 S \* 4/2014 Feldstein ..... D13/162
- 8,796,567 B2 \* 8/2014 Mahle ..... G04F 3/025  
200/33 R
- 9,329,607 B2 \* 5/2016 Kevelos ..... G05F 1/455
- D775,089 S \* 12/2016 Iaconis ..... D13/162
- 2012/0068894 A1 \* 3/2012 Feldstein ..... H01Q 1/007  
343/702
- 2016/0320892 A1 \* 11/2016 McDonald ..... H03K 17/9625

\* cited by examiner

*Primary Examiner* — Selina Sikder  
 (74) *Attorney, Agent, or Firm* — Kilpatrick Townsend & Stockton LLP

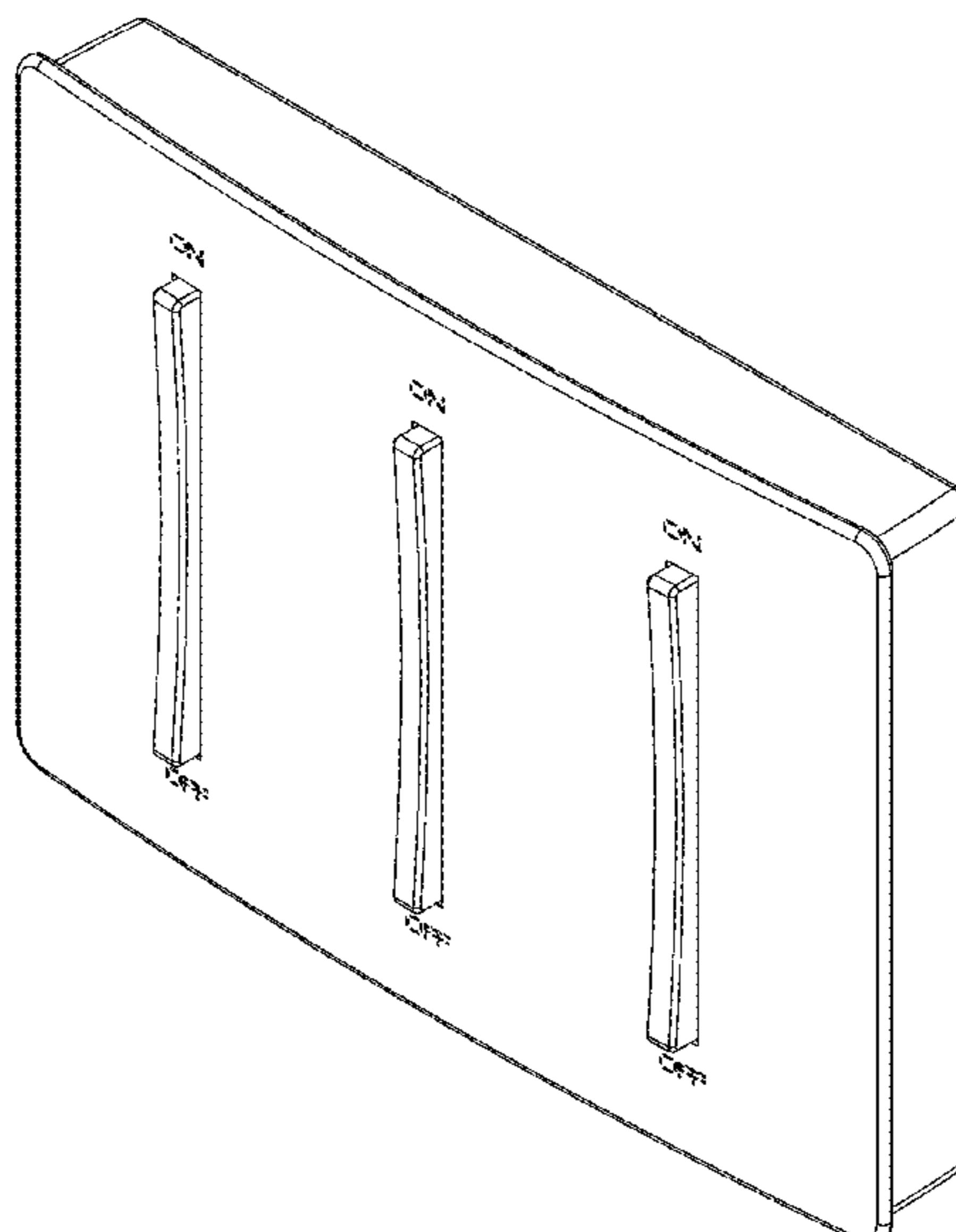
(57) **CLAIM**

We claim the ornamental design for a wall switch, substantially as shown and described.

**DESCRIPTION**

FIG. 1 is a front view of a wall switch;  
 FIG. 2 is a left side view thereof;  
 FIG. 3 is a right side view thereof;  
 FIG. 4 is a top view thereof;  
 FIG. 5 is a bottom view thereof;  
 FIG. 6 is a back side view thereof; and,  
 FIG. 7 is a perspective view thereof.  
 The broken lines in the figures are for illustrative purposes only, and form no part of the claimed design.

**1 Claim, 7 Drawing Sheets**



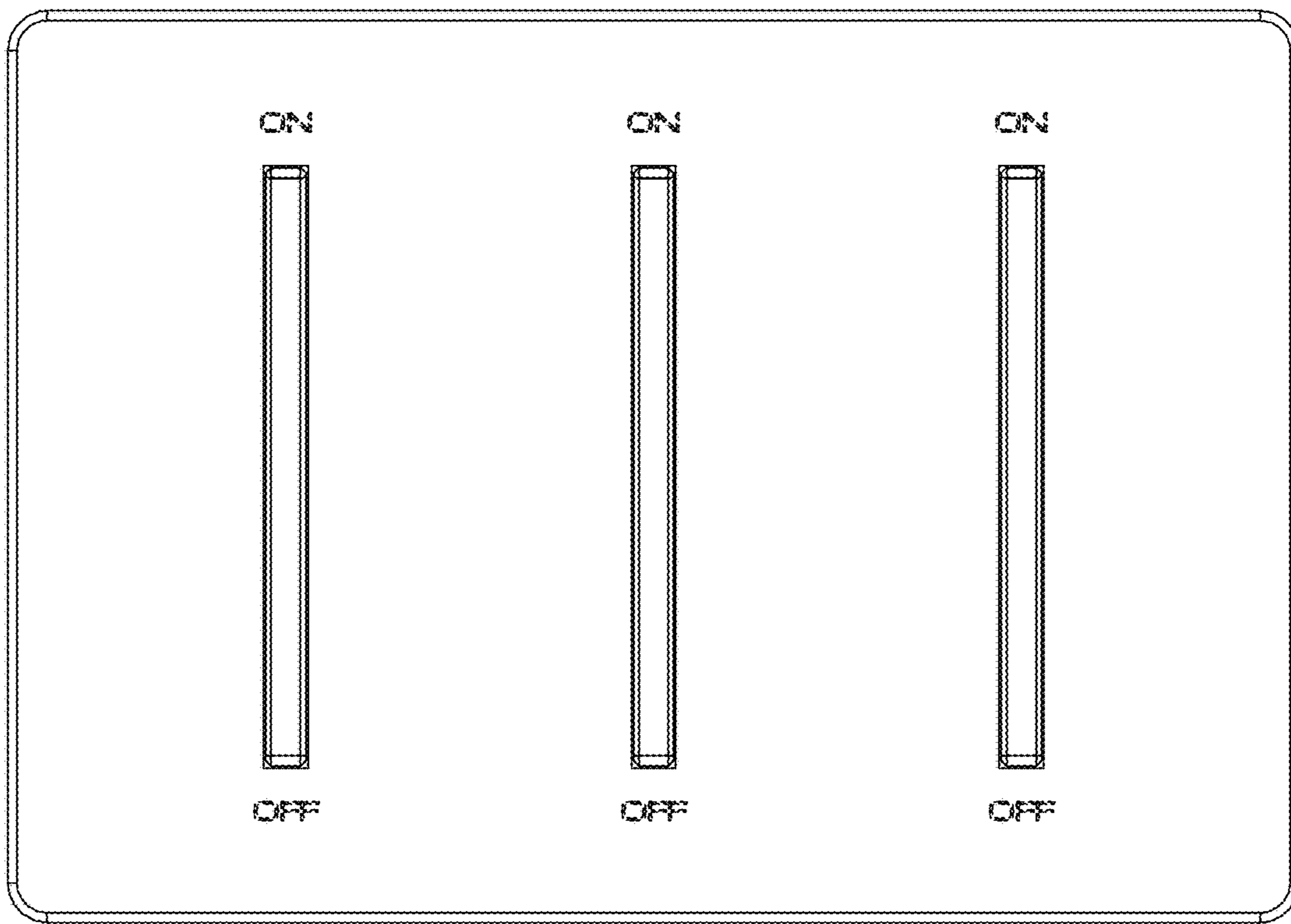


Fig. 1

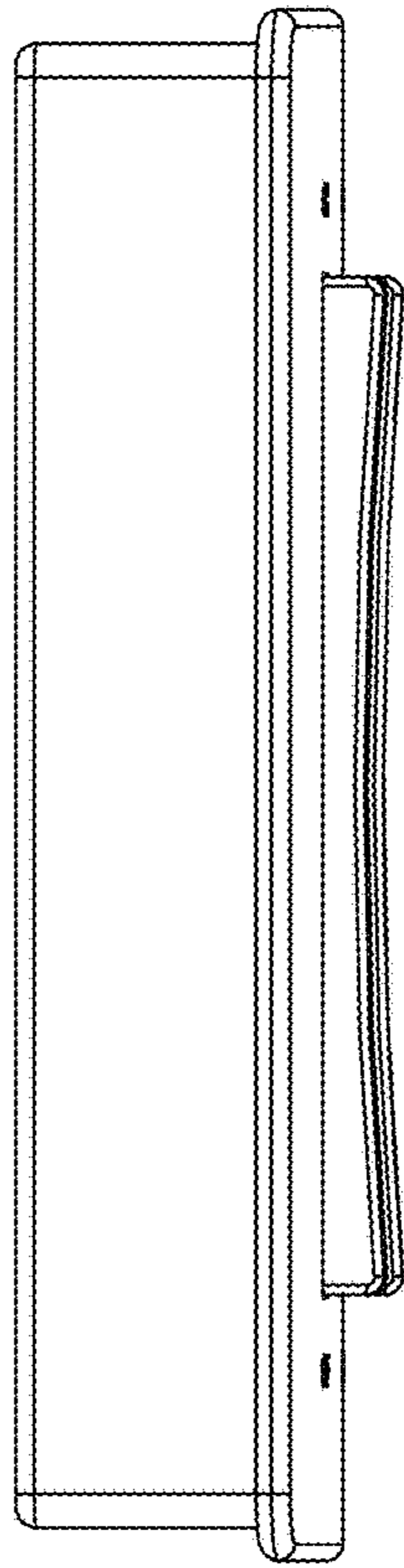


Fig. 2

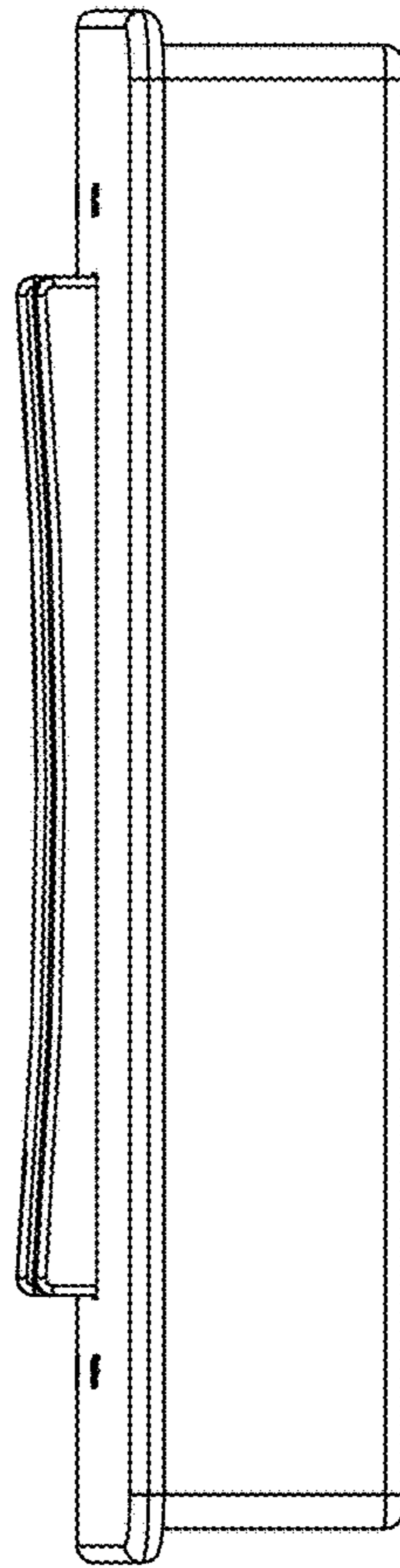


Fig. 3

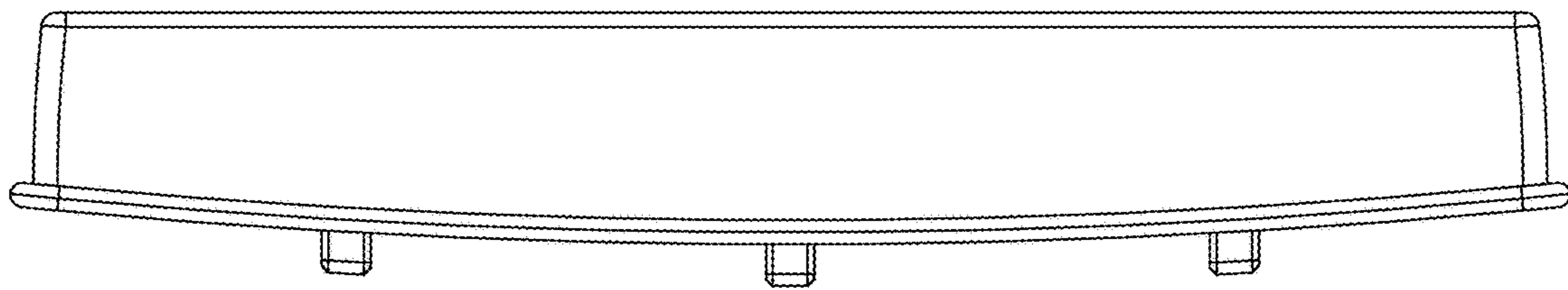


Fig. 4

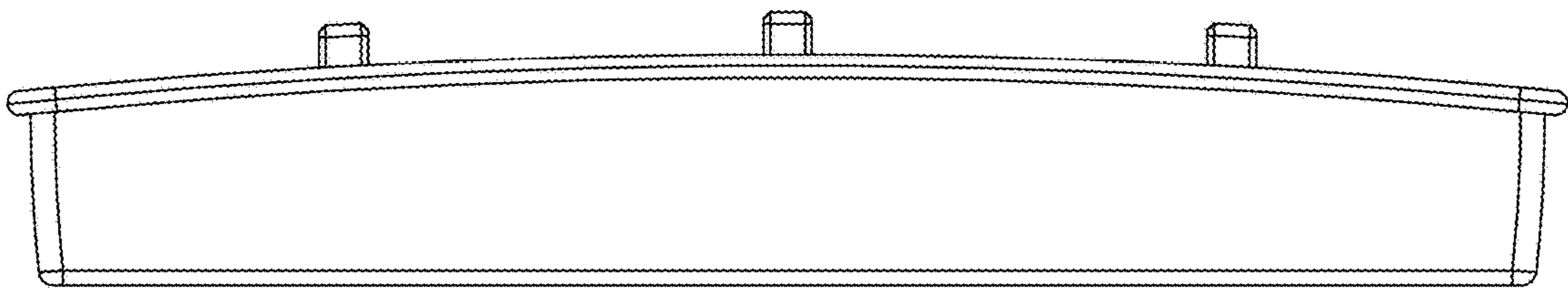


Fig. 5

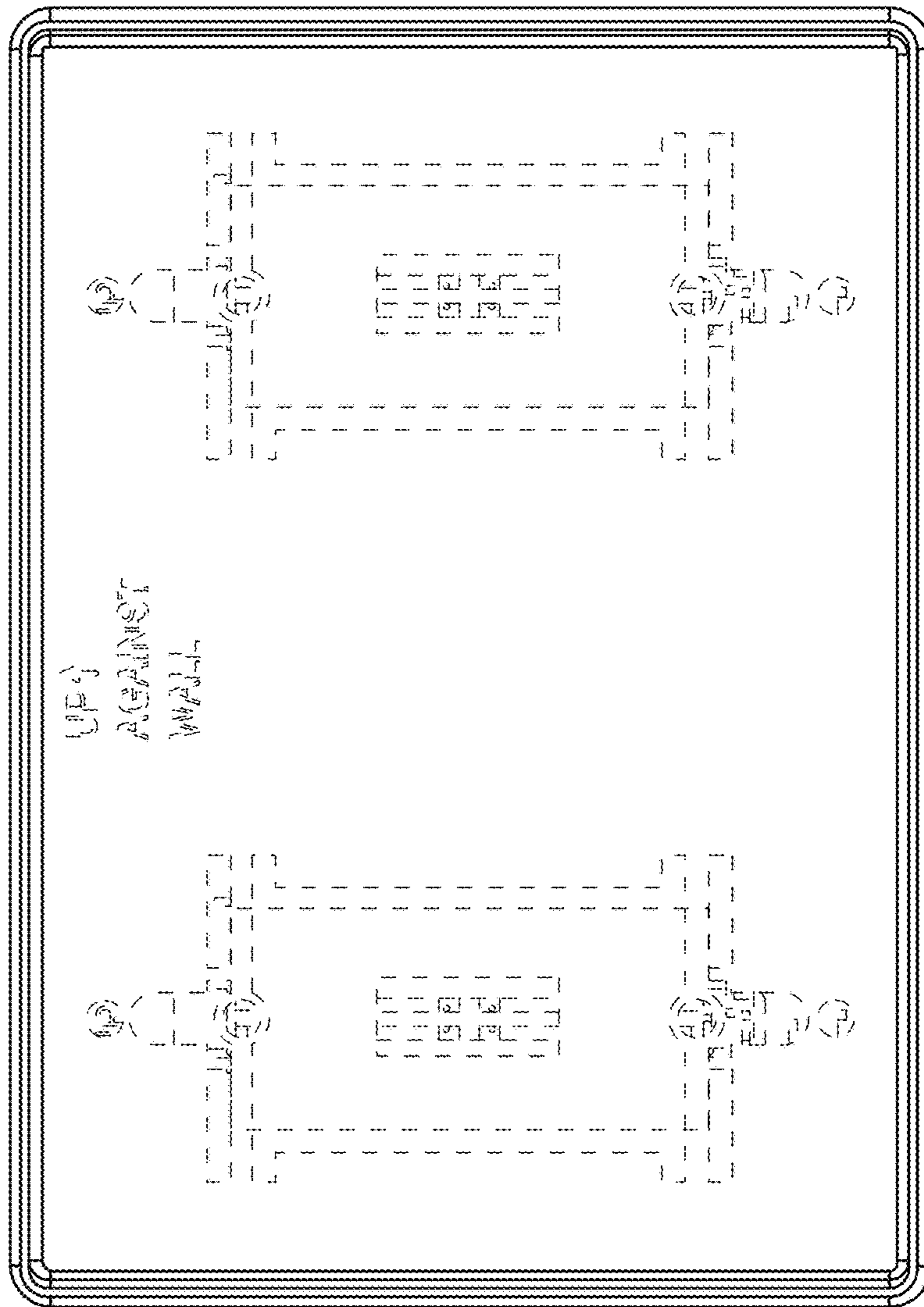


FIG. 6

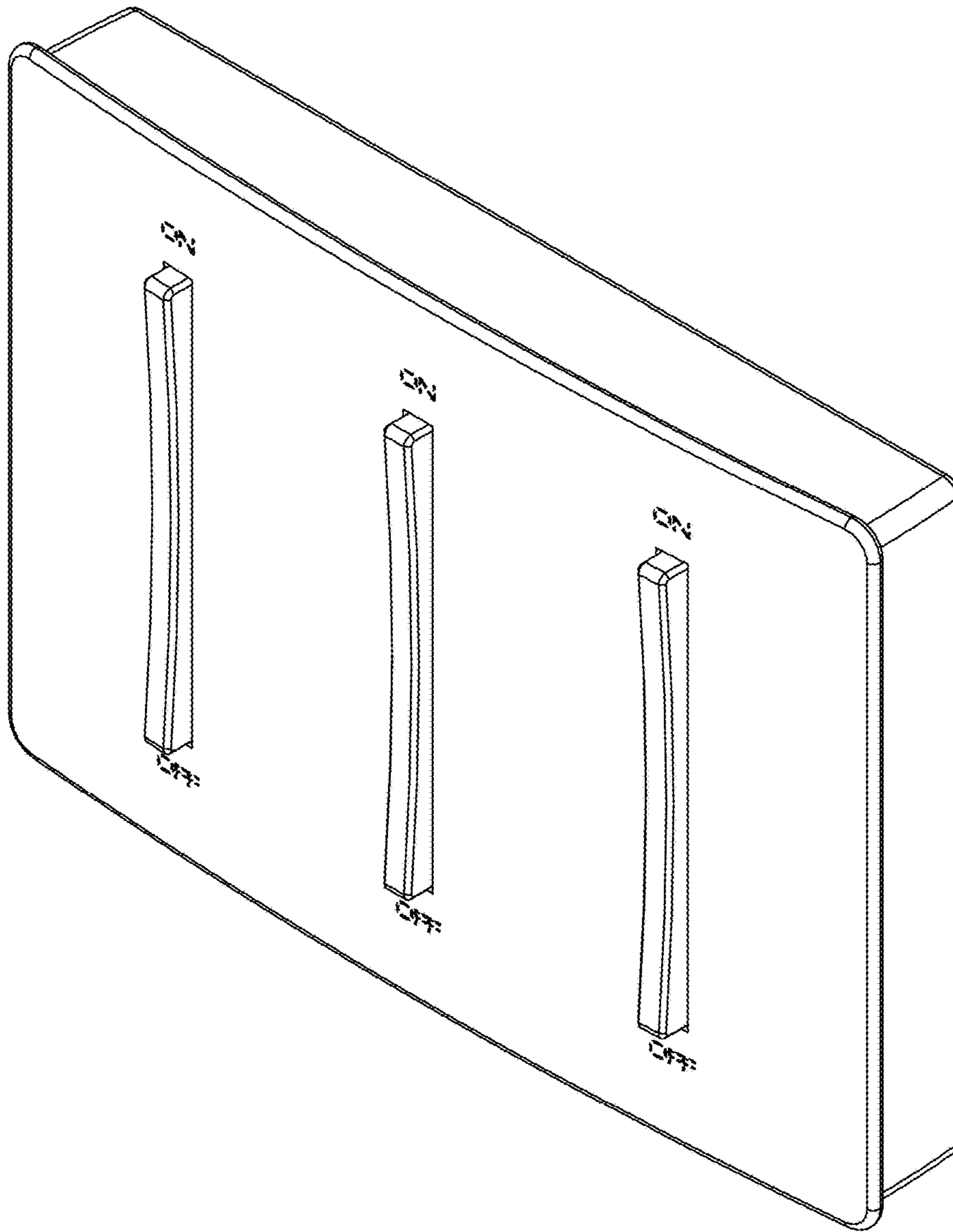


Fig. 7