



US00D789896S

(12) **United States Design Patent** (10) **Patent No.:** **US D789,896 S**  
**Ahern** (45) **Date of Patent:** **\*\* Jun. 20, 2017**

(54) **USER-ACTUATED LIGHTING EFFECT DEVICE**

FOREIGN PATENT DOCUMENTS

(71) Applicant: **Michael John Ahern**, El Granada, CA (US)

FR 2645770 A1 10/1990

(72) Inventor: **Michael John Ahern**, El Granada, CA (US)

OTHER PUBLICATIONS

American DJ Group of Companies Home Page Forum; forums.americandj.com; first post of Nov. 11, 2003, 9:37 p.m.; 2 pgs.

(\*\*) Term: **15 Years**

(Continued)

(21) Appl. No.: **29/545,324**

*Primary Examiner* — Selina Sikder

(22) Filed: **Nov. 11, 2015**

(74) *Attorney, Agent, or Firm* — James F. Hann; Haynes Beffel & Wolfeld LLP

(51) **LOC (10) Cl.** ..... **13-03**

(57) **CLAIM**

(52) **U.S. Cl.**  
USPC ..... **D13/167; D17/20**

The ornamental design for a user-actuated lighting effect device, as shown and described.

(58) **Field of Classification Search**  
USPC ..... D13/167; D14/217; D17/20, 99  
CPC ..... G10H 1/02; G10H 1/0008; G10H 1/0058;  
G10H 1/0556; G10H 1/32; G10H 1/34;  
G10H 1/36; G10H 1/348; G10H 1/46;  
G10H 3/146; H05B 33/0863; H01H 3/14;  
H01H 13/14; H01H 13/16; H01H 21/26;  
G06F 3/0334; G05G 1/30; G05G 1/305;  
A63J 17/00; F21V 23/04  
See application file for complete search history.

**DESCRIPTION**

(56) **References Cited**

U.S. PATENT DOCUMENTS

3,017,497 A	1/1962	Albright	
D236,212 S *	8/1975	Beigel et al.	D14/188
D244,214 S *	5/1977	Ross	D14/217
4,121,488 A	10/1978	Akiyama	
4,167,783 A	9/1979	Mitchell	
4,319,311 A	3/1982	Mitchell	
5,347,431 A	9/1994	Blackwell et al.	
5,702,172 A	12/1997	Kilburn	
5,894,686 A	4/1999	Parker et al.	
6,215,055 B1	4/2001	Saravis	
D518,086 S *	3/2006	Ito	D17/99

(Continued)

FIG. 1 is a front, right side, top view of a user-actuated lighting effect device in an open state, with the upper portion pivoted upwardly from the lower portion, showing my new design;

FIG. 2 is a rear, right side, top view thereof;

FIG. 3 is a right side elevation view thereof;

FIG. 4 is a bottom plan view thereof;

FIG. 5 is a top plan view thereof;

FIG. 6 is a cross-sectional view of a part of the upper portion;

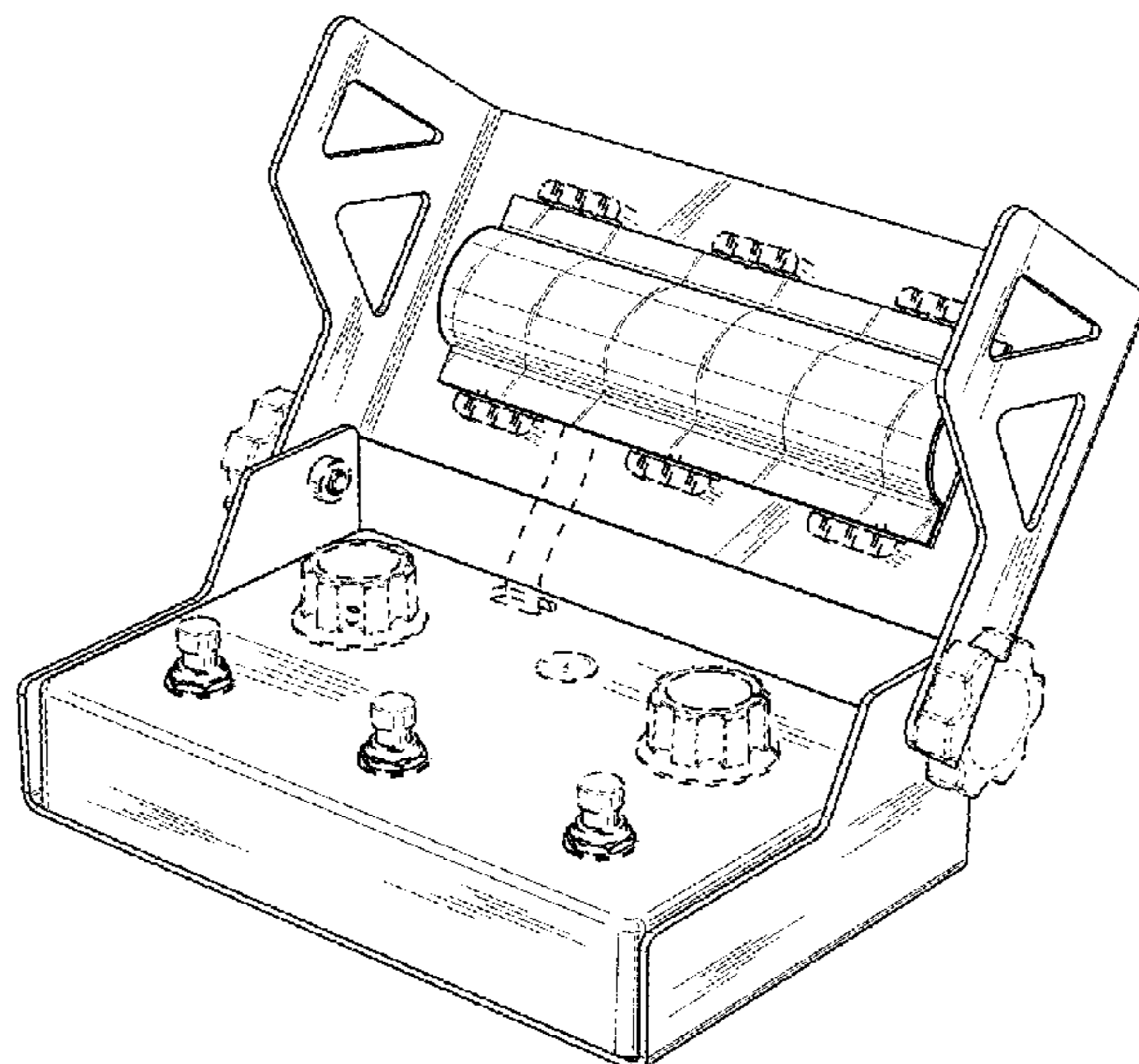
FIG. 7 is a front, right side, top view thereof in a closed state with the upper portion pivoted downwardly onto the lower portion; and,

FIG. 8 is a rear, right side, top view thereof in the closed state.

The broken line showing illustrates environmental structure and forms no part of the claimed design.

The user-actuated lighting effect device can be used to provide a lighting effect for a performer during a performance.

**1 Claim, 4 Drawing Sheets**



(56)

**References Cited**

U.S. PATENT DOCUMENTS

7,461,957 B2 12/2008 Thompson et al.  
 7,563,972 B2 7/2009 Kubitz et al.  
 7,824,052 B1 11/2010 Halm  
 D682,346 S \* 5/2013 Bogdan ..... D17/20  
 8,483,404 B2 \* 7/2013 Bogdan ..... G05G 1/08  
 381/87  
 8,802,961 B2 \* 8/2014 Juskiewicz ..... G10H 1/34  
 84/746  
 D735,146 S \* 7/2015 Sawada ..... D13/167  
 9,185,776 B2 11/2015 Ahern  
 2003/0066410 A1 \* 4/2003 Stratton ..... G10H 1/32  
 84/422.1  
 2004/0250673 A1 12/2004 Salerno  
 2005/0091884 A1 5/2005 Omstead et al.  
 2006/0032364 A1 2/2006 Ludwig  
 2007/0206375 A1 9/2007 Piepgras et al.  
 2007/0223239 A1 9/2007 Thompson et al.  
 2007/0281811 A1 12/2007 Wang  
 2011/0008536 A1 1/2011 Oh  
 2011/0088536 A1 4/2011 McMillen et al.

2011/0095874 A1 \* 4/2011 Bennett ..... G10H 1/0008  
 340/326  
 2011/0249425 A1 10/2011 Aurongzeb et al.  
 2013/0233156 A1 \* 9/2013 Kapp ..... G10H 1/0091  
 84/626  
 2014/0090546 A1 \* 4/2014 Ceccolini ..... G10H 1/02  
 84/626  
 2014/0205113 A1 \* 7/2014 Slipp ..... G10H 7/008  
 381/119  
 2014/0301101 A1 10/2014 Russ  
 2015/0161973 A1 \* 6/2015 Packouz ..... G10H 1/40  
 84/746  
 2016/0275928 A1 \* 9/2016 Lee ..... G10H 1/0091

OTHER PUBLICATIONS

MBT Lighting SCX101 16 Channel DMX Lighting Foot Controller;  
 User Manual; in existence as of Nov. 25, 2011; 21 pgs.  
 The Gear Page—Strobe Lights Controlled Via Foot Switch; www.  
 thegearpage.net; Jan. 26, 2009, 8:34 p.m.; 1 pg.

\* cited by examiner

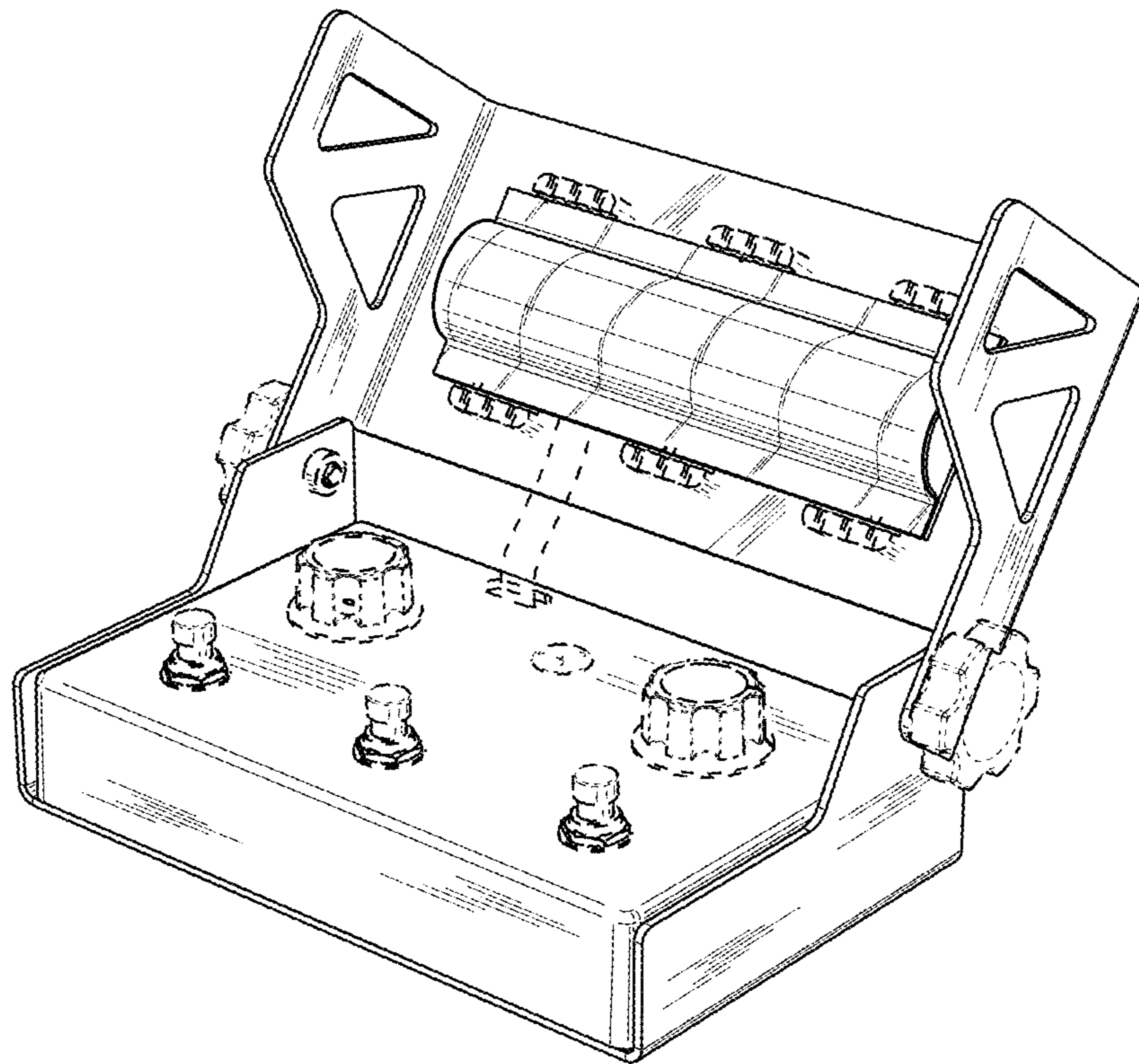


Fig. 1

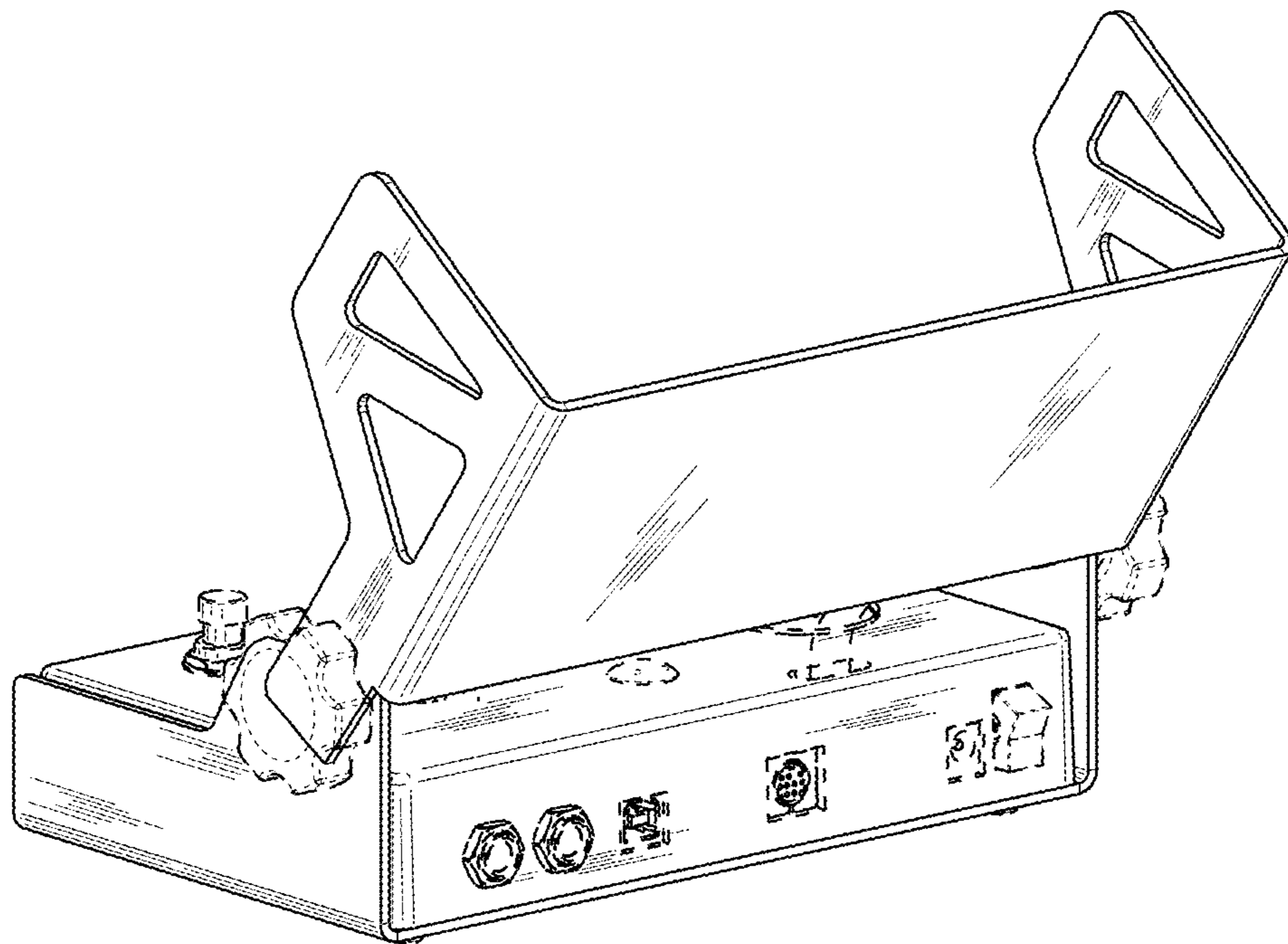


Fig. 2

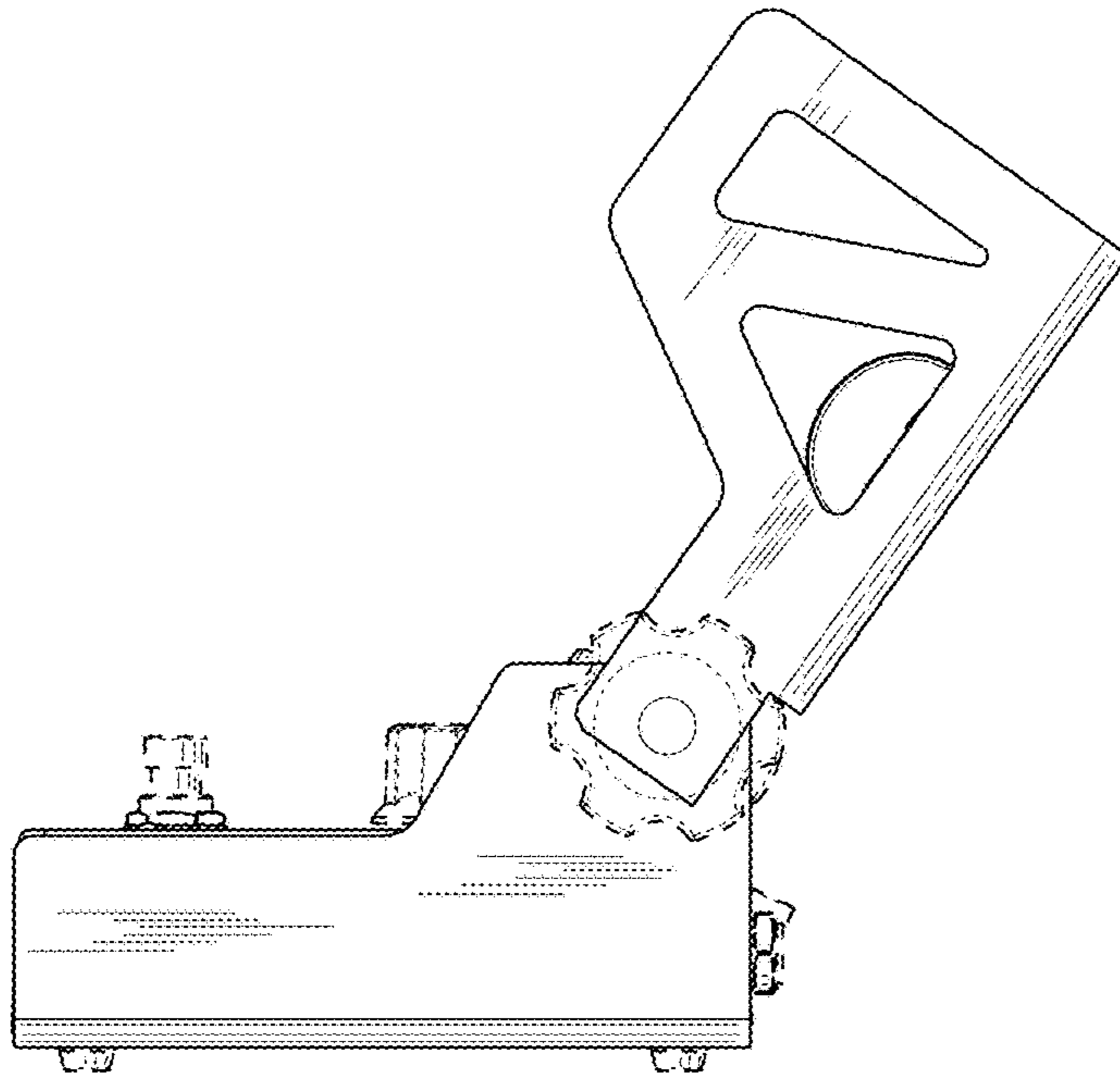


Fig. 3

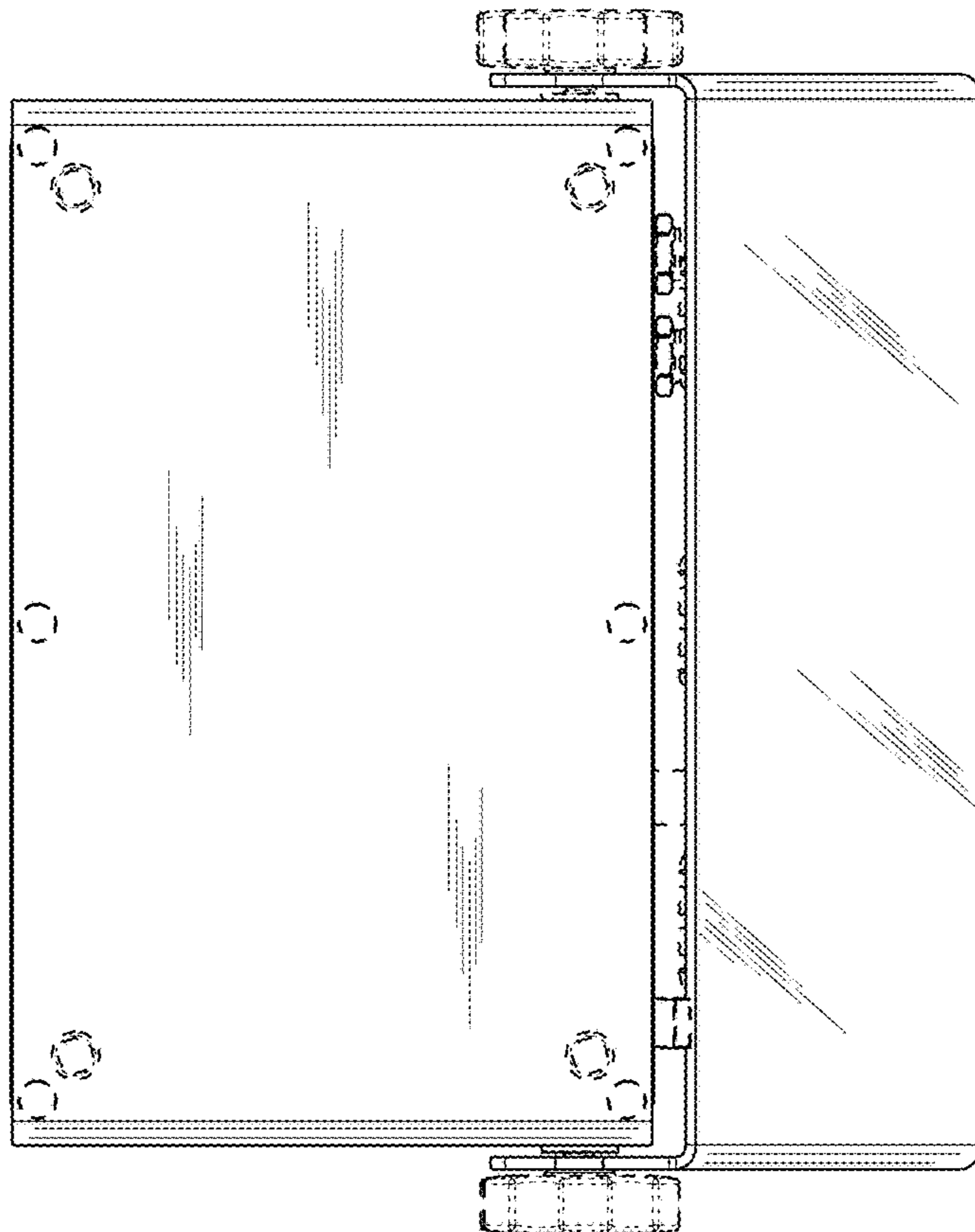


Fig. 4

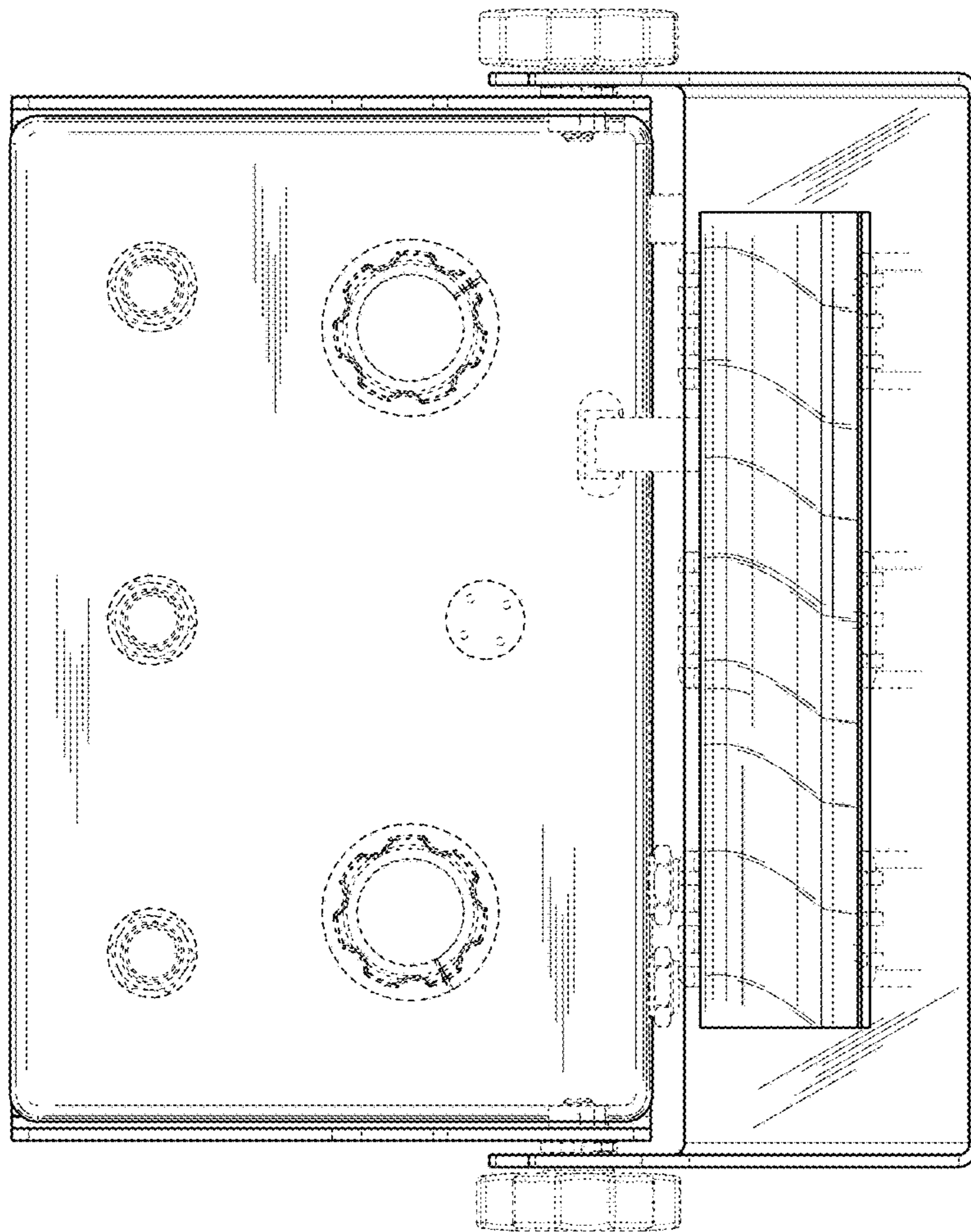


Fig. 5

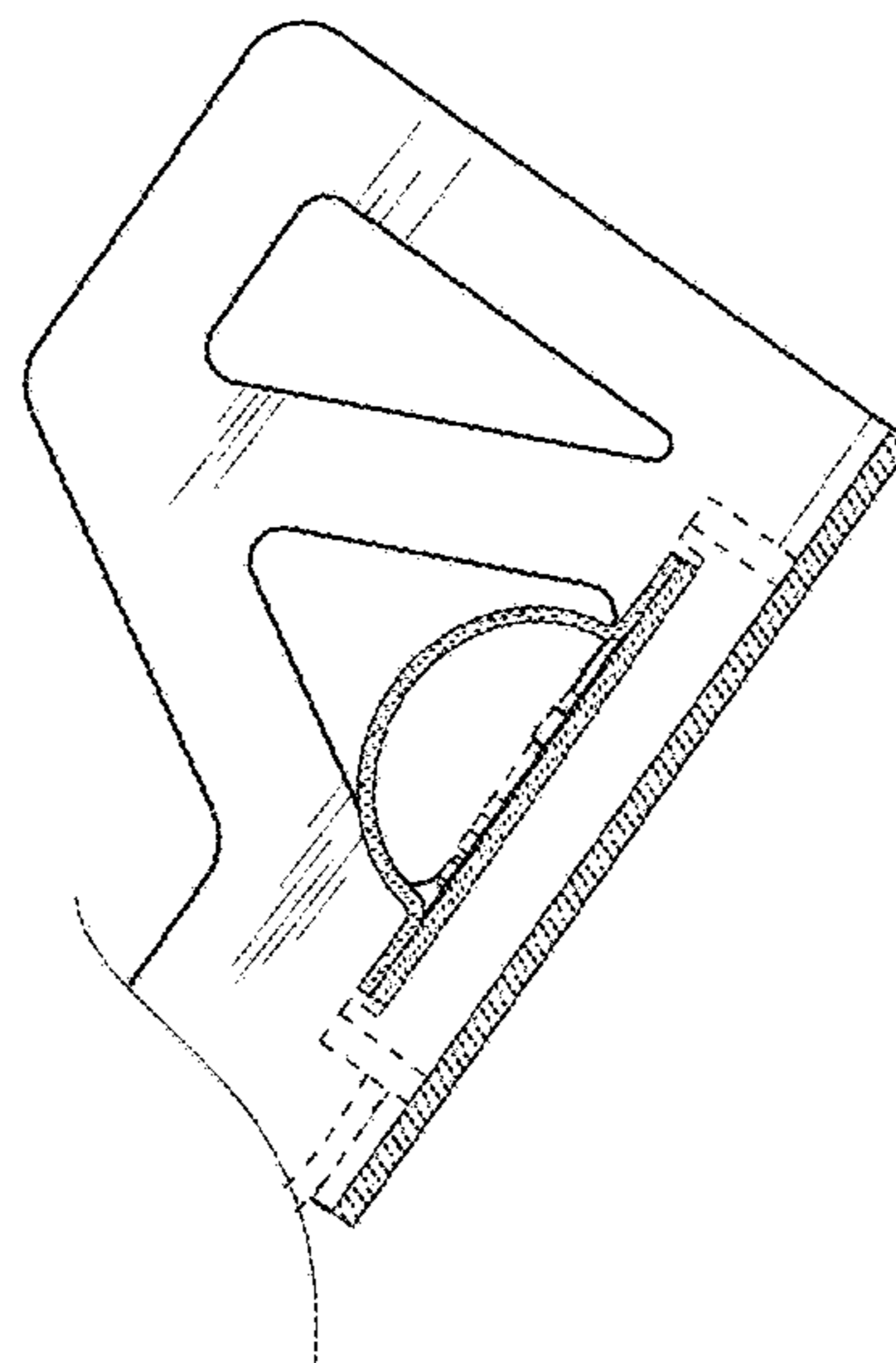


Fig. 6

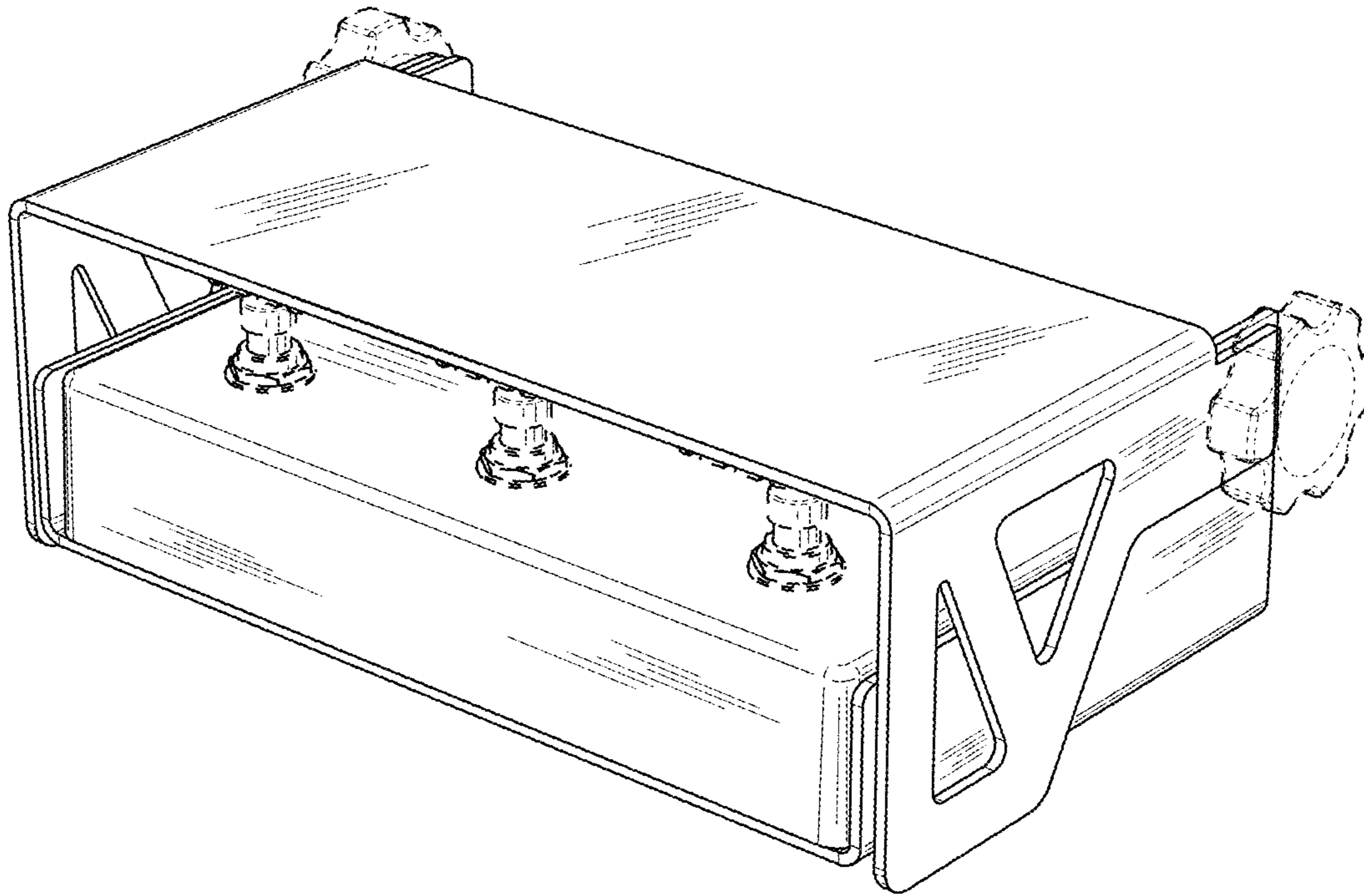


Fig. 7

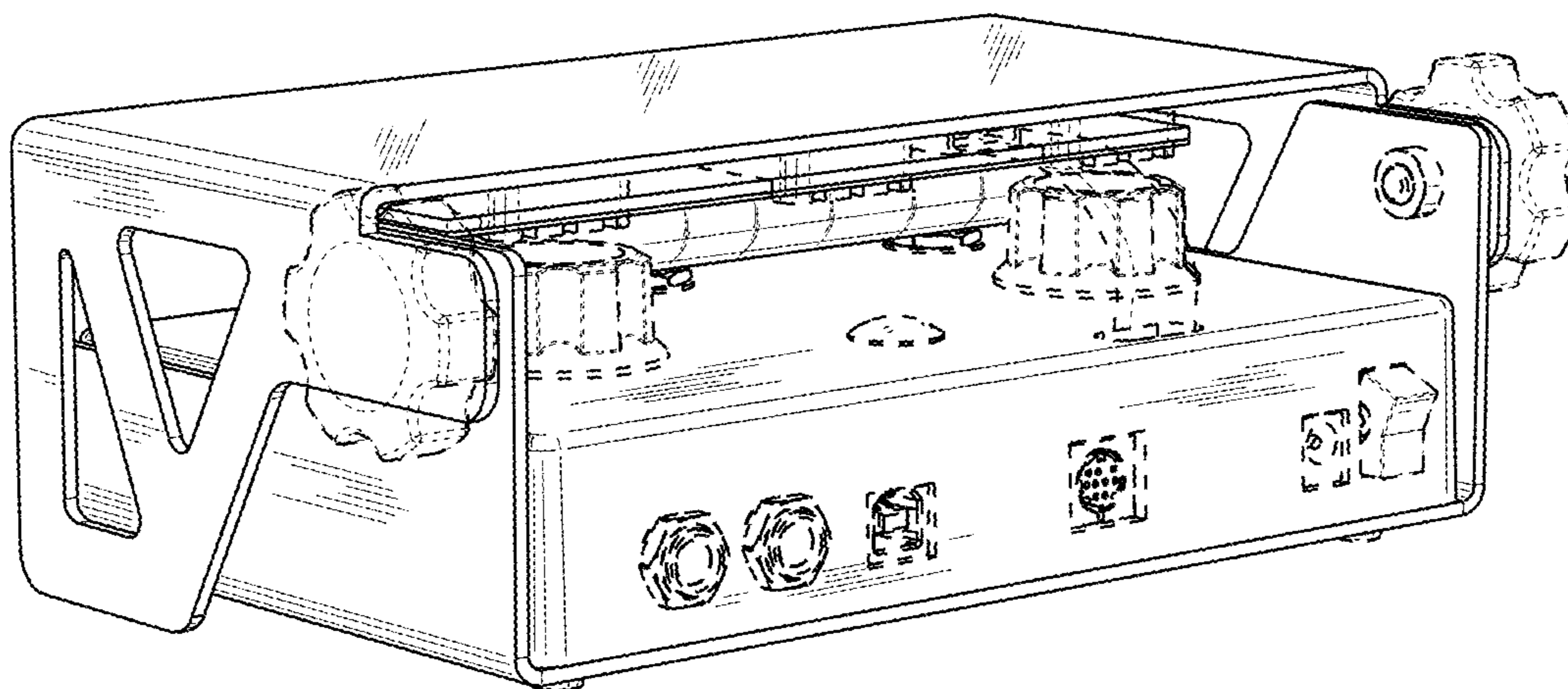


Fig. 8