



US00D789892S

(12) **United States Design Patent**
Shibata

(10) **Patent No.:** **US D789,892 S**
(45) **Date of Patent:** **** Jun. 20, 2017**

(54) **WATERPROOF CONNECTOR**

- (71) Applicant: **Molex, LLC**, Lisle, IL (US)
- (72) Inventor: **Shinsuke Shibata**, Yamato (JP)
- (73) Assignee: **Molex, LLC**, Lisle, IL (US)
- (**) Term: **15 Years**
- (21) Appl. No.: **29/549,501**

(22) Filed: **Dec. 22, 2015**

(30) **Foreign Application Priority Data**

- Jun. 26, 2015 (JP) 2015-014178
- (51) **LOC (10) Cl.** **13-03**
- (52) **U.S. Cl.**
USPC **D13/149; D13/147**
- (58) **Field of Classification Search**
USPC D13/123, 133, 134, 137.1–137.4, 138.1,
D13/138.2, 139.1, 139.7, 144–147, 149,
D13/155, 156, 173, 184, 199
CPC H01R 13/50; H01R 13/502; H01R 13/52;
H01R 13/521; H01R 13/58; H01R 13/62;
H01R 13/627; H01R 13/629; H01R 9/00;
H01R 13/00
See application file for complete search history.

(56) **References Cited**

U.S. PATENT DOCUMENTS

- D473,849 S 4/2003 Yeh
- 8,882,521 B2* 11/2014 Conway H01R 13/5213
439/157
- 9,028,267 B2 5/2015 Furuya
- 2001/0044228 A1* 11/2001 Noro H01R 13/62938
439/157
- 2002/0127912 A1 9/2002 Hamai
- 2006/0040535 A1* 2/2006 Koshy H01R 13/62977
439/157
- 2007/0128900 A1 6/2007 Bauman

(Continued)

FOREIGN PATENT DOCUMENTS

- JP D1347083 12/2008
- JP D1358540 5/2009

OTHER PUBLICATIONS

Molex-CMC Sealed, Hybrid, Modular Connectors and Headers, dated Nov. 11, 2013, [online], [site visited Dec. 13, 2016]. Available from Internet, <URL: <https://www.youtube.com/watch?v=7ZNe4qvVICk>>.*

Primary Examiner — Thomas Johannes
Assistant Examiner — Shawn T Gingrich
(74) *Attorney, Agent, or Firm* — James A. O'Malley

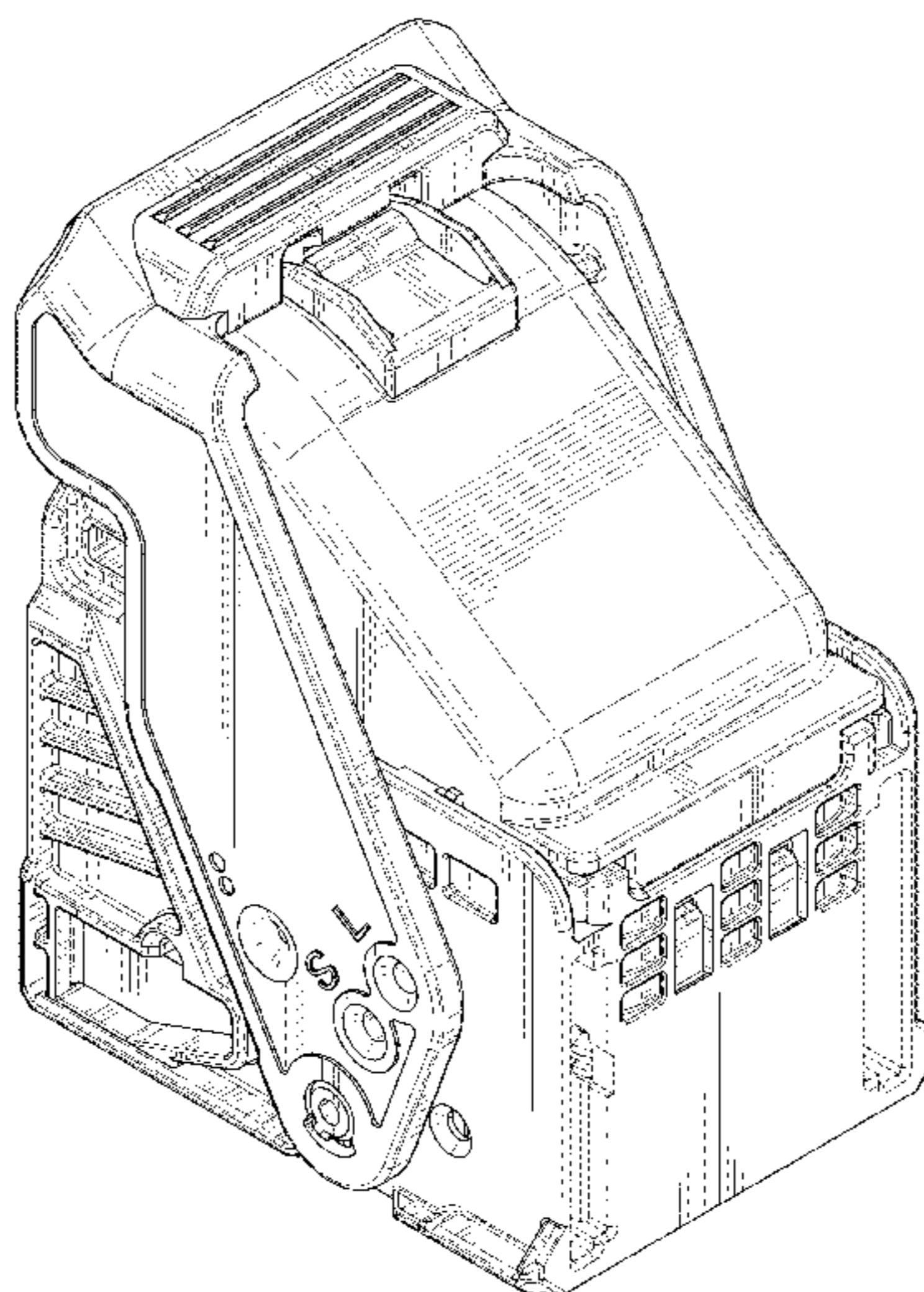
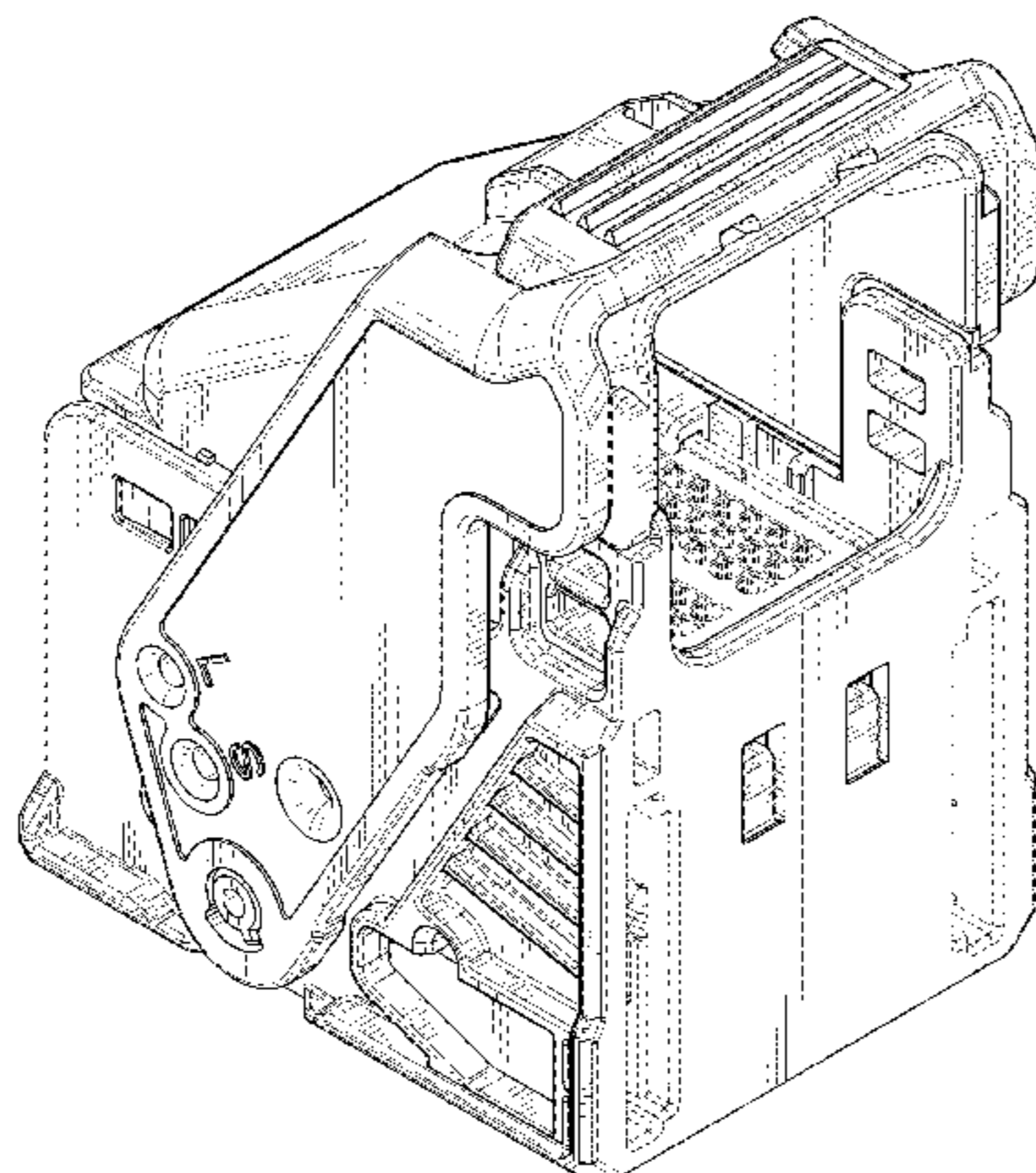
(57) **CLAIM**

The ornamental design for a waterproof connector, as shown and described.

DESCRIPTION

FIG. 1 is perspective view of an embodiment of a waterproof connector;
FIG. 2 is another perspective view of the embodiment depicted in FIG. 1;
FIG. 3 is an elevated side view of the embodiment depicted in FIG. 1 taken from a first direction;
FIG. 4 is an elevated side view of the embodiment depicted in FIG. 1 taken from a second direction, the second direction being opposite the first direction;
FIG. 5 is top view of the embodiment depicted in FIG. 1;
FIG. 6 is bottom view of the embodiment depicted in FIG. 1;
FIG. 7 is an elevated front view of the embodiment depicted in FIG. 1; and,
FIG. 8 is an elevated rear view of the embodiment depicted in FIG. 1.
The broken line portion of the figure drawings is included to show portions of the article that form no part of the claimed design.

1 Claim, 7 Drawing Sheets



(56)

References Cited

U.S. PATENT DOCUMENTS

2007/0197081 A1* 8/2007 Patterson H01R 13/62955
439/372
2010/0081313 A1* 4/2010 Komiyama H01R 13/62977
439/341
2011/0014805 A1* 1/2011 Sakamaki H01R 13/62955
439/153
2011/0021048 A1* 1/2011 Sakamaki H01R 13/4361
439/157
2011/0021064 A1 1/2011 Shibata
2011/0034049 A1* 2/2011 Shishikura H01R 13/62944
439/157
2011/0086529 A1* 4/2011 Kobayashi H01R 13/62966
439/157
2011/0086533 A1* 4/2011 Kobayashi H01R 13/62938
439/345
2012/0208383 A1* 8/2012 Kobayashi H01R 13/62955
439/133
2016/0079699 A1 3/2016 Kobayashi
2016/0190738 A9 6/2016 Henmi
2016/0315413 A1* 10/2016 Kobayashi H01R 13/521
2016/0336686 A1 11/2016 Obata

* cited by examiner

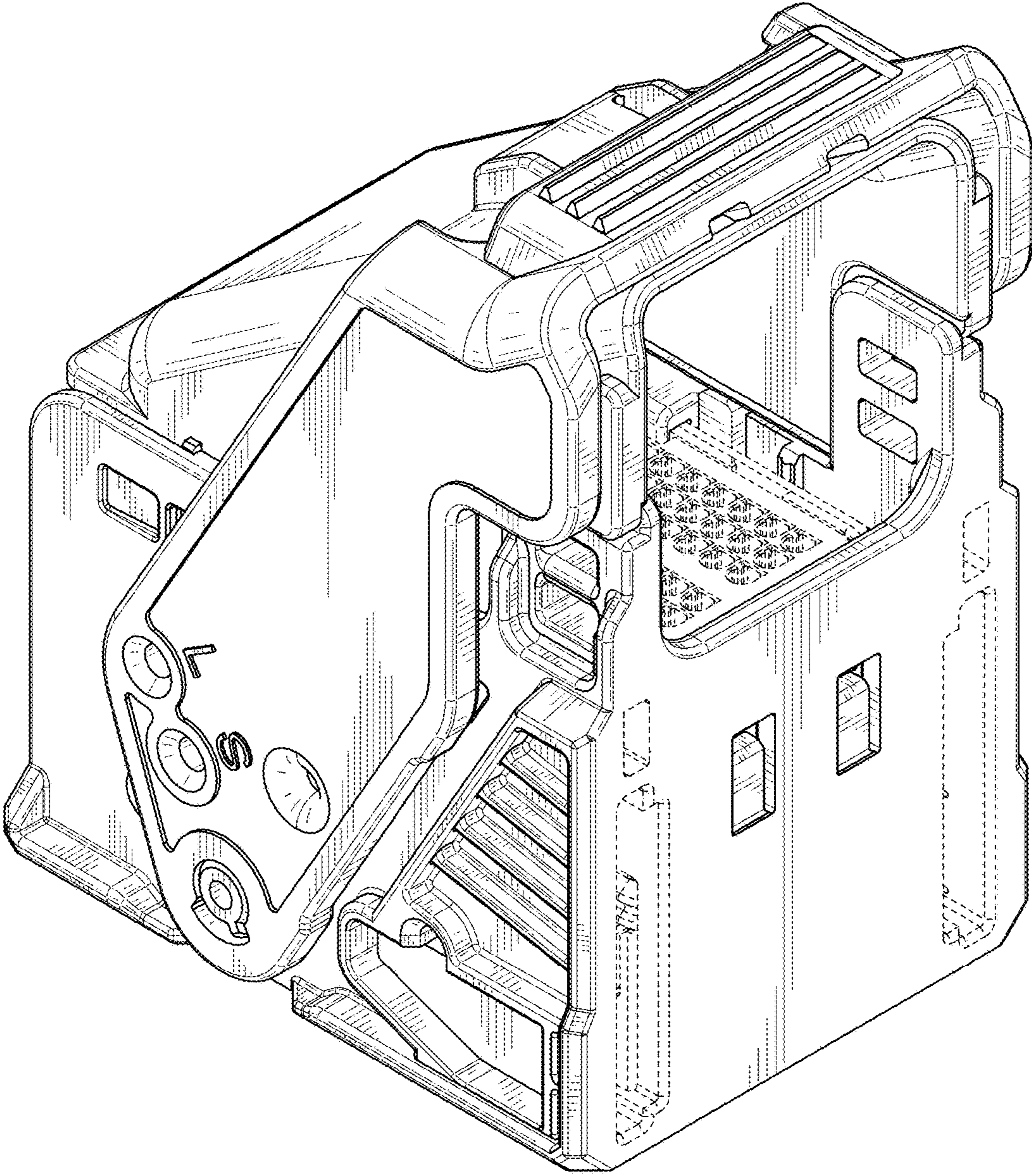


FIG. 1

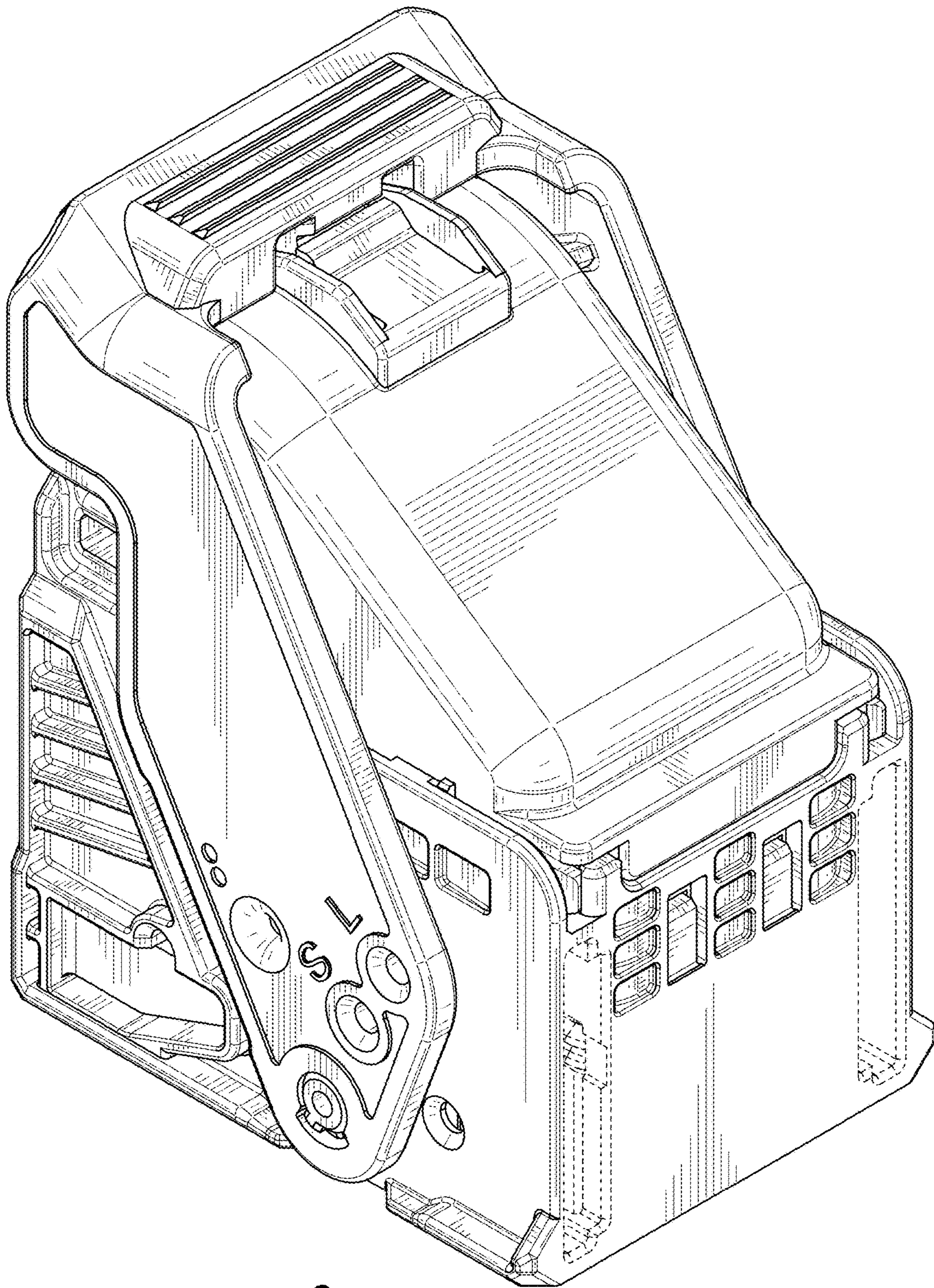


FIG. 2

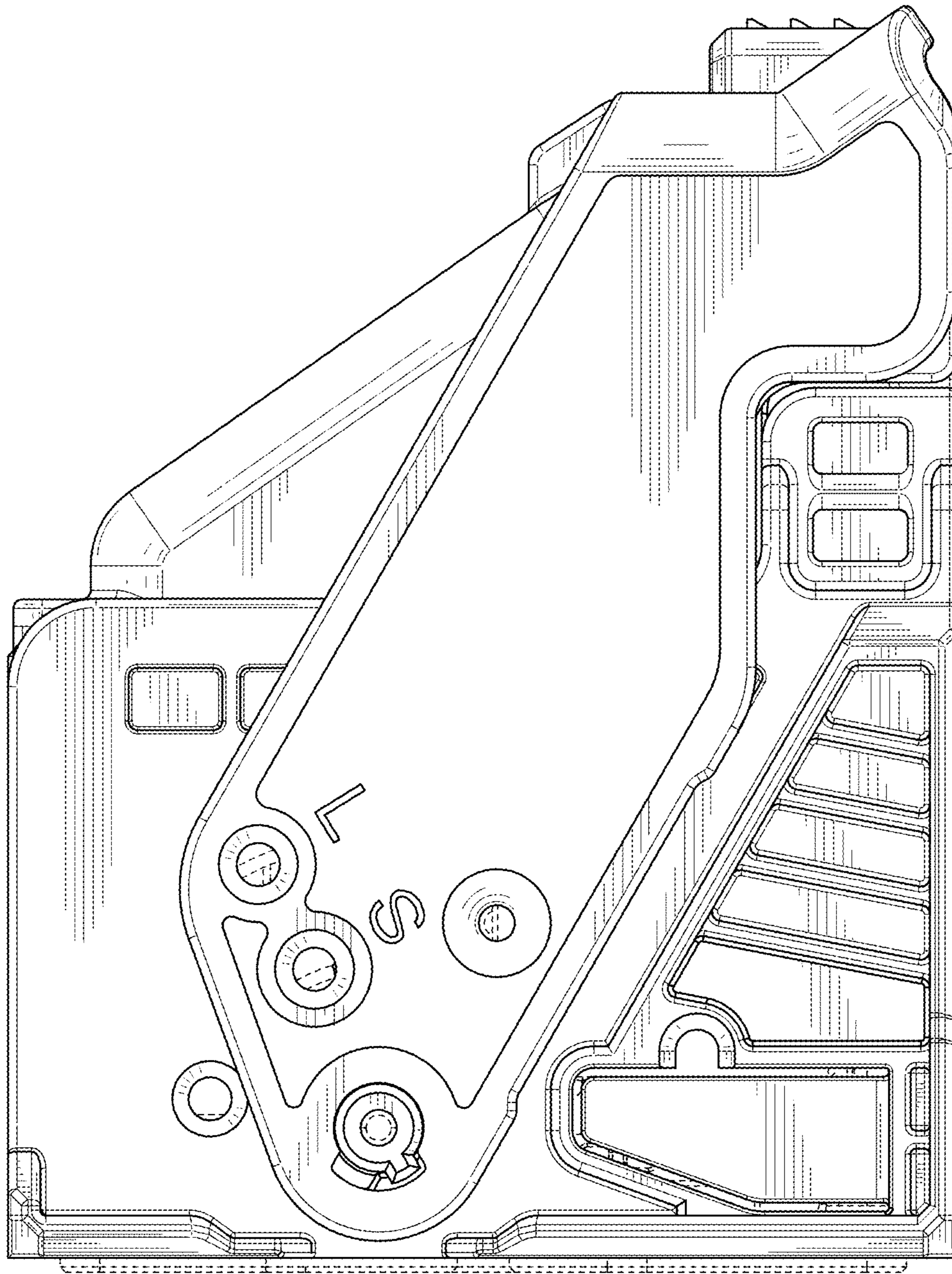


FIG. 3

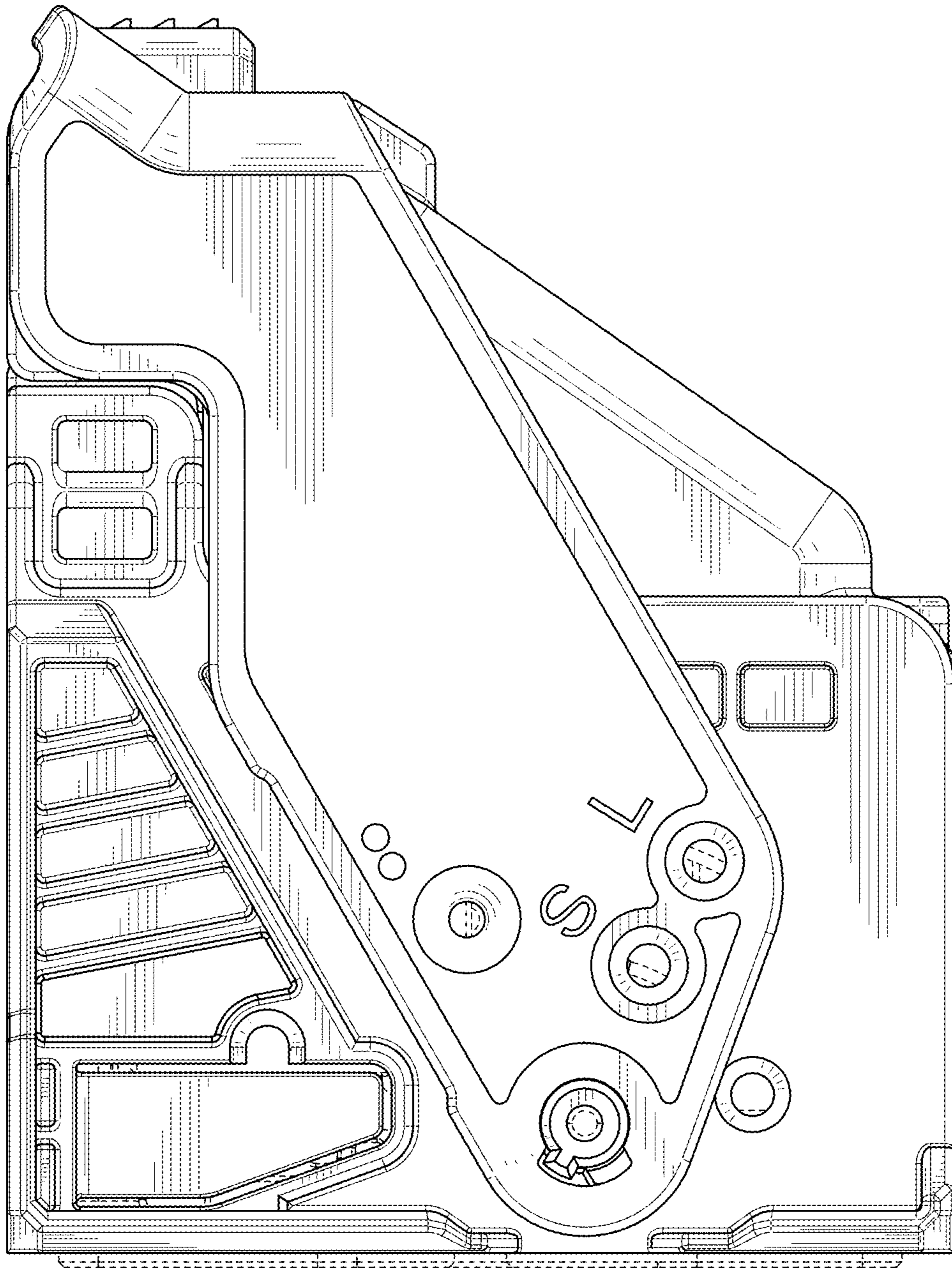


FIG. 4

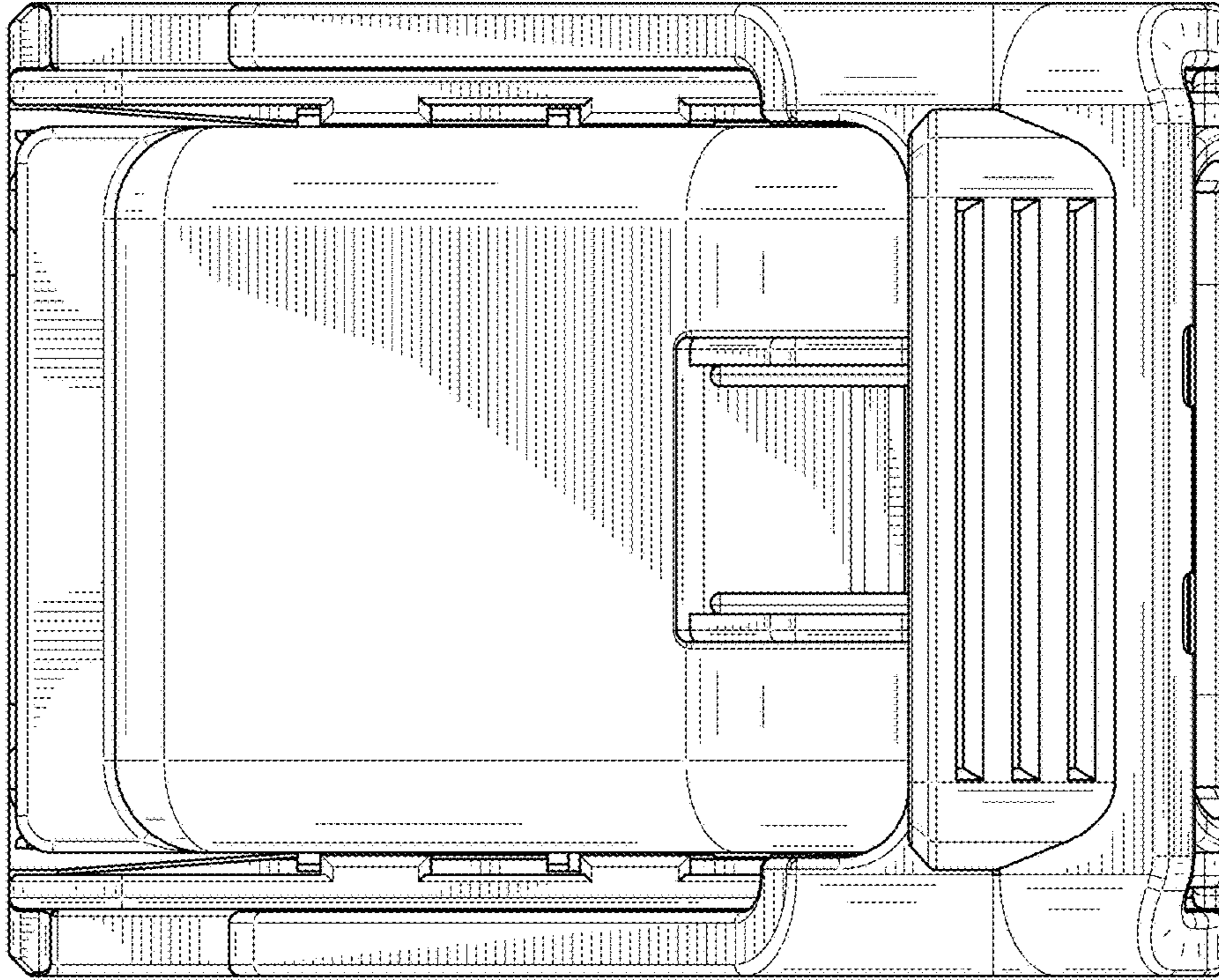


FIG. 5

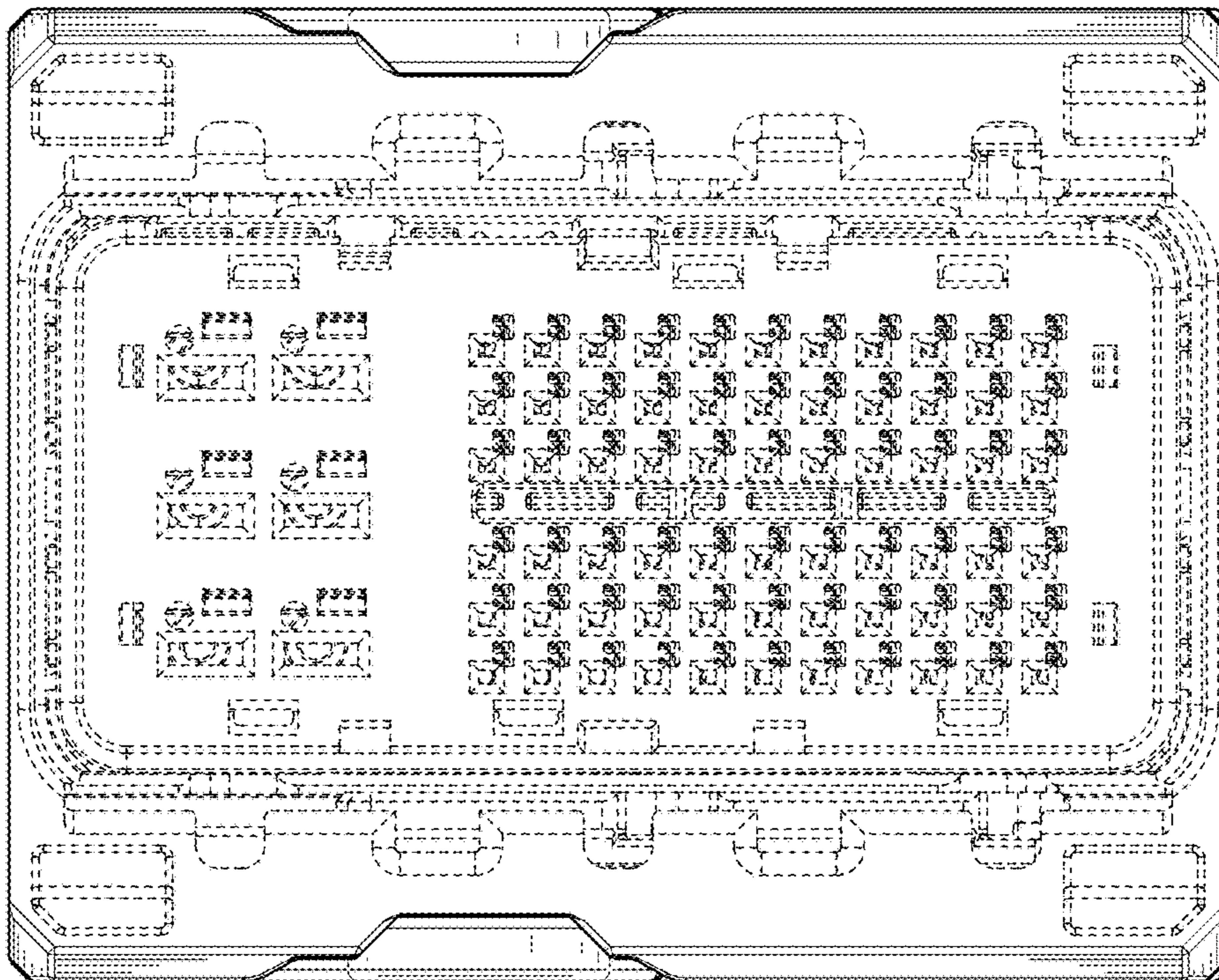


FIG. 6

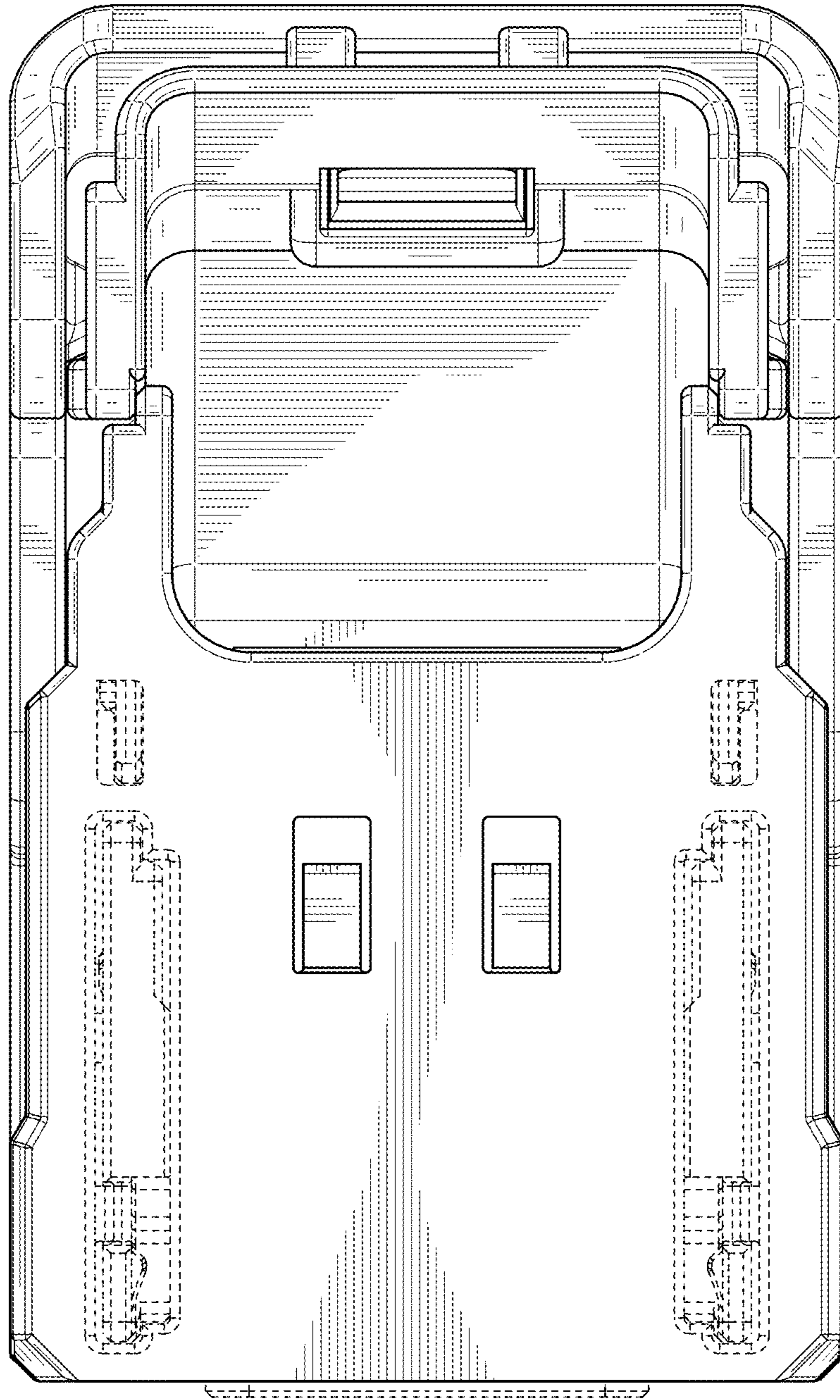


FIG. 7

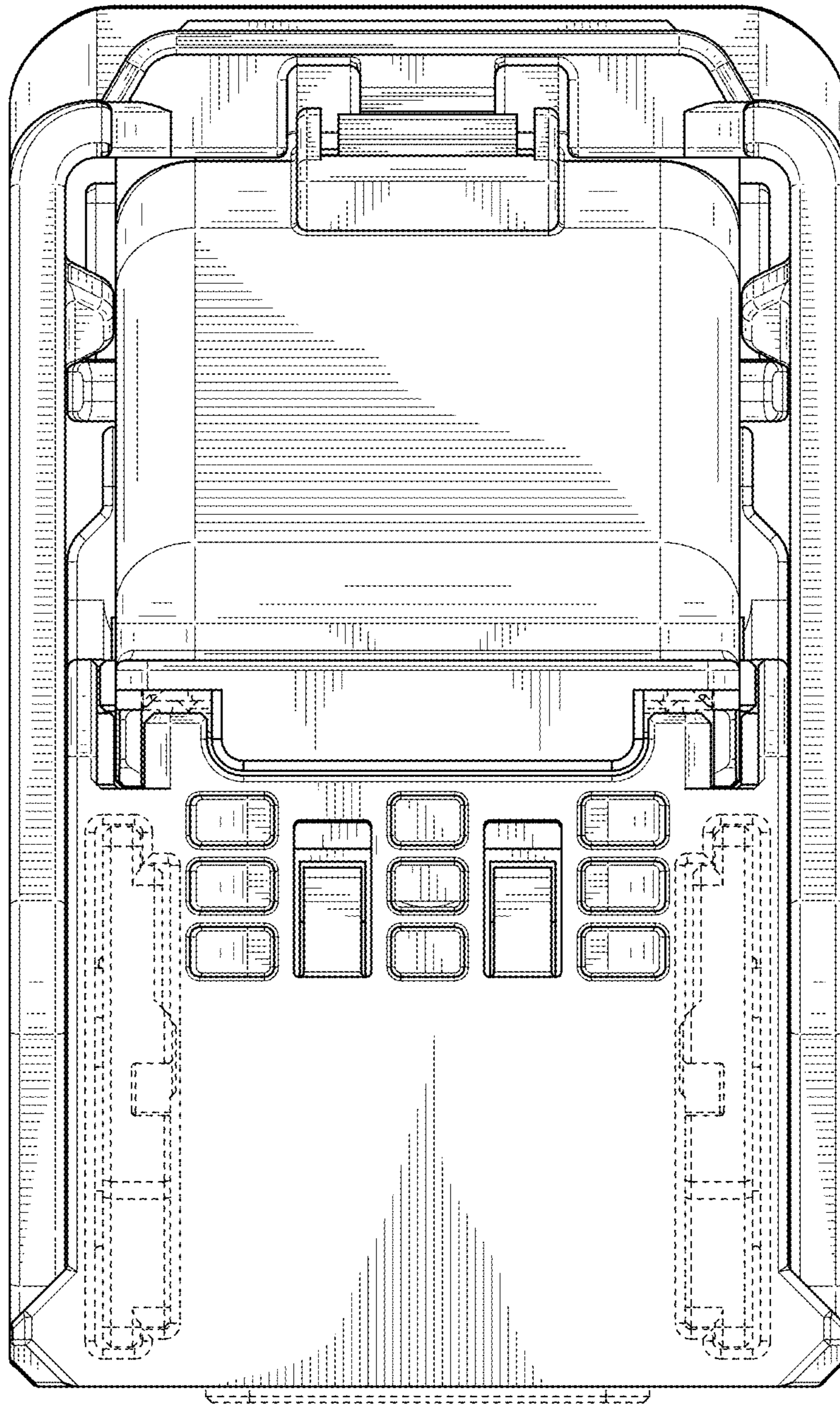


FIG. 8