



US00D789891S

(12) **United States Design Patent**
Eshelman et al.

(10) **Patent No.:** **US D789,891 S**

(45) **Date of Patent:** **** Jun. 20, 2017**

(54) **POWER ADAPTER**

D734,268 S * 7/2015 Parbatani D13/139.8
D736,710 S * 8/2015 Lin D13/137.2
D739,355 S * 9/2015 D'Aubeterre D13/139.8

(71) Applicant: **360 Electrical, L.L.C.**, Salt Lake City,
UT (US)

(72) Inventors: **Brandon Eshelman**, Salt Lake City,
UT (US); **Cameron Bigler**, Lehi, UT
(US)

(73) Assignee: **360 Electrical, L.L.C.**, Salt Lake City,
UT (US)

(**) Term: **15 Years**

(21) Appl. No.: **29/533,871**

(22) Filed: **Jul. 22, 2015**

(51) **LOC (10) Cl.** **13-03**

(52) **U.S. Cl.**
USPC **D13/137.2**

(58) **Field of Classification Search**
USPC D13/137.1-137.4, 138.1-138.2,
D13/139.1-139.8; 439/652
CPC H01R 13/6666; H01R 13/70
See application file for complete search history.

(56) **References Cited**

U.S. PATENT DOCUMENTS

D397,086 S * 8/1998 Lin D13/137.2
D432,499 S * 10/2000 Stekelenburg D13/139.6
6,315,617 B1 * 11/2001 Al-Sabah H01R 13/6666
439/652
D459,307 S * 6/2002 Nieto D13/139.8
D469,064 S * 1/2003 Nieto D13/137.2
D493,426 S * 7/2004 Strayer D13/139.4
D562,240 S * 2/2008 Lee D13/137.2
D614,134 S * 4/2010 Chen D13/137.2
7,862,385 B2 * 1/2011 Lee H01R 13/70
439/652
D640,199 S * 6/2011 Wilson D13/139.7
D653,215 S * 1/2012 Lam D13/139.8

OTHER PUBLICATIONS

Power Adapter, Eshelman, Brandon; et al., U.S. Appl. No. 29/533,871, filed Jul. 22, 2015.
Power Adapter, Eshelman, Brandon; et al., U.S. Appl. No. 29/533,872, filed Jul. 22, 2015.
Electrical Cord Plug, Eshelman, Brandon; et al., U.S. Appl. No. 29/582,844, filed Oct. 31, 2016.
Electrical Extension Cord Receptacle End, Eshelman, Brandon; et al., U.S. Appl. No. 29/582,846, filed Oct. 31, 2016.
Electrical Extension Cord Receptacle End, Eshelman, Brandon; et al., U.S. Appl. No. 29/582,848, filed Oct. 31, 2016.

(Continued)

Primary Examiner — Rhea Shields

(74) *Attorney, Agent, or Firm* — Lauff Law PLLC

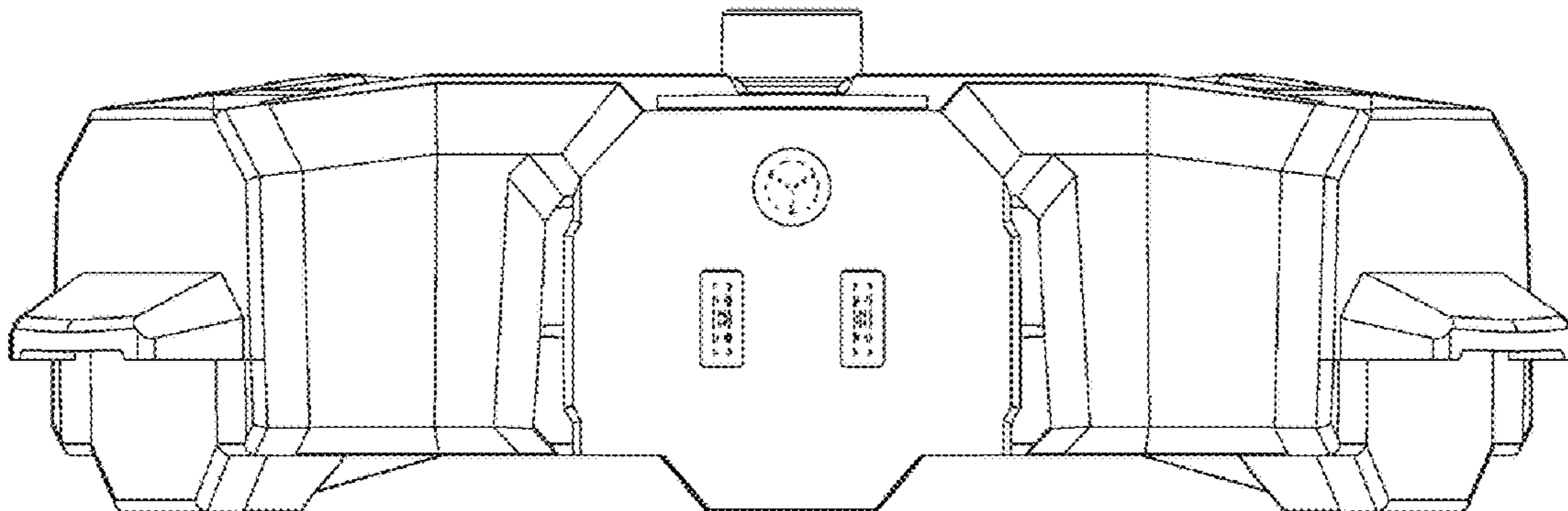
(57) **CLAIM**

The ornamental design for a power adapter, substantially as shown and described.

DESCRIPTION

FIG. 1 is a front elevation view of the power adapter with all of the receptacle covers closed;
FIG. 2 is a side elevation view thereof;
FIG. 3 is a rear elevation view thereof;
FIG. 4 is a top elevation view thereof;
FIG. 5 is a bottom elevation view thereof;
FIG. 6 is a perspective view thereof;
FIG. 7 is another perspective view thereof; and,
FIG. 8 is another perspective view thereof with all of the receptacle covers open.
In the drawings, the broken lines are for the purpose of illustrating environment only and form no part of the claimed design.

1 Claim, 4 Drawing Sheets



(56)

References Cited

OTHER PUBLICATIONS

U.S. Patent & Trademark Office; Office Action in U.S. Appl. No. 29/533,872; Nov. 2, 2016; USPTO; Alexandria, Virginia, All Pages. LDR Medical, by its attorneys; Reply to Office Action in U.S. Appl. No. 29/533,872; Feb. 2, 2017; USPTO; Alexandria, Virginia; All Pages.

* cited by examiner

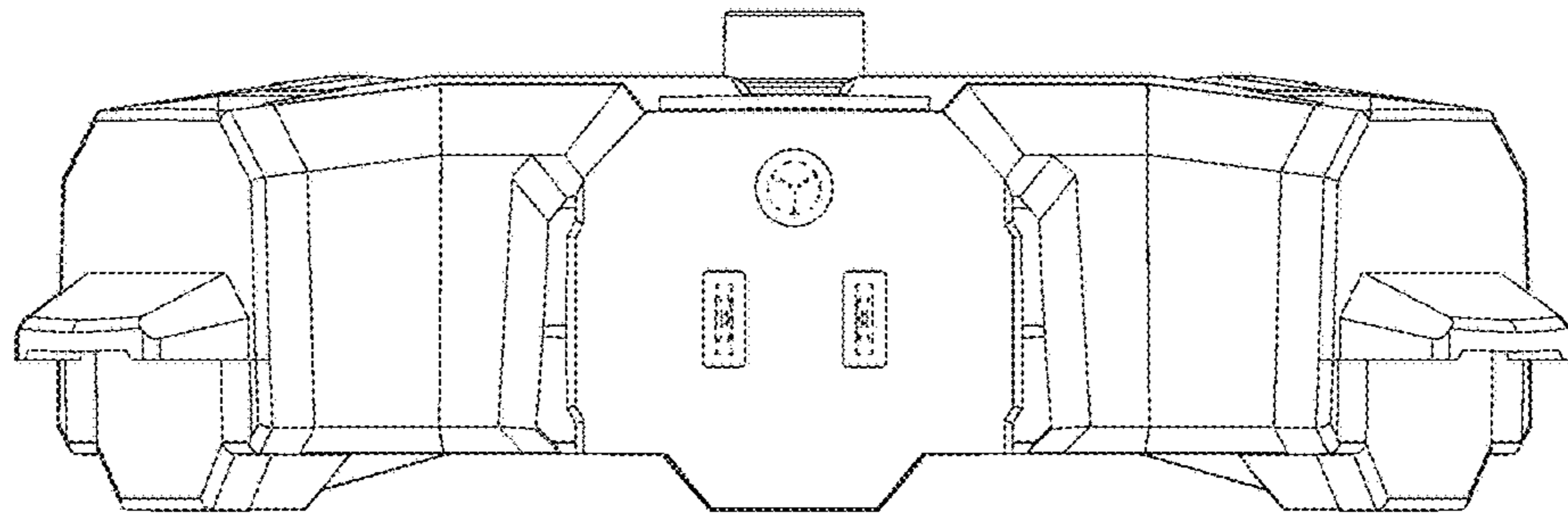


FIGURE 1

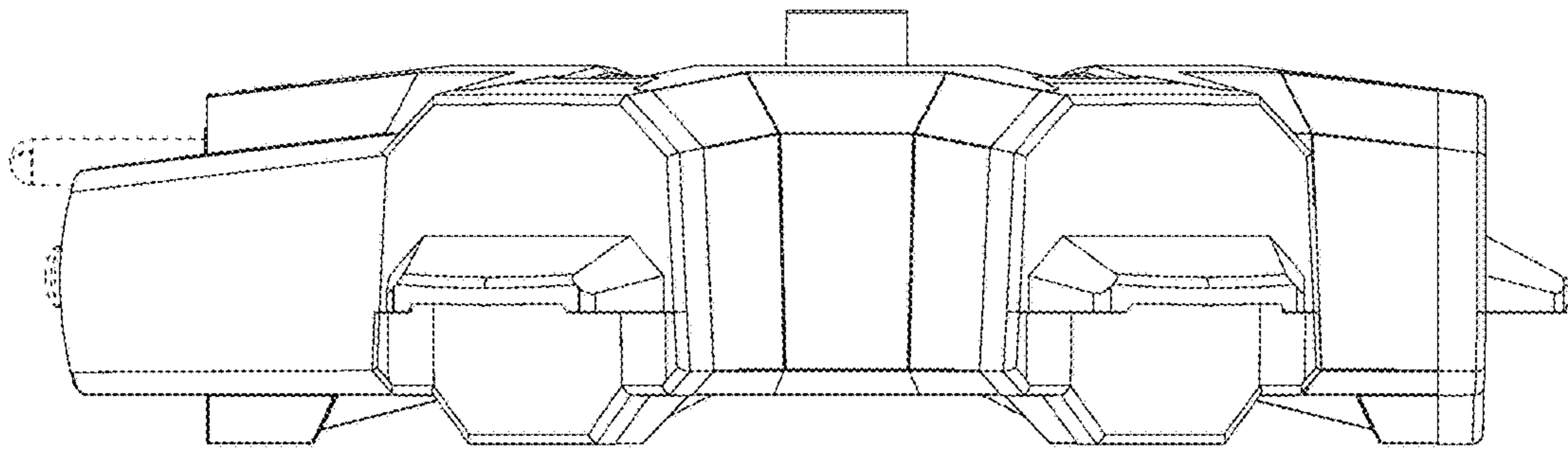


FIGURE 2

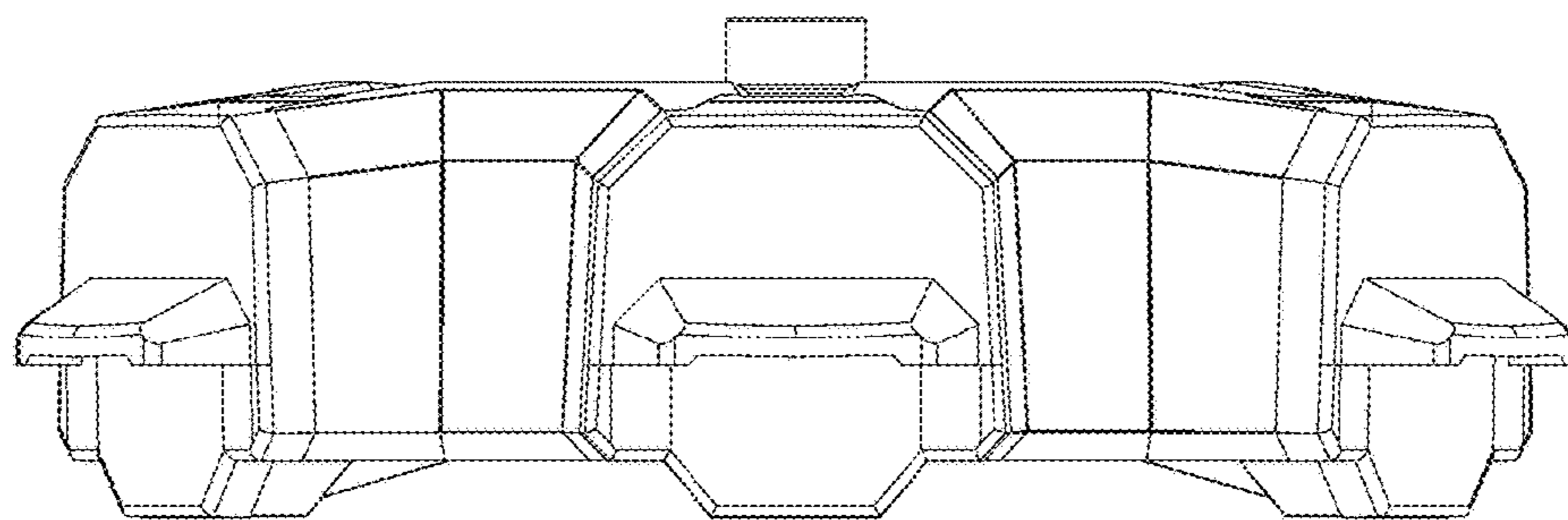
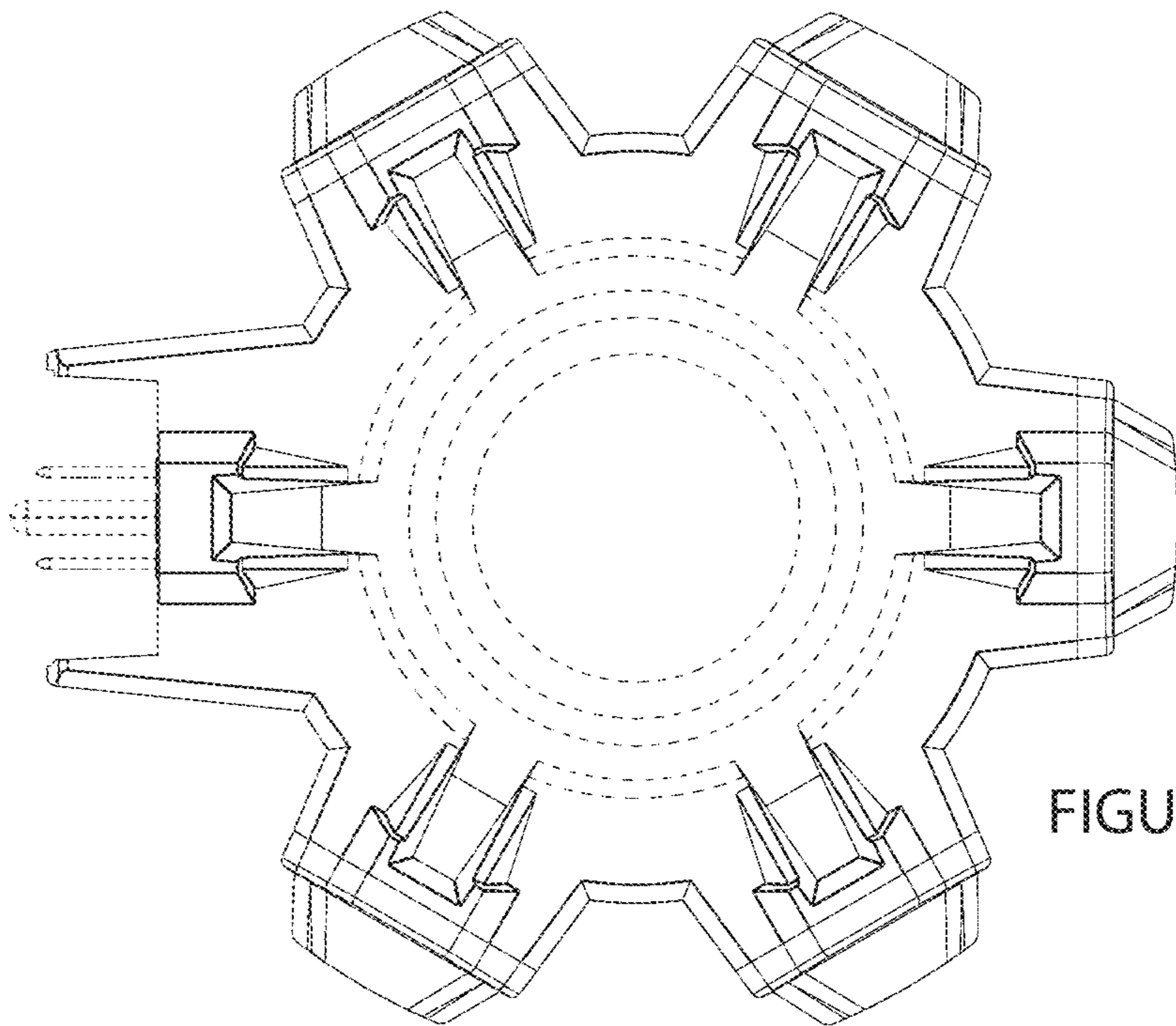
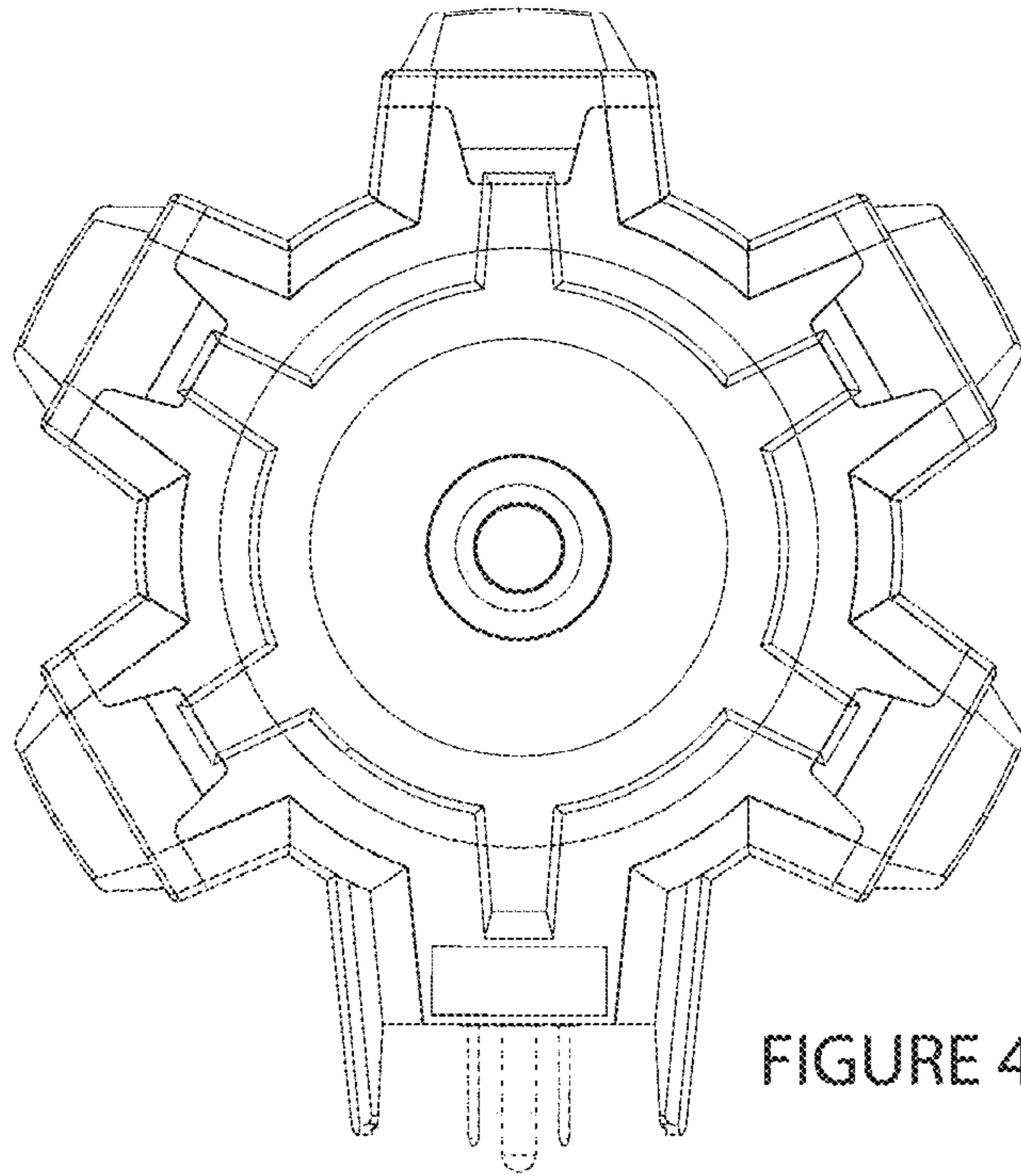


FIGURE 3



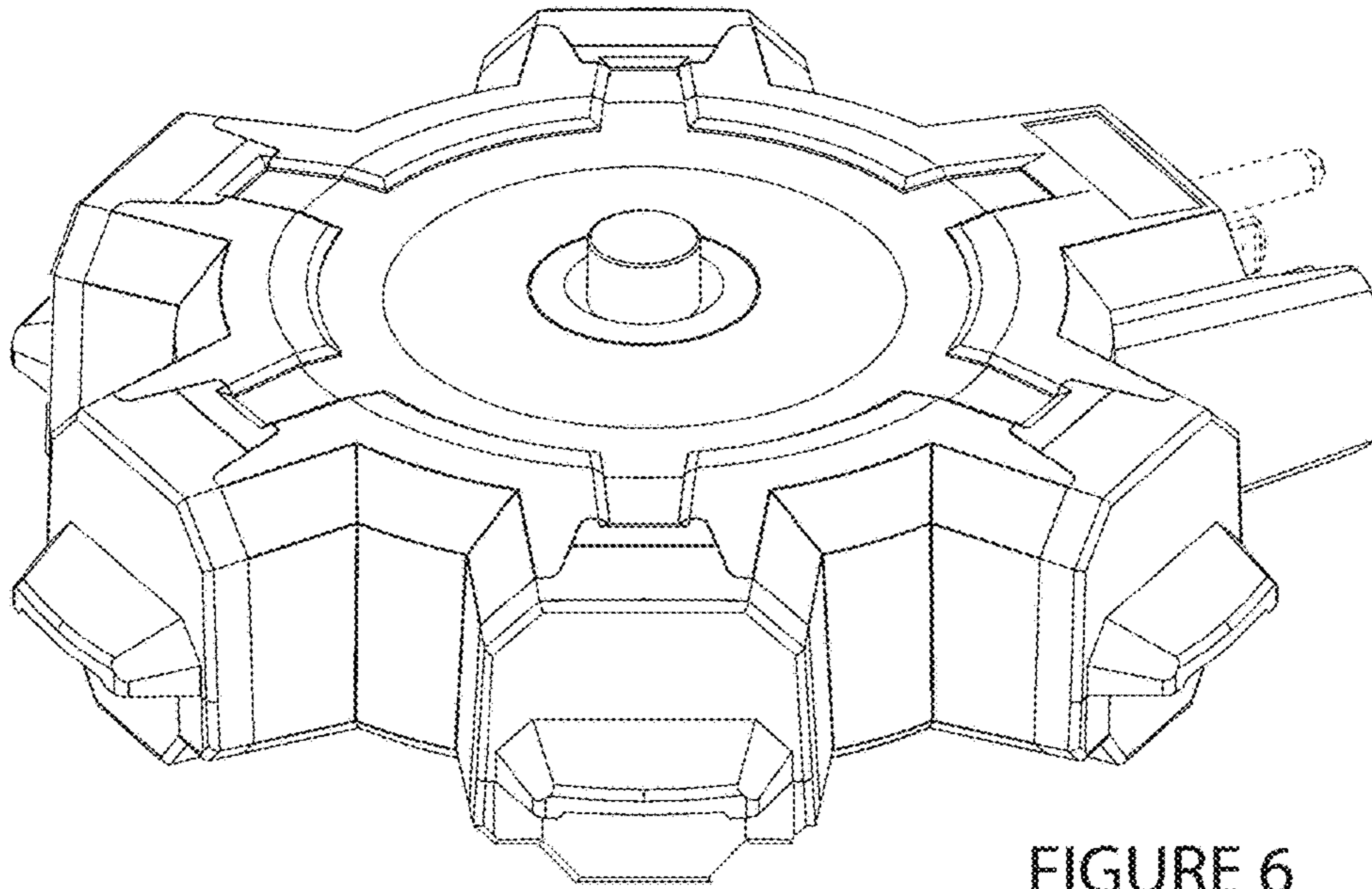


FIGURE 6

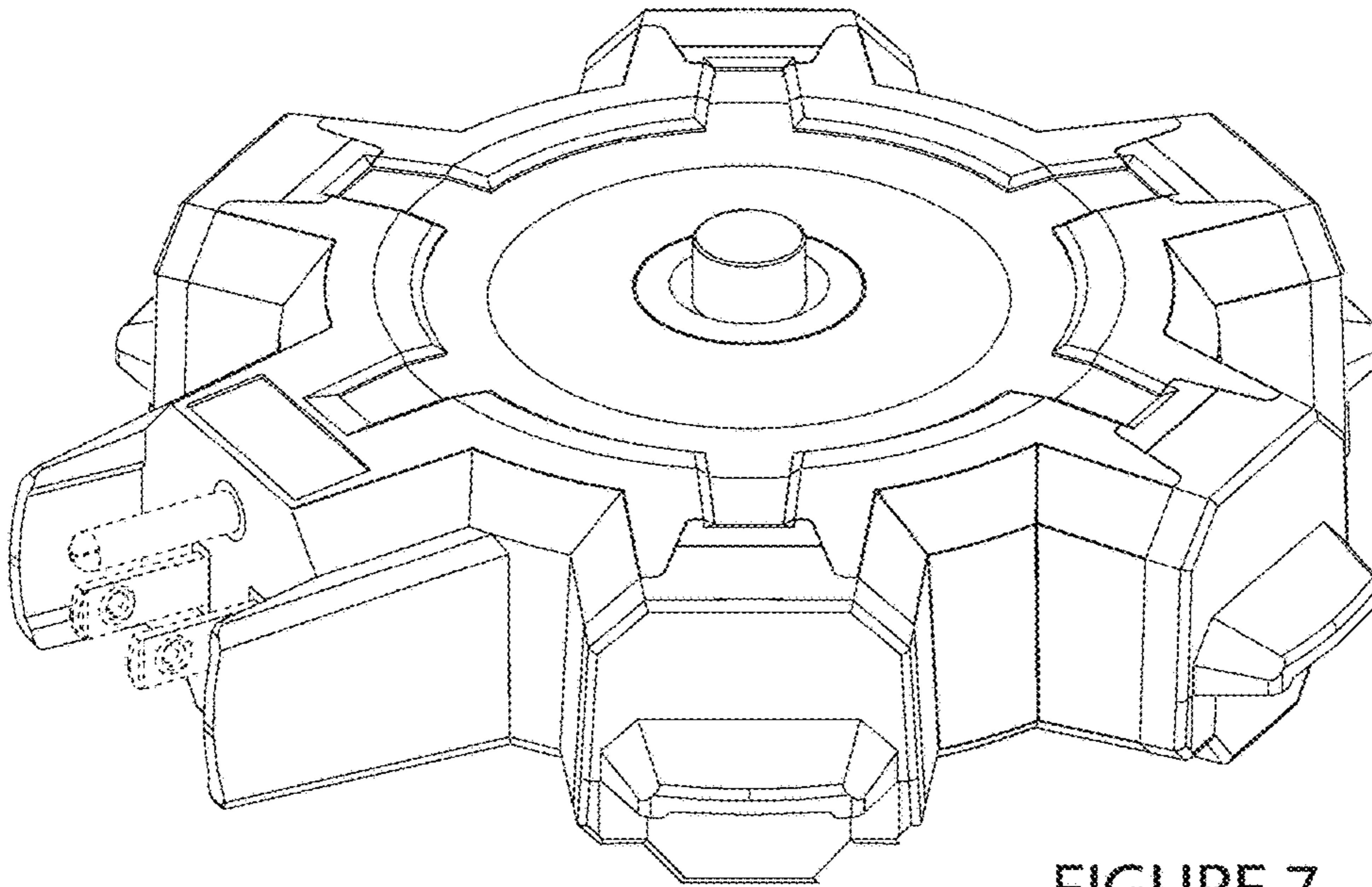


FIGURE 7

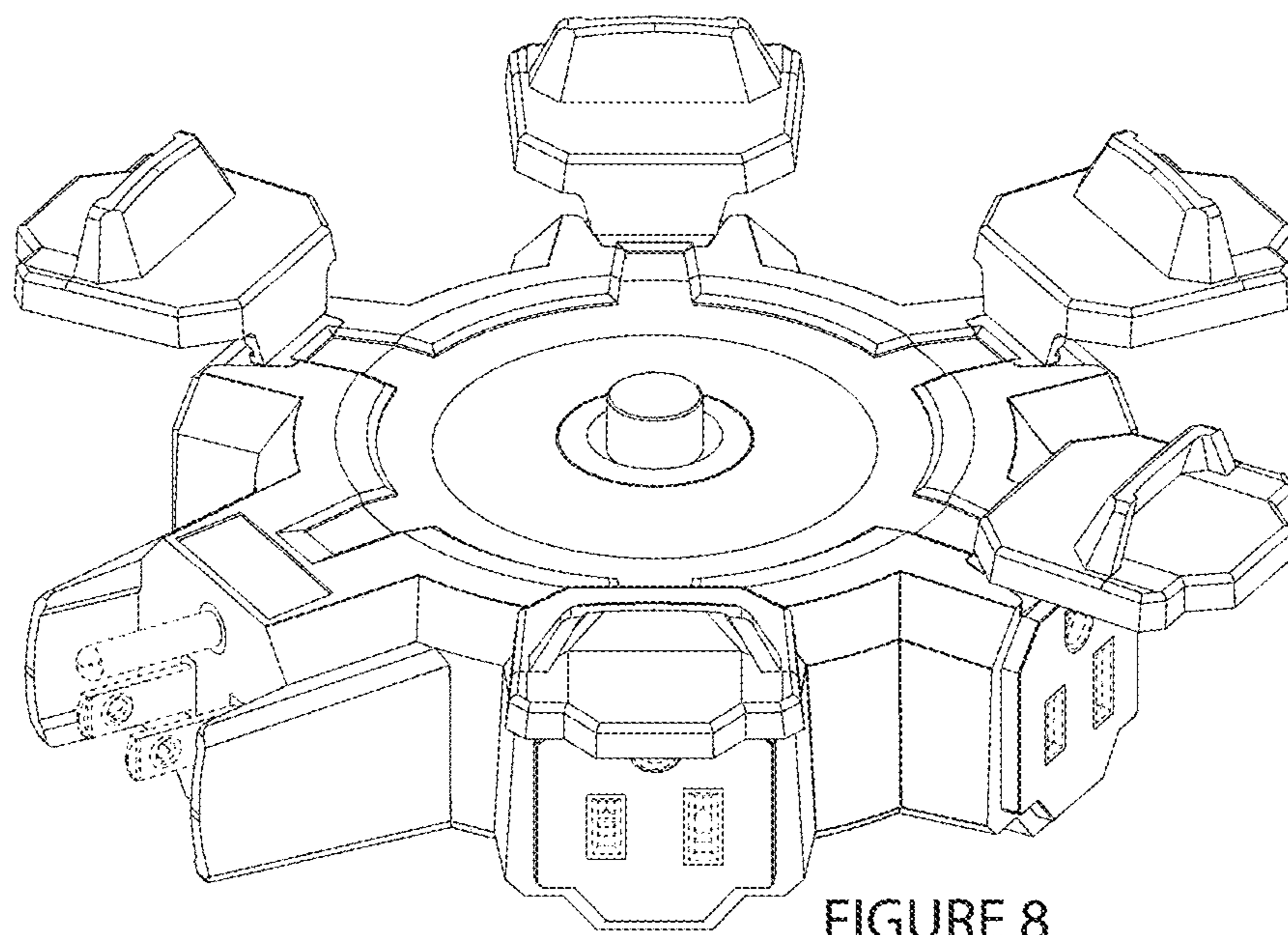


FIGURE 8