



US00D789890S

(12) **United States Design Patent**
Lai et al.

(10) **Patent No.:** **US D789,890 S**
(45) **Date of Patent:** **** Jun. 20, 2017**

(54) **INTELLIGENT LAMPHOLDER**

(71) Applicant: **Sky Light Electronic (Shenzhen) Limited Corporation, Shenzhen (CN)**

(72) Inventors: **Chung Man Lai, Shenzhen (CN); RiMing Fang, Shenzhen (CN); XinJie Mo, Shenzhen (CN)**

(**) Term: **15 Years**

(21) Appl. No.: **29/558,455**

(22) Filed: **Mar. 18, 2016**

(51) **LOC (10) Cl.** **13-03**

(52) **U.S. Cl.**
USPC **D13/134; D26/2**

(58) **Field of Classification Search**
USPC ... D6/2, 3, 8, 23-27, 37, 38, 39, 40, 42, 43, D6/44, 46, 48, 49, 50, 60, 61, 63, 65, 67, D6/70, 72-85, 88, 89, 91, 104, 106, 113, D6/118, 119, 120, 122, 135, 137, 138, D6/140-145, 148, 152, 153, 155, 156; D10/111-115; D13/133-135; D14/473; D25/126-135

CPC F21S 2/00; F21S 4/20; F21S 8/00; F21S 8/02; F21S 8/031; F21S 8/035; F21S 8/037; F21S 9/00; F21V 21/005; F21V 33/00; F21V 23/04; F21V 23/06

See application file for complete search history.

(56) **References Cited**

U.S. PATENT DOCUMENTS

D262,405 S * 12/1981 Zabransky D26/2
D284,757 S * 7/1986 Engel D13/135
4,632,490 A * 12/1986 Von Gunten H01R 33/9555
439/108
D290,110 S * 6/1987 Blaisdell D13/135
D291,557 S * 8/1987 Engel D13/135
D296,549 S * 7/1988 Fenne D13/134

D321,502 S * 11/1991 Ilemo D13/135
D354,146 S * 1/1995 Chamberlain D26/3
D364,142 S * 11/1995 Metcalfe D13/134
D461,260 S * 8/2002 Sundhar D26/2
D494,687 S * 8/2004 Matsui D13/180
D517,480 S * 3/2006 Luo D13/134
D537,548 S * 2/2007 Yan D26/3
D563,573 S * 3/2008 Vamos D26/2
D583,761 S * 12/2008 Schenck D13/134
D586,928 S * 2/2009 Liu D26/2
D632,407 S * 2/2011 Choi D26/2
D640,804 S * 6/2011 Vamos D26/2
D653,362 S * 1/2012 Espiau D26/2
D664,878 S * 8/2012 Schenck D10/106.8
D722,709 S * 2/2015 Bosua D26/2
D729,739 S * 5/2015 Paolo D13/134
D740,873 S * 10/2015 Scalisi D16/203
9,377,185 B2 * 6/2016 Preuschl F21V 23/06

(Continued)

Primary Examiner — Garth Rademaker

Assistant Examiner — Richard Kearney

(74) *Attorney, Agent, or Firm* — Prakash Nama; Global IP Services, PLLC

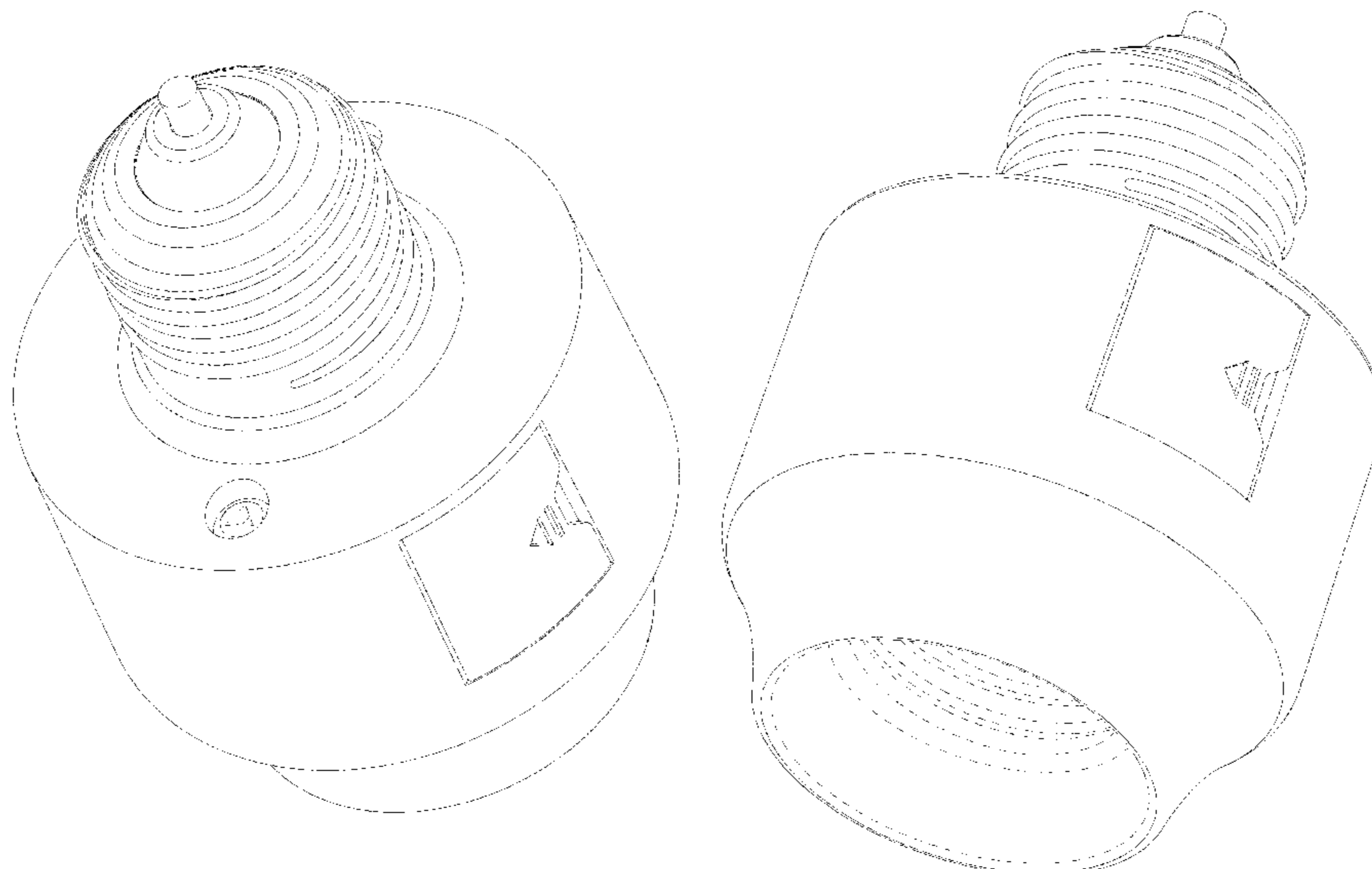
(57) **CLAIM**

The ornamental design for an intelligent lampholder, as shown and described.

DESCRIPTION

FIG. 1 is a front elevational view of an intelligent lampholder showing my new design;
FIG. 2 is a left side view thereof;
FIG. 3 is a right side view thereof;
FIG. 4 is a top plan view thereof;
FIG. 5 is a bottom plan view thereof;
FIG. 6 is a perspective view thereof; and,
FIG. 7 is another perspective view thereof.
The broken lines shown the drawings illustrate portions of the intelligent lampholder that form no part of the claimed design.

1 Claim, 7 Drawing Sheets



(56)

References Cited

U.S. PATENT DOCUMENTS

2015/0252957 A1* 9/2015 Adams F21V 7/0008
313/318.01

* cited by examiner

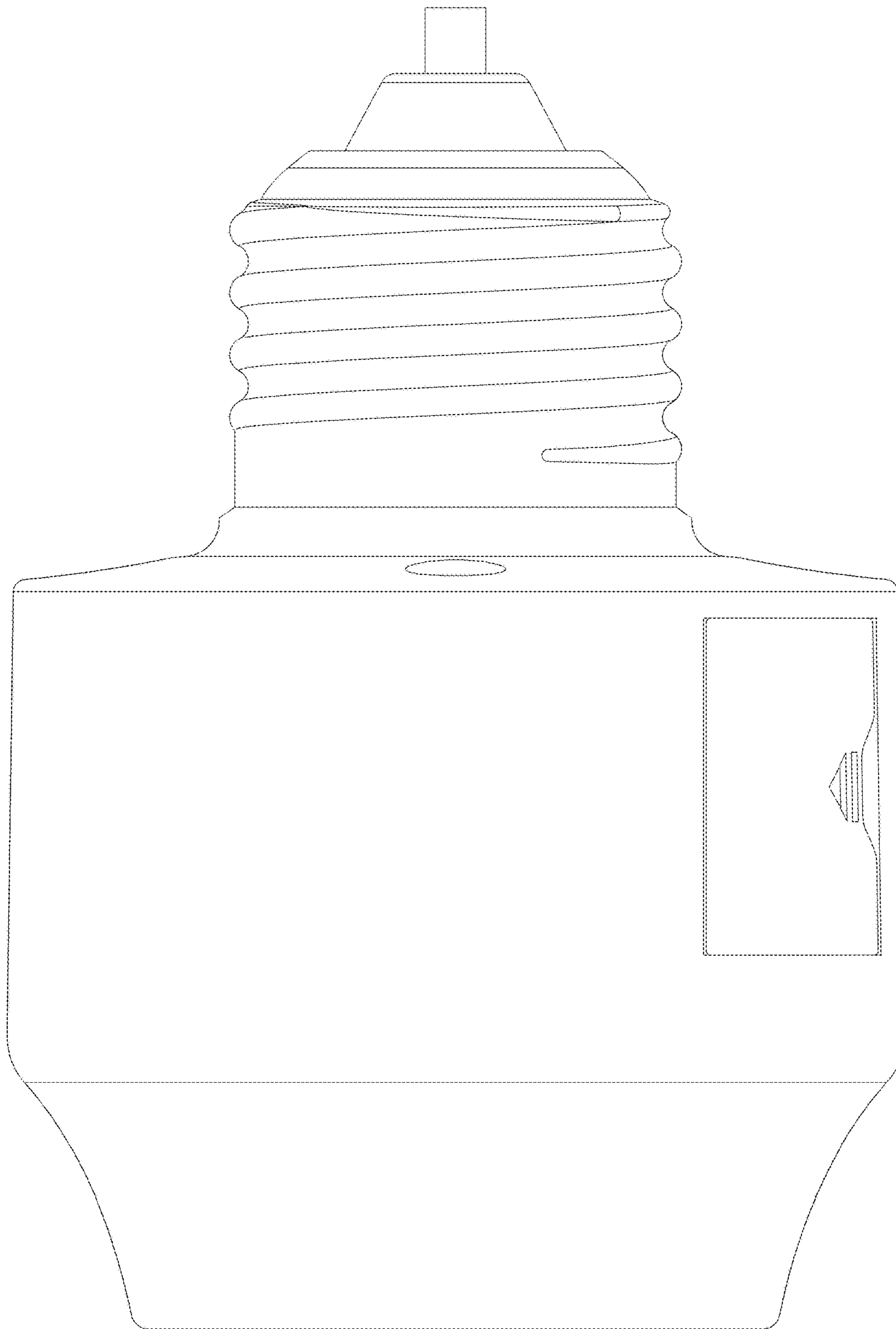


FIG. 1

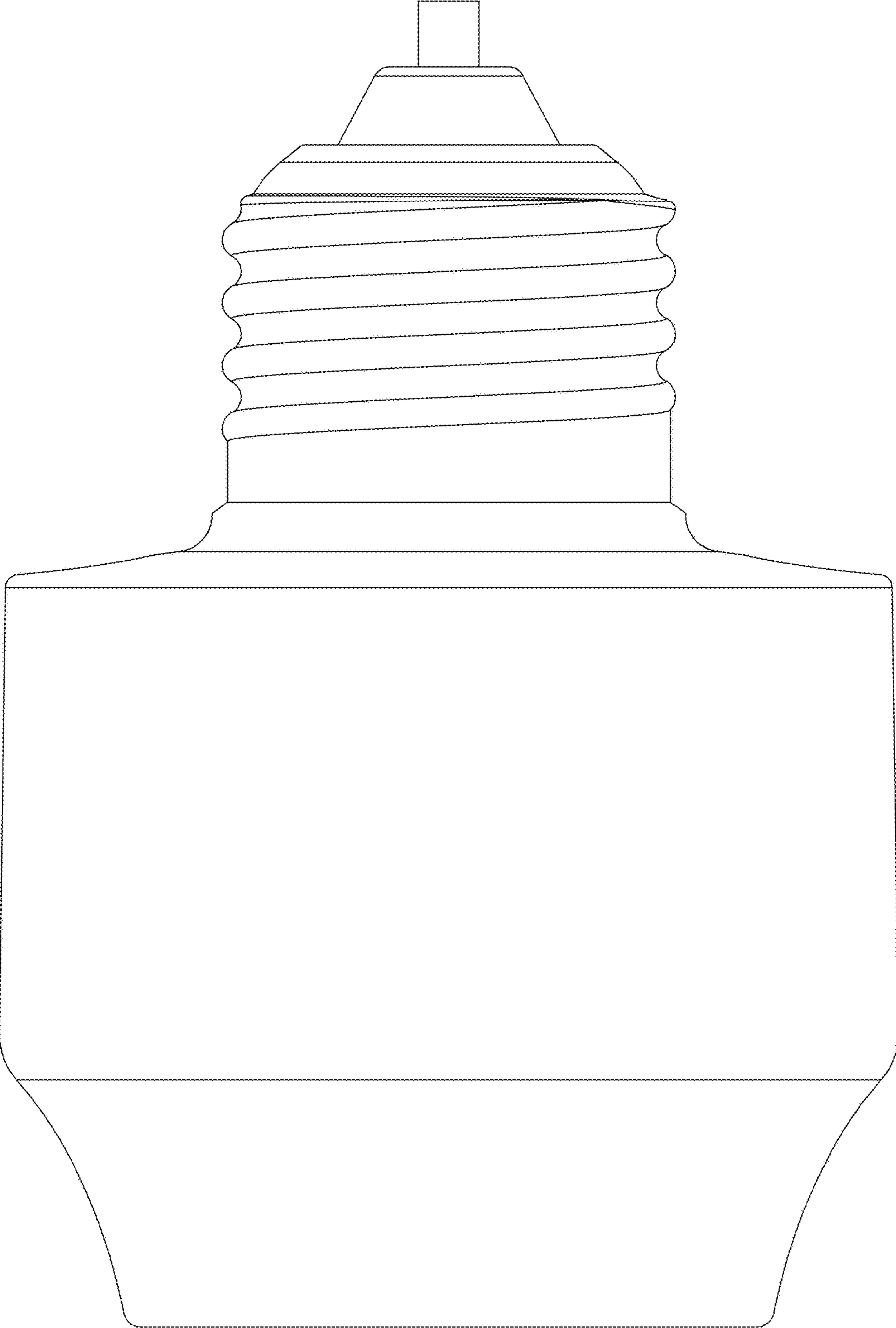


FIG. 2

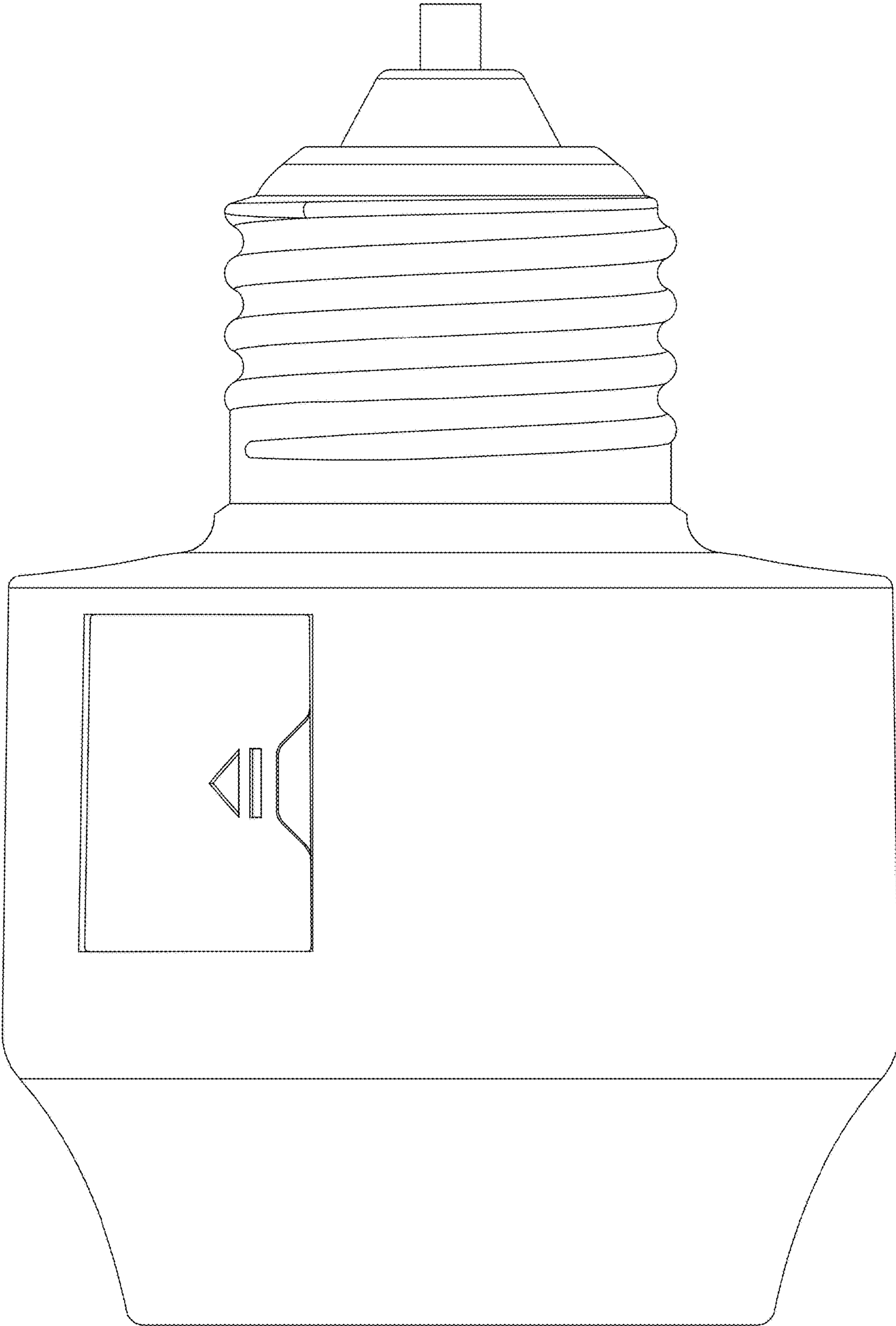


FIG. 3



FIG. 4

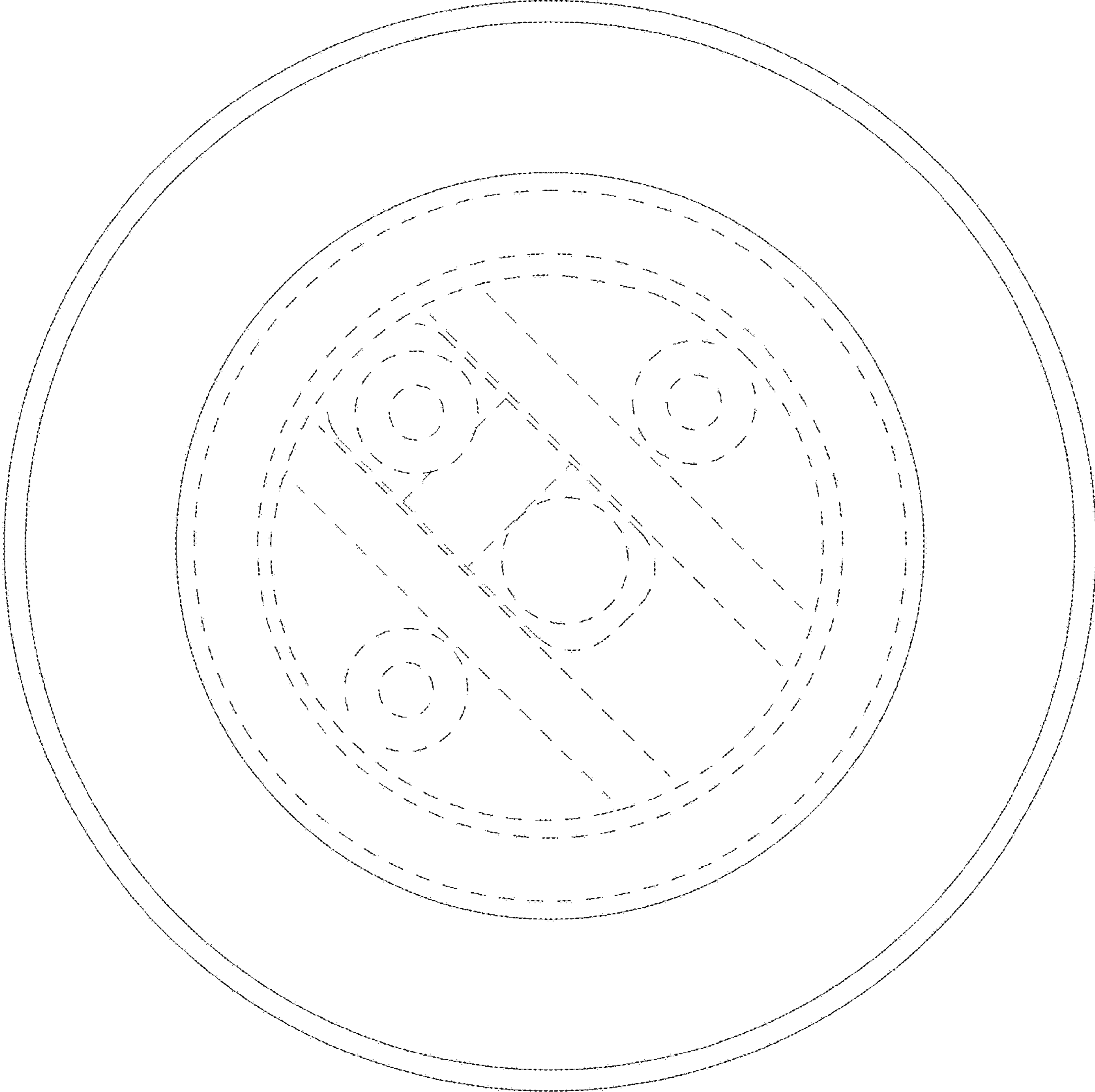


FIG. 5

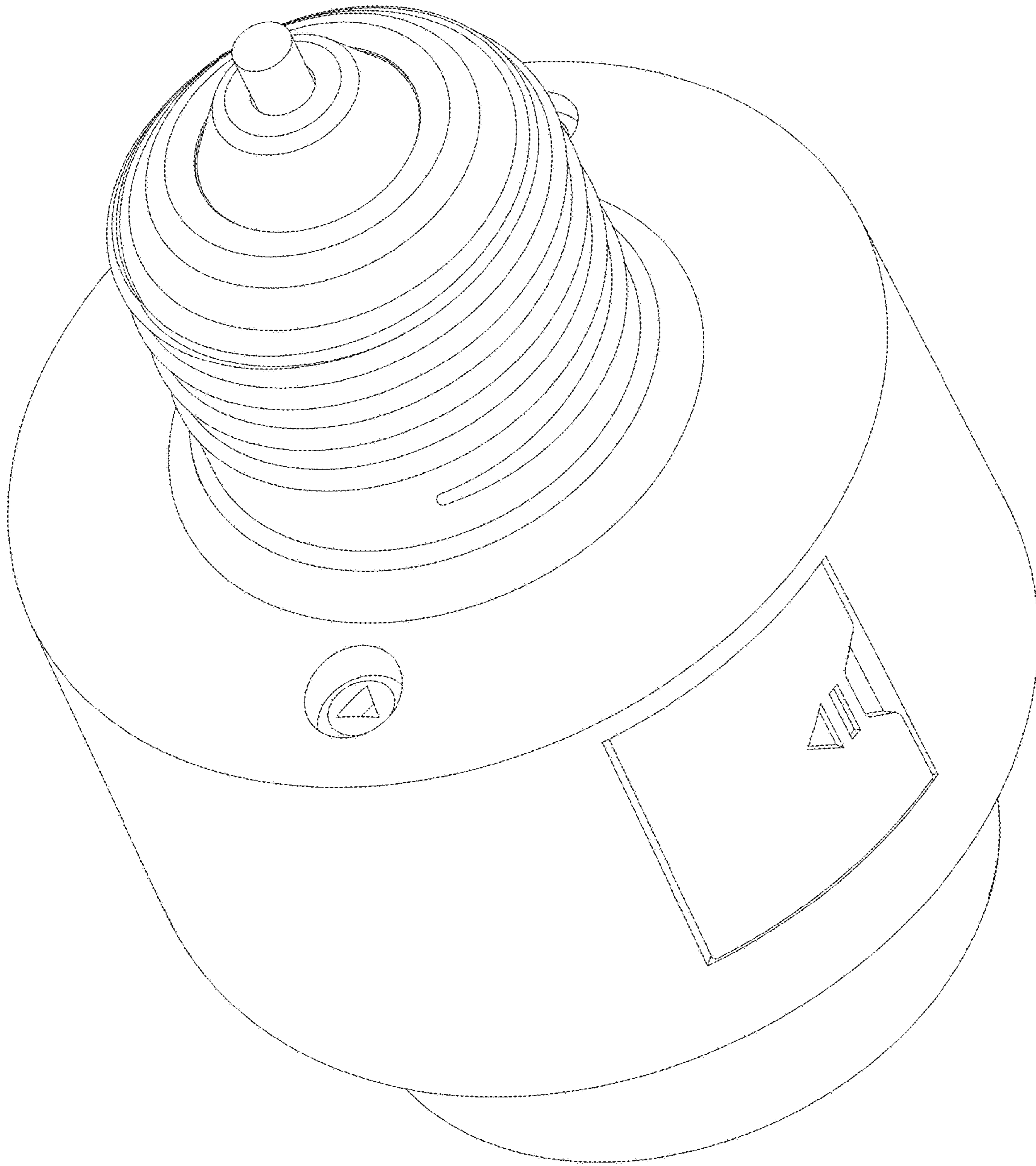


FIG. 6

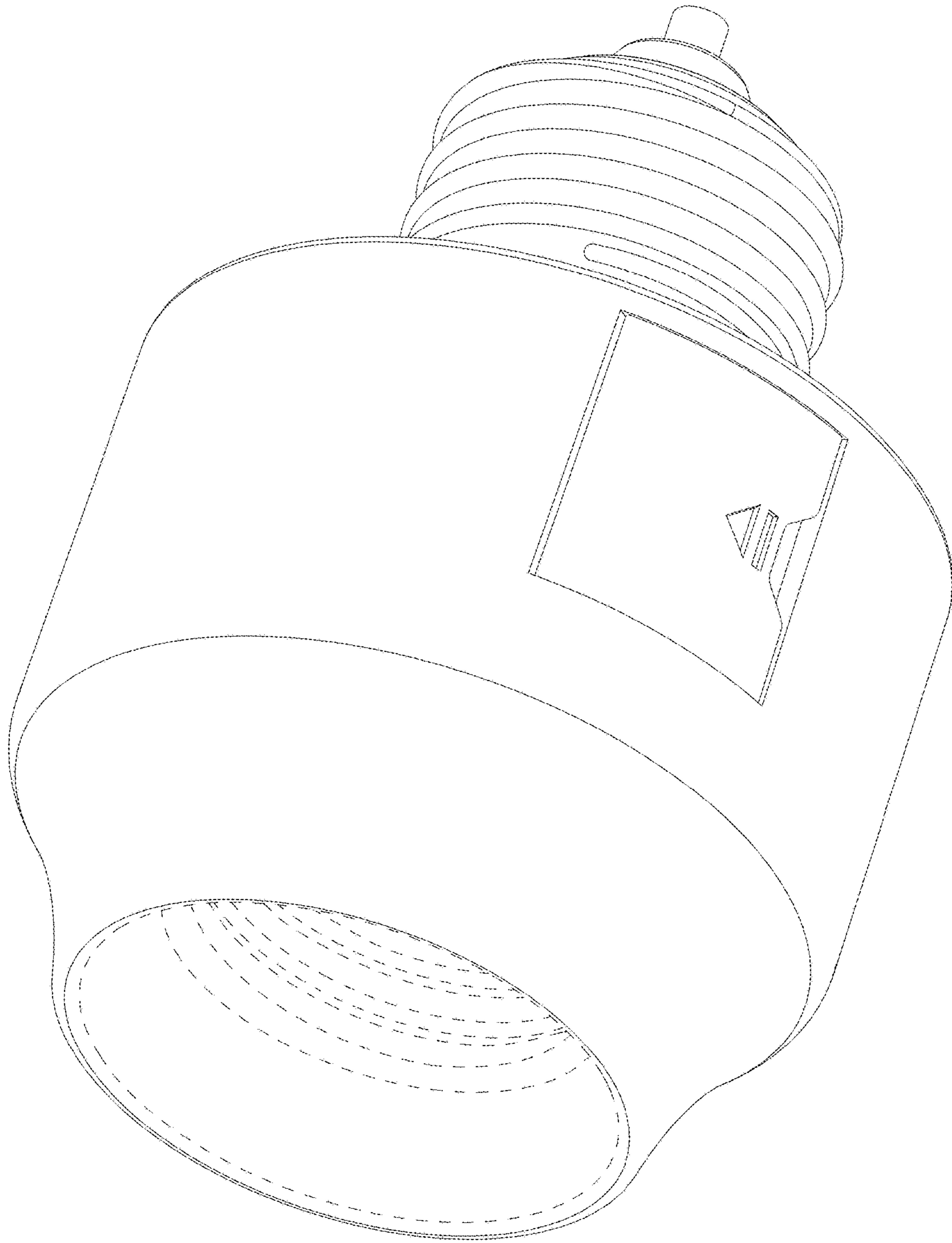


FIG. 7