



US00D789889S

(12) **United States Design Patent**
Katagiyama et al.

(10) **Patent No.:** **US D789,889 S**
(45) **Date of Patent:** **** Jun. 20, 2017**

(54) **ADAPTER FOR OPTICAL CONNECTORS**

(71) Applicant: **Japan Aviation Electronics Industry, Limited**, Tokyo (JP)

(72) Inventors: **Naoki Katagiyama**, Tokyo (JP); **Yuichi Koreeda**, Tokyo (JP)

(73) Assignee: **Japan Aviation Electronics Industry, Limited**, Tokyo (JP)

(**) Term: **15 Years**

(21) Appl. No.: **29/549,249**

(22) Filed: **Dec. 21, 2015**

(30) **Foreign Application Priority Data**

Jul. 13, 2015 (JP) 2015-015496

(51) **LOC (10) Cl.** **13-03**

(52) **U.S. Cl.**
USPC **D13/133**

(58) **Field of Classification Search**

USPC D13/123, 133, 134, 137.1–137.4, 138.1, D13/138.2, 139.1, 139.7, 144–147, 149, D13/154–156, 173, 184, 199, 110, 118
CPC ... H01B 7/00; H01R 9/00; H01R 9/05; H01R 9/24; H01R 13/00; H01R 13/44; H01R 13/62; G02B 6/36; G02B 6/38; G02B 6/424

See application file for complete search history.

(56) **References Cited**

U.S. PATENT DOCUMENTS

D683,701 S * 6/2013 Svelnis D13/133
D709,829 S * 7/2014 McKee D13/110
D717,247 S * 11/2014 Nagasawa D13/133
D733,655 S * 7/2015 Sato D13/133
D734,266 S * 7/2015 Sato D13/133
D747,692 S * 1/2016 Katagiyama D13/154
D753,594 S * 4/2016 Katagiyama D13/133

D776,616 S * 1/2017 Katagiyama D13/133
D777,106 S * 1/2017 Katagiyama D13/133
2010/0104355 A1* 4/2010 Sugimoto G02B 6/3897
403/292
2010/0239213 A1* 9/2010 Katagiyama G02B 6/3825
385/94

(Continued)

FOREIGN PATENT DOCUMENTS

JP 1366116 S 8/2009
JP 1395282 S 8/2010
JP 1524474 S 5/2015

Primary Examiner — Thomas Johannes

Assistant Examiner — Shawn T Gingrich

(74) *Attorney, Agent, or Firm* — Cermak Nakajima & McGowan LLP; Tomoko Nakajima

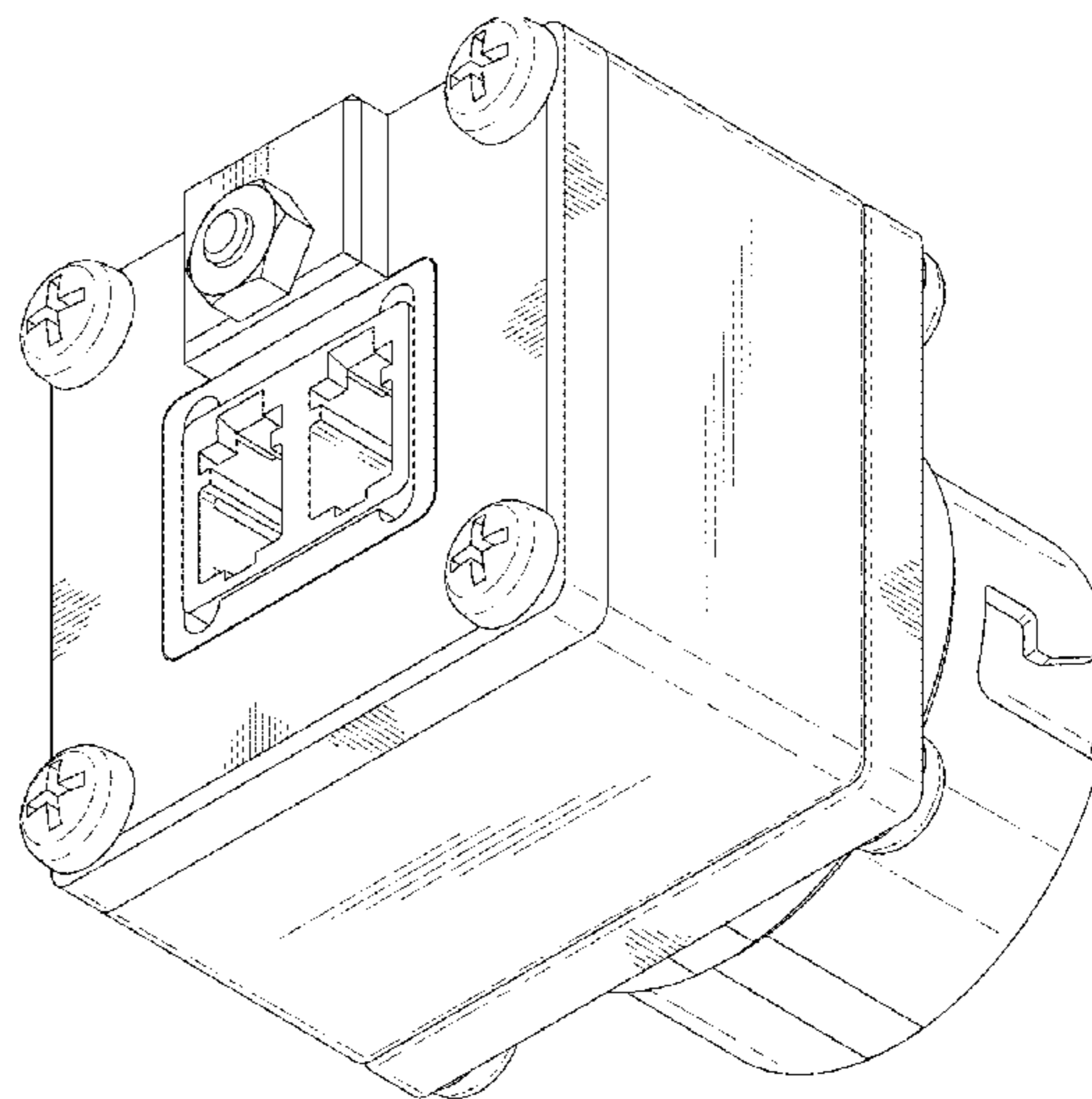
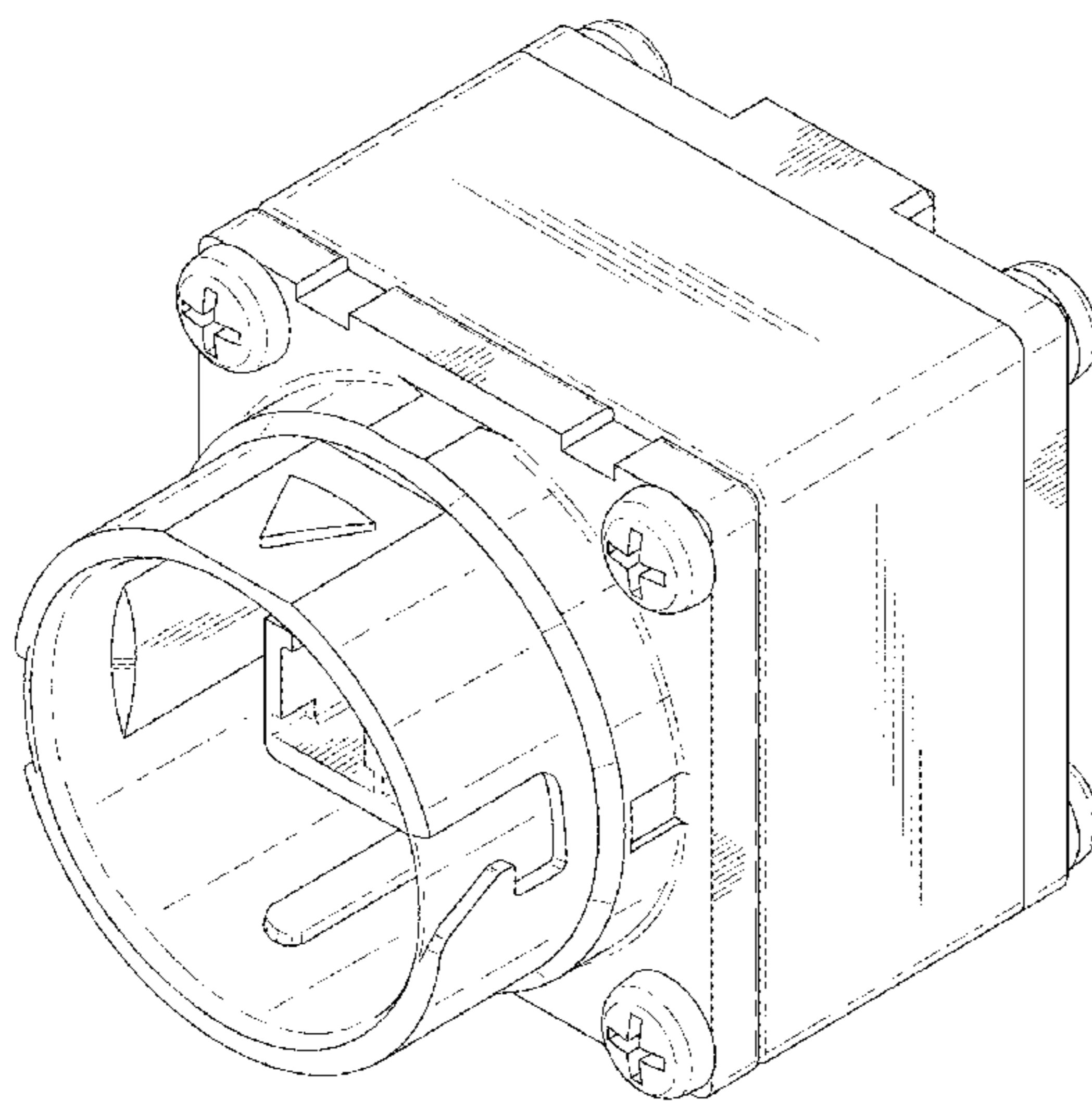
(57) **CLAIM**

The ornamental design for an adapter for optical connectors, as shown and described.

DESCRIPTION

FIG. 1 is a front elevational view of an adapter for optical connectors showing our new design; FIG. 2 is a top plan view thereof; FIG. 3 is a right side elevational view thereof; FIG. 4 is a left side elevational view thereof; FIG. 5 is a rear elevational view thereof; and FIG. 6 is a bottom plan view thereof. FIG. 7 is a front and top perspective view thereof; FIG. 8 is a rear and top perspective view thereof; FIG. 9 is a front and bottom perspective view thereof; and, FIG. 10 is a rear and bottom perspective view thereof. The broken line portion of the figure drawings is included to show portions of the article that form no part of the claimed design. The dash-dot line represents the boundary of the claimed design.

1 Claim, 10 Drawing Sheets



(56)

References Cited

U.S. PATENT DOCUMENTS

2011/0158586 A1* 6/2011 Katagiyama G02B 6/3825
385/55
2014/0368069 A1* 12/2014 Ren H01R 13/622
310/71

* cited by examiner

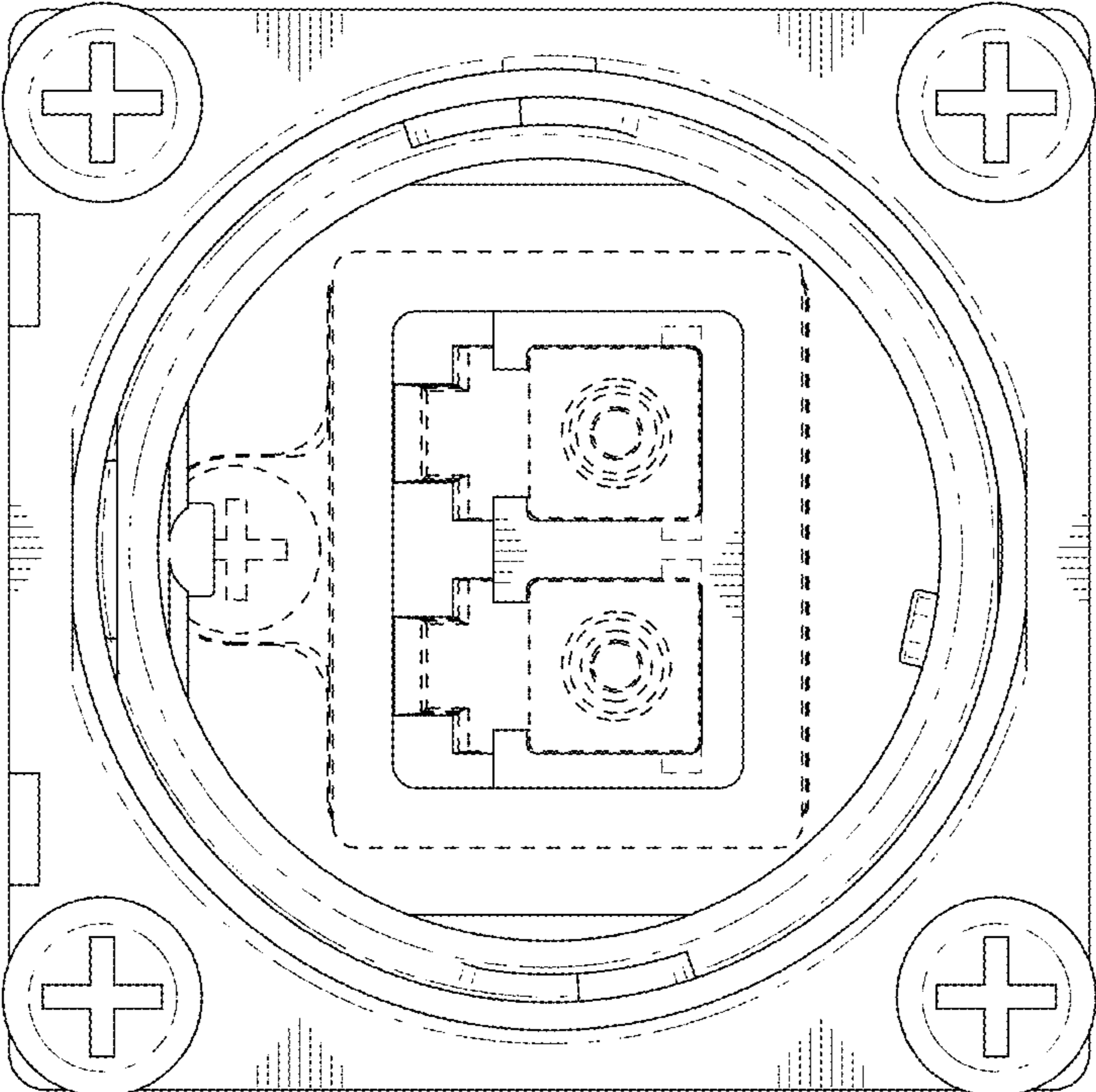


FIG.1

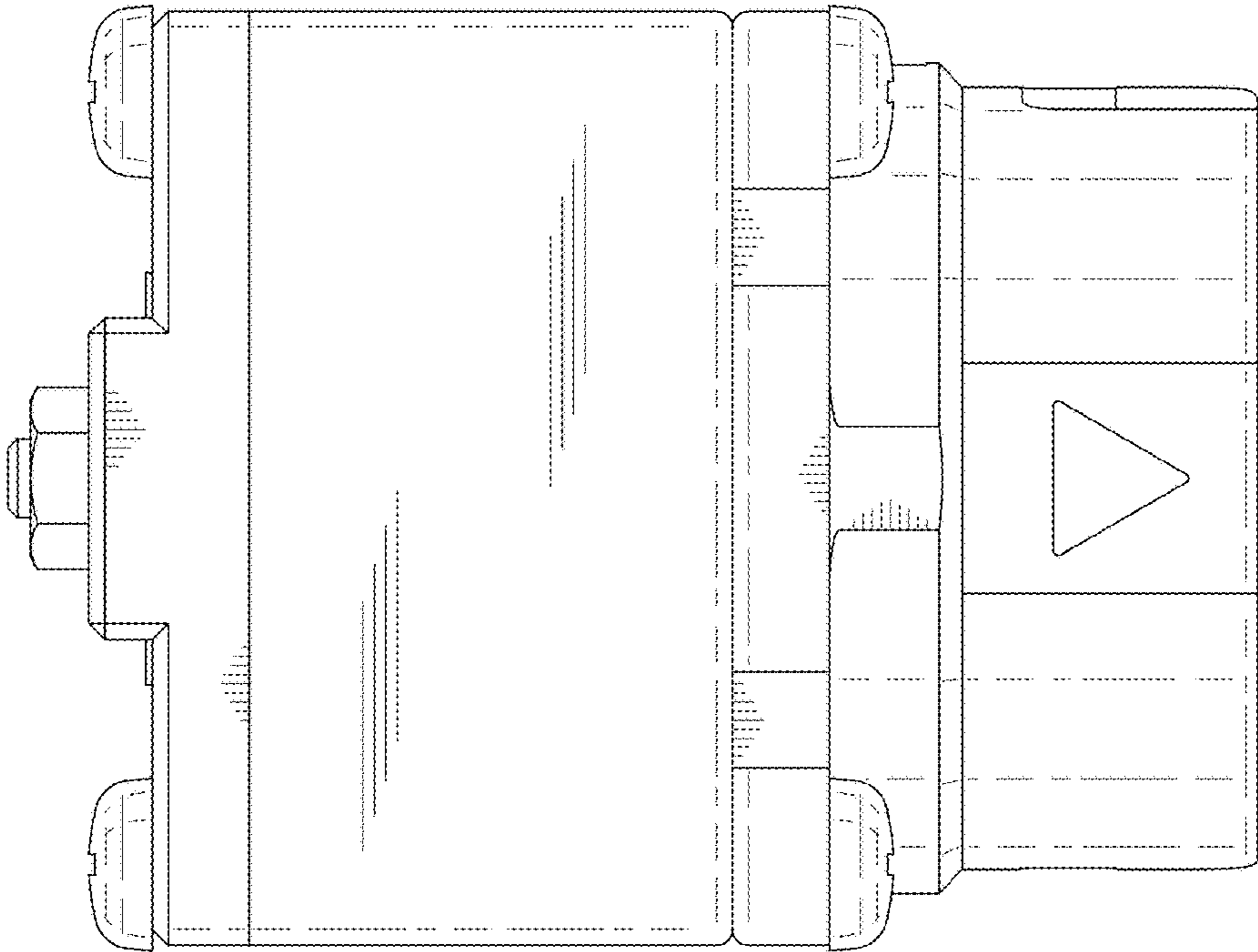


FIG.2

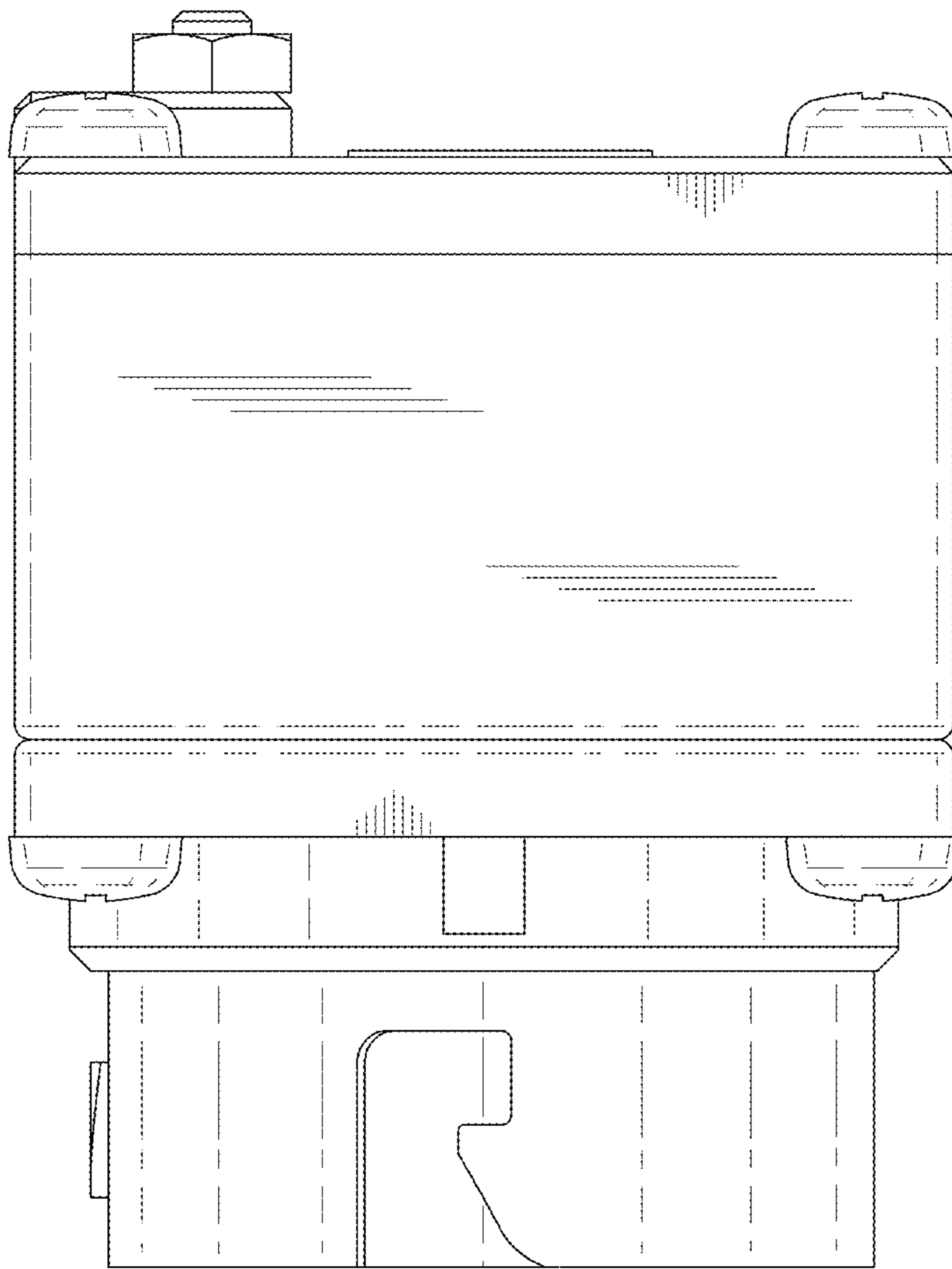


FIG.3

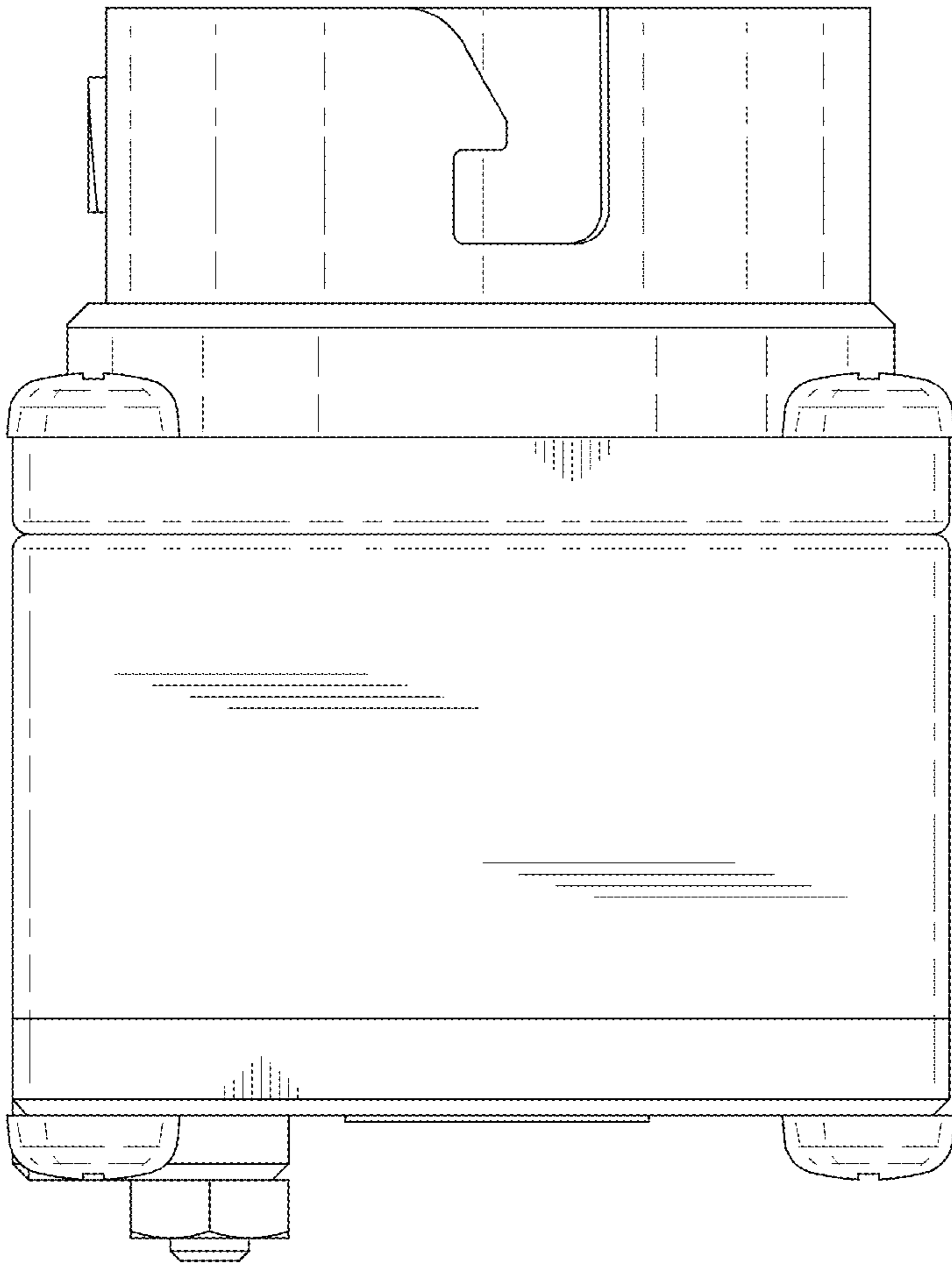


FIG.4

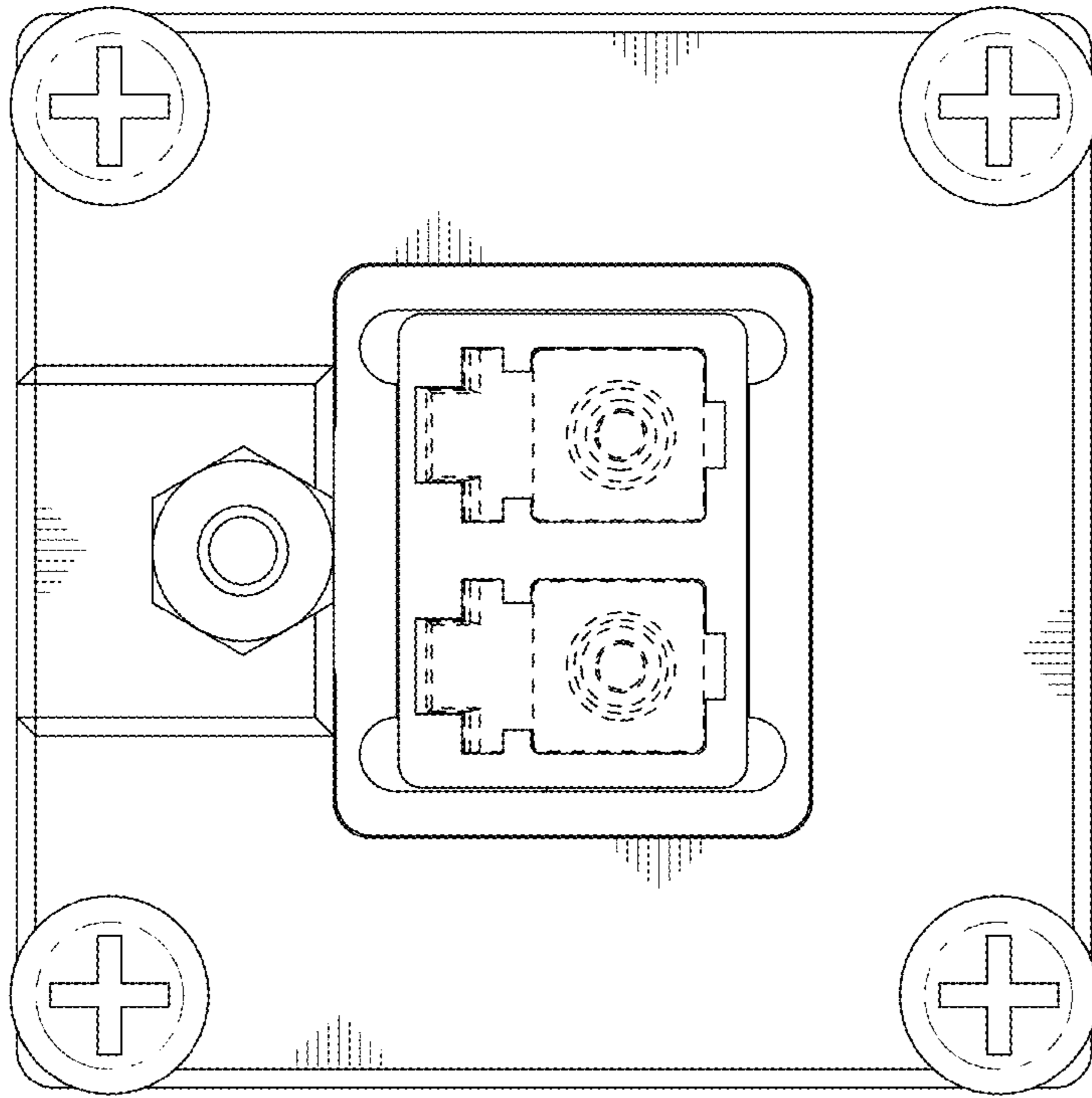


FIG.5

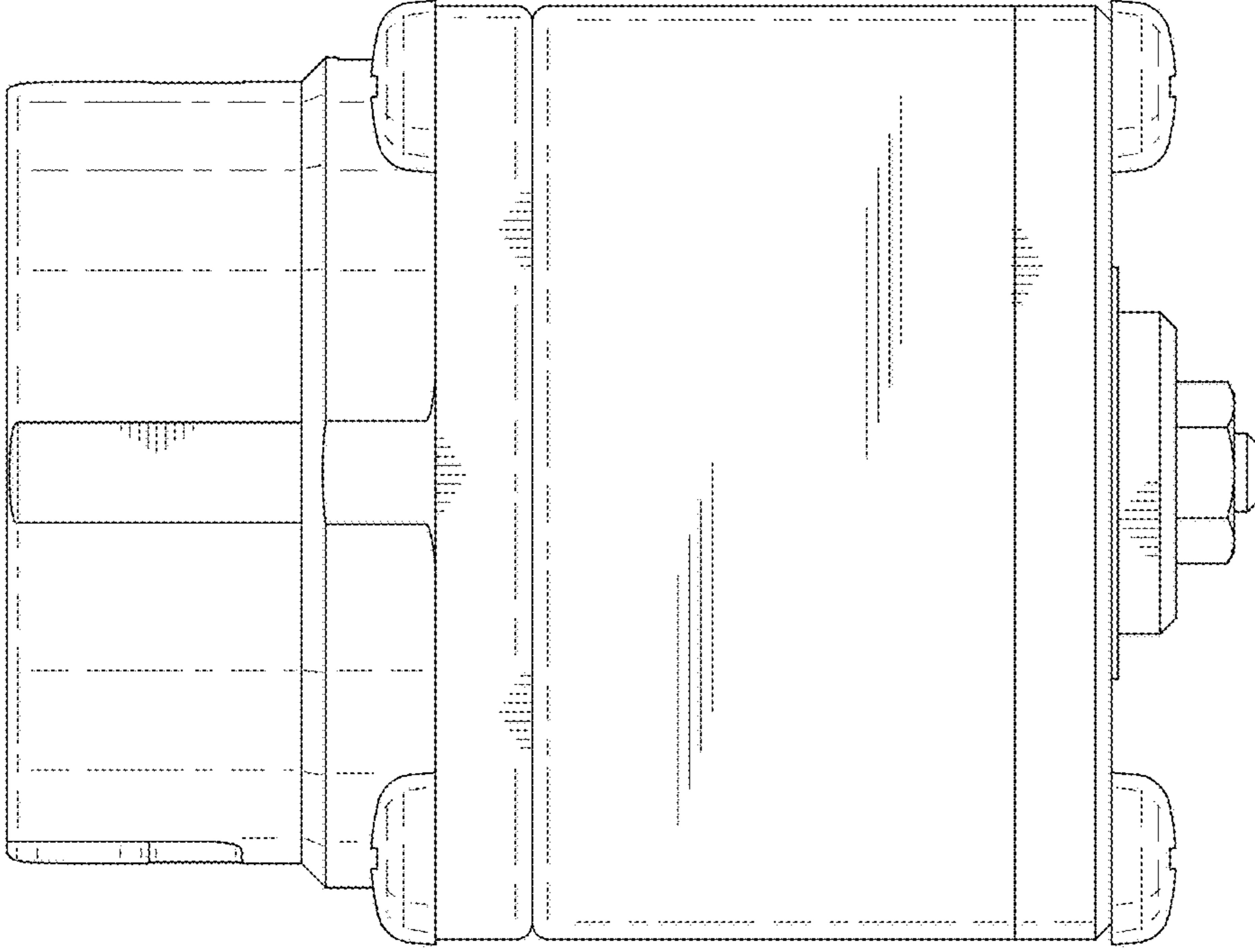


FIG.6

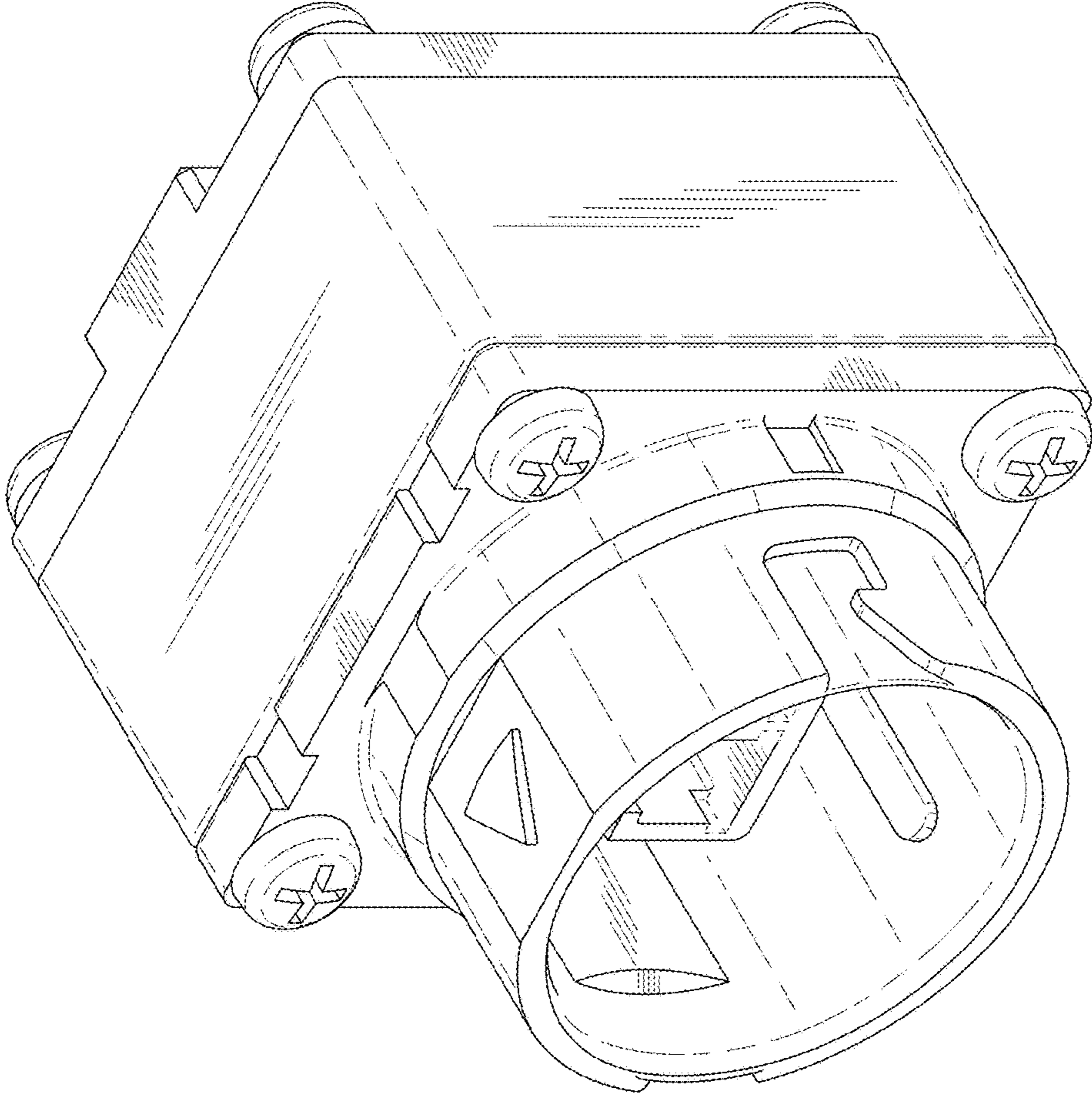


FIG.7

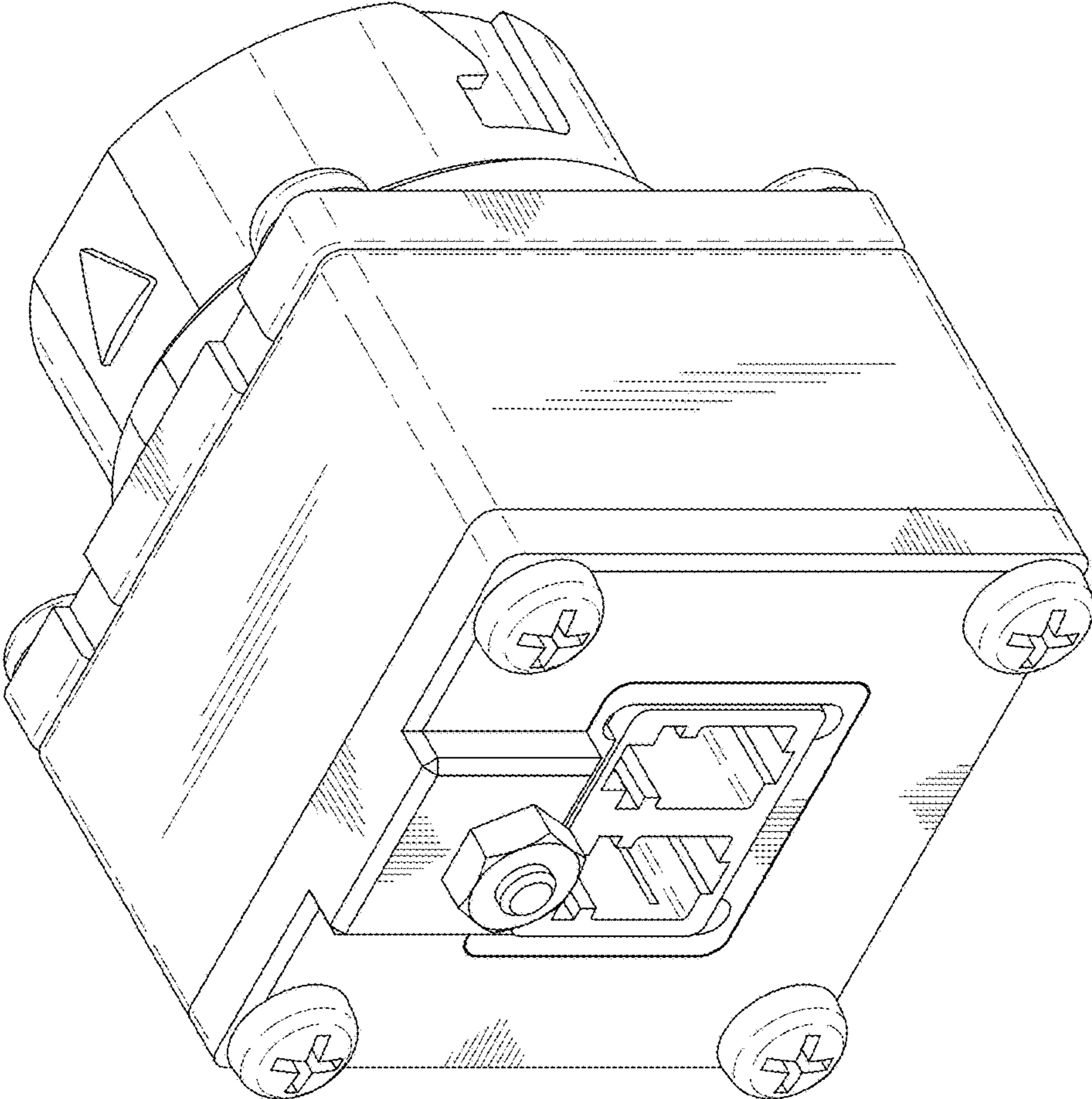


FIG.8

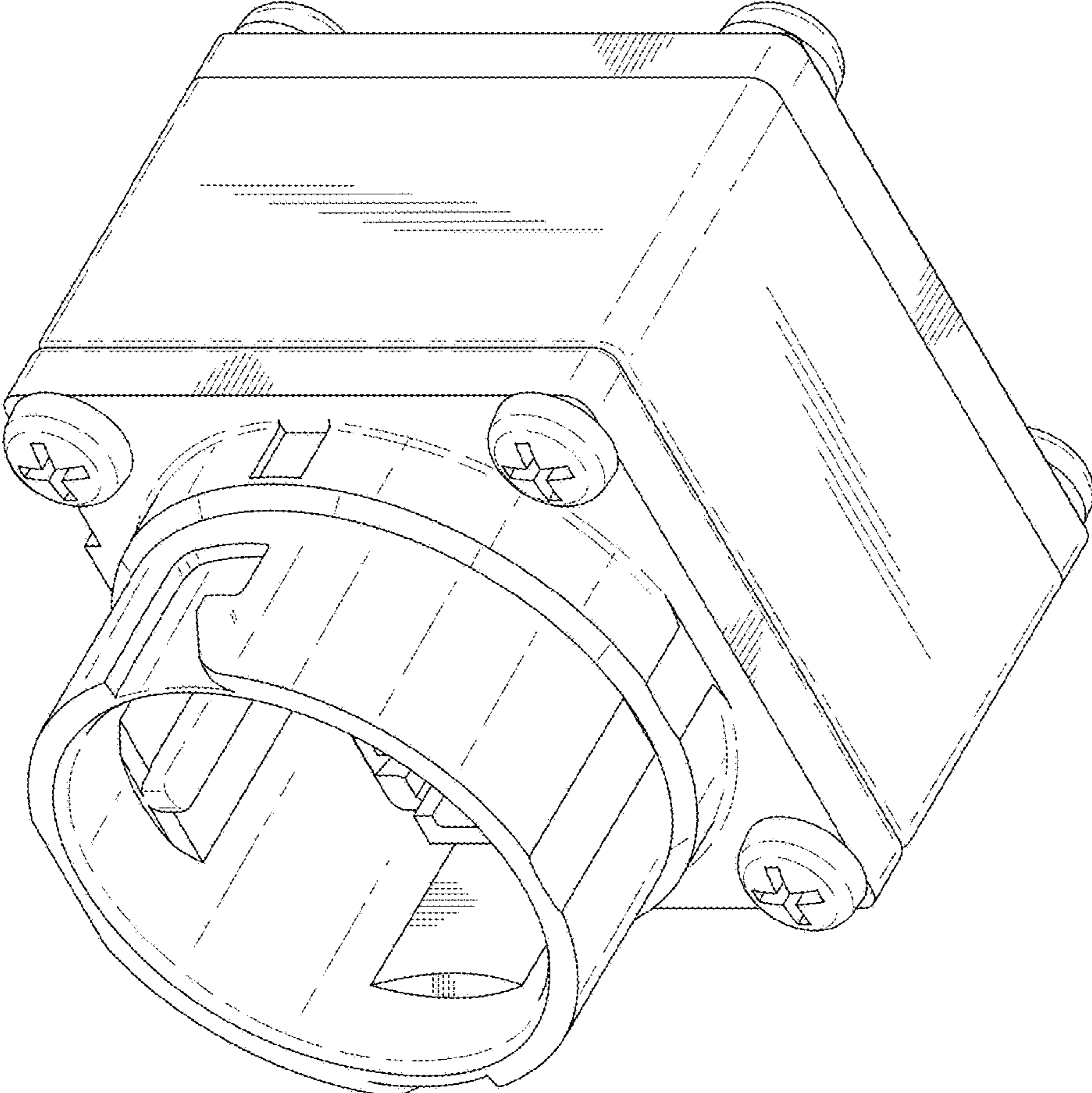


FIG.9

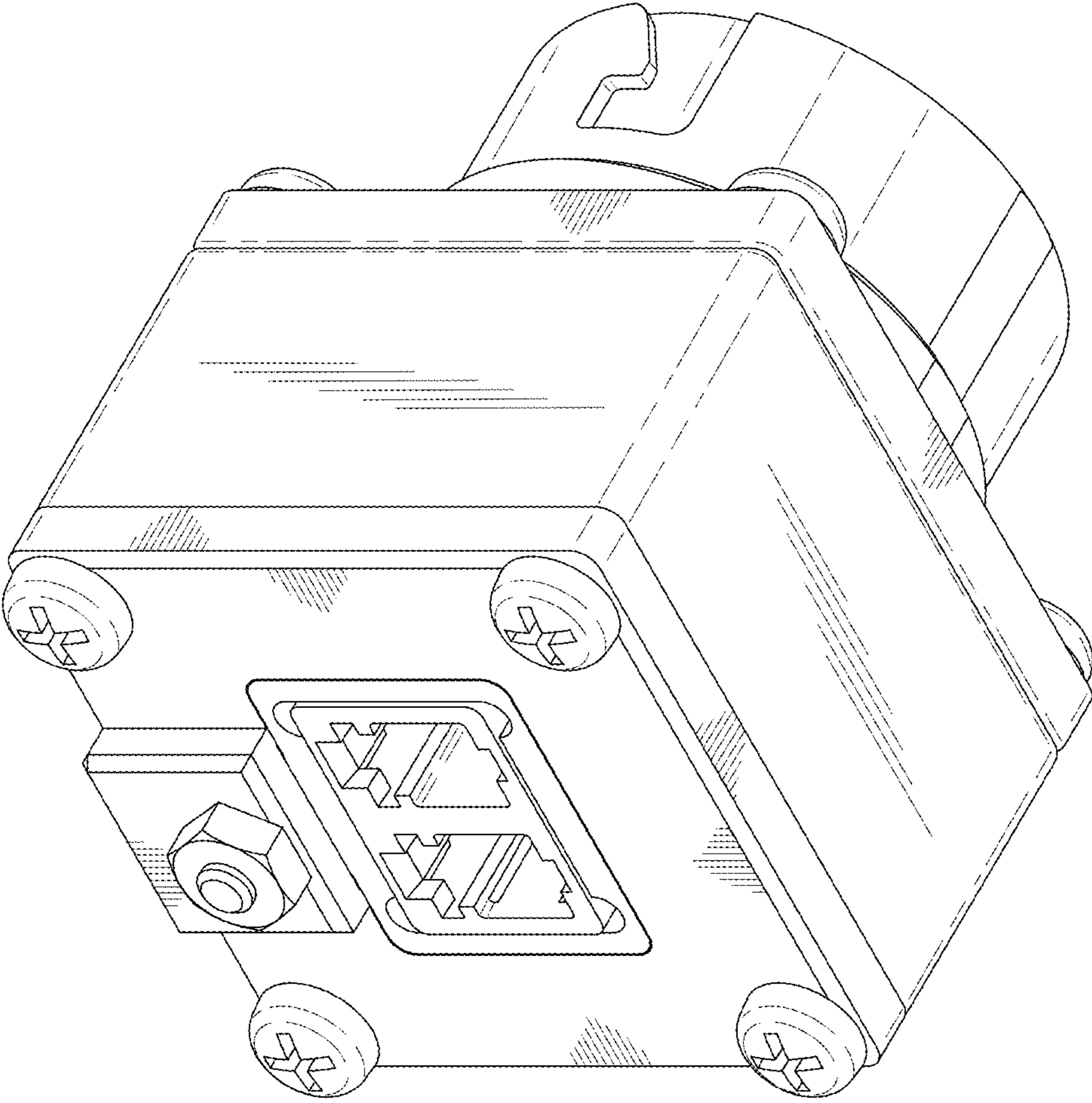


FIG.10