



US00D789885S

(12) **United States Design Patent**
Yue et al.

(10) **Patent No.:** **US D789,885 S**
(45) **Date of Patent:** **** Jun. 20, 2017**

(54) **CHARGING STAND**

(71) Applicant: **Microsoft Corporation**, Redmond, WA (US)

(72) Inventors: **Kok Liang Yue**, Sammamish, WA (US); **Stephen Minarsch**, Seattle, WA (US); **Derek Burkhardtsmeier**, Seattle, WA (US); **Yip Kam**, Dongguan (CN)

(73) Assignee: **Microsoft Corporation**, Redmond, WA (US)

(**) Term: **15 Years**

(21) Appl. No.: **29/543,987**

(22) Filed: **Oct. 29, 2015**

(51) **LOC (10) Cl.** **13-02**

(52) **U.S. Cl.**
USPC **D13/107**

(58) **Field of Classification Search**

USPC D13/106–110, 118–119, 184; D14/251, D14/253, 432, 434; D15/9
CPC Y02E 60/12; Y02T 90/14; Y02T 90/122; Y02T 90/128; Y02T 90/163; Y02T 10/7005; Y02T 10/705; Y02T 10/7088; H02J 7/025; H02J 7/0042; H02J 7/0044; H02J 7/0045; H02J 7/0003; H02J 7/0034; H02J 7/0054; H02J 7/1423; H02J 2001/006; H02J 2001/008; H02J 3/32; H02J 3/008; H02J 7/0027; H02J 7/0013; H01F 38/14; H01R 13/6675; H01M 2/1022; H01M 2/1055; H01M 10/44; H01M 10/46; H01M 10/425; B60L 11/182; B60L 11/1809; B60L 11/1861; B60R 16/03

See application file for complete search history.

(56) **References Cited**

U.S. PATENT DOCUMENTS

D472,538	S	*	4/2003	Chan	D14/149
D562,273	S	*	2/2008	Koyama	D13/184
D637,155	S	*	5/2011	Jeon	D13/108
D642,521	S	*	8/2011	Markowitz	D13/108
D704,632	S	*	5/2014	On	D13/108
D730,824	S	*	6/2015	Palmer	D13/108
D749,509	S	*	2/2016	Blau	D13/108
D751,558	S	*	3/2016	Lee	D10/103
D777,102	S	*	1/2017	Zeine	D13/108
2002/0115480	A1	*	8/2002	Huang	H02J 7/0027 455/573
2016/0365745	A1	*	12/2016	Hyun	H02J 7/025

OTHER PUBLICATIONS

YouTube.com: Microsoft Band 2 Charging Stand Review. Published Jan. 21, 2016. Retrieved from the internet at <<https://www.youtube.com/watch?v=6dgGTSnTwSo>>, Feb. 13, 2017. 1 page.*

* cited by examiner

Primary Examiner — Rosemary K Tarcza

Assistant Examiner — Christy Nemeth

(74) *Attorney, Agent, or Firm* — Banner & Witcoff, Ltd.

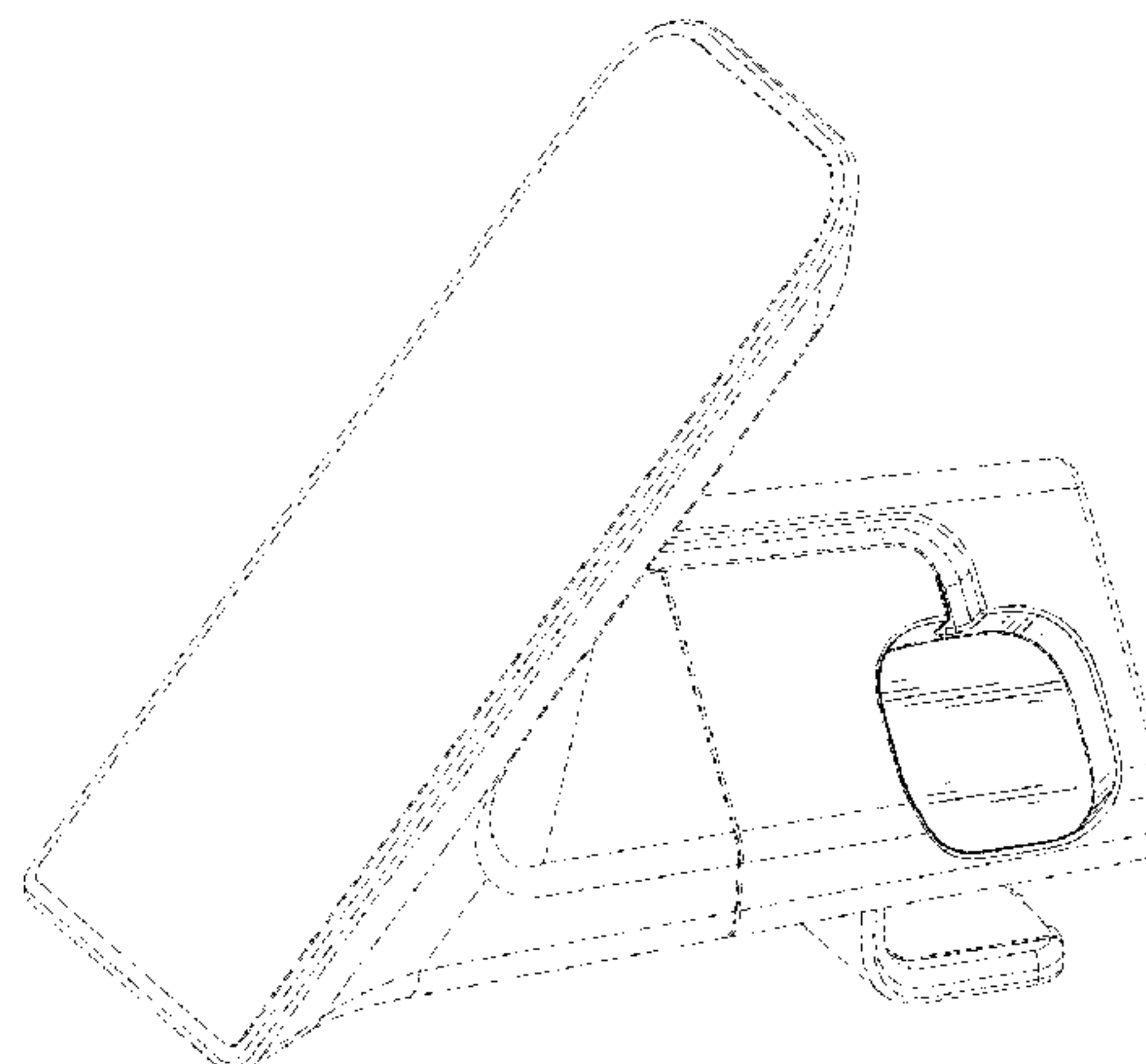
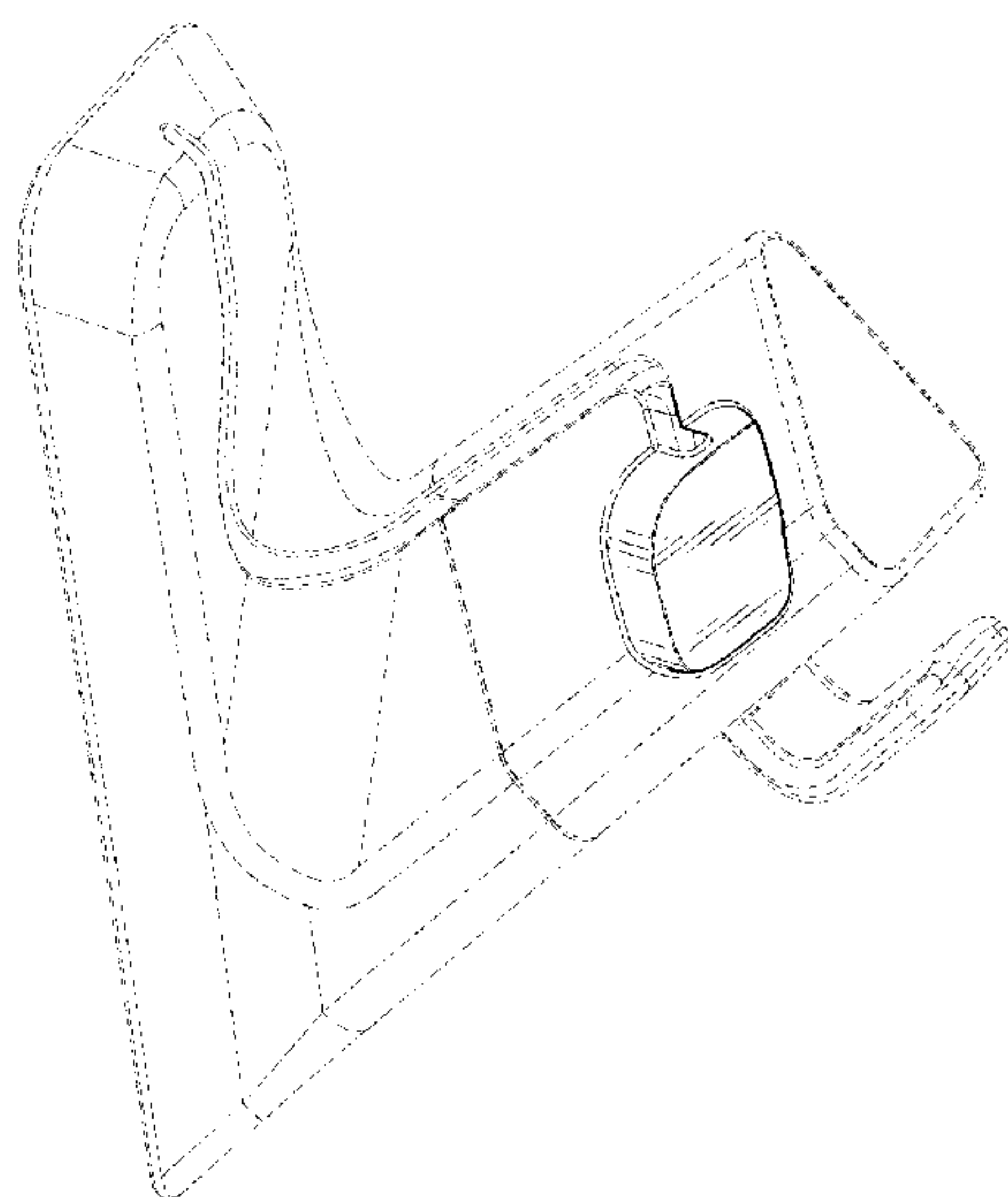
(57) **CLAIM**

The ornamental design for a charging stand, as shown and described.

DESCRIPTION

FIG. 1 is a front perspective view of a charging stand showing our new design;
FIG. 2 is a front-bottom perspective view thereof;
FIG. 3 is a front-top perspective view thereof;
FIG. 4 is another front perspective view thereof; and,
FIG. 5 is a front elevation view thereof.
The broken lines in the drawings illustrate elements of the charging stand that form no part of the claimed design.

1 Claim, 3 Drawing Sheets



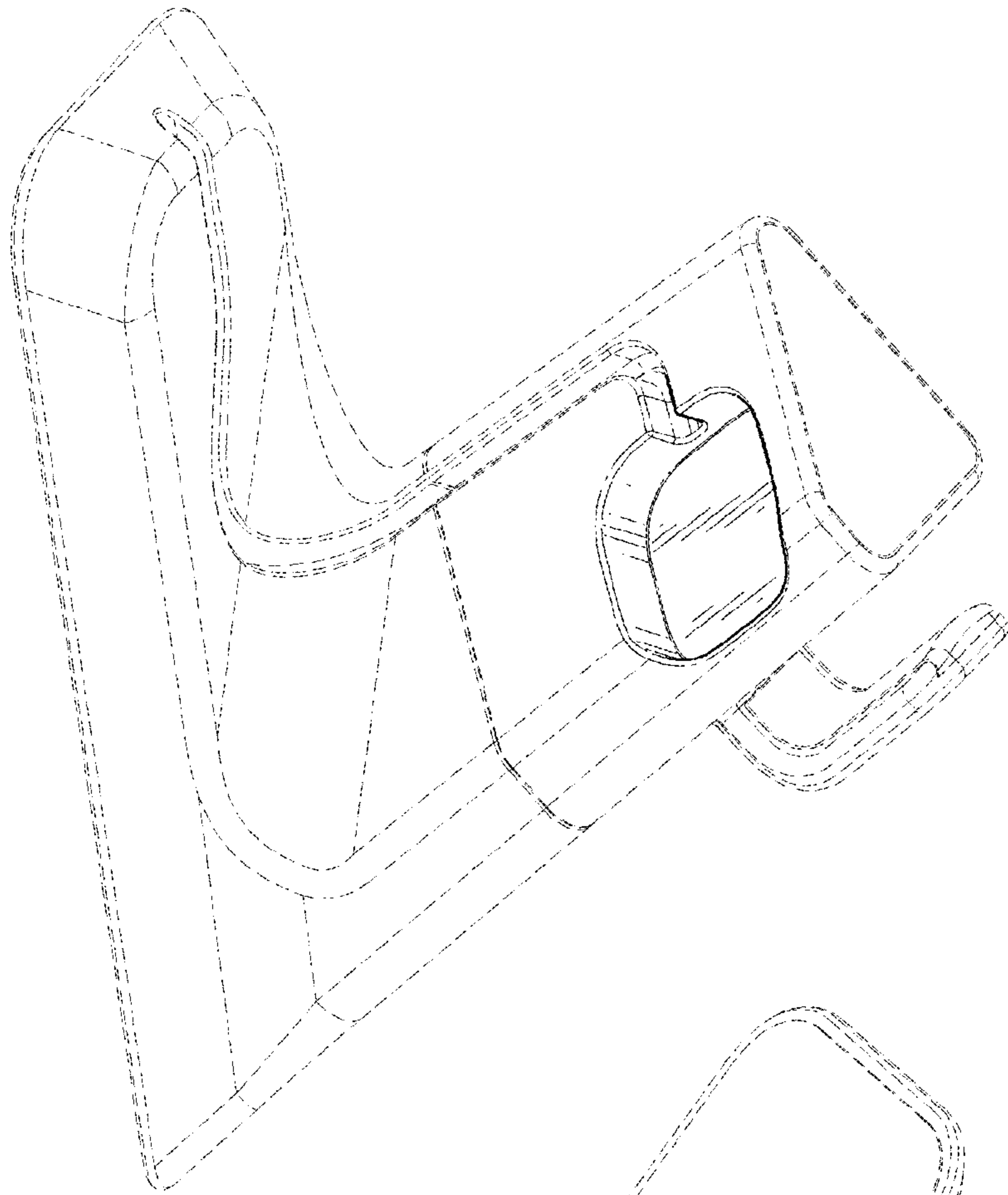


FIG. 1

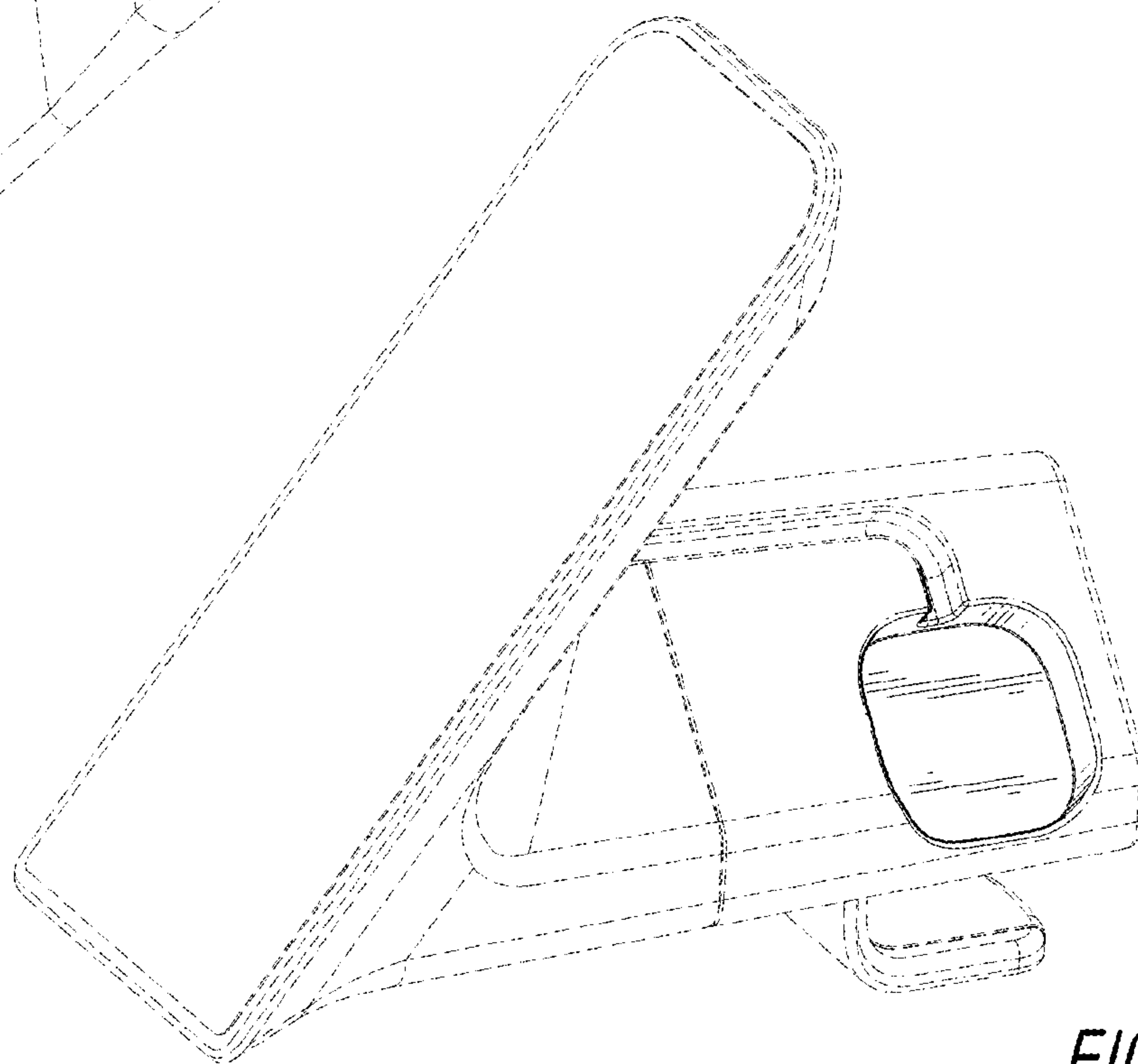


FIG. 2

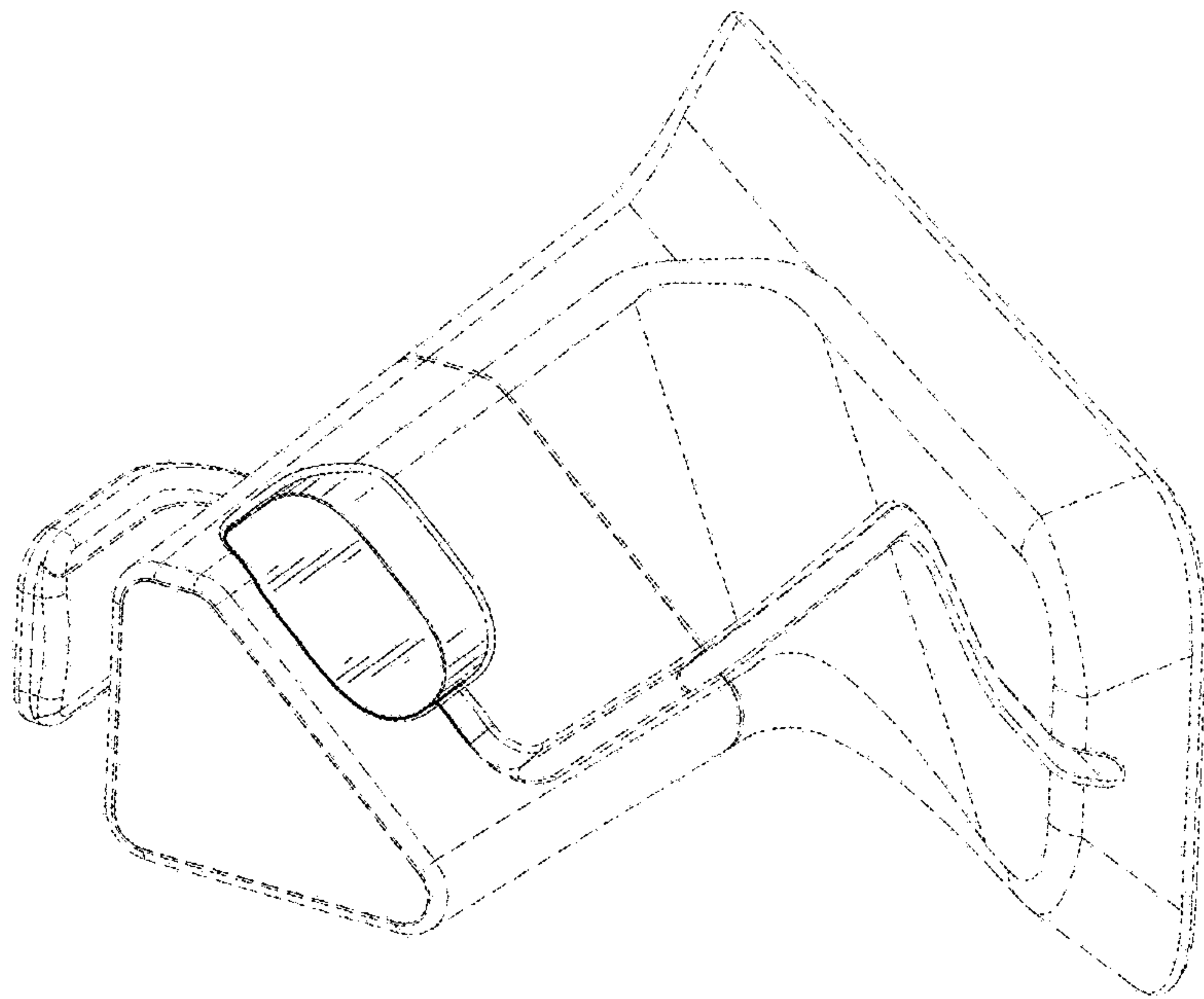


FIG. 3

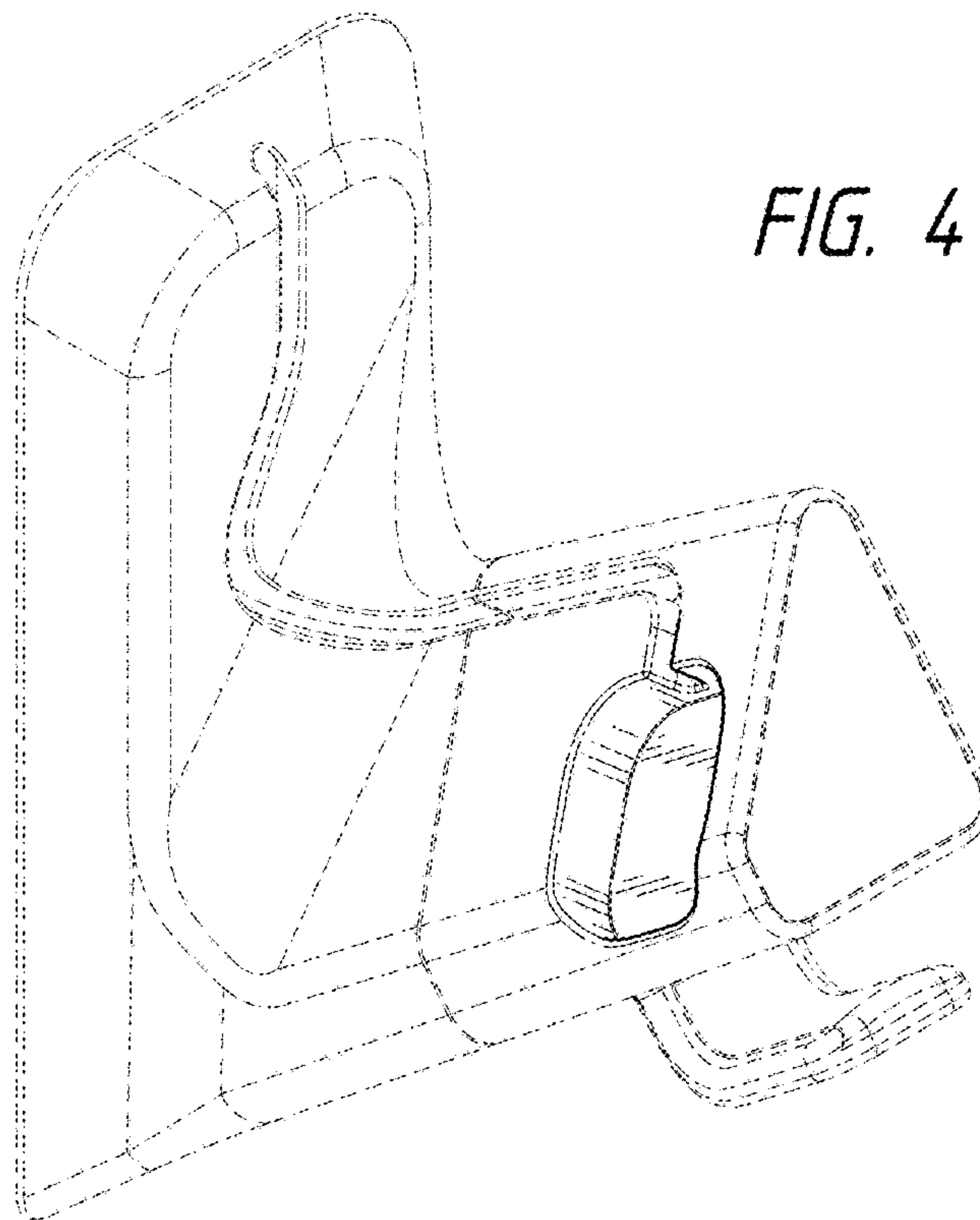


FIG. 4

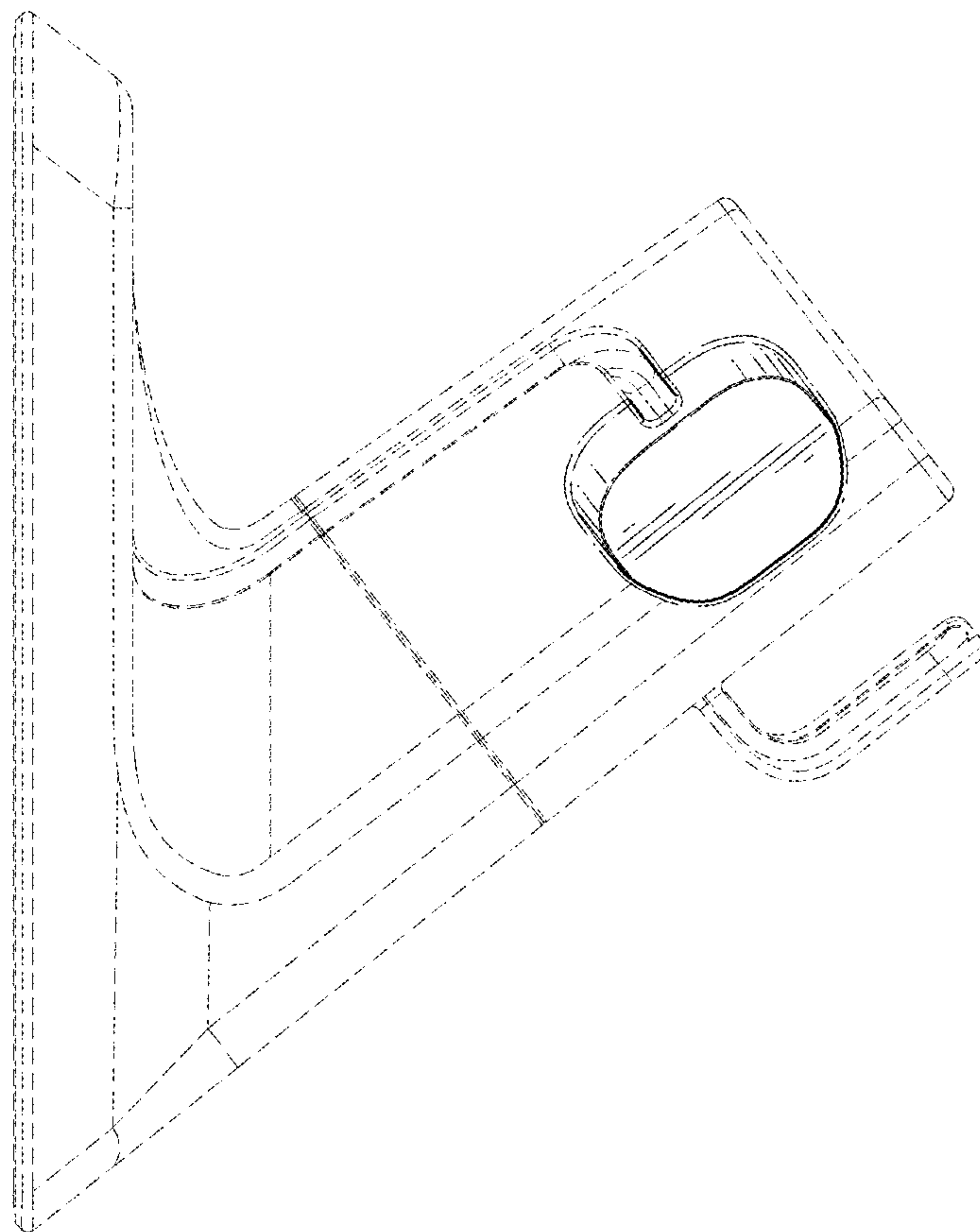


FIG. 5