



US00D789884S

(12) **United States Design Patent**
Bourgeois et al.

(10) **Patent No.:** **US D789,884 S**
(45) **Date of Patent:** **** Jun. 20, 2017**

(54) **HEARING AID BATTERY CHARGING BASE**

(71) Applicant: **ZPower, LLC**, Camarillo, CA (US)

(72) Inventors: **Solene M. Bourgeois**, San Francisco, CA (US); **Christopher A. Wilson**, San Francisco, CA (US); **Jonathan C. Hsieh**, San Francisco, CA (US); **Phillip C. Halbert**, San Francisco, CA (US); **Troy W. Renken**, Camarillo, CA (US)

(73) Assignee: **ZPower, LLC**, Camarillo, CA (US)

(**) Term: **15 Years**

(21) Appl. No.: **29/530,321**

(22) Filed: **Jun. 16, 2015**

(51) **LOC (10) Cl.** **13-02**

(52) **U.S. Cl.**
USPC **D13/107**

(58) **Field of Classification Search**
USPC D13/107-110, 118-119, 184; D14/251, D14/253, 432, 434
CPC H04R 2225/31; H04R 2460/17; H04R 25/00; Y02E 60/12; Y02T 90/14; Y02T 90/122; Y02T 90/128; Y02T 90/163; H02J 7/025; H02J 7/0042; H02J 7/0044; H02J 7/0045; H02J 7/0003; H01F 38/14; H01R 13/6675; H01M 2/1022; H01M 2/1055; H01M 10/44; H01M 10/46; H01M 10/425; B60L 11/182

See application file for complete search history.

(56) **References Cited**

U.S. PATENT DOCUMENTS

D401,552 S * 11/1998 Tanaka D13/107
D411,166 S * 6/1999 Uemura D13/107
D417,430 S * 12/1999 Ko D13/107
D608,277 S * 1/2010 Cano D13/108

D615,491 S * 5/2010 Emminger D13/108
D615,924 S * 5/2010 McGugan
D623,641 S * 9/2010 Harden D14/253
D668,218 S * 10/2012 Dai D13/107
D677,219 S * 3/2013 Nokuo D13/108
D696,193 S * 12/2013 Hatanaka D13/108
D722,958 S * 2/2015 Kotaniemi D13/108
D760,648 S * 7/2016 Lee D13/108
D762,571 S * 8/2016 Lee D13/108

(Continued)

Primary Examiner — Rosemary K Tarcza

Assistant Examiner — Nathaniel D Buckner

(74) *Attorney, Agent, or Firm* — Honigman Miller Schwartz and Cohn LLP; Andrew N. Weber; Jonathan P. O'Brien

(57) **CLAIM**

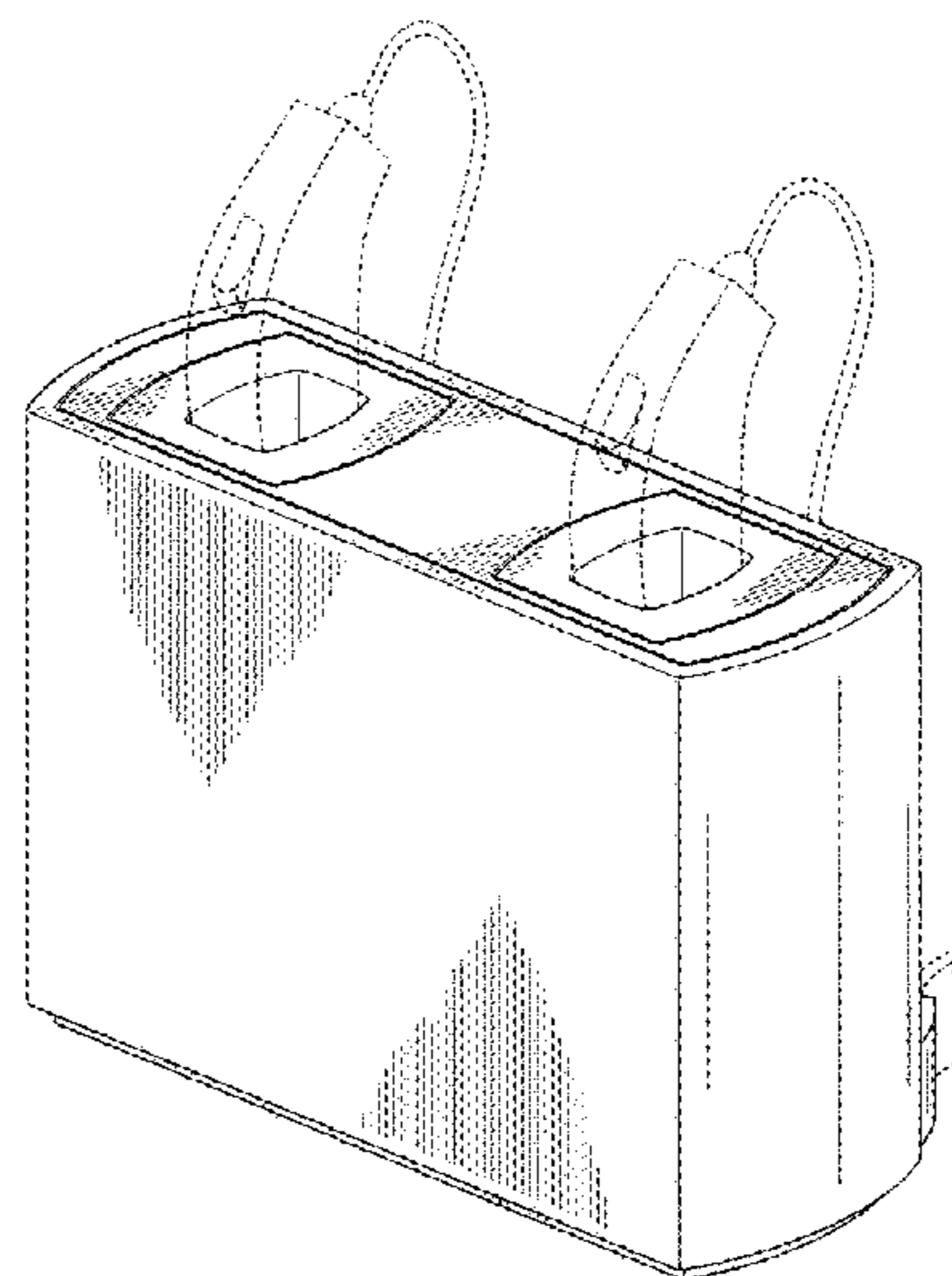
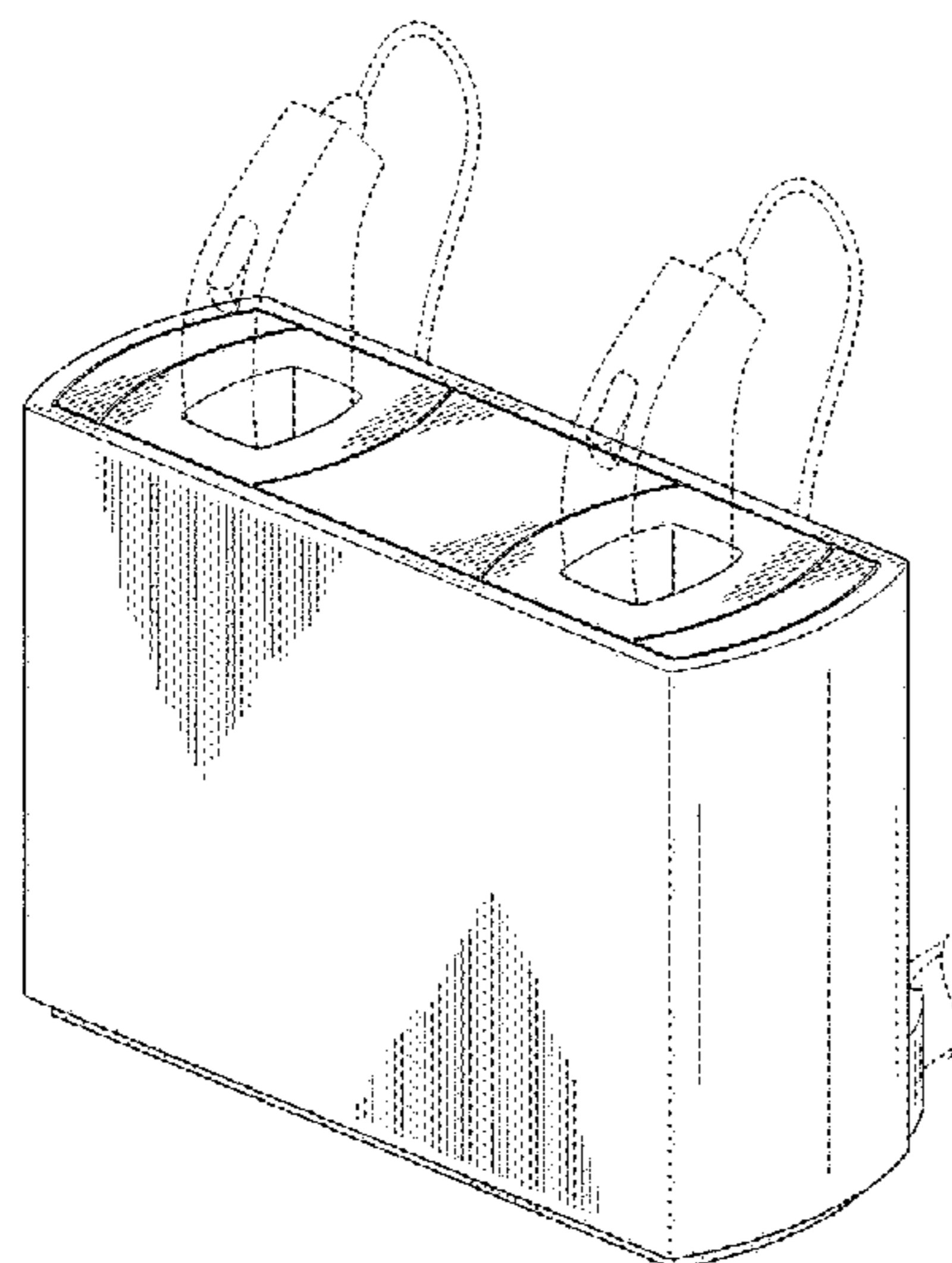
We claim the ornamental design for a hearing aid battery charging base, as shown and described.

DESCRIPTION

FIG. 1 is a front perspective view of a hearing aid battery charging base, showing our new design;
FIG. 2 is a front view thereof;
FIG. 3 is a rear view thereof;
FIG. 4 is a left side view thereof;
FIG. 5 is a right side view thereof;
FIG. 6 is a top plan view thereof;
FIG. 7 is a bottom plan view thereof;
FIG. 8 is a front perspective view of a second embodiment of the hearing aid battery charging base;
FIG. 9 is a front view thereof;
FIG. 10 is a rear view thereof;
FIG. 11 is a left side view thereof;
FIG. 12 is a right side view thereof;
FIG. 13 is a top plan view thereof; and,
FIG. 14 is a bottom plan view thereof.

The dashed lines in the drawing views depict portions of the design that form no part of the claim.

1 Claim, 12 Drawing Sheets



(56)

References Cited

U.S. PATENT DOCUMENTS

2008/0292123 A1* 11/2008 Jensen H04R 25/00
381/322

* cited by examiner

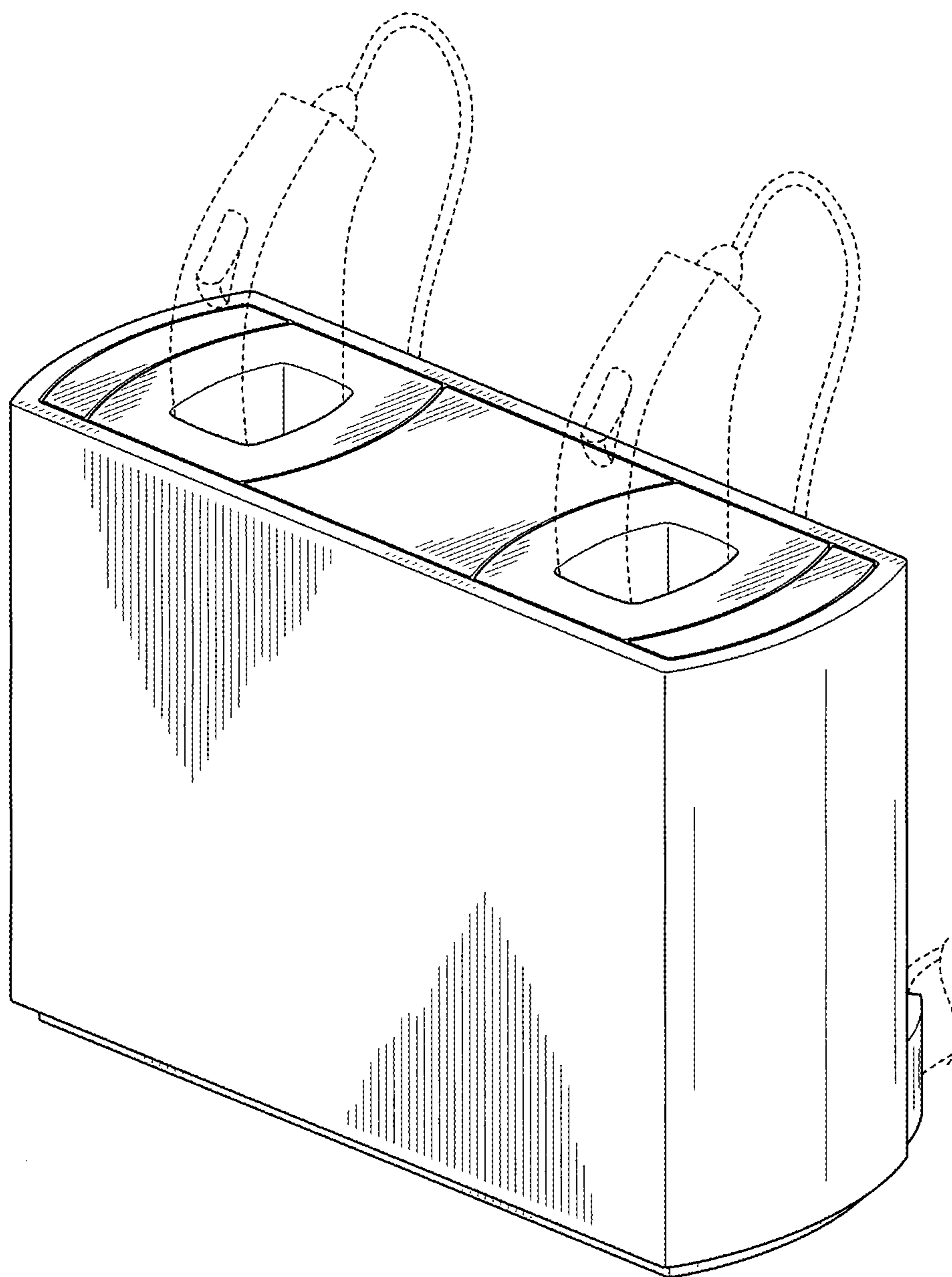


FIG. 1

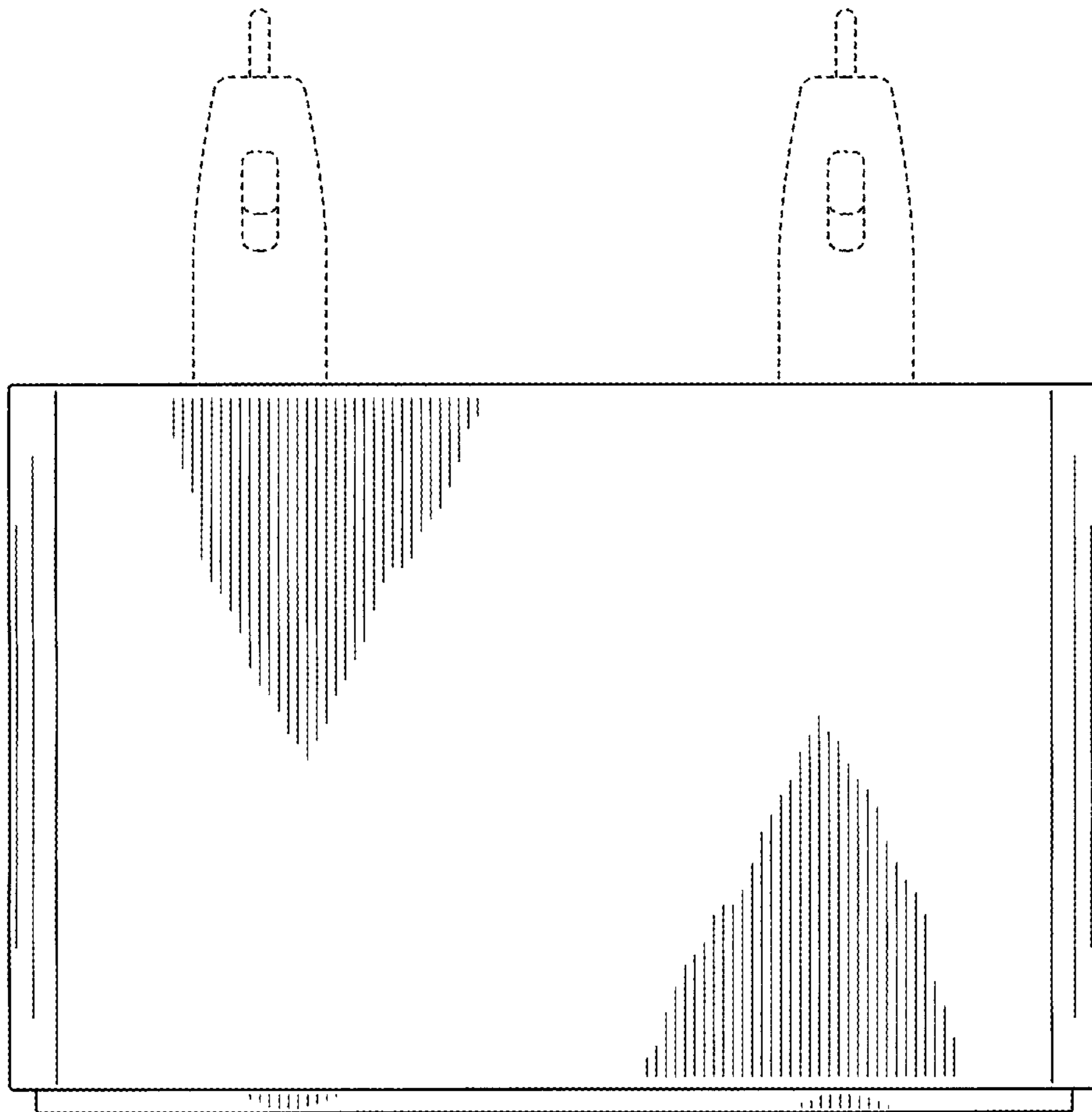


FIG. 2

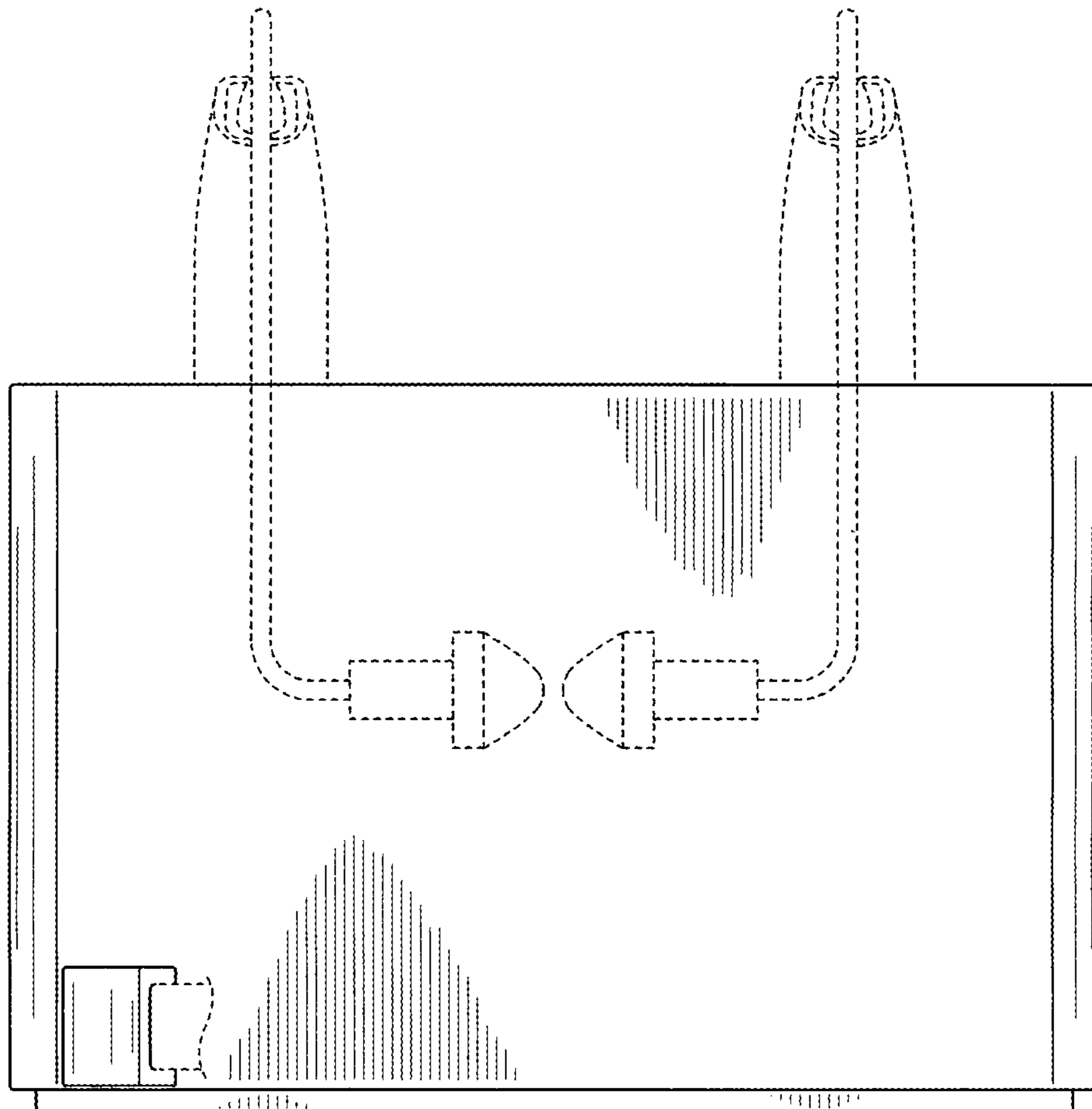


FIG. 3

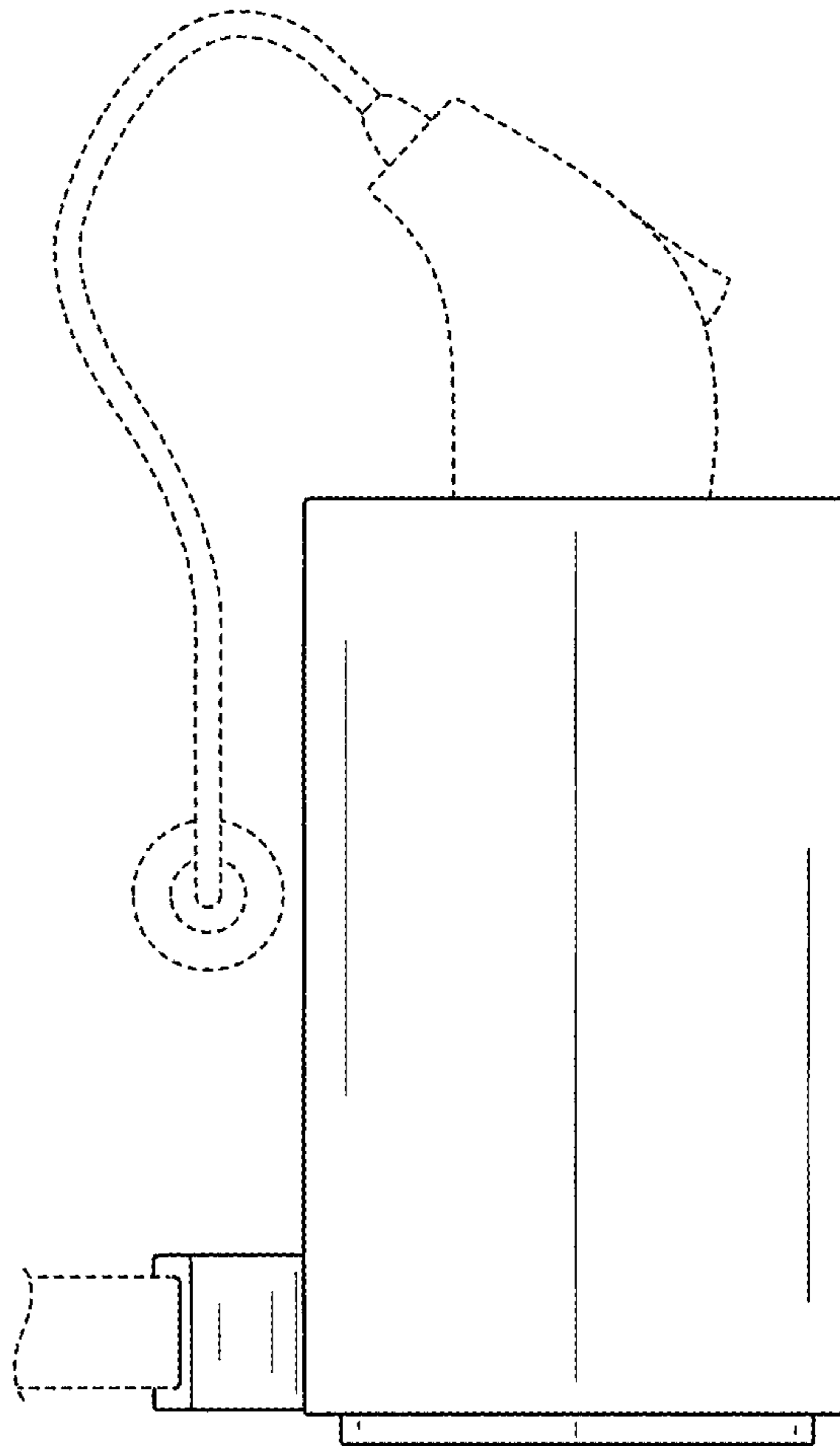


FIG. 4

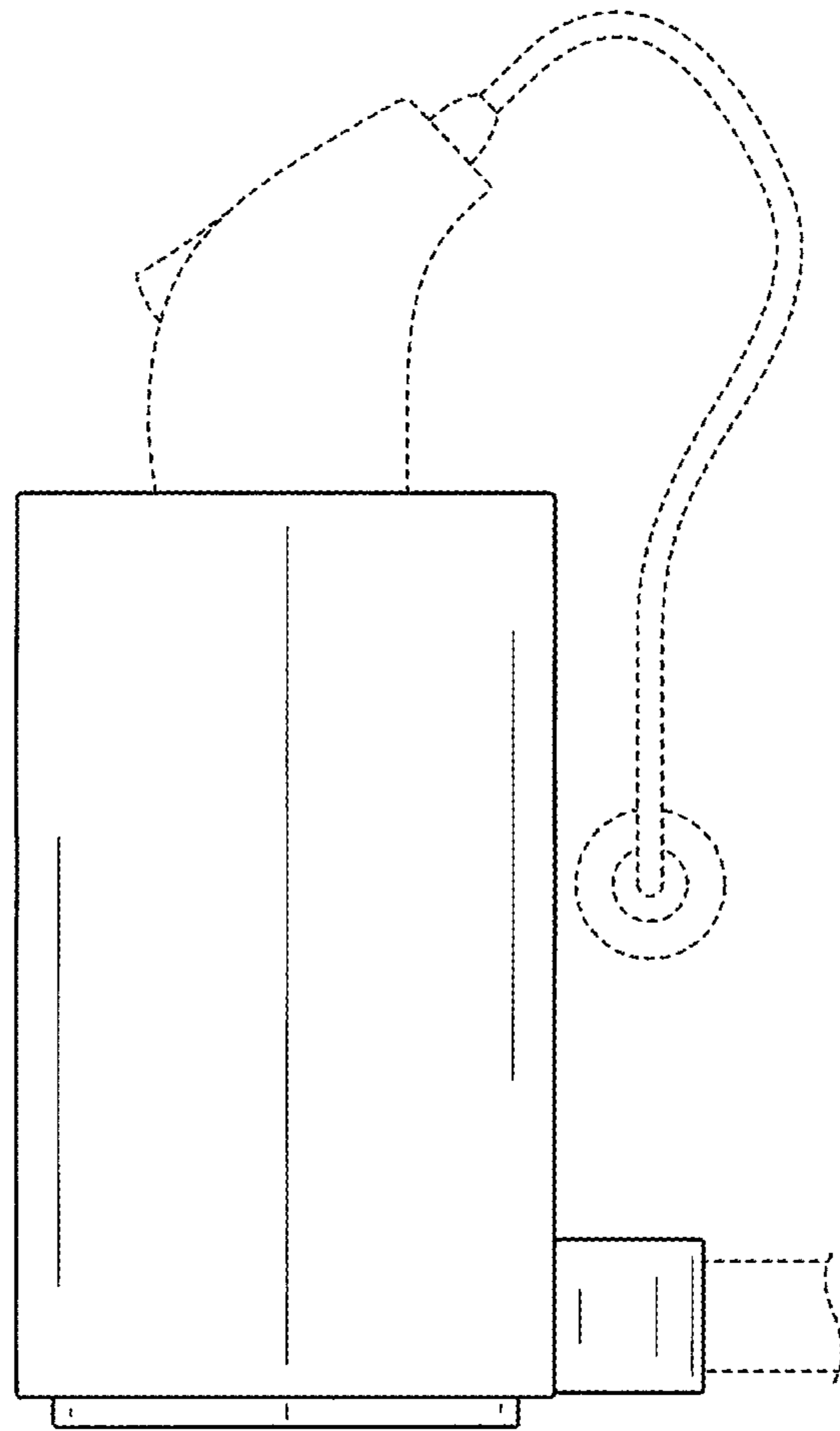


FIG. 5

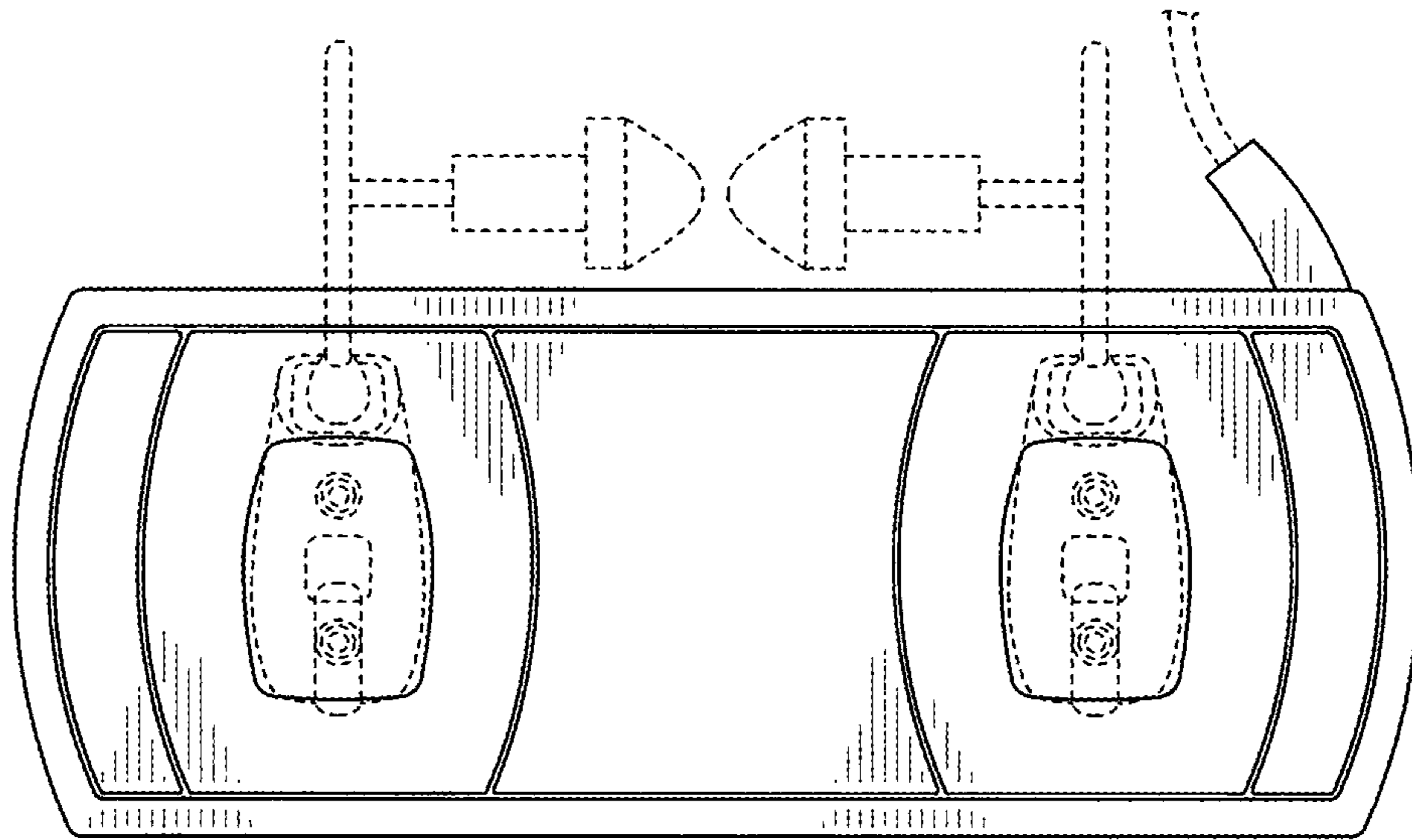


FIG. 6

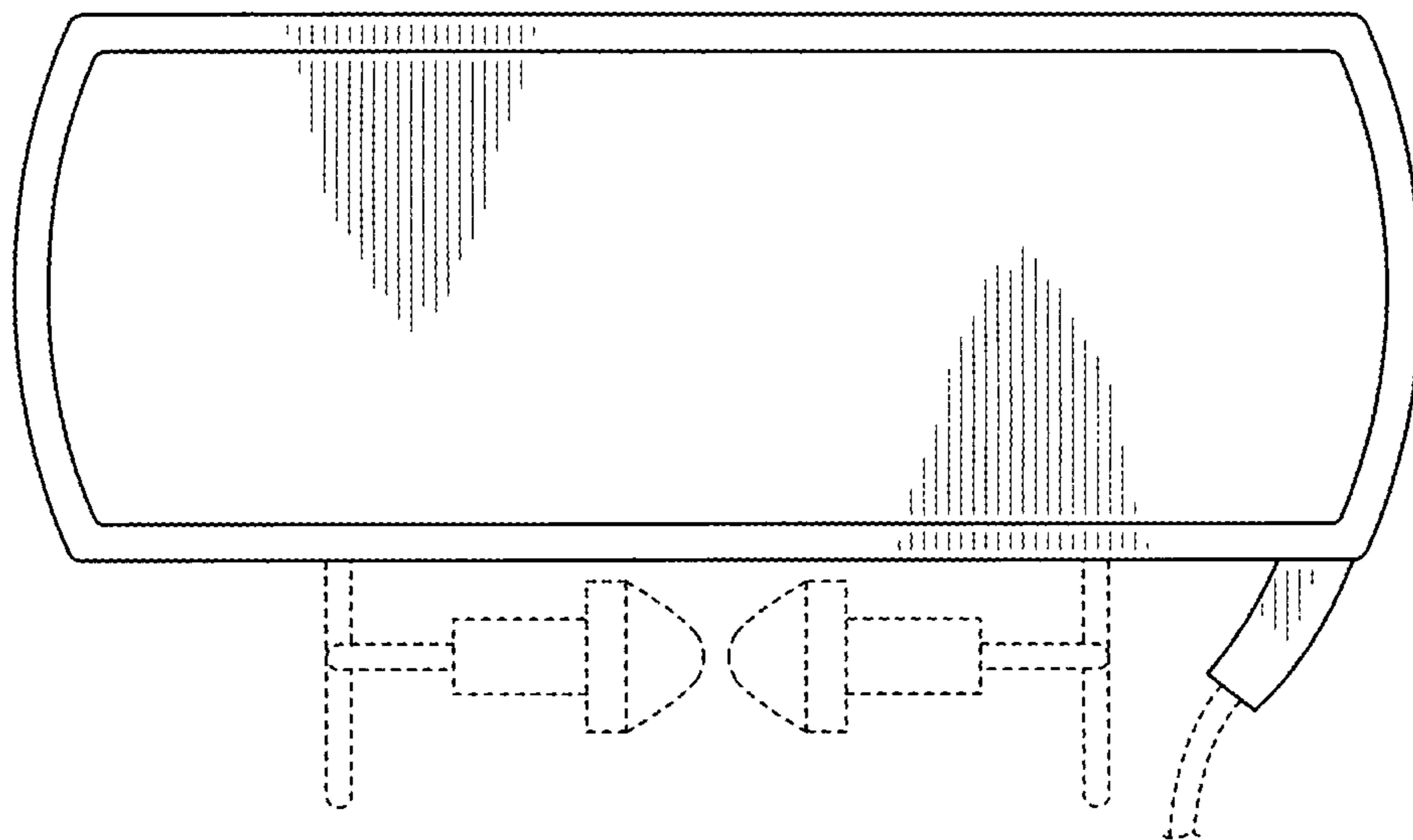


FIG. 7

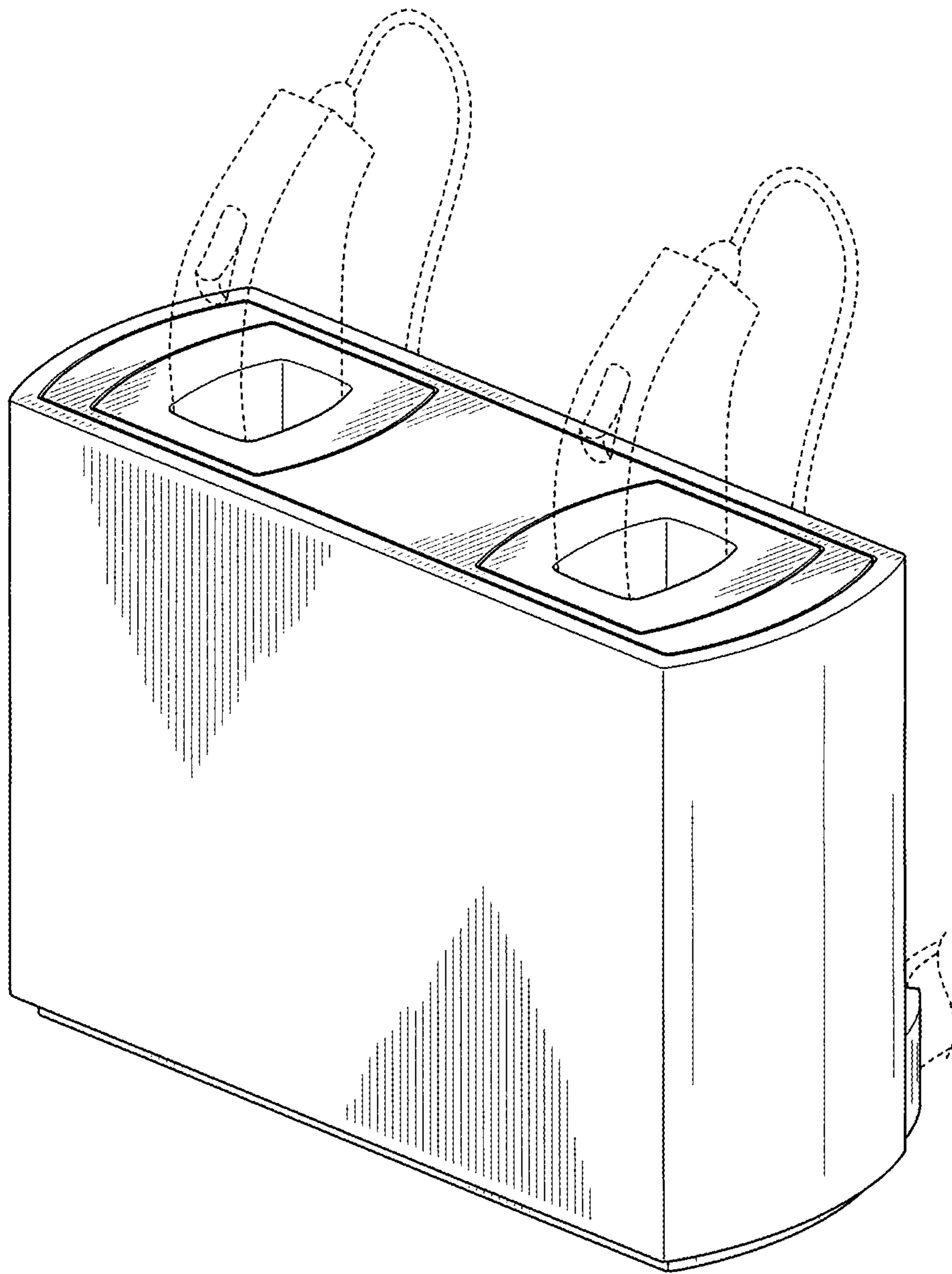


FIG. 8

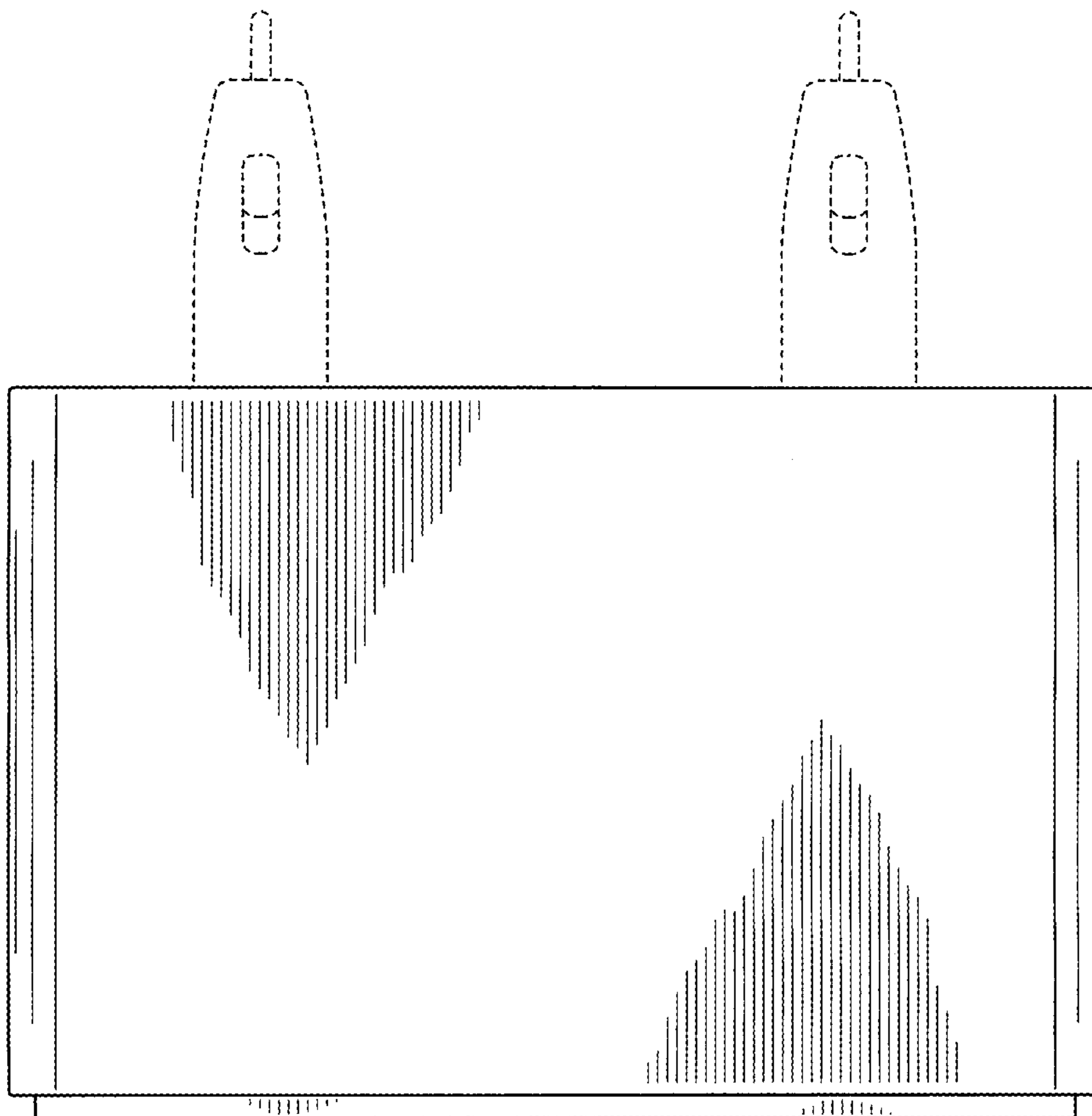


FIG. 9

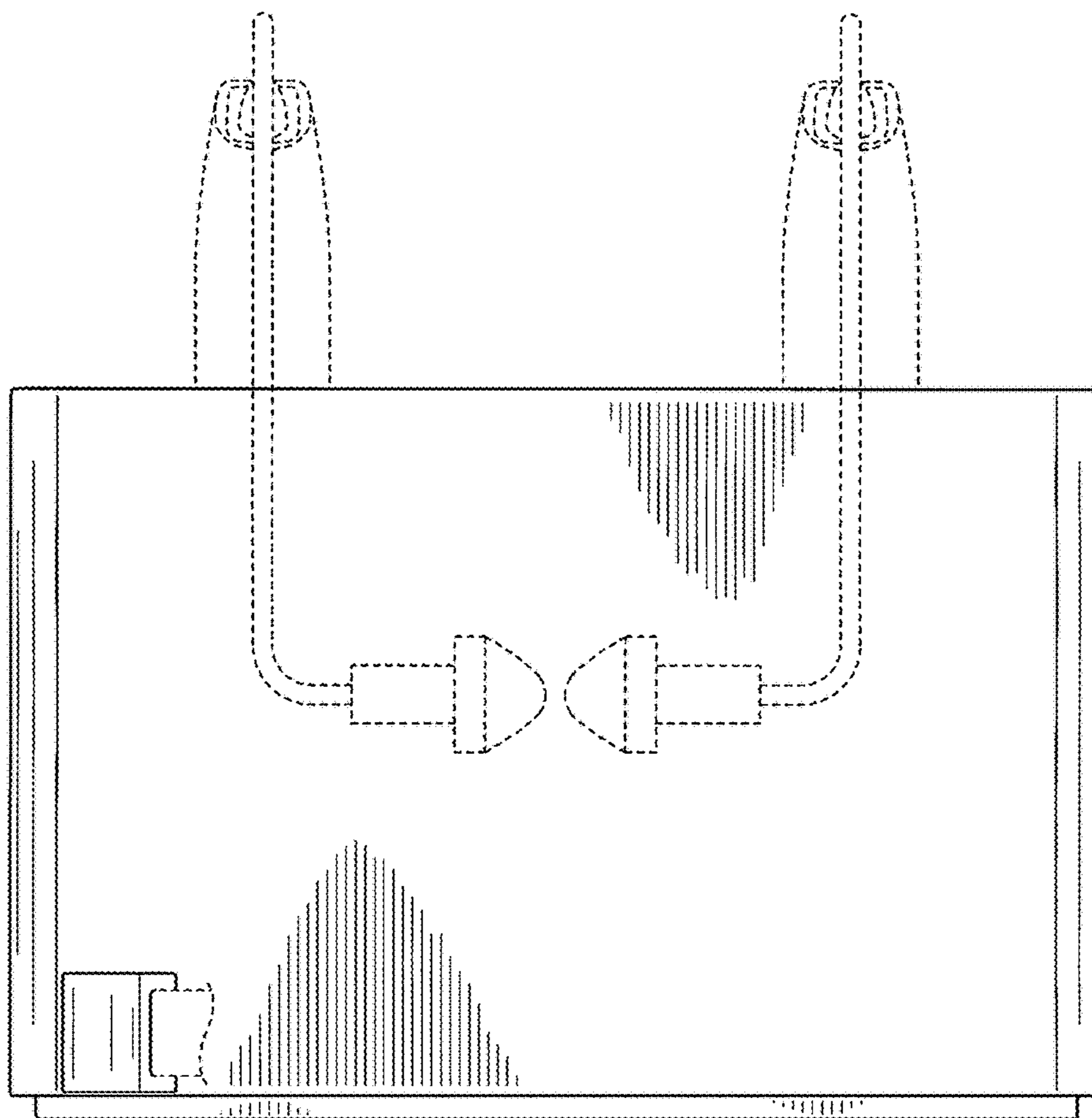


FIG. 10

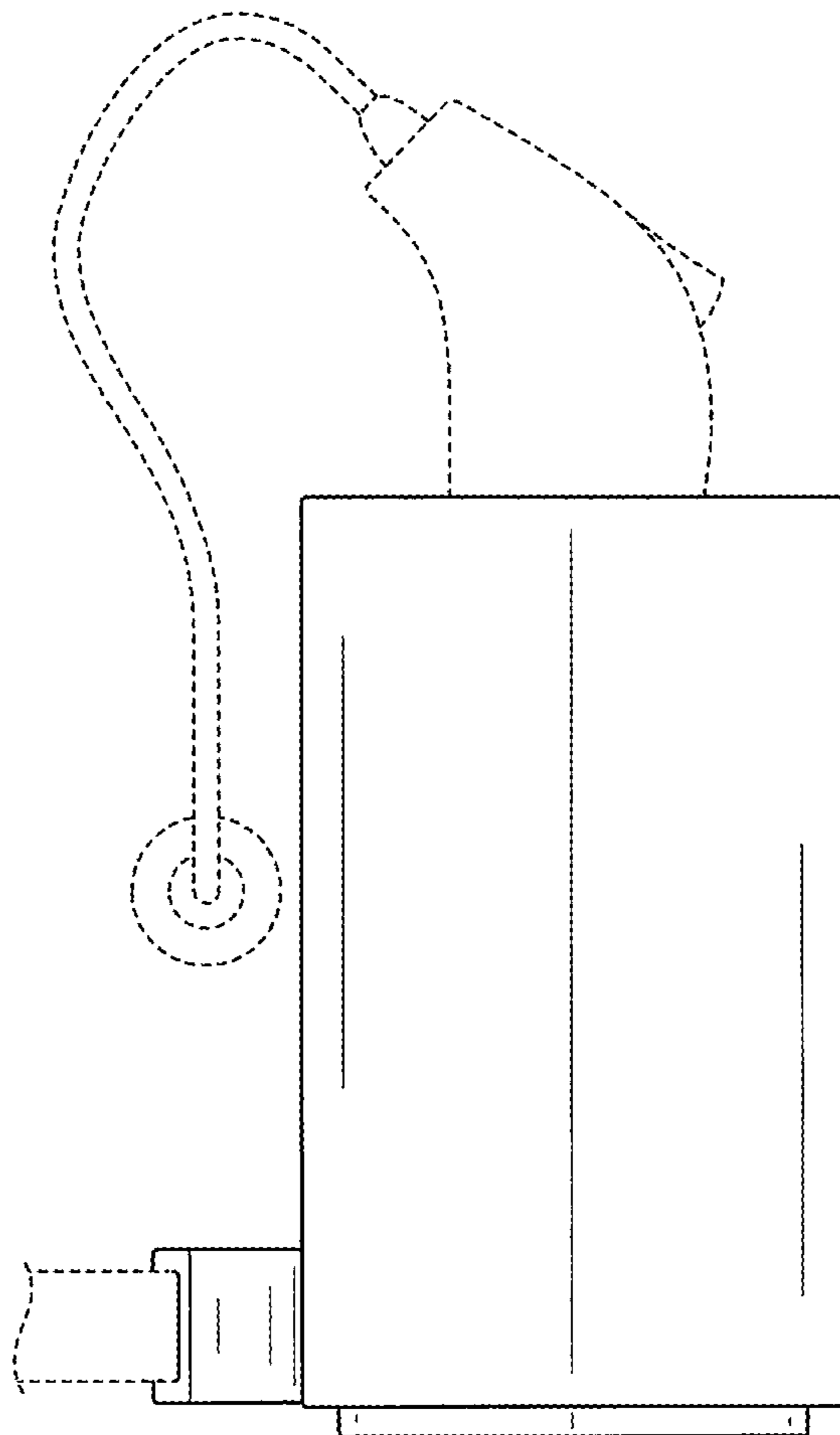


FIG. 11

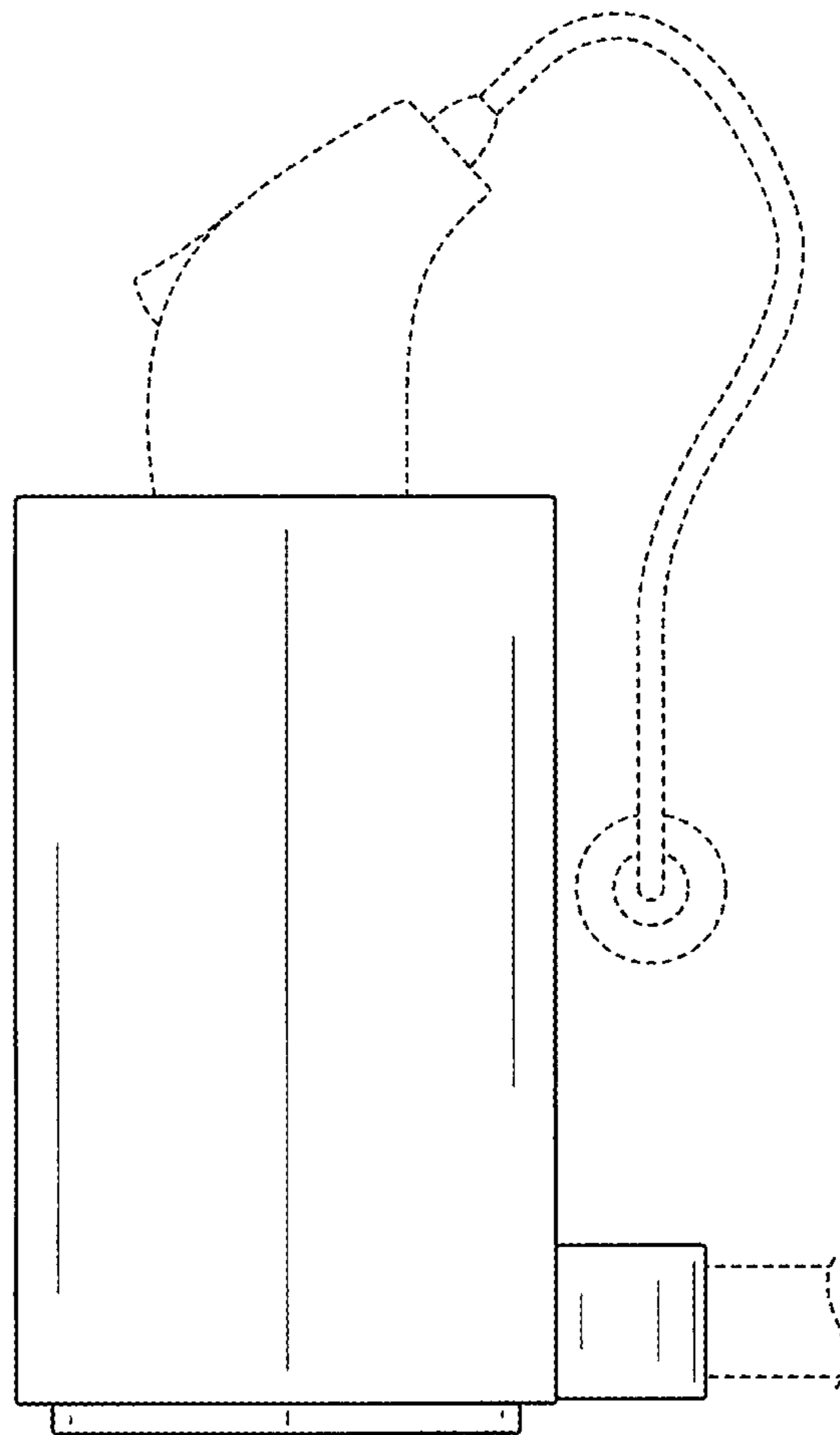


FIG. 12

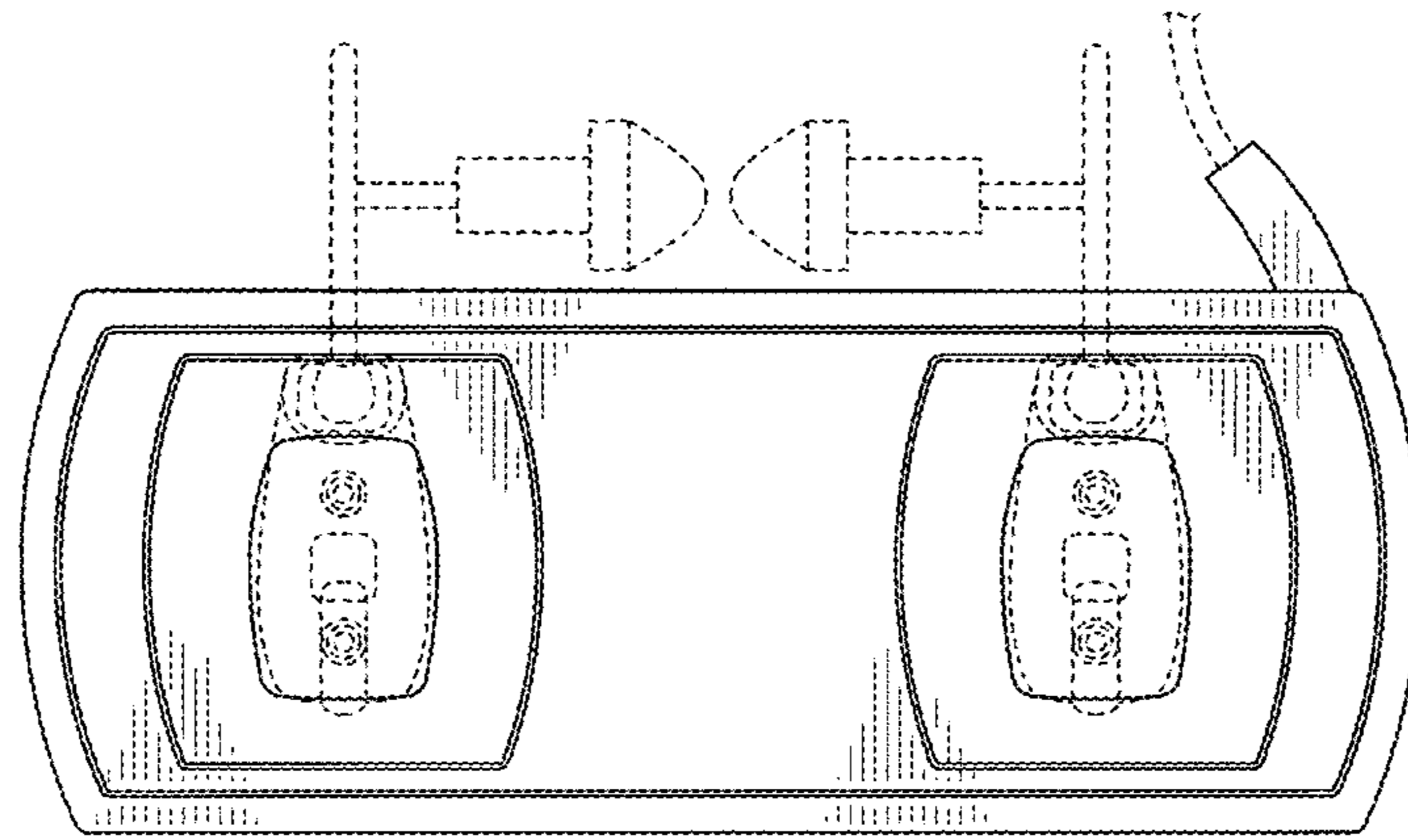


FIG. 13

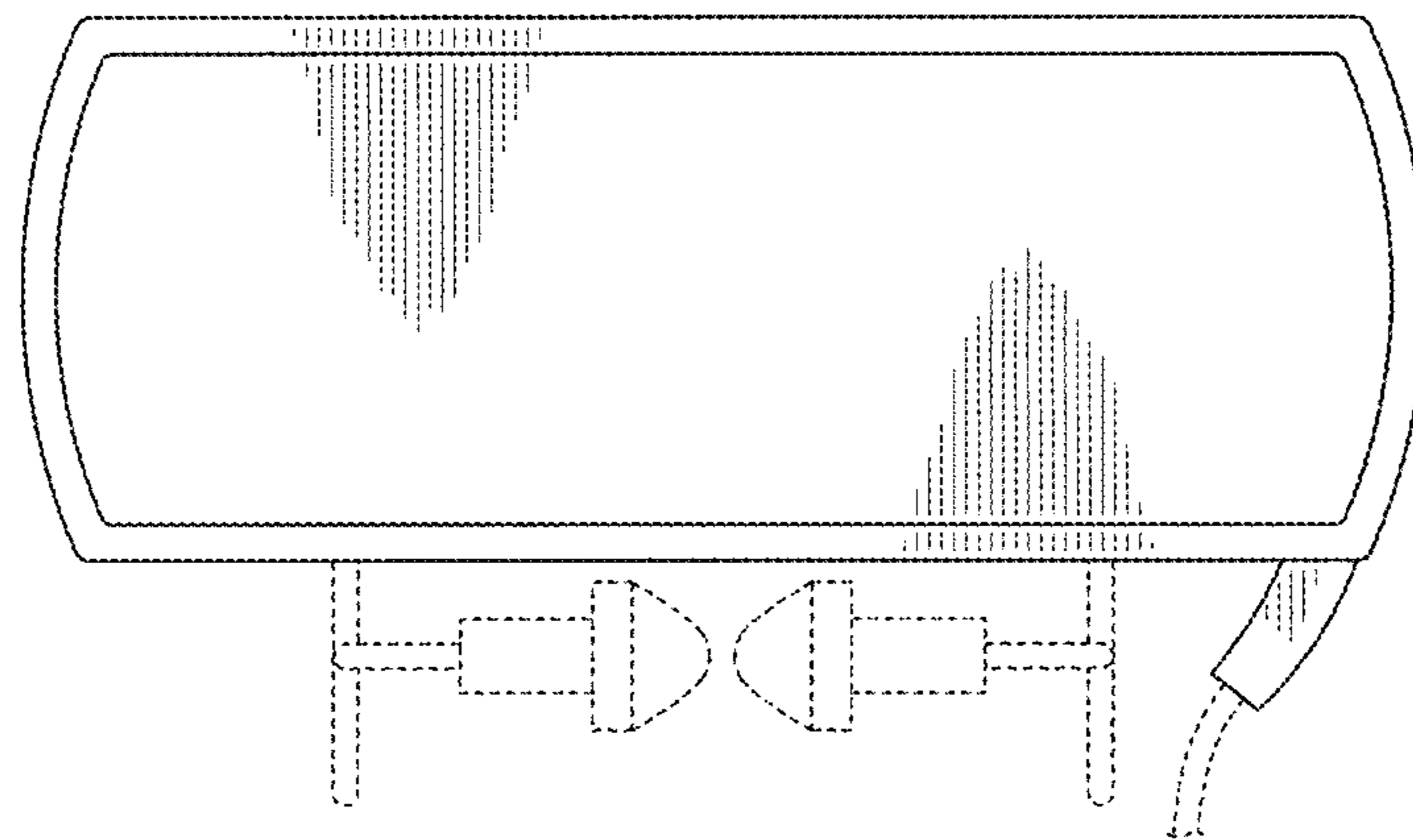


FIG. 14