



US00D789881S

(12) **United States Design Patent** (10) **Patent No.:** **US D789,881 S**  
**Geisenheimer** (45) **Date of Patent:** **\*\* Jun. 20, 2017**

(54) **UTILITY POLE SOLAR PANEL**  
(71) Applicant: **Herman S. Geisenheimer**, Fort Lee, NJ (US)  
(72) Inventor: **Herman S. Geisenheimer**, Fort Lee, NJ (US)  
(\*\*) Term: **15 Years**  
(21) Appl. No.: **29/577,318**  
(22) Filed: **Sep. 12, 2016**  
(51) **LOC (10) Cl.** ..... **13-02**  
(52) **U.S. Cl.**  
USPC ..... **D13/102**  
(58) **Field of Classification Search**  
USPC ..... D13/102, 101, 103, 107, 108, 199;  
126/569, 624, 704, 710, 711;  
136/243-265; 320/101, 116, 120;  
52/173.3  
CPC ..... H01L 31/00; H01L 31/042; H01L 31/045;  
H01L 31/048; H01L 31/052; H01L  
31/0475; H01L 31/0485; H01M 10/052;  
H01M 10/465; H02S 30/10; H02S 30/20;  
Y02E 10/50; Y02E 10/52; Y02E 10/544;  
Y02B 20/72  
See application file for complete search history.

(56) **References Cited**  
U.S. PATENT DOCUMENTS  
3,948,468 A \* 4/1976 Anchutin ..... B64G 1/443  
136/245  
4,133,502 A 1/1979 Anchutin  
4,588,151 A 5/1986 Mori  
D291,926 S 9/1987 Schlepp  
D303,715 S 9/1989 Townsend

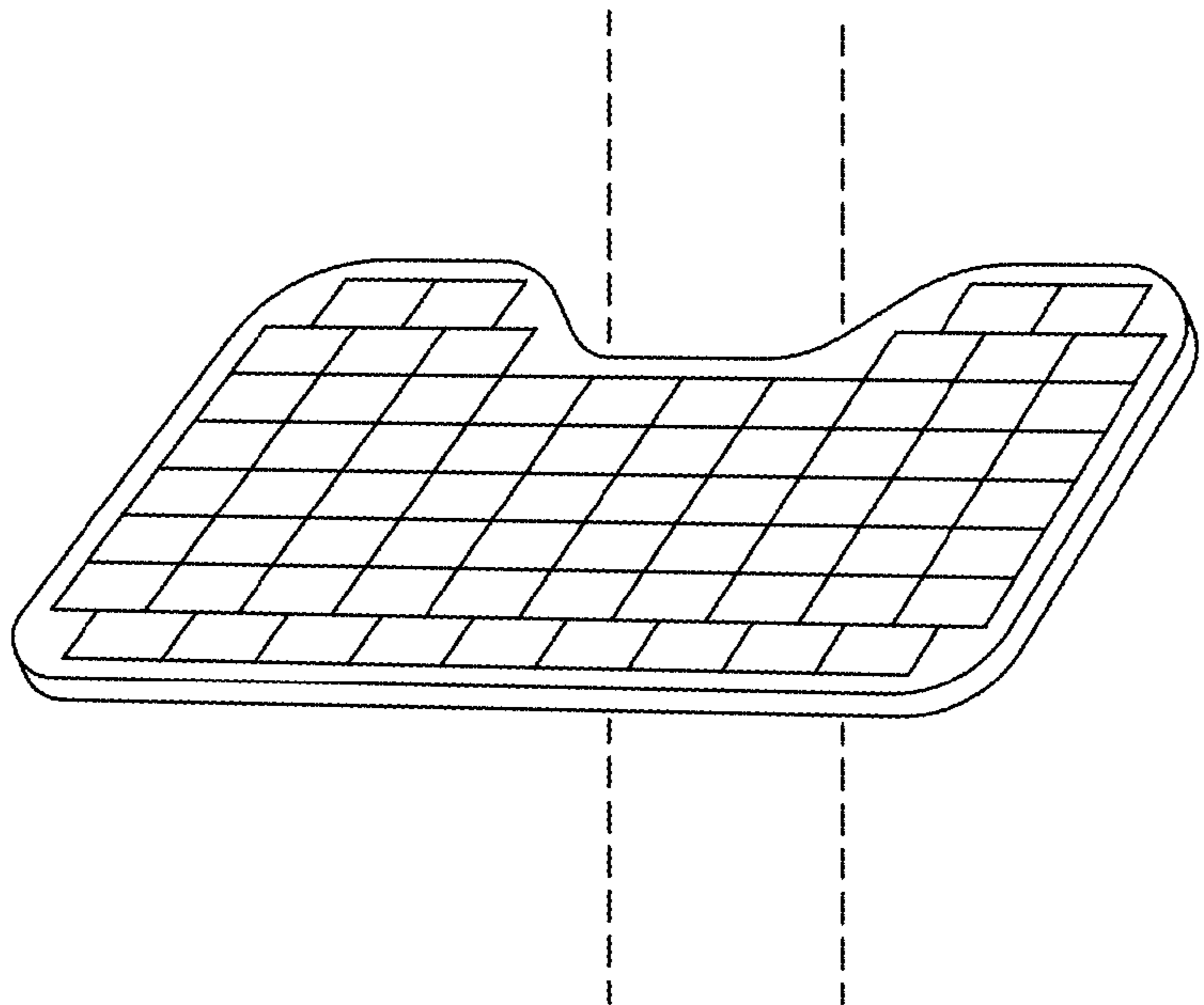
5,059,296 A 10/1991 Sherman  
5,065,291 A \* 11/1991 Frost ..... F21S 8/081  
136/291  
D469,057 S \* 1/2003 Shugar ..... D13/102  
D530,037 S \* 10/2006 Bucher ..... D26/67  
D532,500 S \* 11/2006 Yeung ..... D23/339  
D534,488 S 1/2007 Rosene  
D555,084 S 11/2007 Sharma  
D557,435 S \* 12/2007 Hon ..... D26/63  
D600,200 S 9/2009 Dimov  
D610,536 S \* 2/2010 Brumels ..... D13/102  
D624,491 S 9/2010 Xuan  
D688,621 S 8/2013 Mozzardi et al.  
D708,125 S 7/2014 Geisenheimer  
D713,332 S 9/2014 Geisenheimer  
2008/0210220 A1 9/2008 Perslow  
2008/0247155 A1\* 10/2008 Allsop ..... F21S 8/081  
362/145

\* cited by examiner  
*Primary Examiner* — Derrick Holland  
(74) *Attorney, Agent, or Firm* — Seth Natter; Natter & Natter

(57) **CLAIM**  
I claim the ornamental design for a utility pole solar panel, as shown and described.

**DESCRIPTION**  
FIG. 1 is a top plan view of a utility pole solar panel showing my new design;  
FIG. 2 is a perspective view thereof; and,  
FIG. 3 is a side elevational view thereof, the opposite side being a mirror image thereof.  
The broken lines shown represent unclaimed subject matter and form no part of the claimed design. The bottom view is plain and unornamented.

**1 Claim, 1 Drawing Sheet**



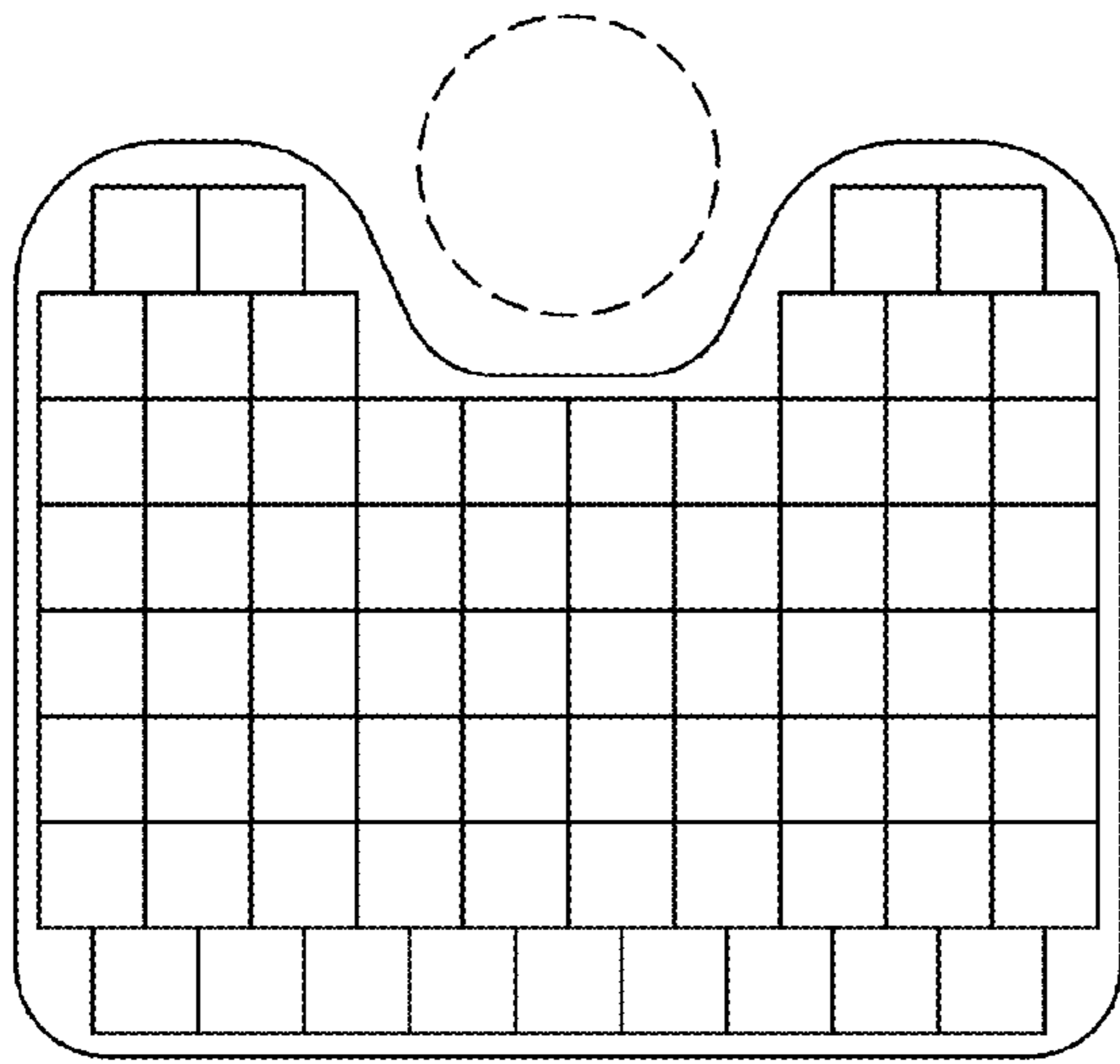


Fig. 1

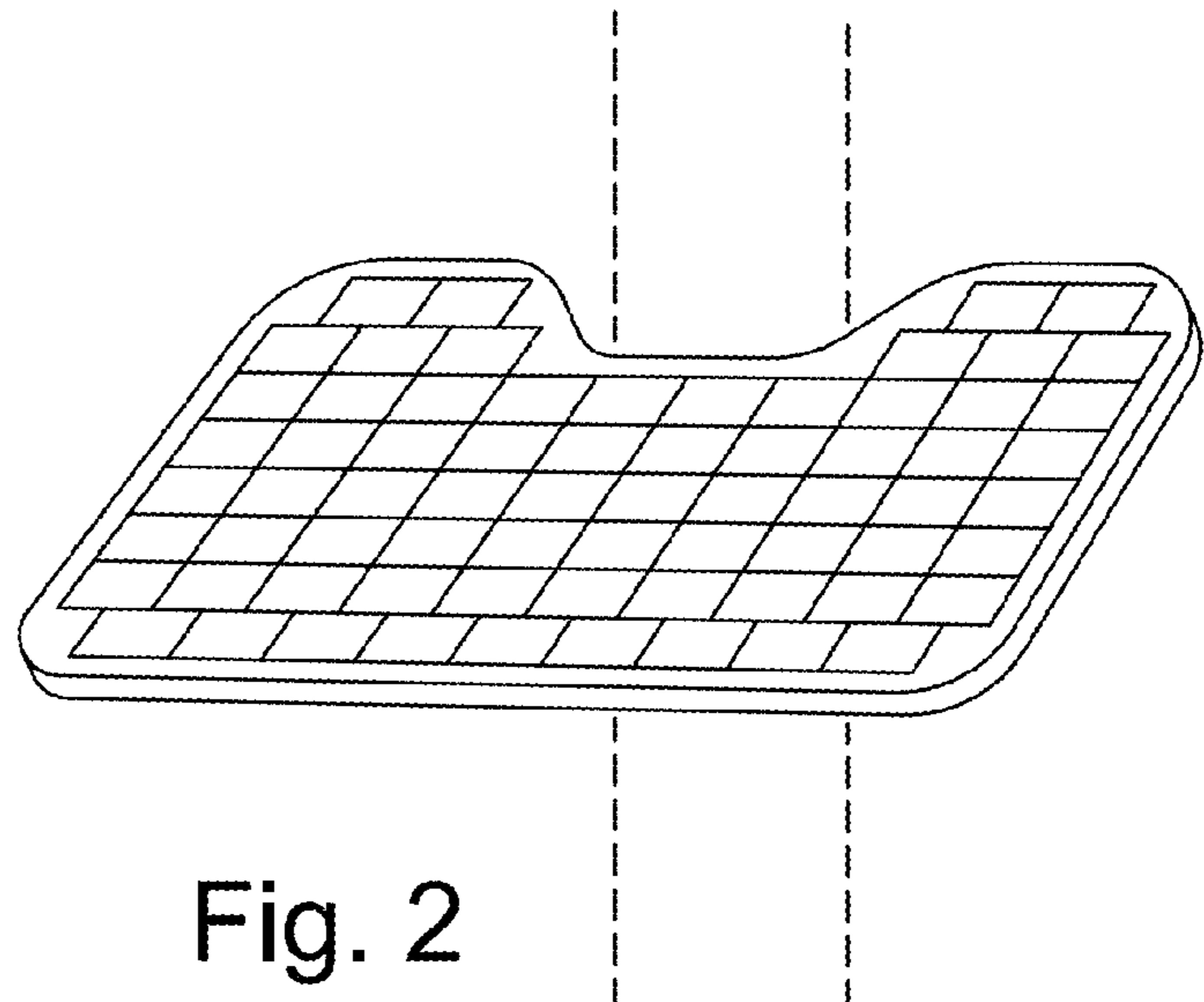


Fig. 2

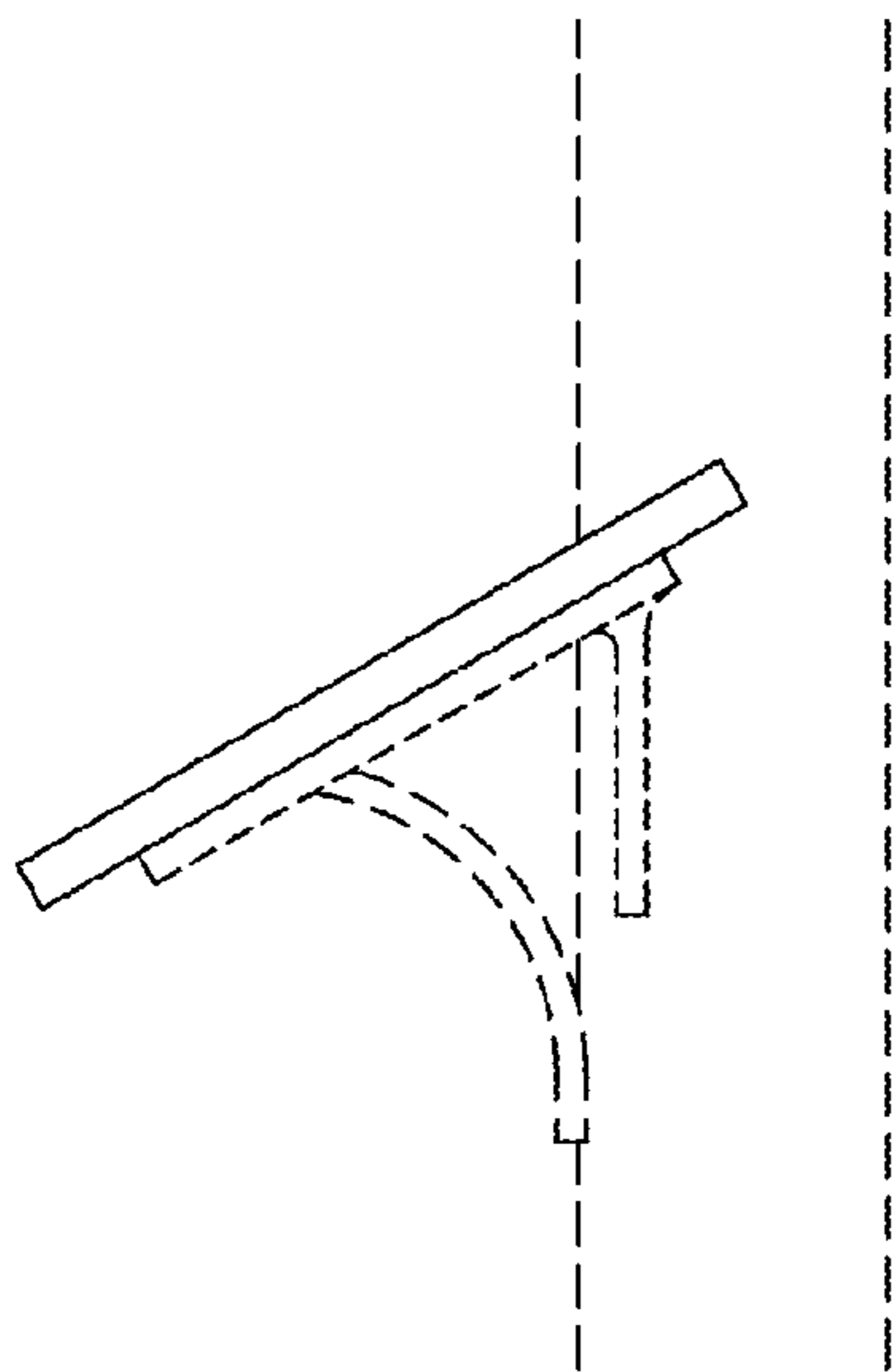


Fig. 3