



US00D789880S

(12) **United States Design Patent**
Li

(10) **Patent No.:** **US D789,880 S**

(45) **Date of Patent:** **** Jun. 20, 2017**

(54) **SOLAR CHARGE CONTROLLER WITH LED INDICATOR**

D642,513 S * 8/2011 Chen D13/102
D642,992 S * 8/2011 Sasaki D13/164
D668,216 S * 10/2012 Dallaire D13/102
D677,635 S * 3/2013 Ling D13/177

(71) Applicant: **Yi Li**, Eastvale, CA (US)

* cited by examiner

(72) Inventor: **Yi Li**, Eastvale, CA (US)

Primary Examiner — Derrick Holland

(**) Term: **15 Years**

(74) *Attorney, Agent, or Firm* — Dunlap Bennett & Ludwig PLLC

(21) Appl. No.: **29/565,617**

(22) Filed: **May 23, 2016**

(57) **CLAIM**

(51) **LOC (10) Cl.** **13-02**

The ornamental design for a solar charge controller with LED indicator, as shown and described.

(52) **U.S. Cl.**

USPC **D13/102**; D13/110

(58) **Field of Classification Search**

DESCRIPTION

USPC D13/102, 101, 103, 107, 108, 110, 162, D13/162.1, 171, 177, 184, 199; D14/240, D14/242, 432, 433; 362/157, 158, 159, 362/171, 183, 191, 208, 257; 136/206, 136/243, 244, 245, 252; 320/101, 102, 320/114, 115, 120

FIG. 1 is a front perspective view of a solar charge controller with LED indicator;
FIG. 2 is a front elevation view of FIG. 1;
FIG. 3 is a rear elevation view of FIG. 1;
FIG. 4 is a left side elevation view of FIG. 1, the right side elevation view being a mirror image thereof;
FIG. 5 is a top plan view of FIG. 1;
FIG. 6 is a bottom plan view of FIG. 1; and,
FIG. 7 is a section view of the solar charge controller with LED indicator, taken along line 7-7 in FIG. 6.

CPC H01L 31/00; H01L 31/042; H01L 31/045; H01L 31/048; H01L 31/052; H01L 31/0232; H01L 25/00; Y02E 10/50; Y02E 10/52; H01M 10/465; H01M 10/482
See application file for complete search history.

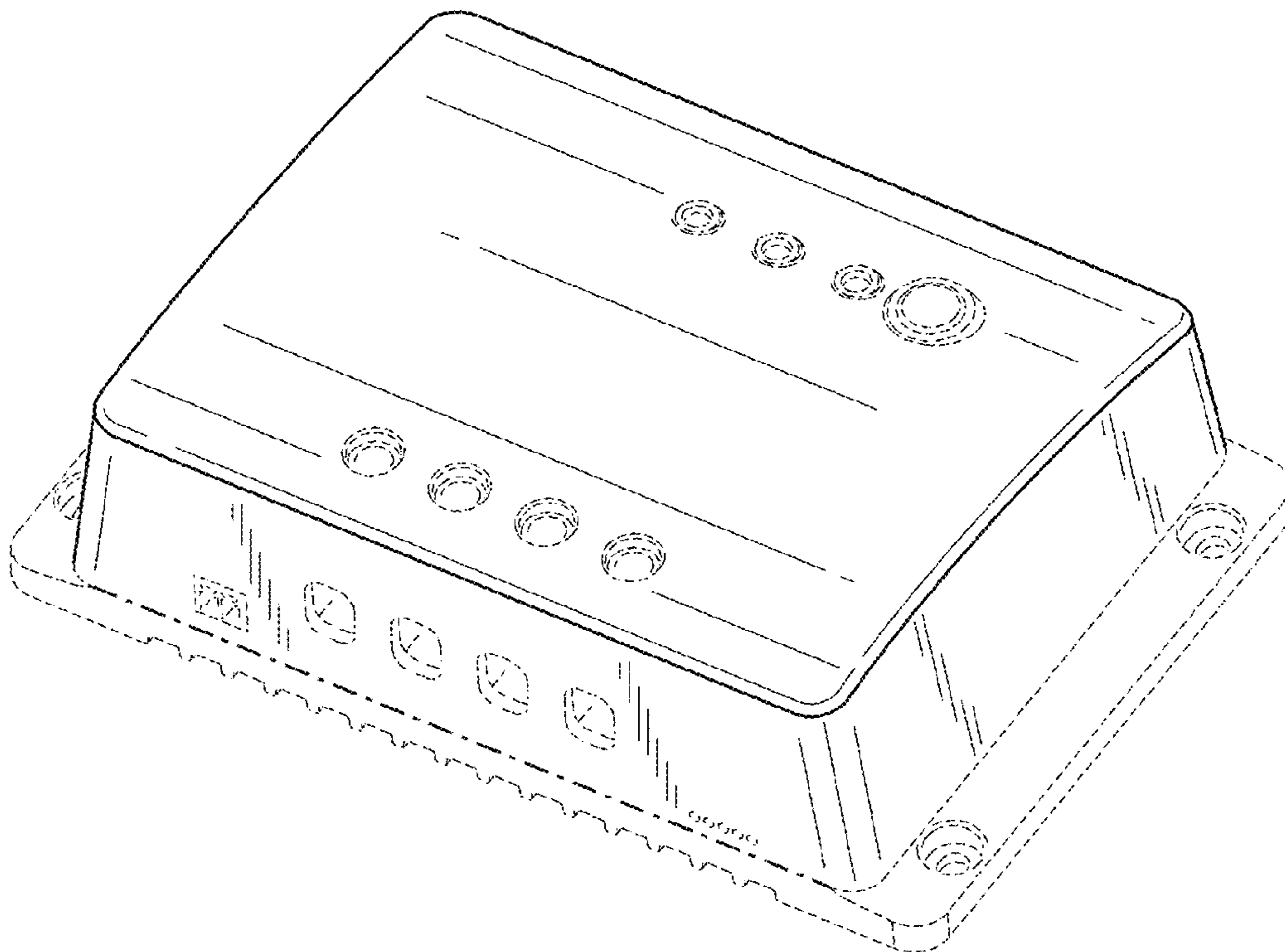
The broken lines shown in the drawings depict portions of the solar charge controller with LED indicator that form no part of the claimed design.

(56) **References Cited**

U.S. PATENT DOCUMENTS

D363,722 S * 10/1995 Aldridge D13/184
D517,006 S * 3/2006 Bessmertny D13/102

1 Claim, 4 Drawing Sheets



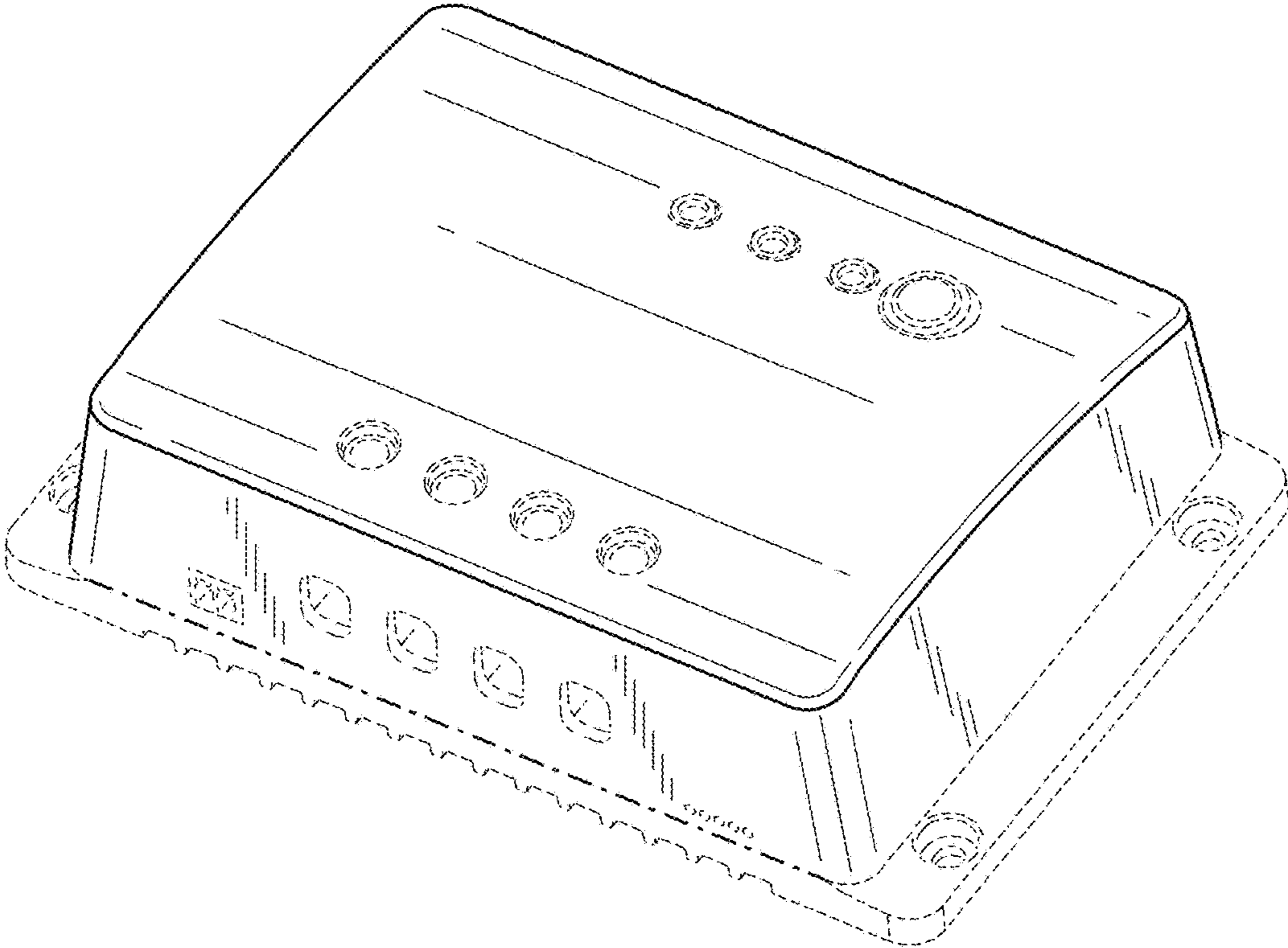


FIG. 1

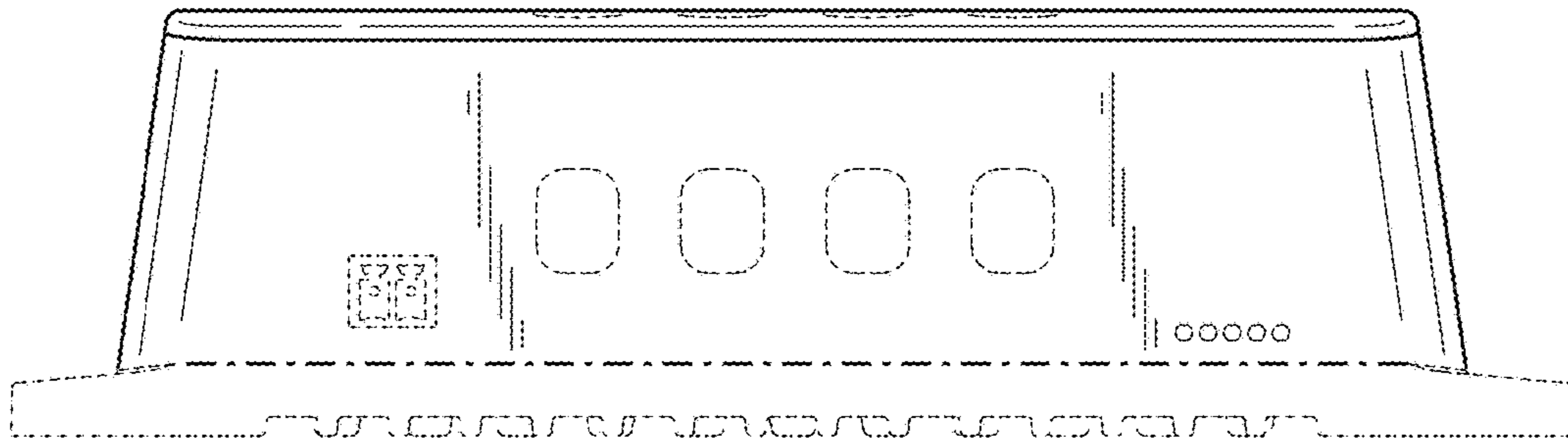


FIG. 2

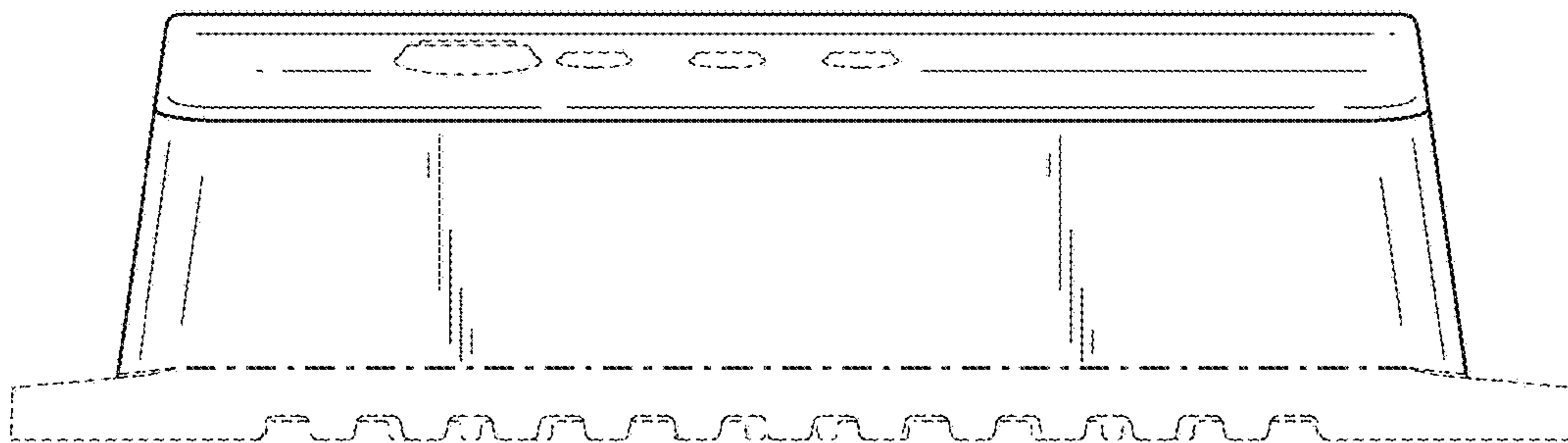


FIG. 3

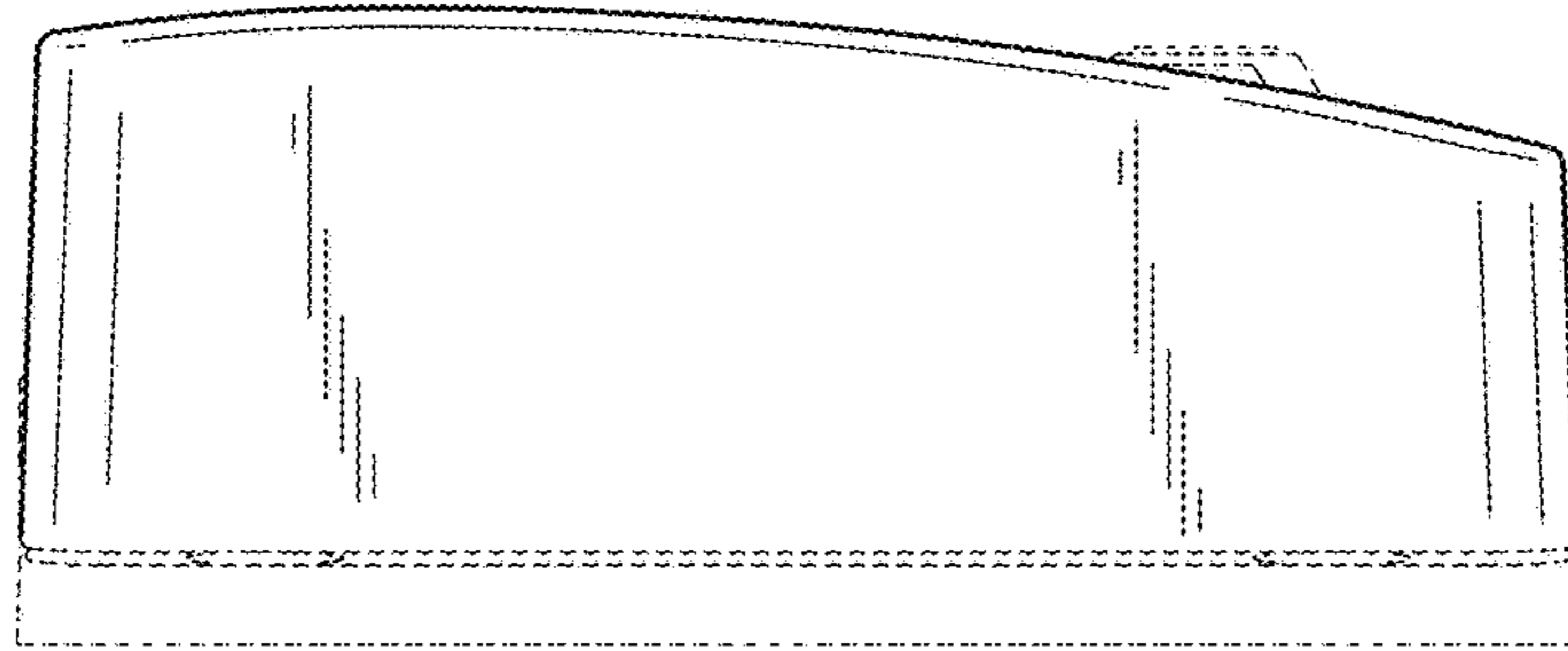


FIG. 4

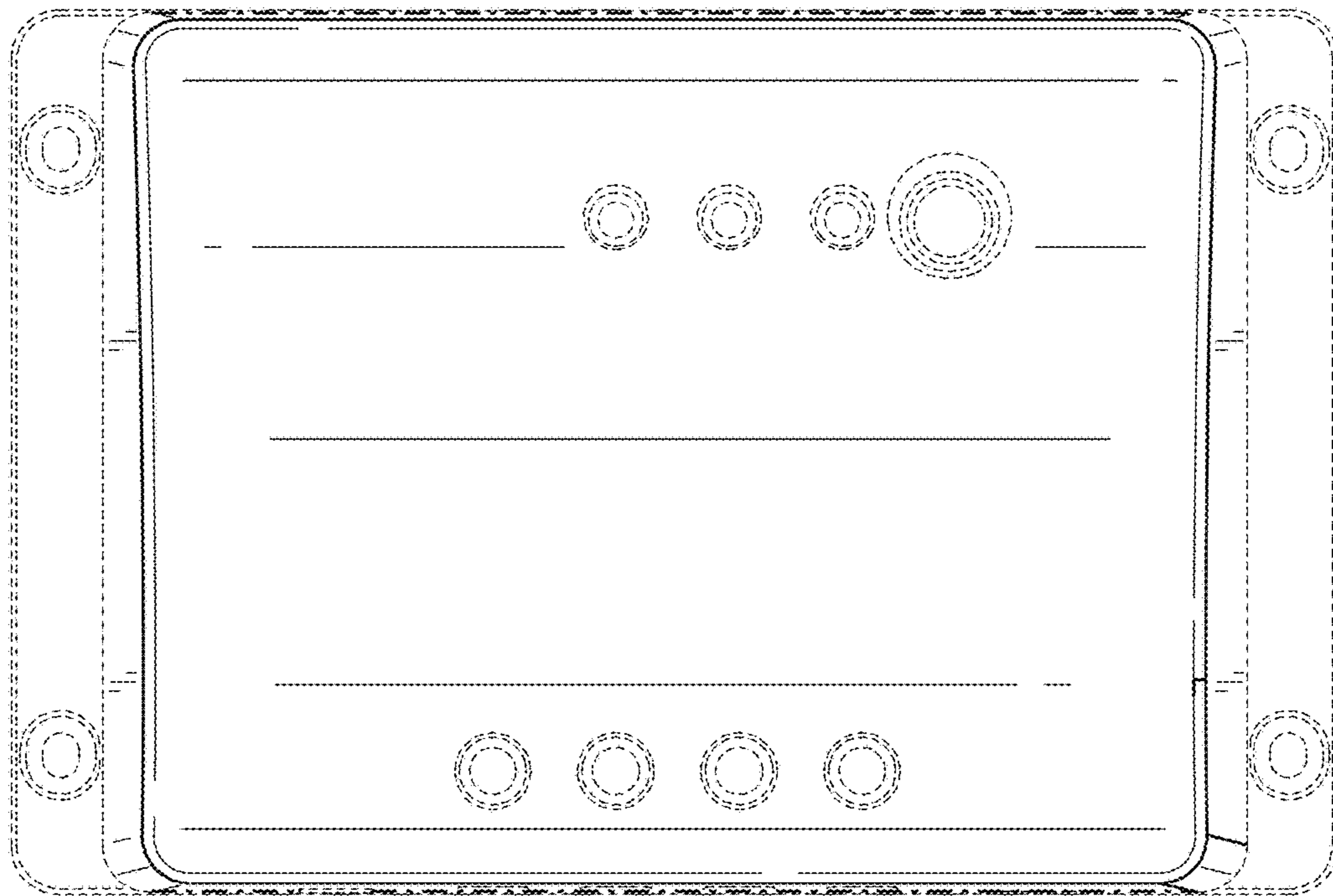


FIG. 5

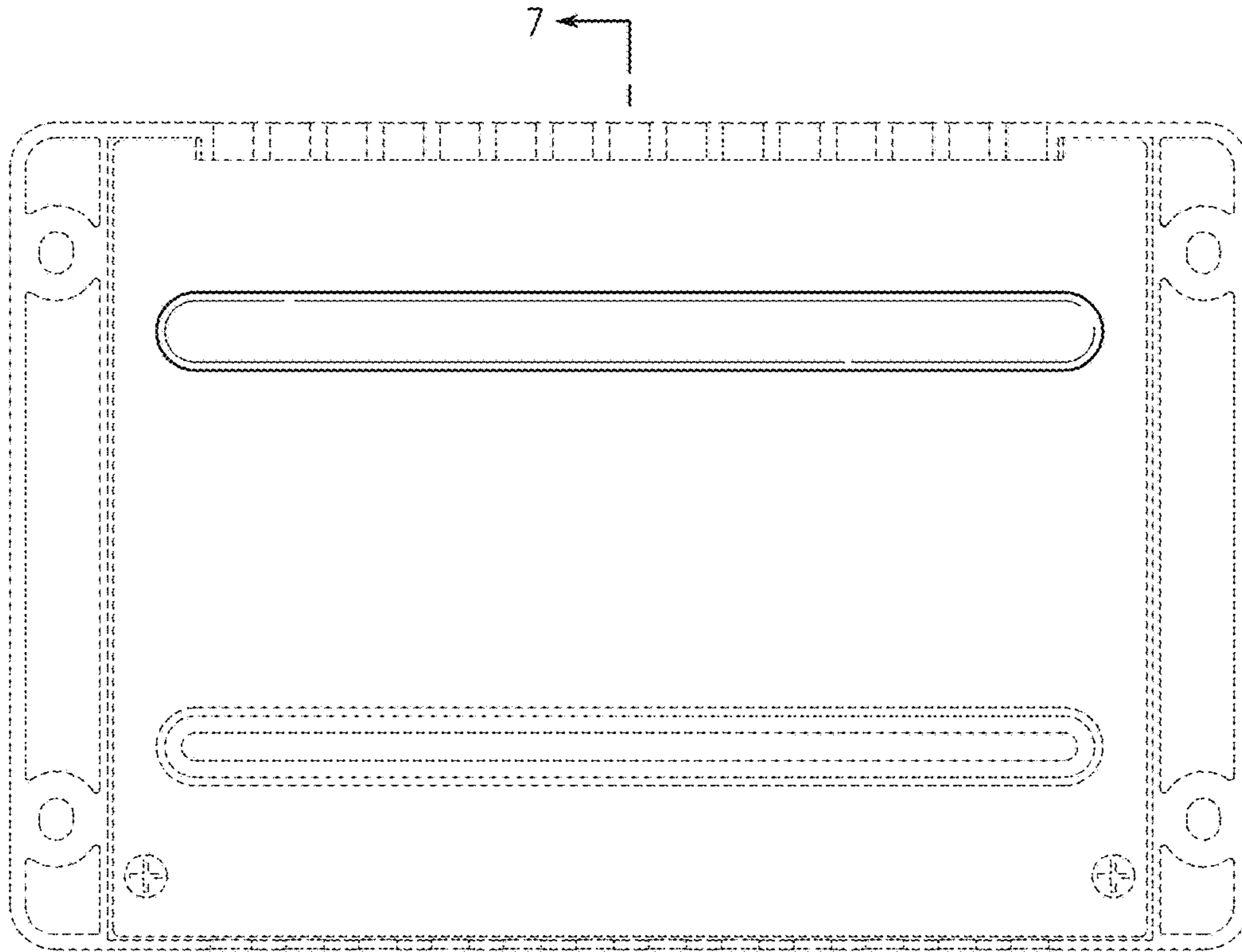


FIG. 6

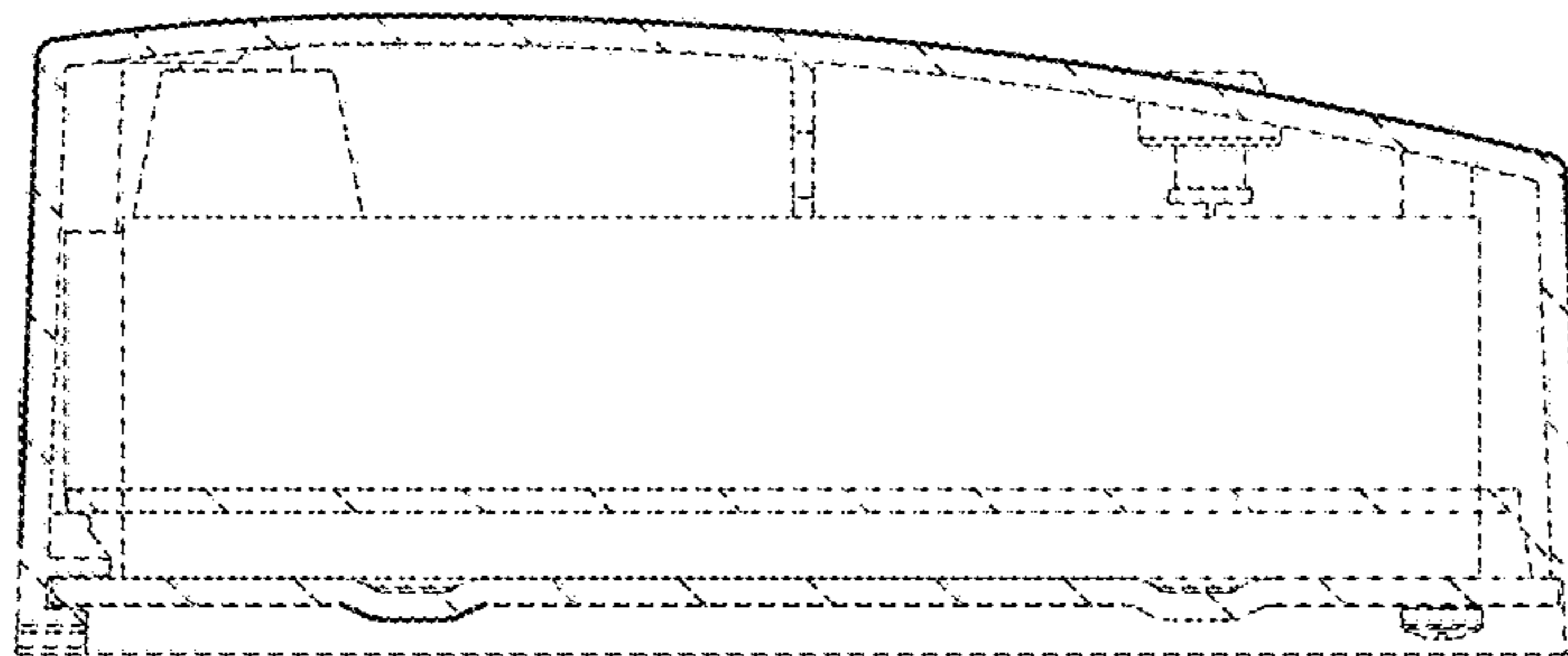


FIG. 7