



US00D789876S

(12) **United States Design Patent** (10) **Patent No.:** **US D789,876 S**
Lamb (45) **Date of Patent:** **** Jun. 20, 2017**

(54) **TIRE**
(71) Applicant: **CONTINENTAL REIFEN DEUTSCHLAND GMBH**, Hannover (DE)
(72) Inventor: **Matthew Lamb**, Waxhaw, NC (US)
(73) Assignee: **Continental Reifen Deutschland GmbH**, Hannover (DE)
(**) Term: **15 Years**
(21) Appl. No.: **29/558,228**
(22) Filed: **Mar. 16, 2016**
(51) **LOC (10) Cl.** **12-15**
(52) **U.S. Cl.**
USPC **D12/588**
(58) **Field of Classification Search**
USPC D12/568-604, 900
CPC B60C 1/0016; B60C 11/0306; B60C 11/0302; B60C 3/06; B60C 9/17
See application file for complete search history.

(56) **References Cited**
U.S. PATENT DOCUMENTS
D310,803 S * 9/1990 Hasegawa D12/590
D379,166 S * 5/1997 Aikawa D12/590

D386,454 S * 11/1997 Guspodin D12/589
D419,114 S * 1/2000 Weber D12/588
D419,115 S * 1/2000 Weber D12/588
D535,611 S * 1/2007 Sundkvist D12/588
D560,599 S * 1/2008 Dixon D12/587
D579,865 S * 11/2008 Matsuyama D12/586
D583,310 S * 12/2008 Dixon D12/588
D604,692 S * 11/2009 Ebiko D12/587
D607,812 S * 1/2010 Dixon D12/587
D736,697 S * 8/2015 Leocadio D12/588
D765,585 S * 9/2016 Fujii D12/601

* cited by examiner
Primary Examiner — Robert M Spear
Assistant Examiner — John Voytek
(74) *Attorney, Agent, or Firm* — Laurence A. Greenberg; Werner H. Stemer; Ralph E. Locher

(57) **CLAIM**
The ornamental design for a tire, as shown and described.

DESCRIPTION
FIG. 1 is a perspective view of the tire showing my new design;
FIG. 2 is a partial front view thereof;
FIG. 3 is a right side elevation view thereof; and,
FIG. 4 is a left side elevation view thereof.
The broken lines represent the border to the unclaimed portions of the interior of the tire.

1 Claim, 4 Drawing Sheets





FIG. 1

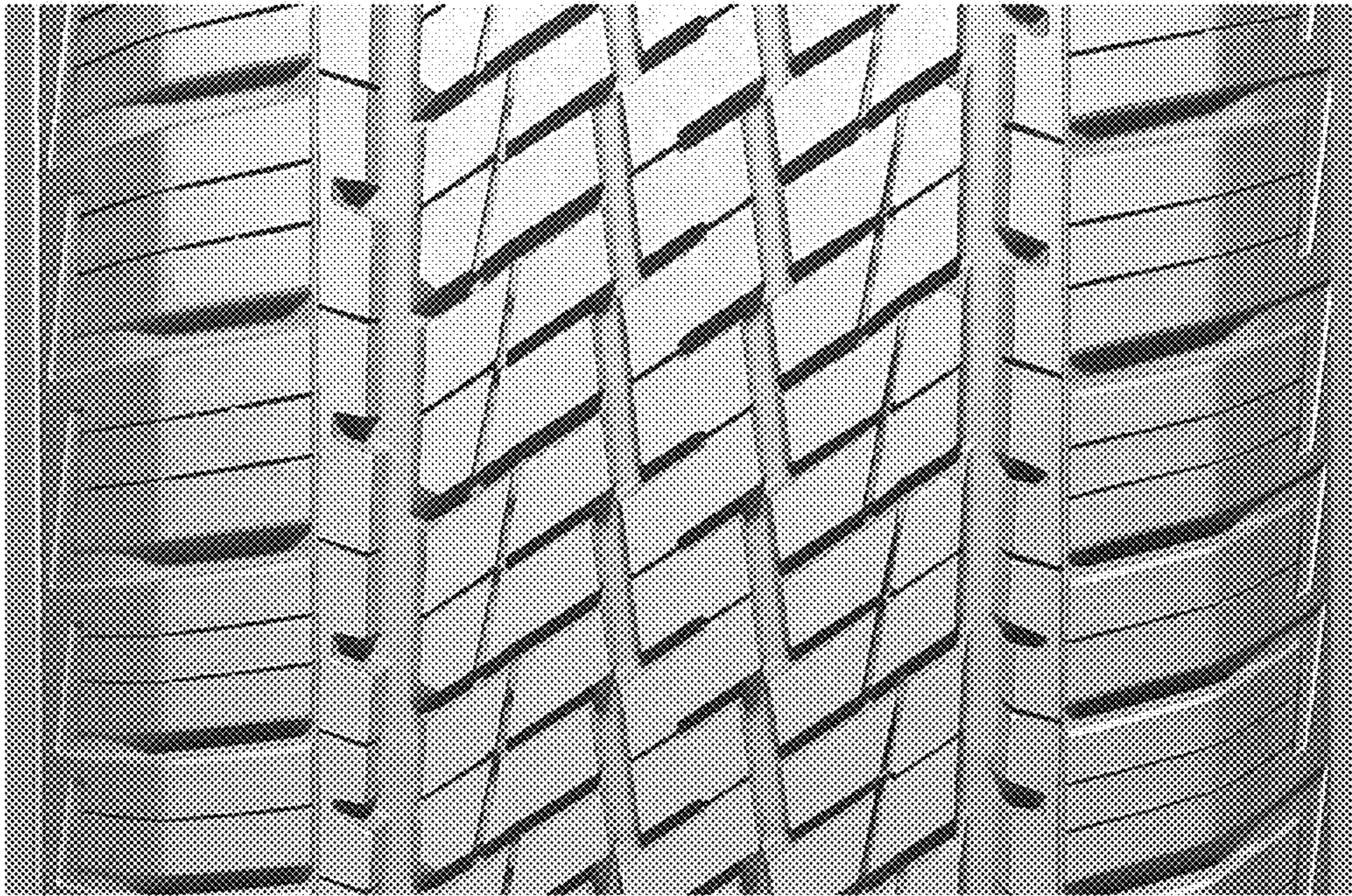


FIG. 2

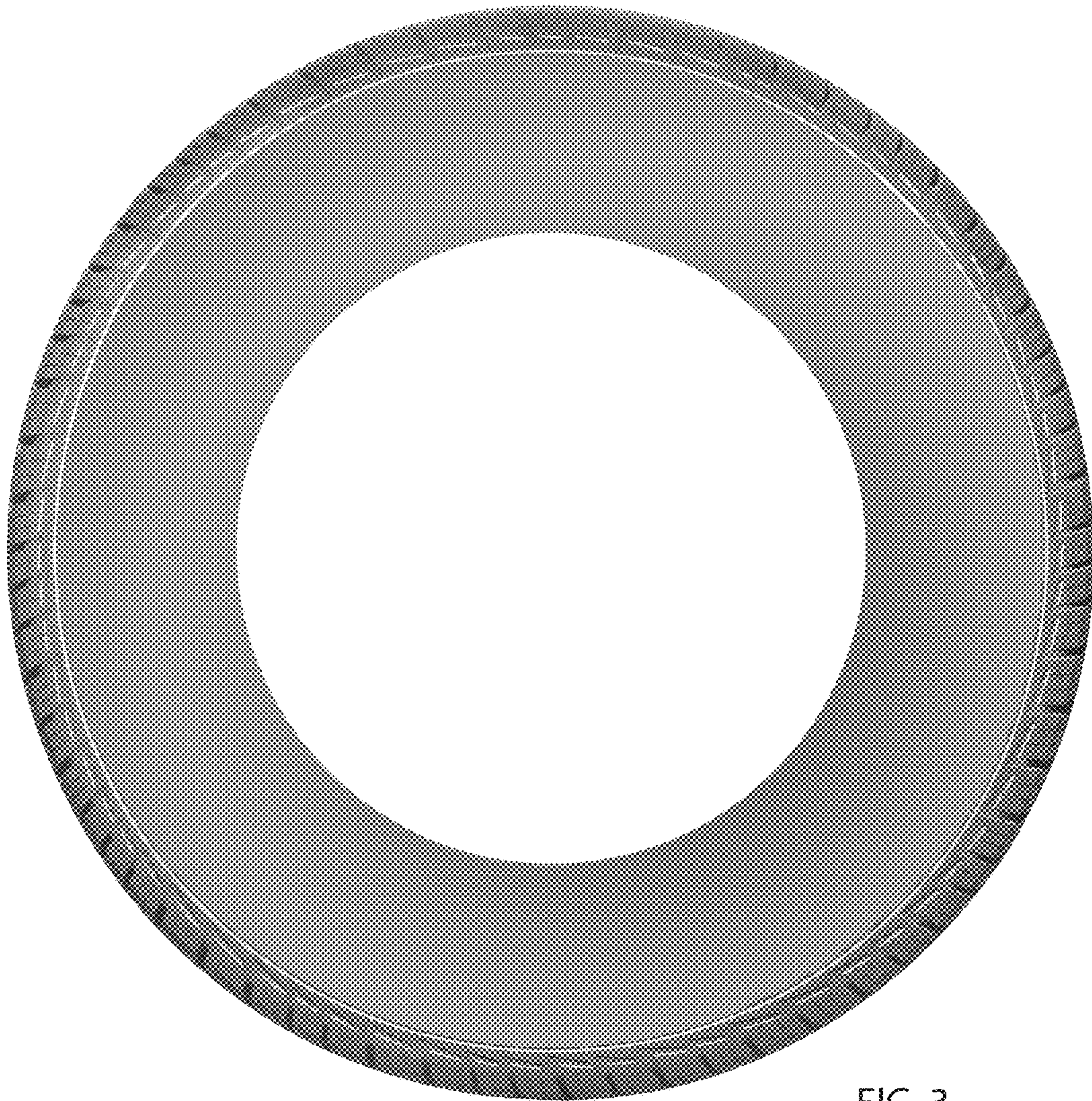


FIG. 3

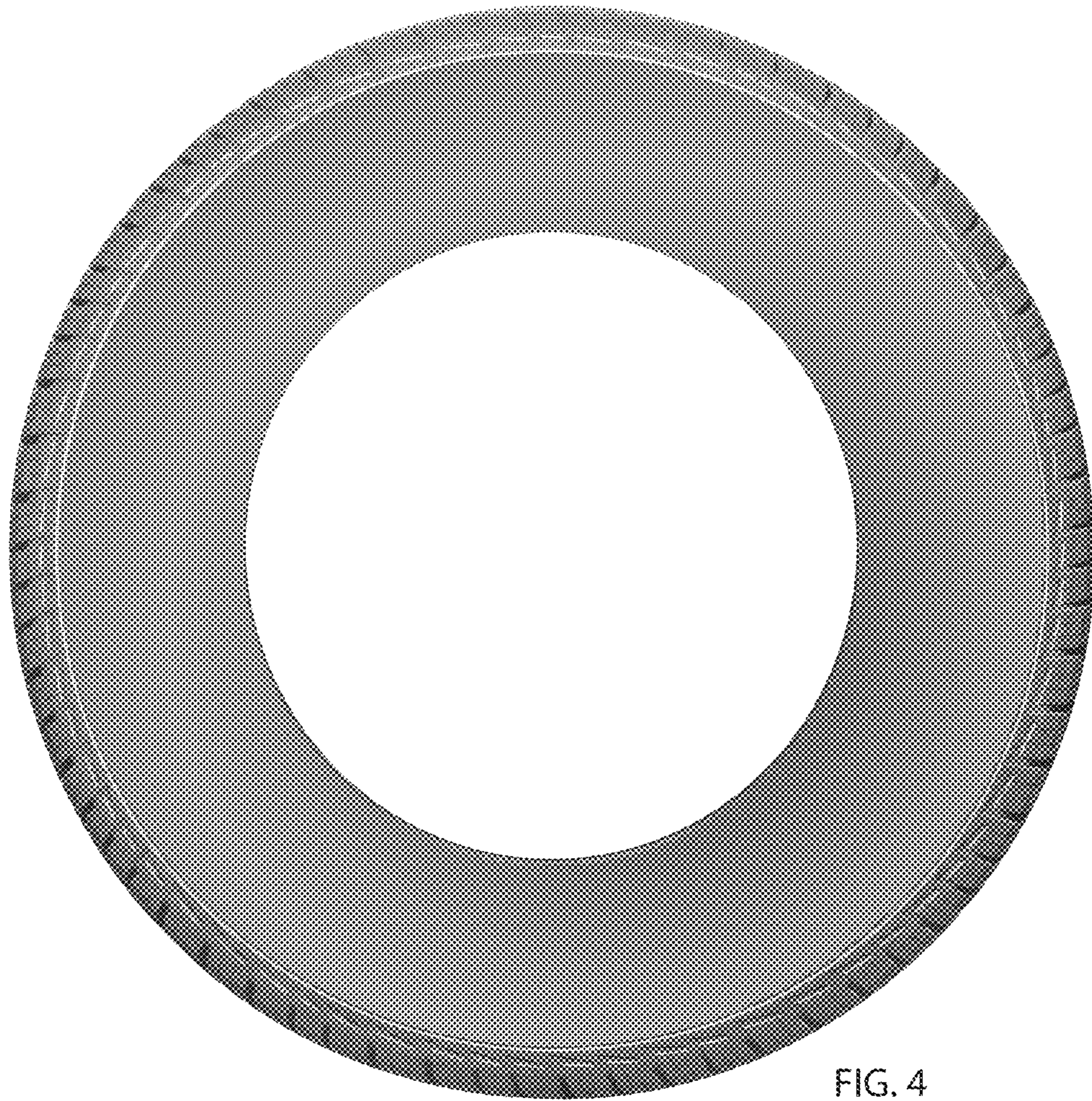


FIG. 4