



US00D789874S

(12) **United States Design Patent** (10) **Patent No.:** **US D789,874 S**
Jacobs (45) **Date of Patent:** **** Jun. 20, 2017**

(54) **TIRE TREAD**
(71) Applicant: **COOPER TIRE & RUBBER COMPANY**, Findlay, OH (US)
(72) Inventor: **Jeremy J. Jacobs**, Findlay, OH (US)
(73) Assignee: **COOPER TIRE & RUBBER COMPANY**, Findlay, OH (US)

D592,586 S * 5/2009 Maxwell D12/531
D601,940 S * 10/2009 Hughes D12/521
D619,955 S * 7/2010 Ashton D12/521
D626,497 S * 11/2010 Fraenkel D12/516
D643,359 S * 8/2011 Rau D12/521
D647,840 S 11/2011 Larregain
D656,084 S * 3/2012 Jacobs D12/527
D667,777 S * 9/2012 Jamot D12/531

(Continued)

(**) Term: **15 Years**
(21) Appl. No.: **29/529,378**

(22) Filed: **Jun. 5, 2015**
(51) **LOC (10) Cl.** **12-15**
(52) **U.S. Cl.**
USPC **D12/528**

(58) **Field of Classification Search**
USPC D12/500-532, 584, 604
CPC B60C 11/0311; B60C 11/0309; B60C 11/0304; B60C 11/03; B60C 11/0327; B60C 11/0316; B60C 11/042; B60C 11/04; B60C 11/1323; B60C 2011/0344; B60C 2011/0341; B60C 2011/0339; B60C 2011/0388; B60C 2011/0386; B60C 2011/0358; B60C 2011/0351; B60C 2011/0348; B60C 2011/1231; B60C 2011/1209

See application file for complete search history.

(56) **References Cited**
U.S. PATENT DOCUMENTS

D284,562 S 7/1986 Kojima et al.
D308,659 S 6/1990 Brayer
D370,878 S 6/1996 McKisson
D377,635 S 1/1997 Numata
D397,651 S 9/1998 Schuster
D400,832 S 11/1998 Dixon et al.
D407,678 S 4/1999 Dixon et al.
D502,911 S 3/2005 Sato
D526,270 S * 8/2006 Miyasaka D12/532
D562,757 S * 2/2008 Iwai D12/519
D586,726 S * 2/2009 Baumard D12/521

OTHER PUBLICATIONS

Continental ExtremeContact DWS All-Season Tire 215/45R17 91Z, posted at Amazon, comment posting date Jan. 21, 2014. [online], [site visited Nov. 22, 2016]. Available from Internet, <URL: https://www.amazon.com/gp/product/B004QGZLJE/ref=as_li_tl?tag=pmagus-20&ie=UTF8&camp=1789&creative=390957&creativeASIN=B004QGZLJE&linkCode=as2&linkId=WOCUPKCRNIQXRMV2>.*

(Continued)

Primary Examiner — Kevin Rudzinski
Assistant Examiner — Kathleen Jones
(74) *Attorney, Agent, or Firm* — Fay Sharpe LLP

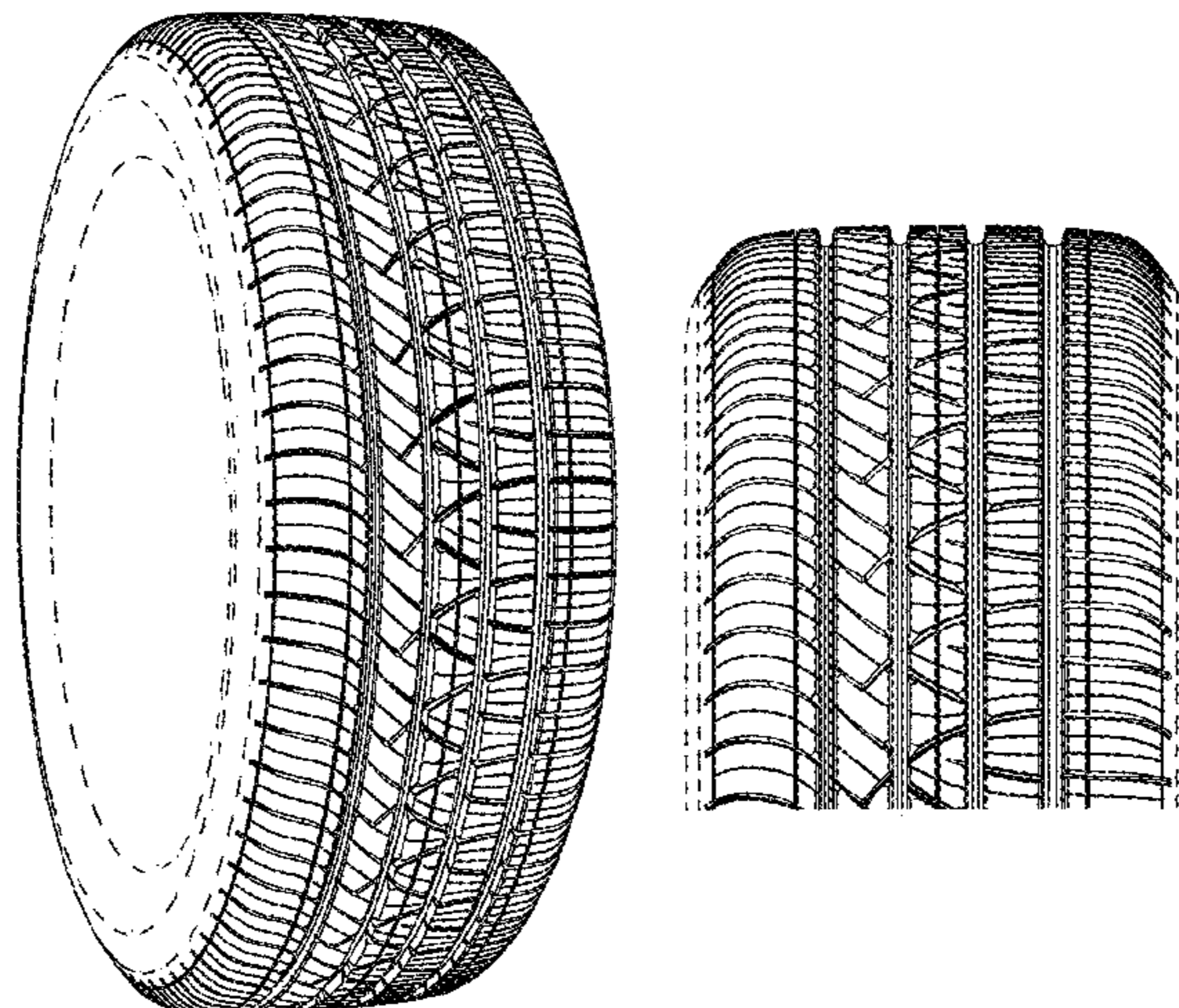
(57) **CLAIM**

The ornamental design for a tire tread, as shown and described.

DESCRIPTION

FIG. 1 is a perspective view of a full tire including the tire tread of the present application; FIG. 2 is a partial view of the first side thereof; FIG. 3 is a partial view of the second side thereof; FIG. 4 is a front view thereof; and, FIG. 5 is an enlarged partial front view thereof. The broken lines showings of the sidewall, inner bead, and the peripheral boundary between the tire tread and the sidewall are included for the purpose of illustrating environment and form no part of the claimed design for the tire tread.

1 Claim, 5 Drawing Sheets



(56)

References Cited

U.S. PATENT DOCUMENTS

D700,879 S 3/2014 Harris et al.
 D719,081 S 12/2014 Lim et al.
 D719,906 S * 12/2014 Kato D12/519
 D722,555 S 2/2015 Knispel et al.
 D726,641 S * 4/2015 Kuwano D12/531
 D730,809 S * 6/2015 Bonifas D12/523
 D732,461 S * 6/2015 Bindner D12/519
 D733,037 S * 6/2015 Jacobs D12/527
 D741,784 S * 10/2015 Son D12/531
 D741,785 S * 10/2015 Lamb D12/531
 D743,875 S * 11/2015 Shondel D12/532
 D743,876 S * 11/2015 Dixon D12/532
 D755,111 S * 5/2016 Yang D12/521
 D772,789 S * 11/2016 Shondel D12/532
 D773,977 S * 12/2016 Dixon D12/521
 9,522,574 B2 * 12/2016 Hayashi B60C 11/12
 D775,581 S * 1/2017 Zhang D12/521
 D779,409 S * 2/2017 Zhang D12/501
 D782,960 S * 4/2017 Tikka D12/531
 D783,508 S * 4/2017 Tikka D12/528
 2003/0121580 A1 * 7/2003 Bello B60C 11/0309
 152/209.25
 2012/0152421 A1 * 6/2012 Stuckey B60C 11/0306
 152/209.16
 2017/0043627 A1 * 2/2017 Shimura B60C 11/0302

OTHER PUBLICATIONS

Bridgestone—Turanza Serenity, posted at CARiD, posting date Jul. 15, 2012. [online], [site visited Nov. 22, 2016]. Available from Internet, <URL: <https://web.archive.org/web/20120715063617/http://www.carid.com/bridgestone-tires/turanza-serenity-872548.html>>.*

* cited by examiner

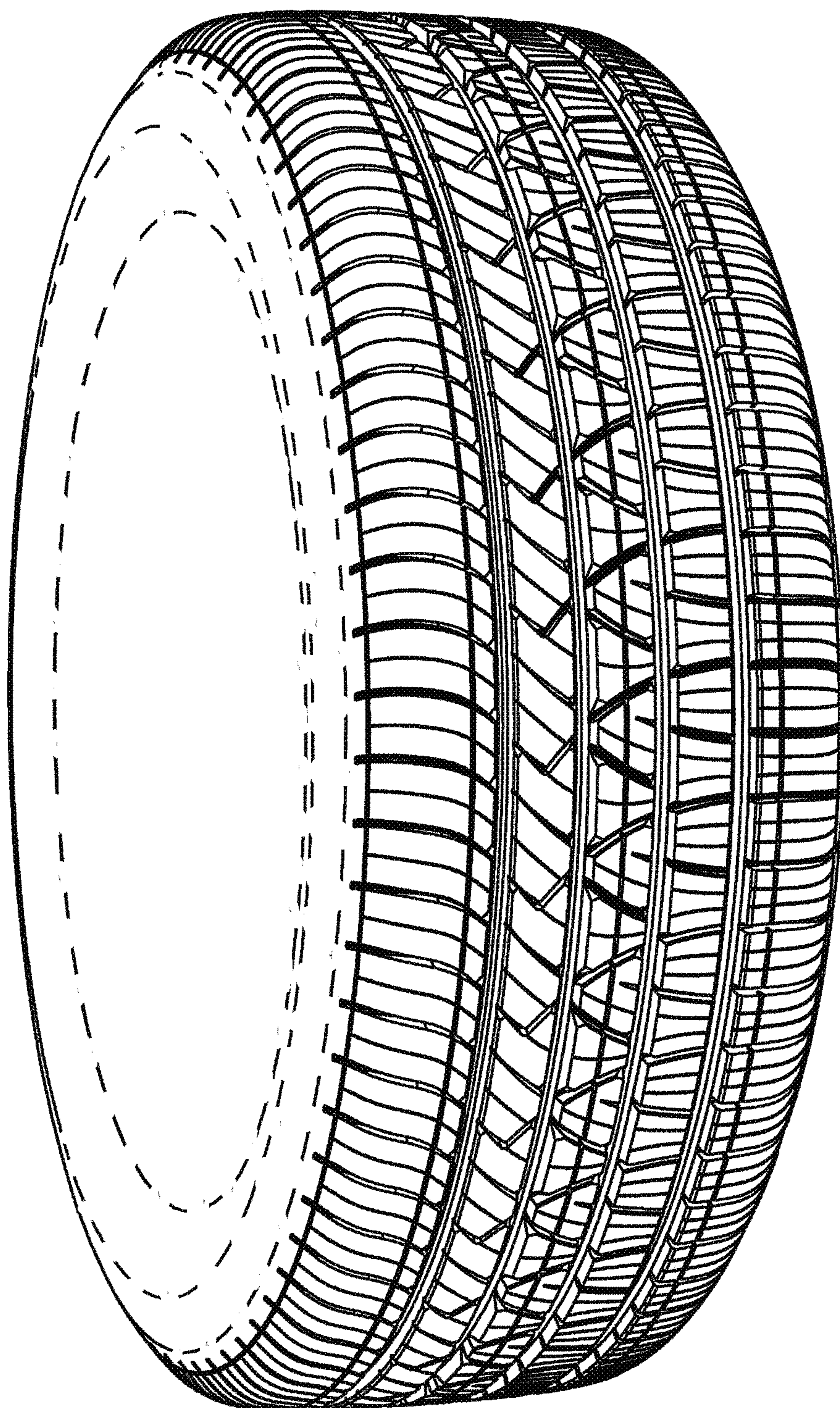


FIG. 1

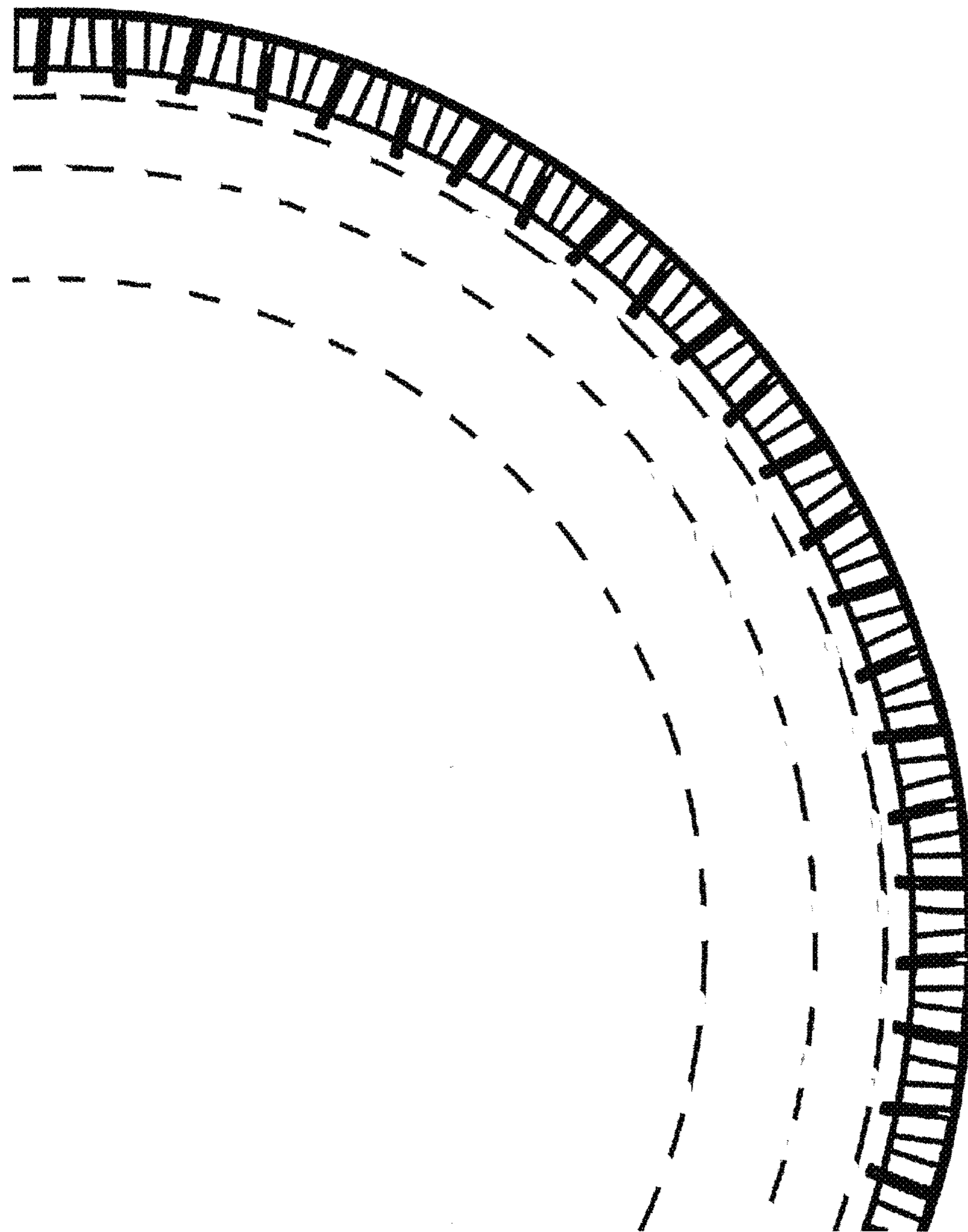


FIG. 2

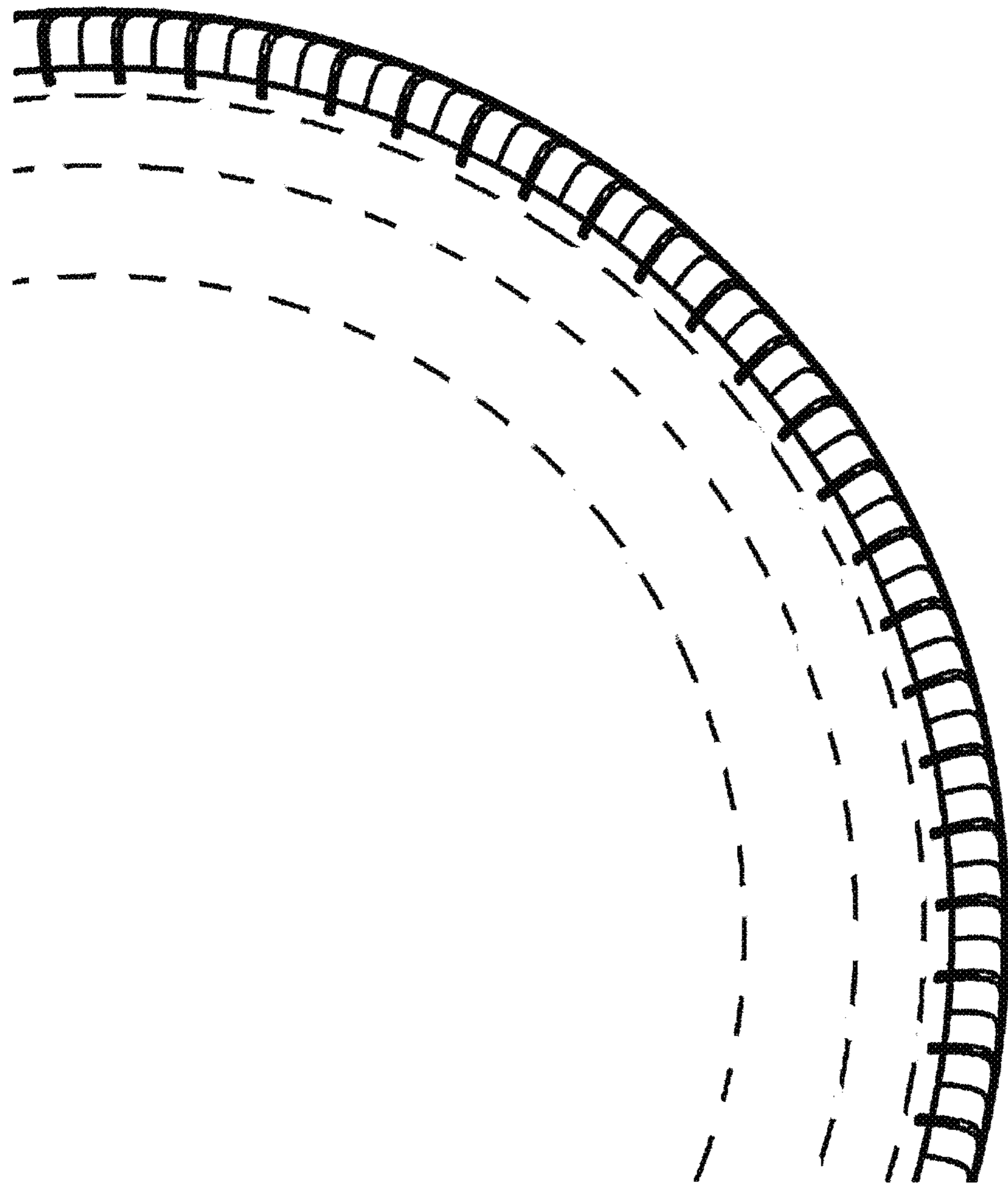


FIG. 3

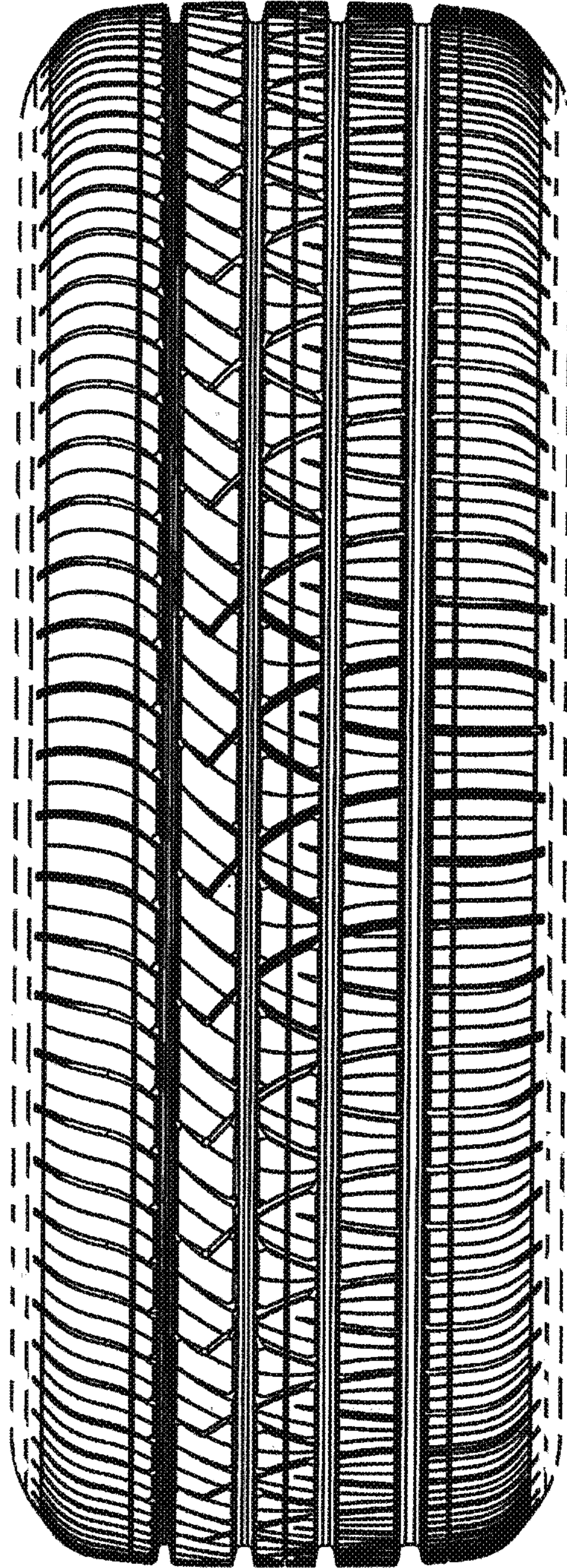


FIG. 4

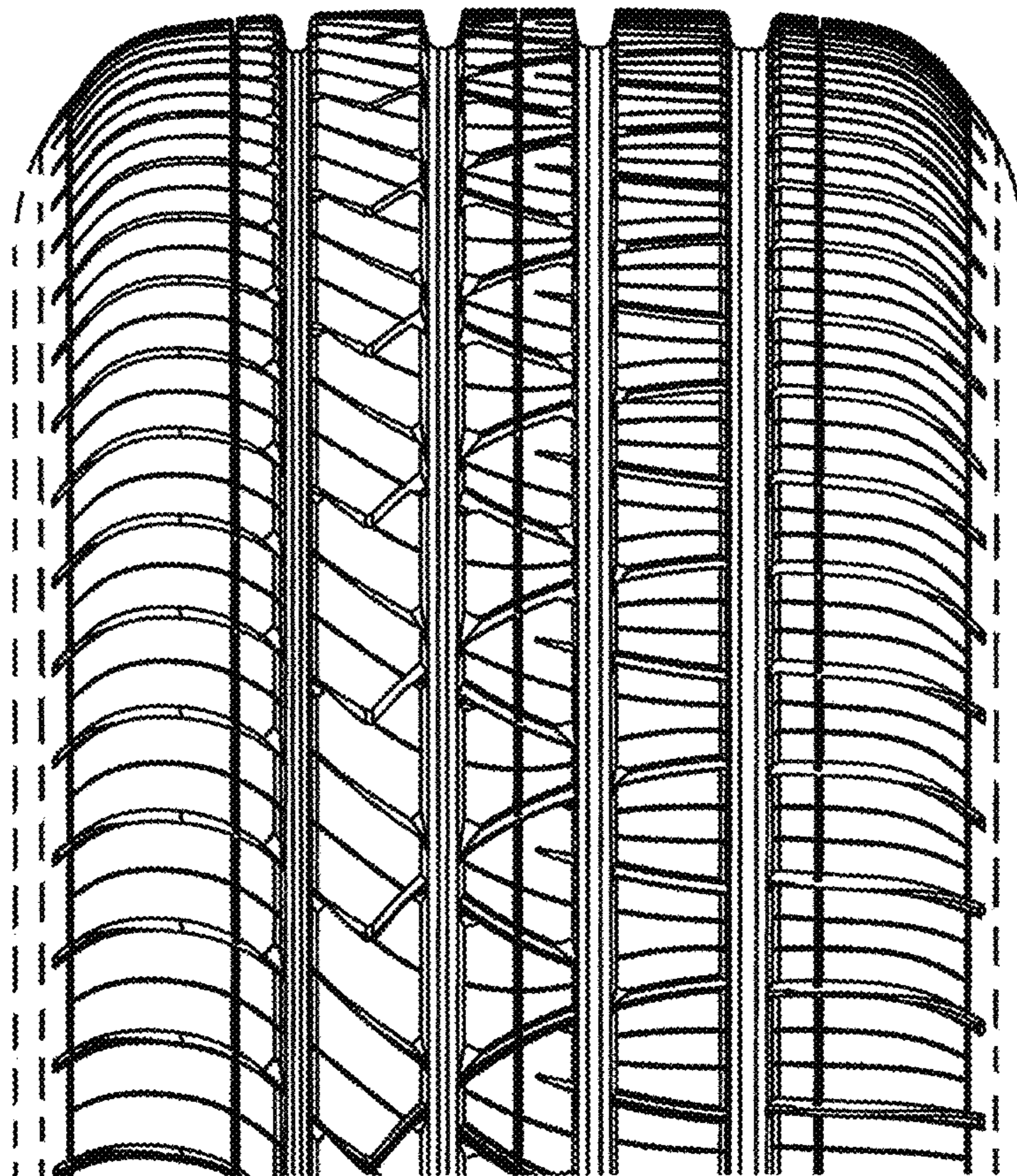


FIG. 5