



US00D789873S

(12) **United States Design Patent**  
**Kiwaki**

(10) **Patent No.:** **US D789,873 S**

(45) **Date of Patent:** **\*\* Jun. 20, 2017**

(54) **TIRE TREAD**

(71) Applicant: **BRIDGESTONE CORPORATION**,  
Tokyo (JP)

(72) Inventor: **Yukihiro Kiwaki**, Tokyo (JP)

(73) Assignee: **BRIDGESTONE CORPORATION**,  
Chuo-ku, Tokyo (JP)

(\*\*) Term: **15 Years**

(21) Appl. No.: **29/567,195**

(22) Filed: **Jun. 7, 2016**

(30) **Foreign Application Priority Data**

Dec. 7, 2015 (JP) ..... 2015-027363

(51) **LOC (10) Cl.** ..... **12-15**

(52) **U.S. Cl.**  
USPC ..... **D12/523**

(58) **Field of Classification Search**  
USPC ..... D12/505-532, 900  
CPC ..... B60C 1/0016; B60C 11/0306; B60C  
11/0302; B60C 3/06; B60C 9/17  
See application file for complete search history.

(56) **References Cited**

**U.S. PATENT DOCUMENTS**

D600,192 S	*	9/2009	Sato	.....	D12/521
D633,433 S	*	3/2011	Sieber	.....	D12/519
D651,161 S	*	12/2011	Umstot	.....	D12/519
D701,822 S	*	4/2014	Bindner	.....	D12/523

D711,812 S	*	8/2014	Takahashi	.....	D12/521
D715,214 S	*	10/2014	Fontaine	.....	D12/523
D729,147 S	*	5/2015	Perrier	.....	D12/518
D732,461 S	*	6/2015	Bindner	.....	D12/519
D737,751 S	*	9/2015	Bourel	.....	D12/521
D743,872 S	*	11/2015	Huang	.....	D12/519
D750,010 S	*	2/2016	Kato	.....	D12/519
D758,954 S	*	6/2016	Albouy	.....	D12/518

\* cited by examiner

*Primary Examiner* — Robert M Spear

*Assistant Examiner* — John Voytek

(74) *Attorney, Agent, or Firm* — Sughrue Mion, PLLC

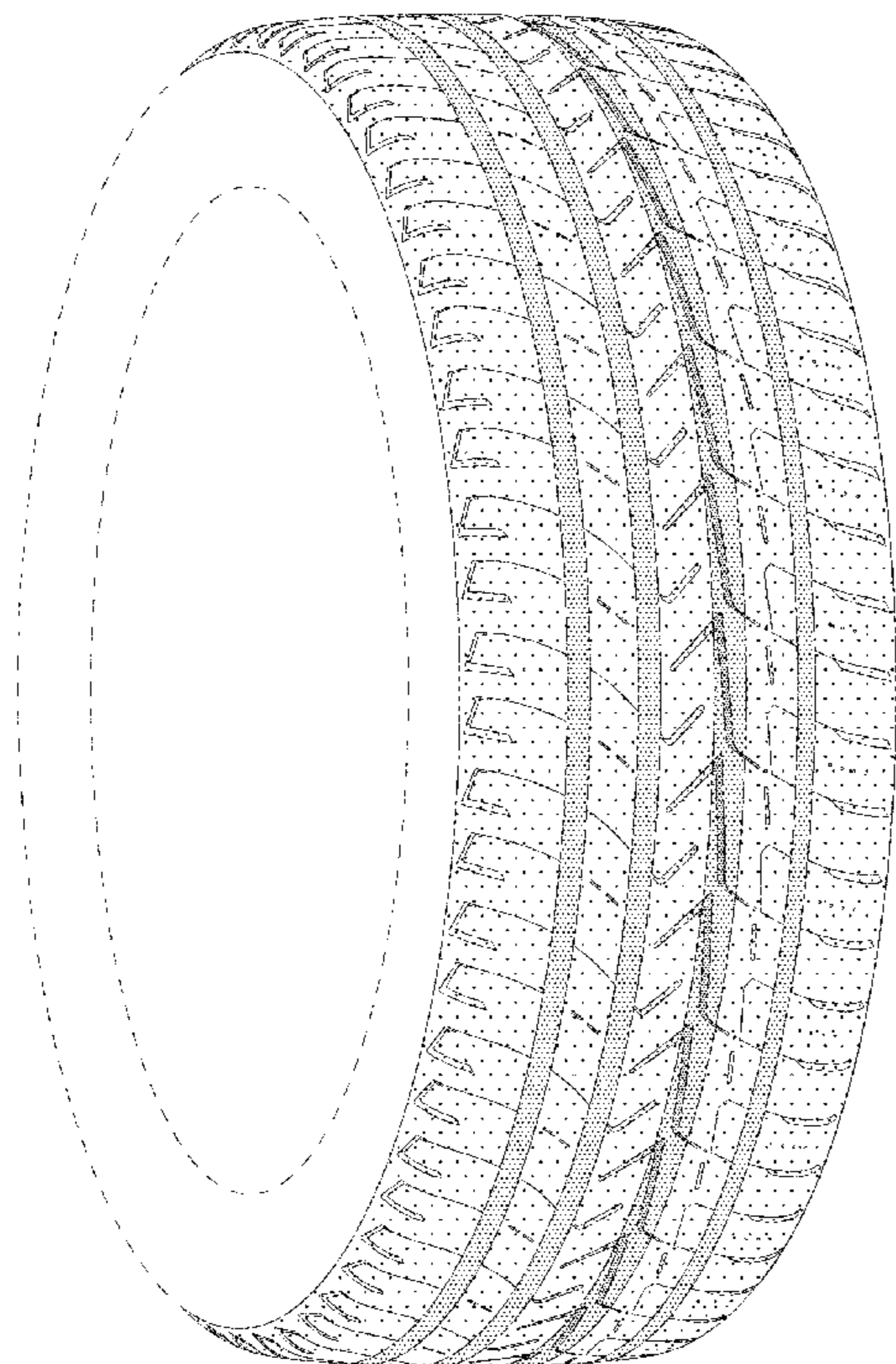
(57) **CLAIM**

The ornamental design for a tire tread, as shown and described.

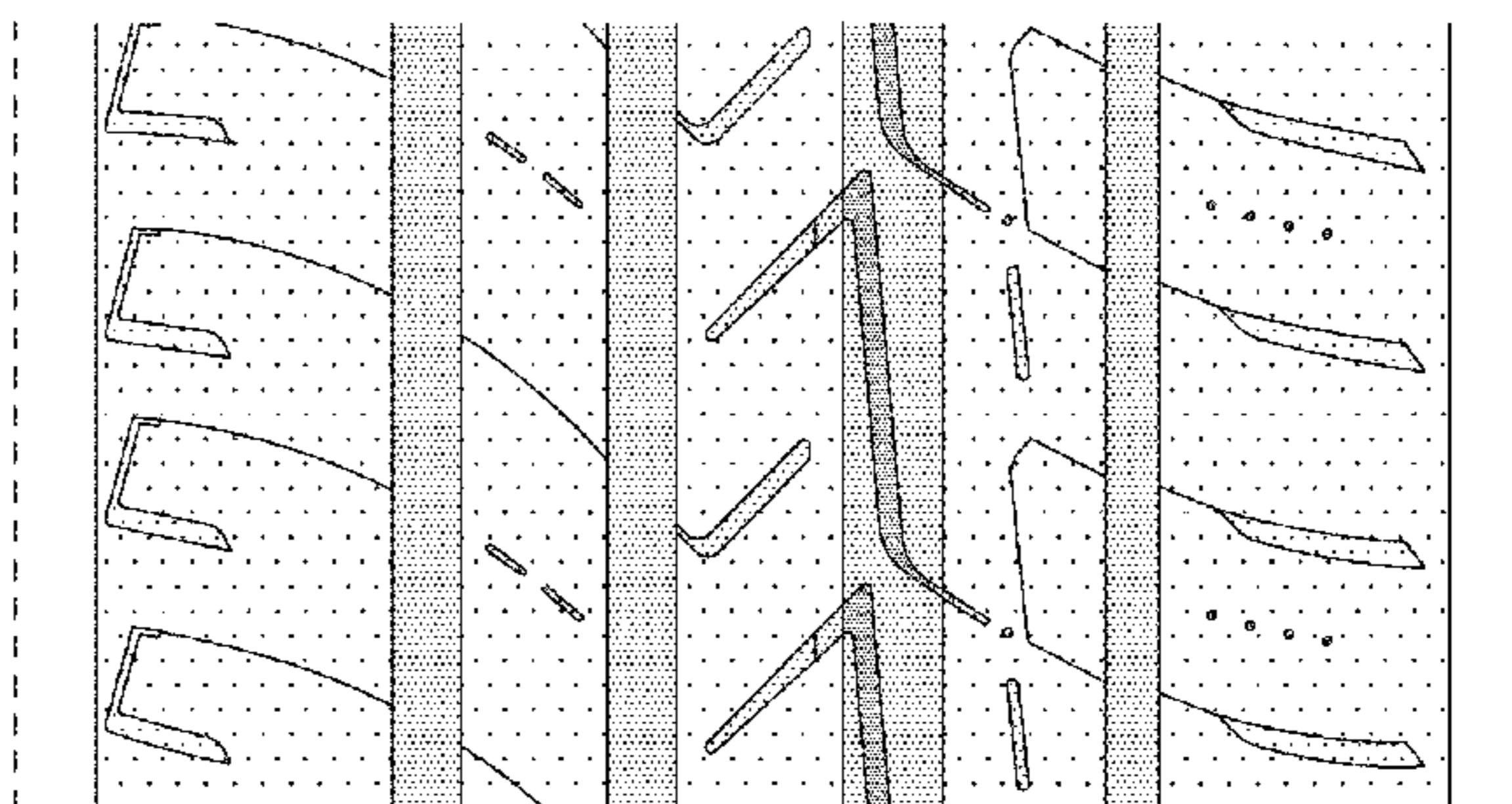
**DESCRIPTION**

FIG. 1 is a perspective view of a tire tread showing my design;  
 FIG. 2 is a front view thereof;  
 FIG. 3 is a top view thereof;  
 FIG. 4 is a right side view thereof;  
 FIG. 5 is a left side view thereof;  
 FIG. 6 is a fragmentary enlarged front view showing the details of the tread thereof;  
 FIG. 7 is a section view taken along line 7-7 in FIG. 6; and,  
 FIG. 8 is a section view taken along line 8-8 in FIG. 6.  
 The broken lines are used to show unclaimed environment, and thus form no part of the claimed design.

**1 Claim, 8 Drawing Sheets**

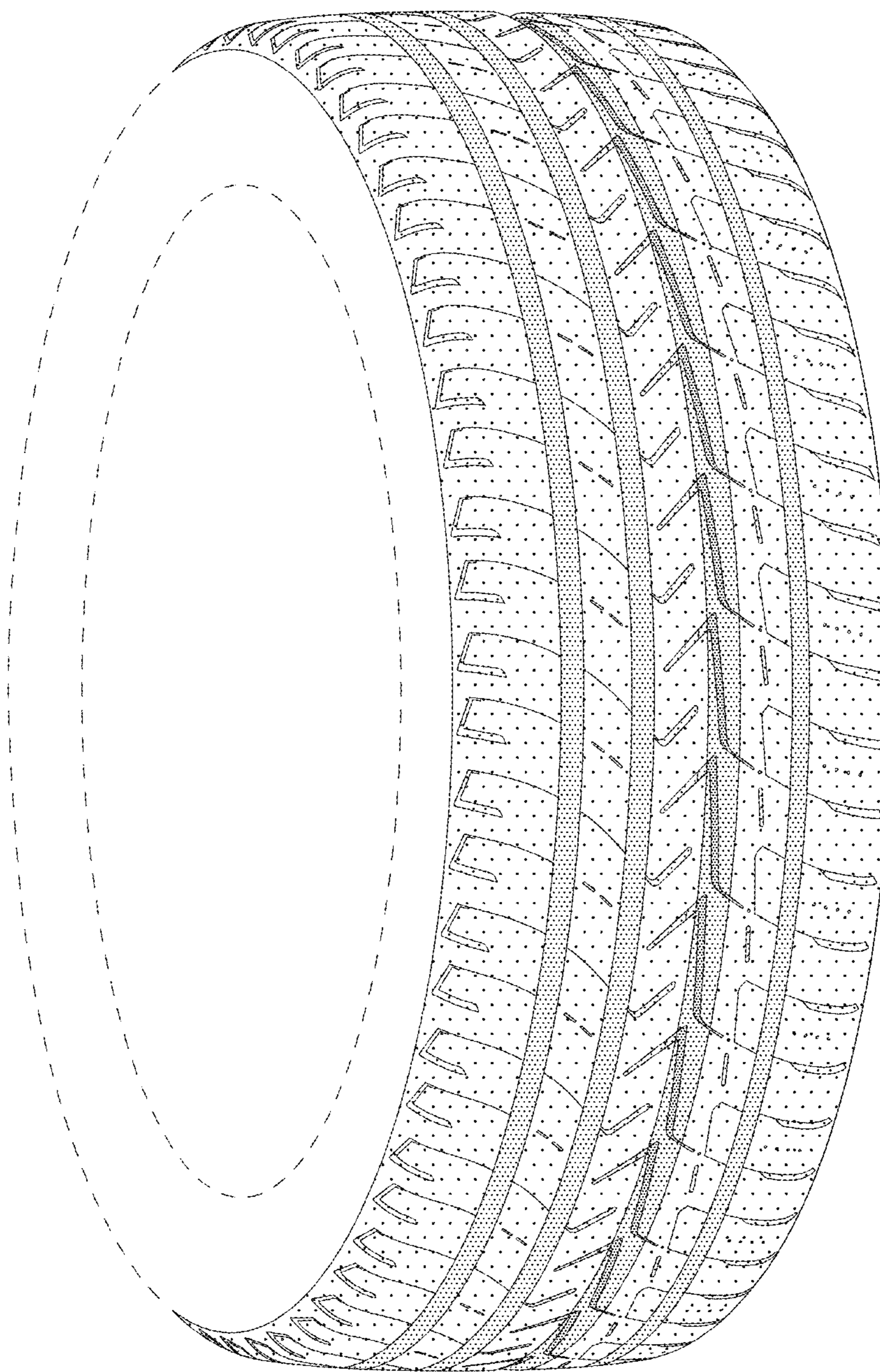


8 ↑  
7 ↑

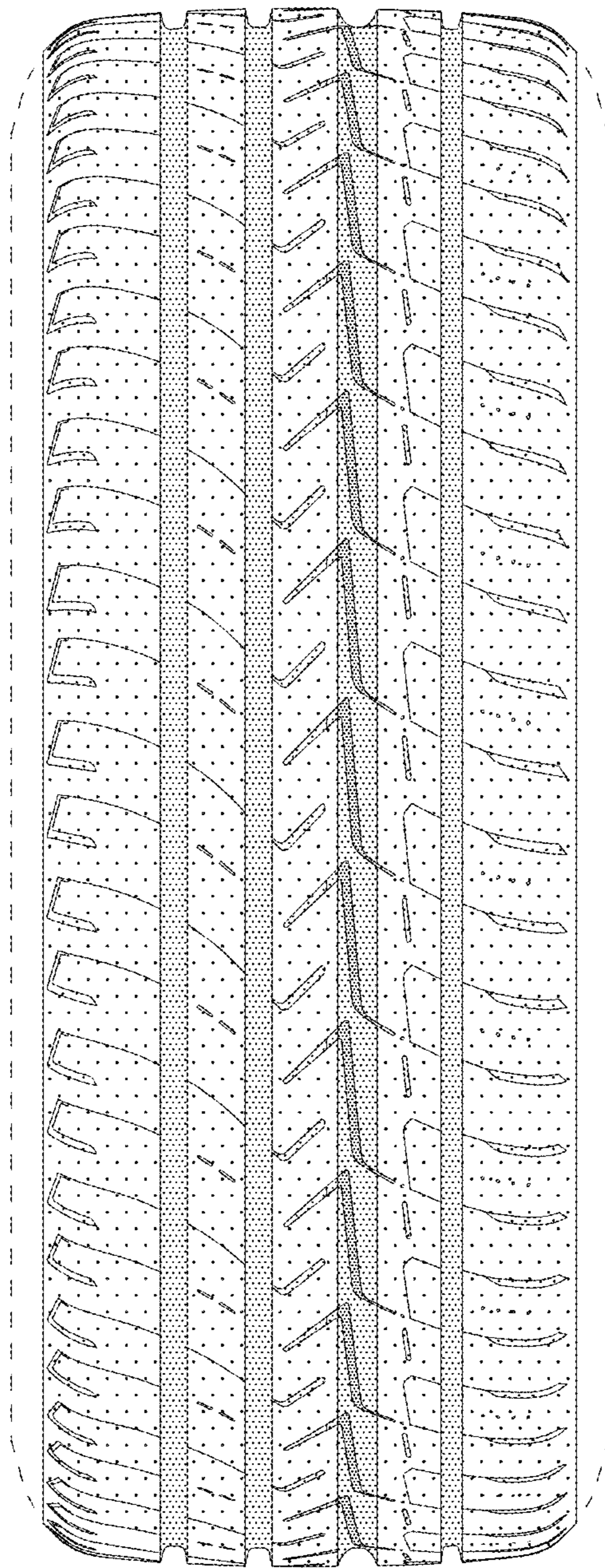


8 ↑  
7 ↑

*FIG. 1*



*FIG. 2*



*FIG. 3*

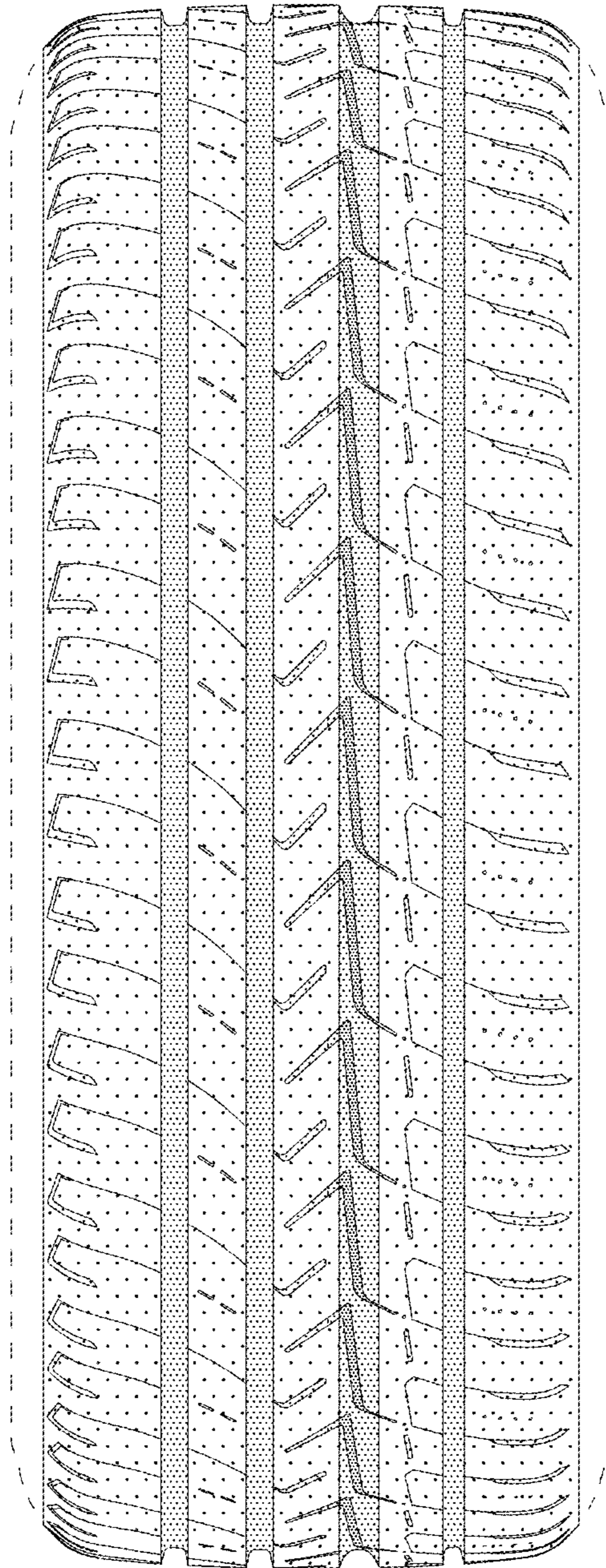
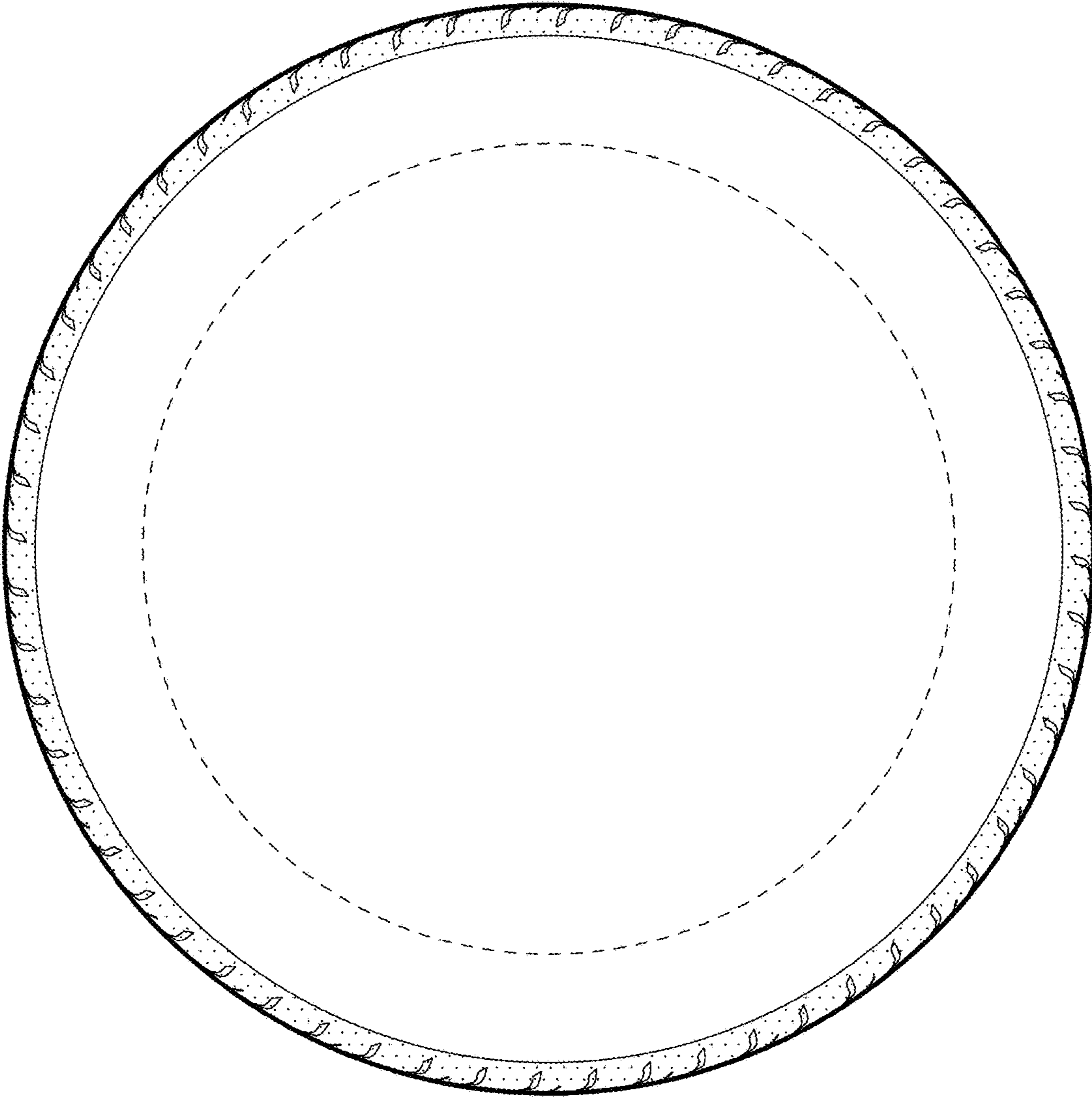
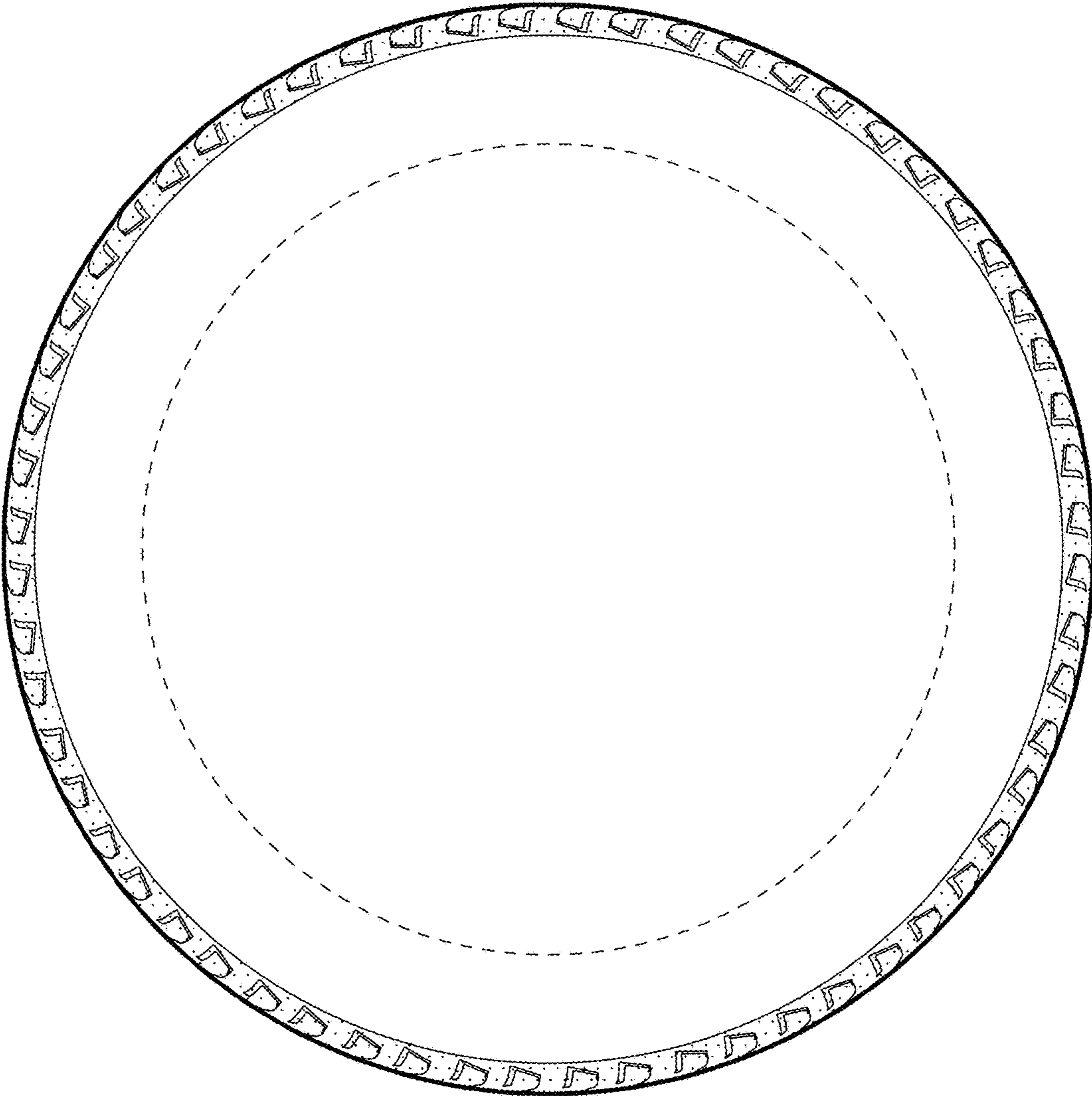


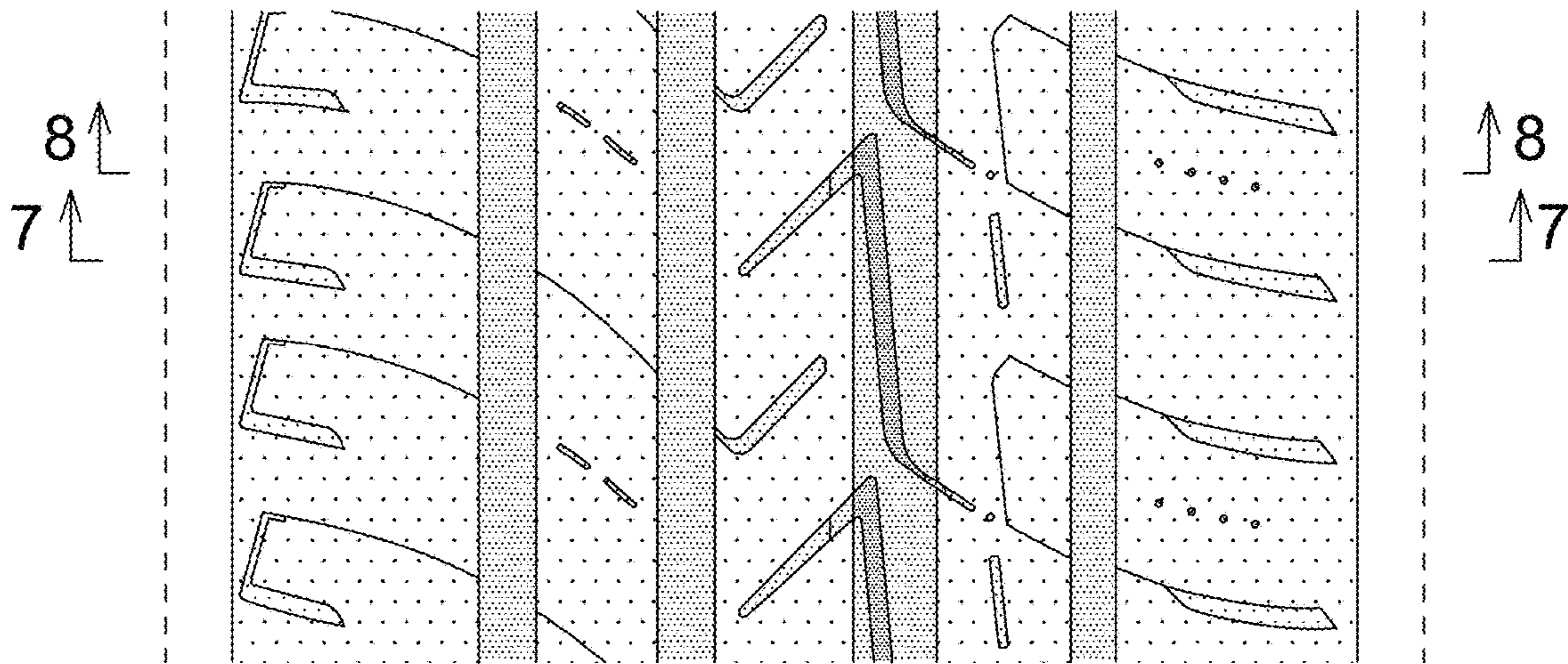
FIG. 4



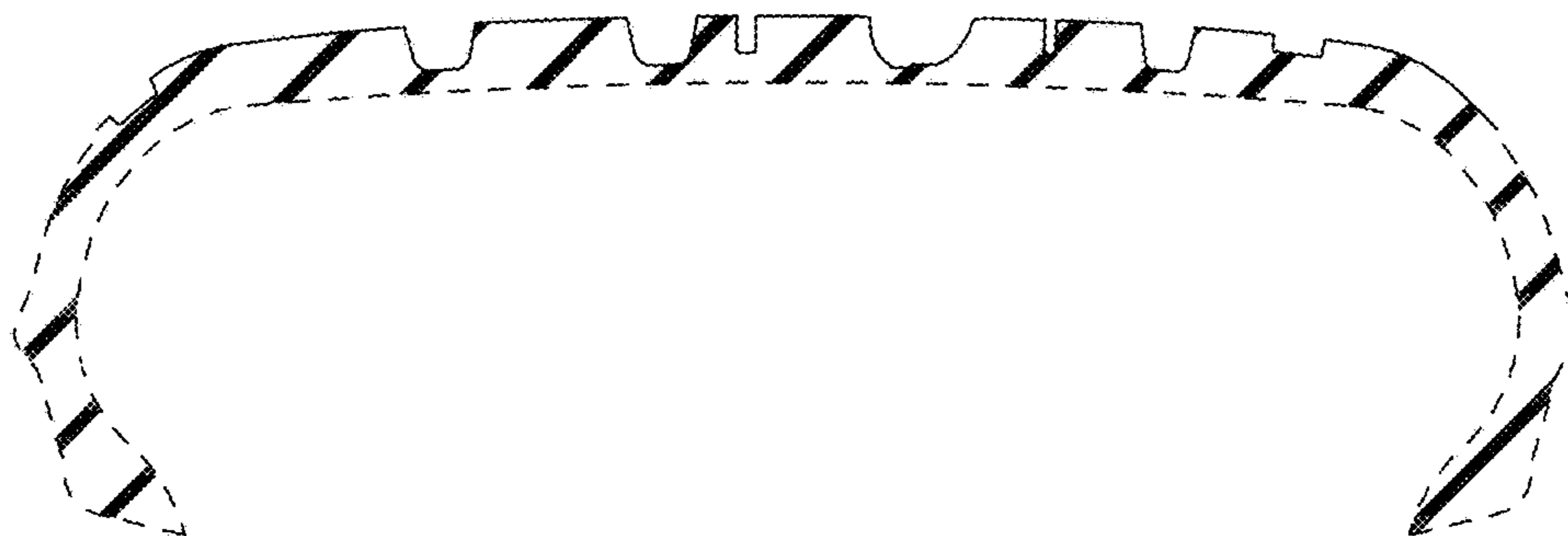
*FIG. 5*



*FIG. 6*



*FIG. 7*





*FIG. 8*

