



US00D789871S

(12) **United States Design Patent**
Shondel

(10) **Patent No.:** **US D789,871 S**
(45) **Date of Patent:** **** Jun. 20, 2017**

- (54) **TIRE**
- (71) Applicant: **The Goodyear Tire & Rubber Company, Akron, OH (US)**
- (72) Inventor: **Jonathan James Shondel, Massillon, OH (US)**
- (73) Assignee: **The Goodyear Tire & Rubber Company, Akron, OH (US)**
- (**) Term: **15 Years**
- (21) Appl. No.: **29/551,844**
- (22) Filed: **Jan. 18, 2016**
- (51) **LOC (10) Cl.** **12-15**
- (52) **U.S. Cl.**
USPC **D12/521**
- (58) **Field of Classification Search**
USPC 152/5, 151, 152.1, 167, 208,
152/209.1-209.28, 246, 450, 526, 527,
152/532, 535, 538, 541; D12/145,
D12/500-605, 900-901; D21/425-435,
D21/495
CPC B60C 11/00; B60C 2011/0337; B60C
2011/0339; B60C 2011/0386; B60C 3/00;
B60C 3/08; B60C 1/00; B60C 2200/00;
B60C 2200/02; B60C 2200/04; B60C
2200/06; B60C 2200/065; B60C 2200/08;
B60C 2200/10; B60C 2200/12; B60C
2200/14; B60C 7/00; B60C 7/02; B60C
7/04; B60C 7/06; B60C 7/08; B60C 5/00;
B60C 13/00
See application file for complete search history.

(56) **References Cited**

U.S. PATENT DOCUMENTS

- D505,383 S 5/2005 Ratliff, Jr. et al. D12/551
- D514,059 S 1/2006 Dixon D12/552

- D551,157 S 9/2007 Shondel D12/524
- D556,121 S 11/2007 Shondel D12/524
- D571,283 S 6/2008 Neidert et al. D12/524
- D574,316 S 8/2008 Neidert et al. D12/514
- D583,751 S 12/2008 Maxwell D12/546
- D584,215 S 1/2009 Shavers et al. D12/532
- D585,813 S * 2/2009 Lee D12/519
- D592,586 S 5/2009 Maxwell et al. D12/531
- D597,925 S 8/2009 Lundgren et al. D12/514
- D601,079 S 9/2009 Hughes et al. D12/521
- D601,485 S 10/2009 Hughes et al. D12/521
- D601,940 S 10/2009 Hughes et al. D12/521
- D601,941 S 10/2009 Ashton et al. D12/531
- D603,324 S * 11/2009 Woitdtk D12/519
- D619,955 S 7/2010 Ashton et al. D12/521
- D619,958 S * 7/2010 Maxwell D12/586
- D641,306 S 7/2011 Graas et al. D12/551
- D642,507 S 8/2011 Heinen et al. D12/555
- D642,508 S 8/2011 Heinen et al. D12/556
- D644,595 S 9/2011 Iwabuchi et al. D12/532
- D647,453 S * 10/2011 Nomura D12/517

(Continued)

Primary Examiner — Manpreet Matharu

Assistant Examiner — Keith Wilson

(74) *Attorney, Agent, or Firm* — Robert N. Lipsik

(57) **CLAIM**

The ornamental design for a tire, as shown and described.

DESCRIPTION

FIG. 1 is a perspective view of a tire showing my new design, it being understood that the pattern repeats uniformly throughout the circumference of the tread;

FIG. 2 is a front elevational view thereof;

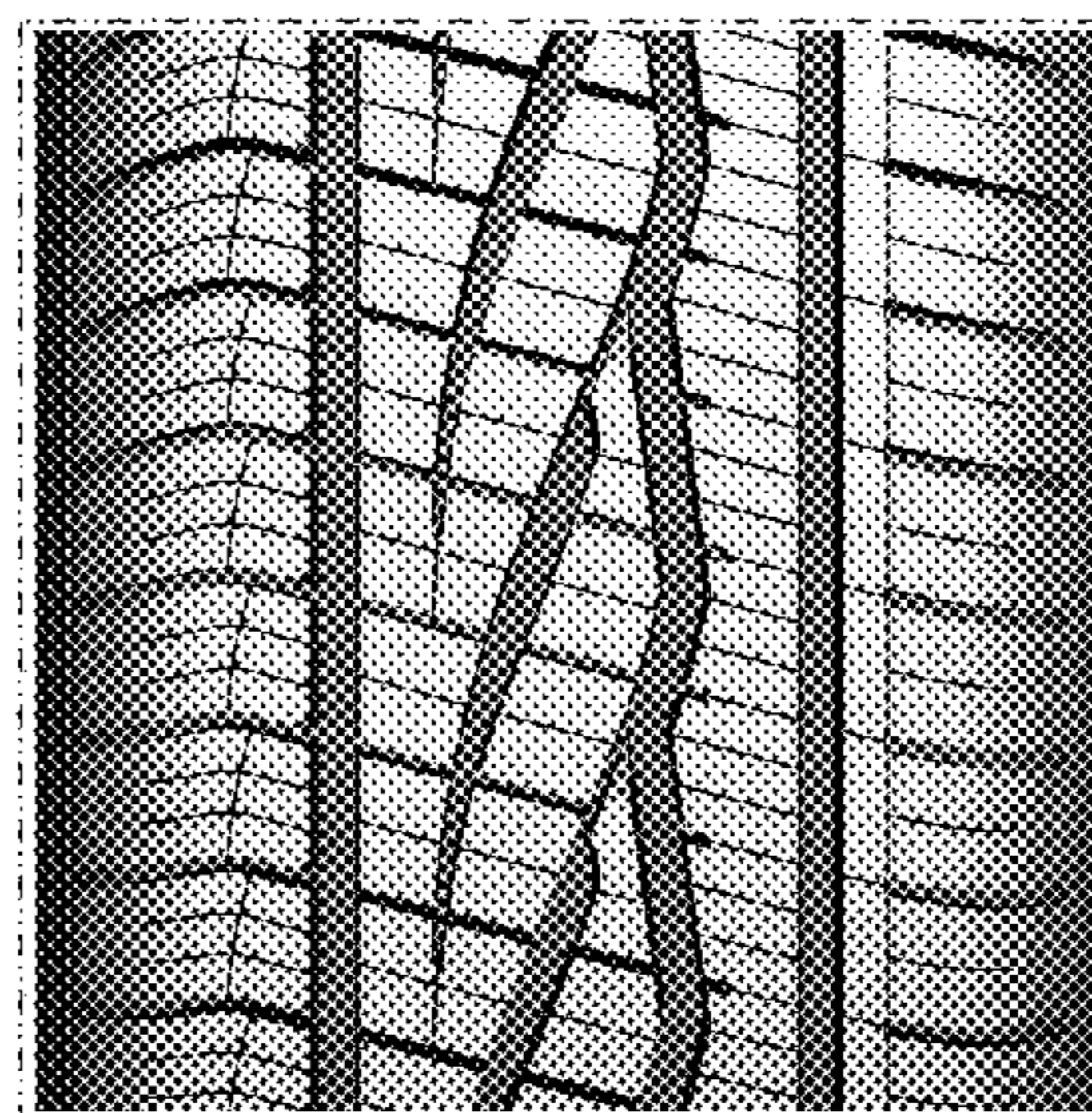
FIG. 3 is a right side elevational view thereof;

FIG. 4 is a left side elevational view thereof; and,

FIG. 5 is an enlarged fragmentary front elevational view taken from Line 5-5 of FIG. 2.

The dash dot dash represents a boundary line and forms no part of the claimed design.

1 Claim, 5 Drawing Sheets



(56)

References Cited

U.S. PATENT DOCUMENTS

D648,668	S	*	11/2011	Kujime	D12/519
D650,322	S	*	12/2011	Takahashi	D12/519
D654,848	S	*	2/2012	Yonetsu	D12/519
D663,677	S	*	7/2012	Hada	D12/523
D667,361	S		9/2012	Bindner et al.	D12/558
D679,241	S	*	4/2013	Fehl	D12/524
D683,693	S		6/2013	Dixon et al.	D12/563
D686,137	S	*	7/2013	Nakamura	D12/521
D692,822	S	*	11/2013	Nakamura	D12/521
D718,219	S	*	11/2014	Berzins	D12/516
D720,282	S	*	12/2014	Kim	D12/521
D730,809	S	*	6/2015	Bonifas	D12/523
D733,635	S	*	7/2015	Digman	D12/521
D737,752	S	*	9/2015	Shondel	D12/521
D741,785	S	*	10/2015	Lamb	D12/531
D743,875	S		11/2015	Shondel	D12/532
D743,876	S		11/2015	Dixon	D12/532
D755,111	S	*	5/2016	Yang	D12/521
D758,957	S	*	6/2016	Kuriyama	D12/586
D761,716	S	*	7/2016	Albouy	D12/518
D761,717	S	*	7/2016	Fu	D12/521
D765,019	S	*	8/2016	Chen	D12/523
D768,054	S	*	10/2016	Wang	D12/523
D768,055	S	*	10/2016	Wang	D12/528
D768,558	S	*	10/2016	Schimmoeller	D12/521
2014/0090759	A1	*	4/2014	Tanaka	B60C 11/0306 152/209.8

* cited by examiner



FIG - 1

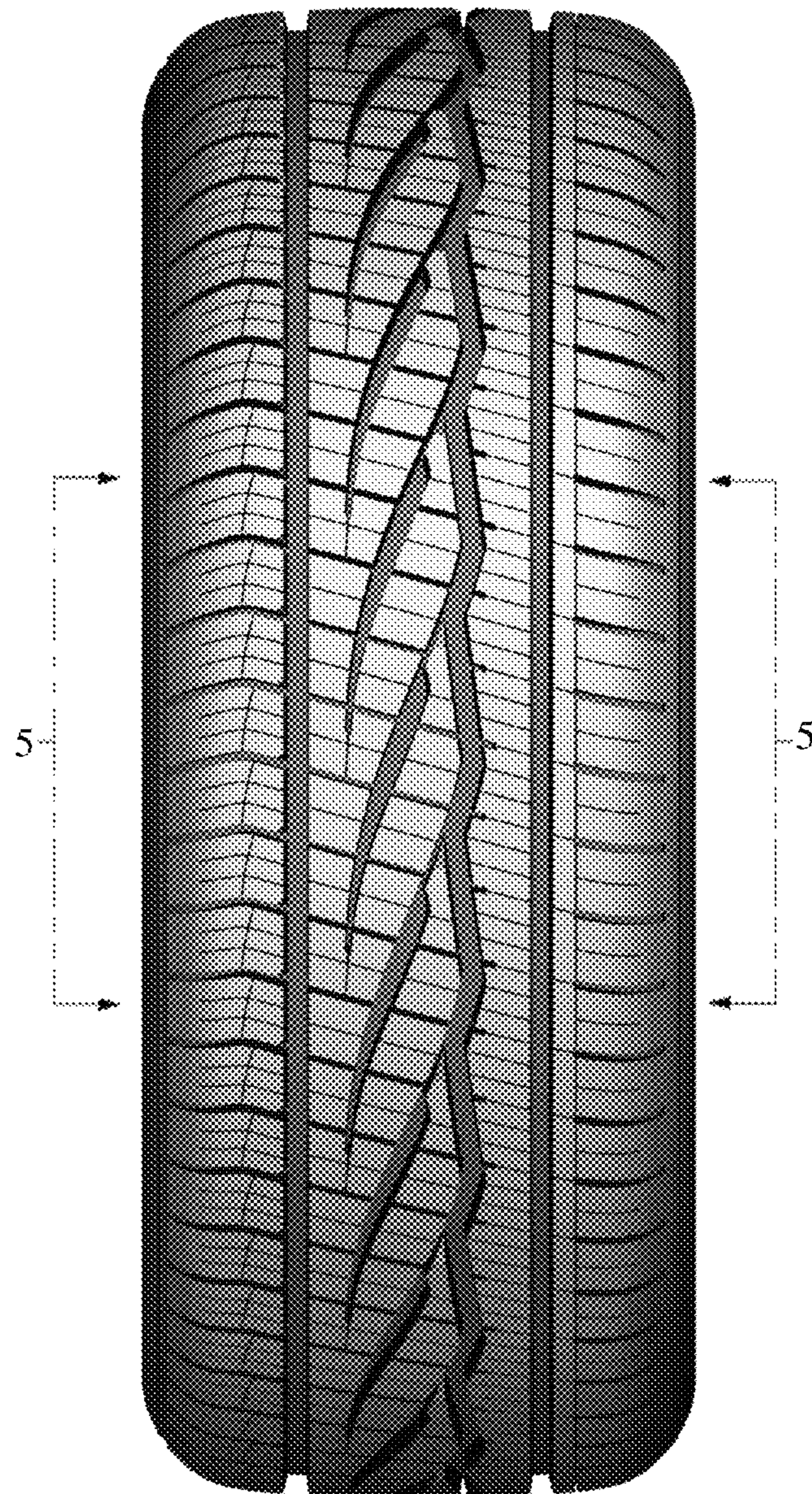


FIG - 2



FIG - 3



FIG - 4

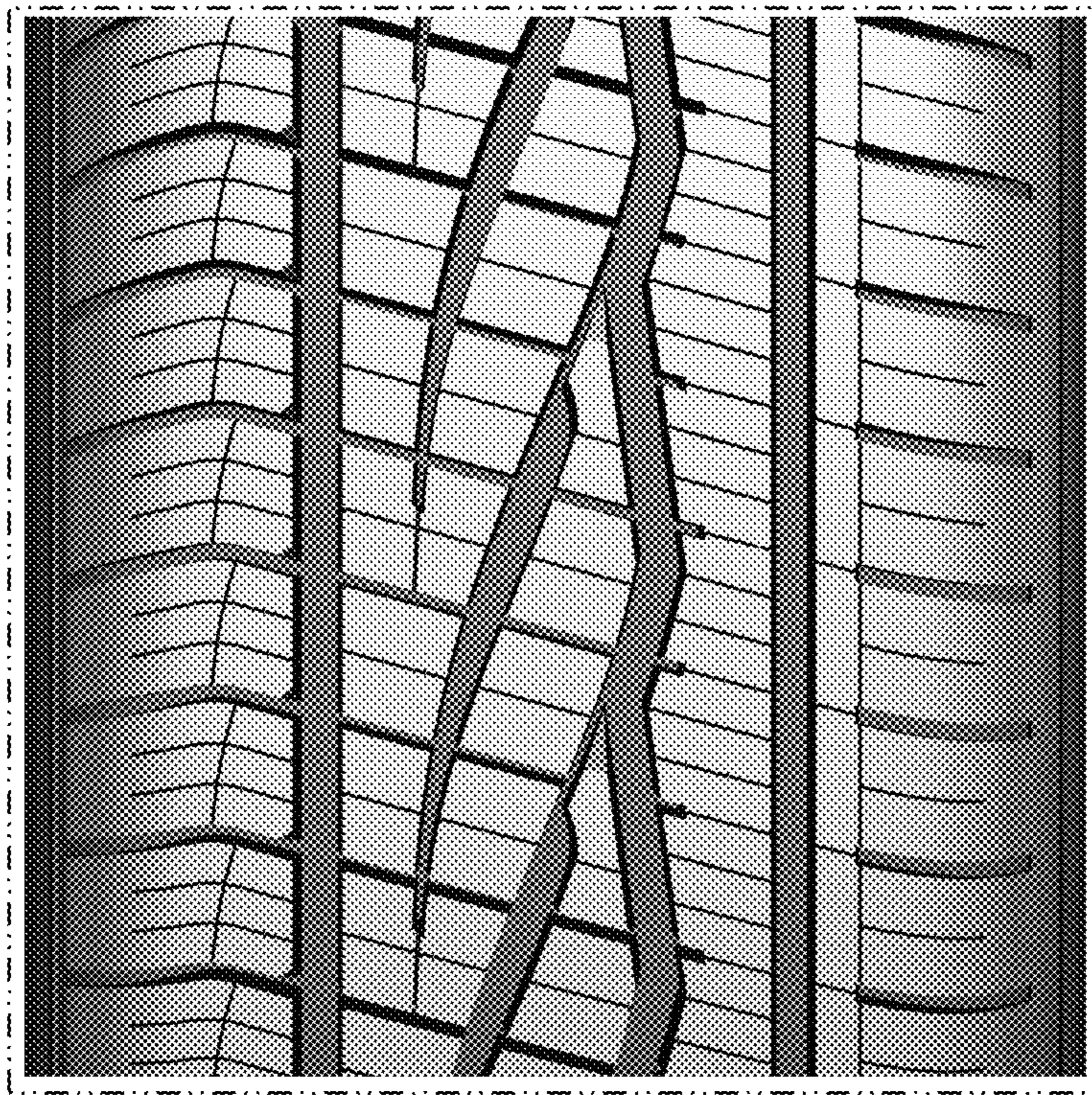


FIG - 5