



US00D789869S

(12) **United States Design Patent**
Richardson, II

(10) **Patent No.:** **US D789,869 S**
(45) **Date of Patent:** **** Jun. 20, 2017**

(54) **CAR SEAT CLIP**

(71) Applicant: **William Richardson, II**, Charleston,
SC (US)

(72) Inventor: **William Richardson, II**, Charleston,
SC (US)

(**) Term: **15 Years**

(21) Appl. No.: **29/555,070**

(22) Filed: **Feb. 18, 2016**

(51) **LOC (10) Cl.** **12-16**

(52) **U.S. Cl.**
USPC **D12/415**

(58) **Field of Classification Search**
USPC D12/415, 416-420, 400, 191, 106, 195,
D12/192, 345, 96, 99
CPC B60R 2011/0012
See application file for complete search history.

(56) **References Cited**

U.S. PATENT DOCUMENTS

D652,907 S * 1/2012 Andrews D23/393
D676,371 S * 2/2013 Son D12/415
D716,215 S * 10/2014 Dunn D12/415
D726,640 S * 4/2015 Frey D12/415

9,132,779 B2 * 9/2015 Azadi B60R 11/04
9,283,900 B2 * 3/2016 DeLine B60Q 3/023
D765,016 S * 8/2016 Azadi D12/415
D765,580 S * 9/2016 Pumphrey D12/415
D767,556 S * 9/2016 Lee D12/415
D772,784 S * 11/2016 Higgins D12/415
D778,714 S * 2/2017 McSweyn D12/415
2015/0183381 A1 * 7/2015 Earley B60R 11/0252
224/275
2016/0297373 A1 * 10/2016 Wehr A62C 13/78

* cited by examiner

Primary Examiner — Katrina A Betton

(74) *Attorney, Agent, or Firm* — Gregory Finch

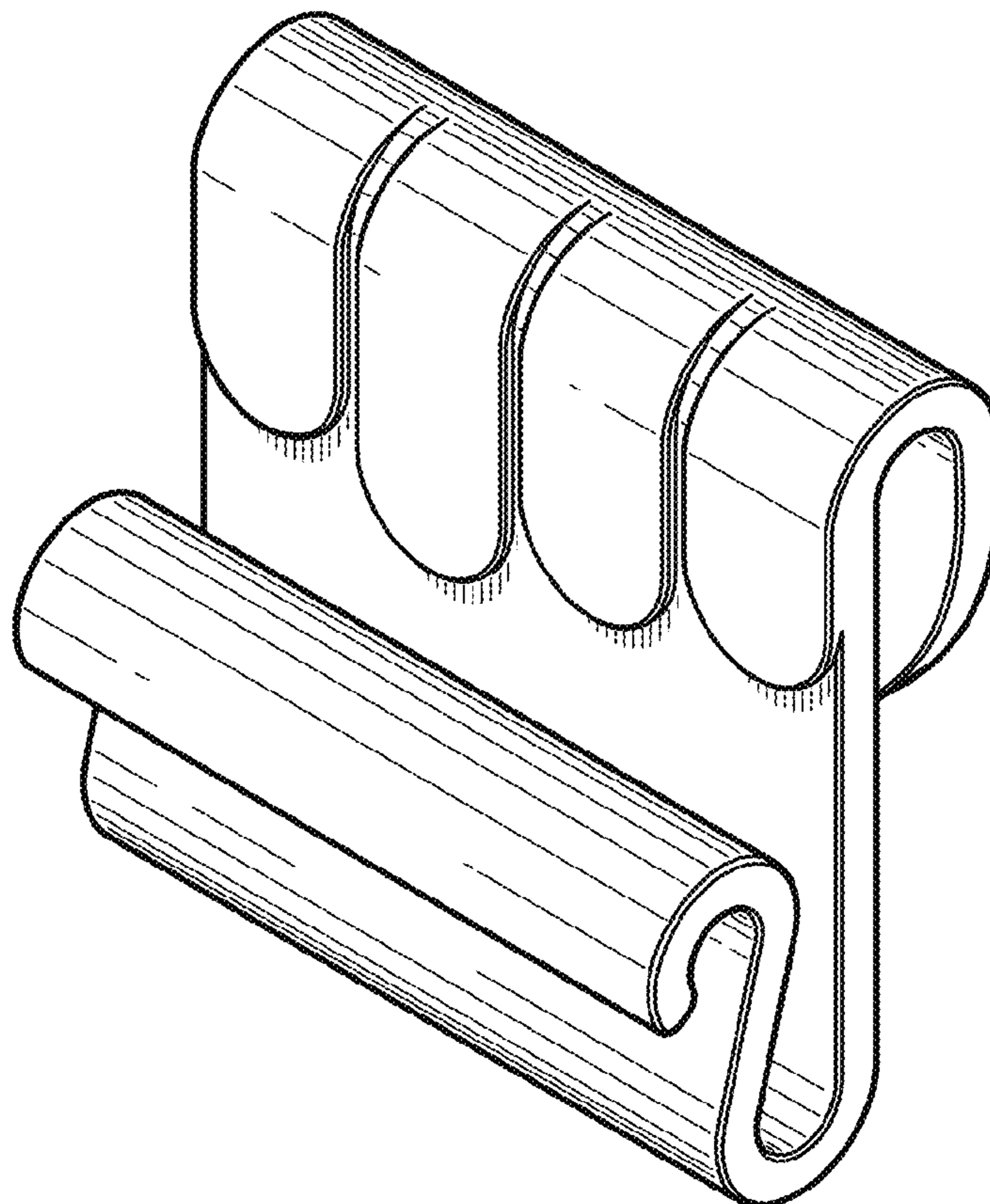
(57) **CLAIM**

The ornamental design for a car seat clip, as shown and described.

DESCRIPTION

FIG. 1 is an isometric view of the car seat clip embodying the present ornamental design;
FIG. 2 is left side view thereof;
FIG. 3 is a right side view thereof;
FIG. 4 is a front view thereof;
FIG. 5 is a top plan view thereof;
FIG. 6 is a rear view thereof; and,
FIG. 7 is a bottom plan view thereof.
The shading in the drawings represents texture and forms no part of the claimed design.

1 Claim, 2 Drawing Sheets



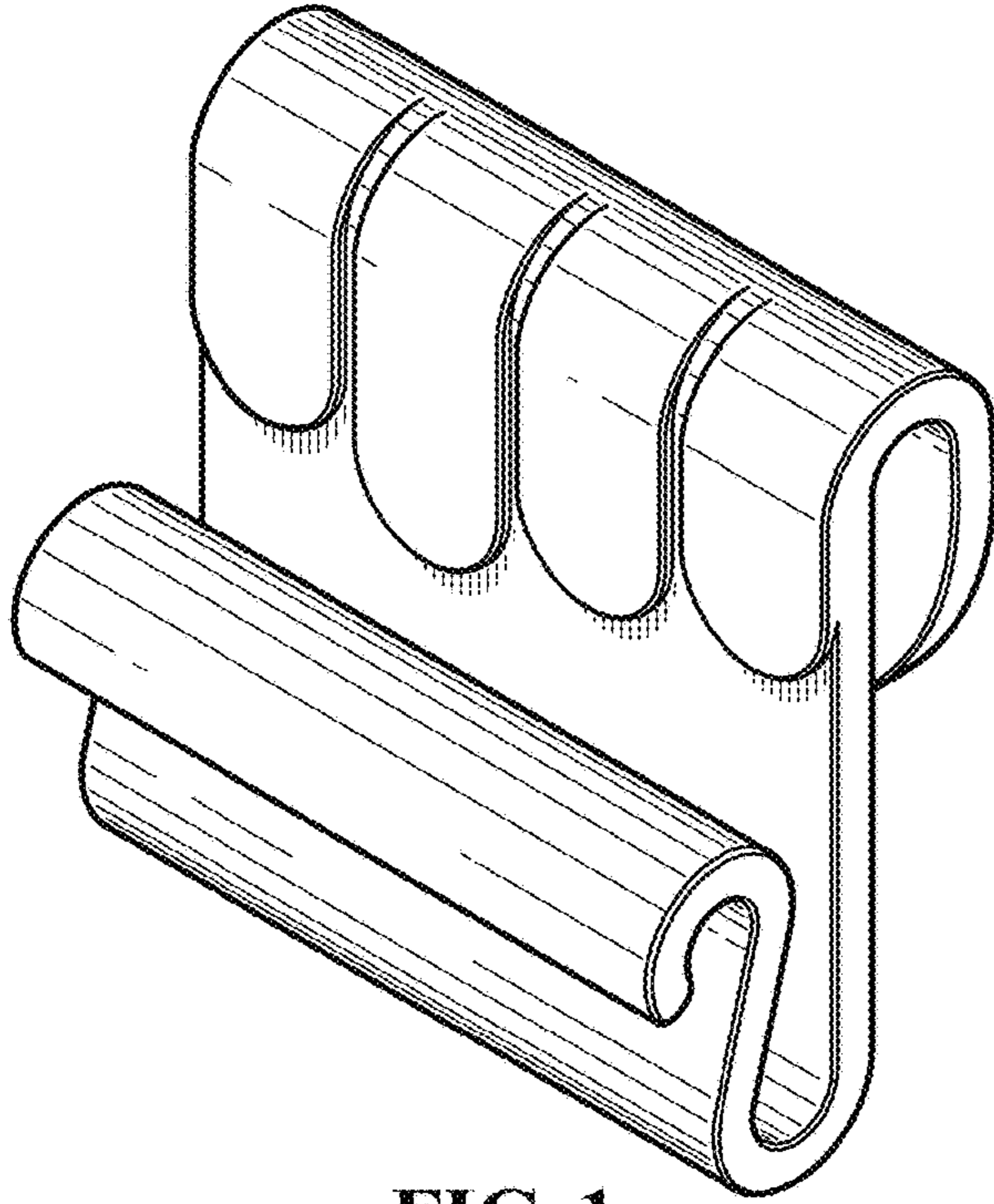


FIG. 1

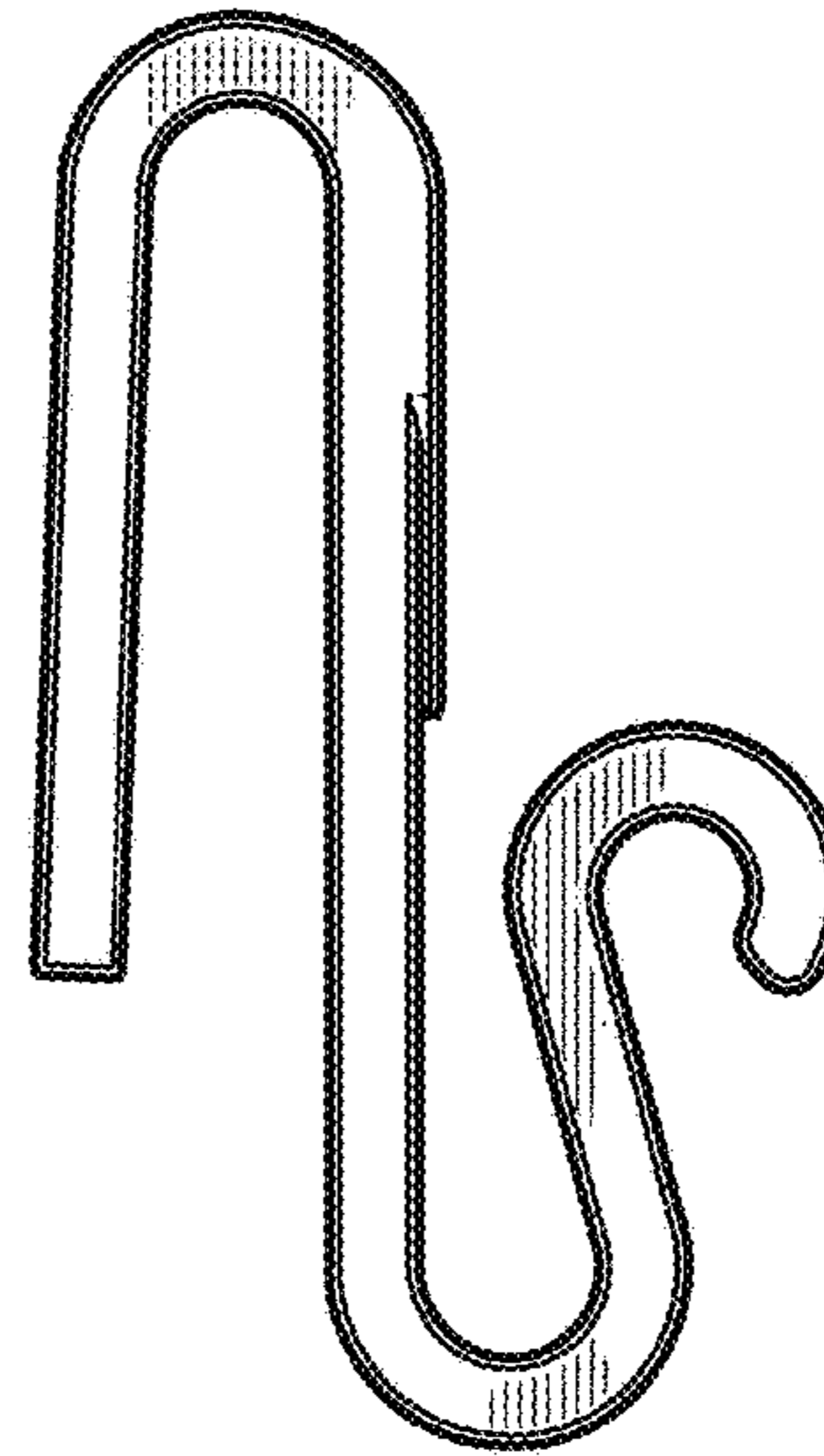


FIG. 2

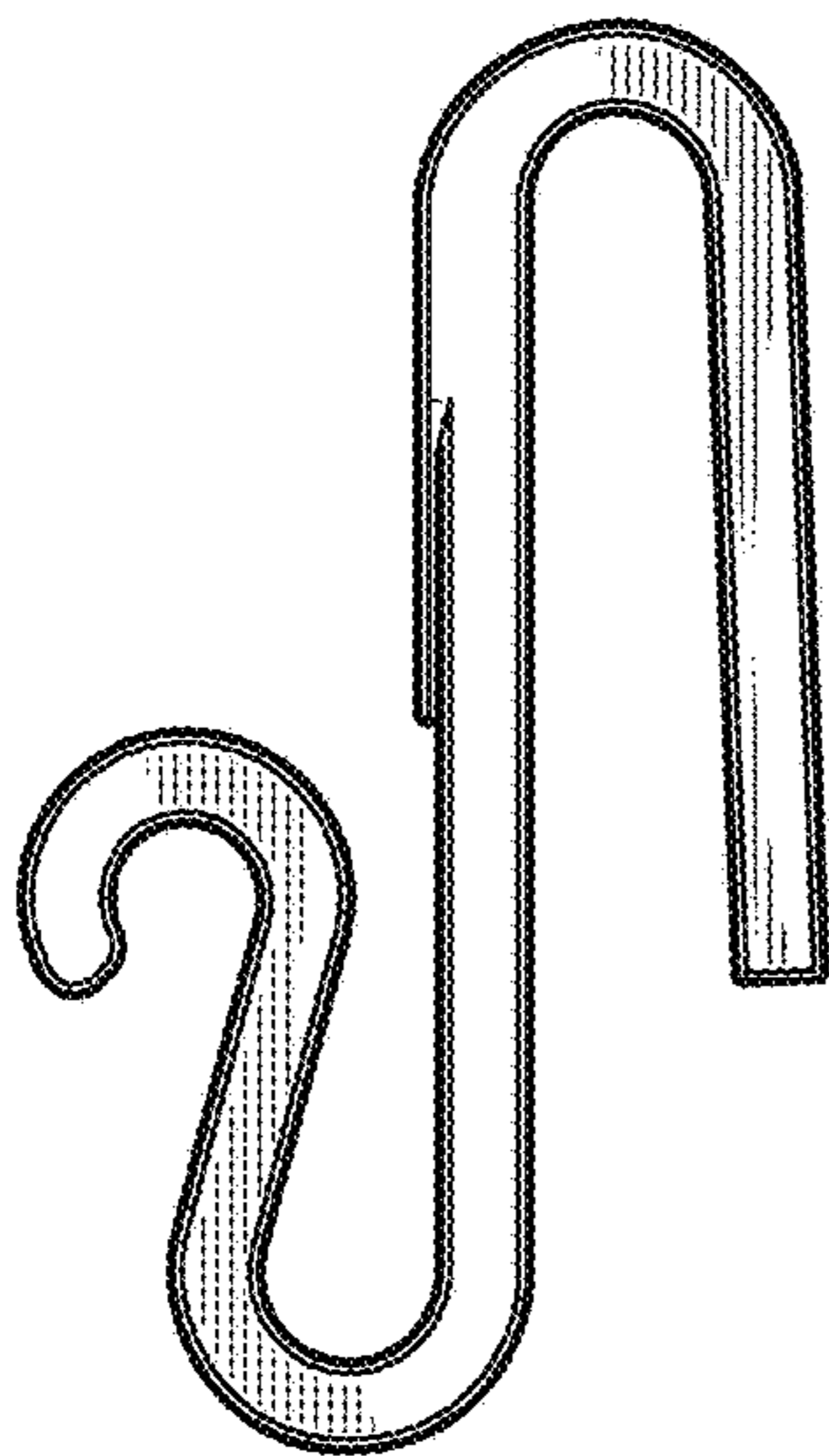


FIG. 3

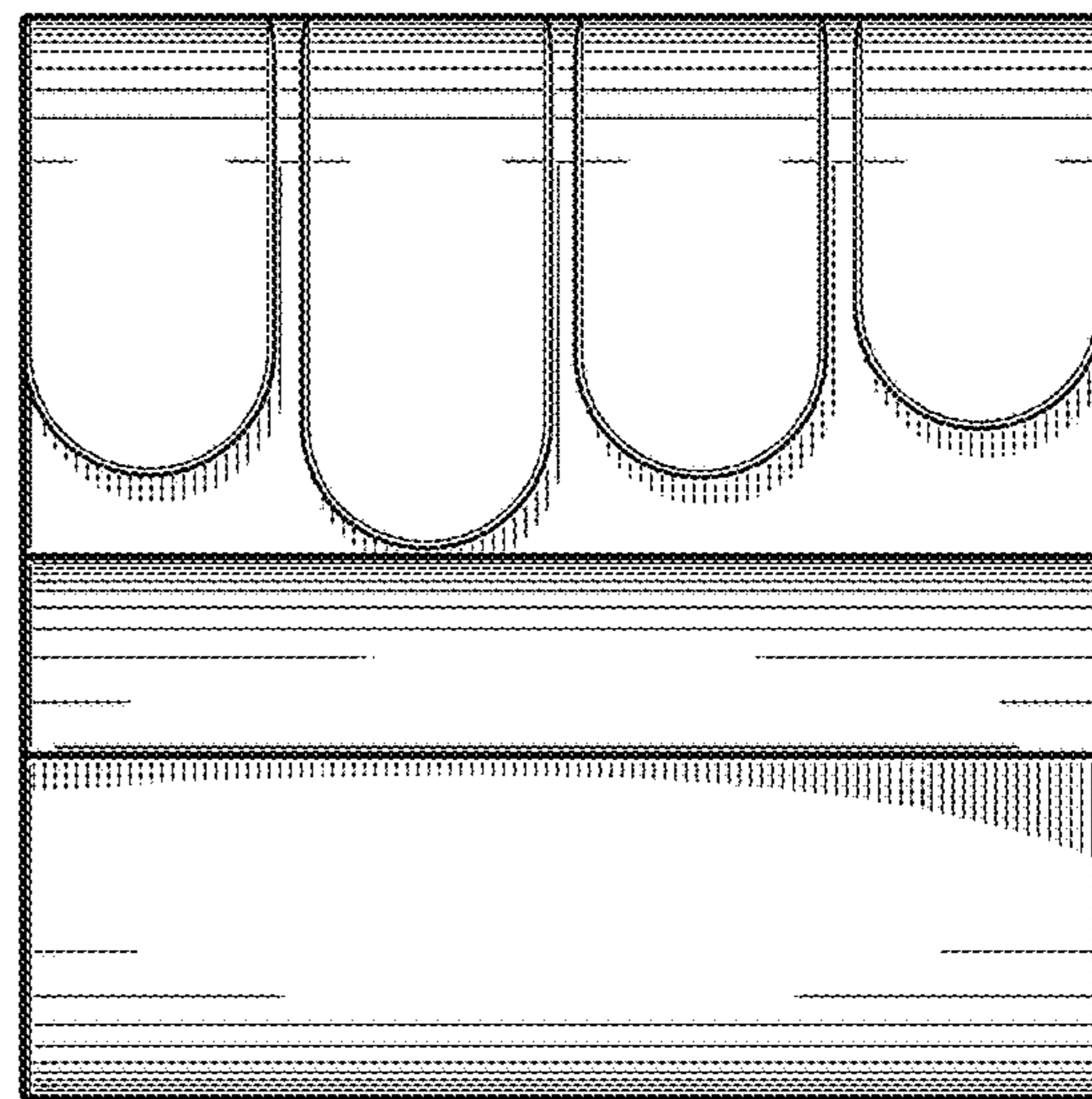


FIG. 4

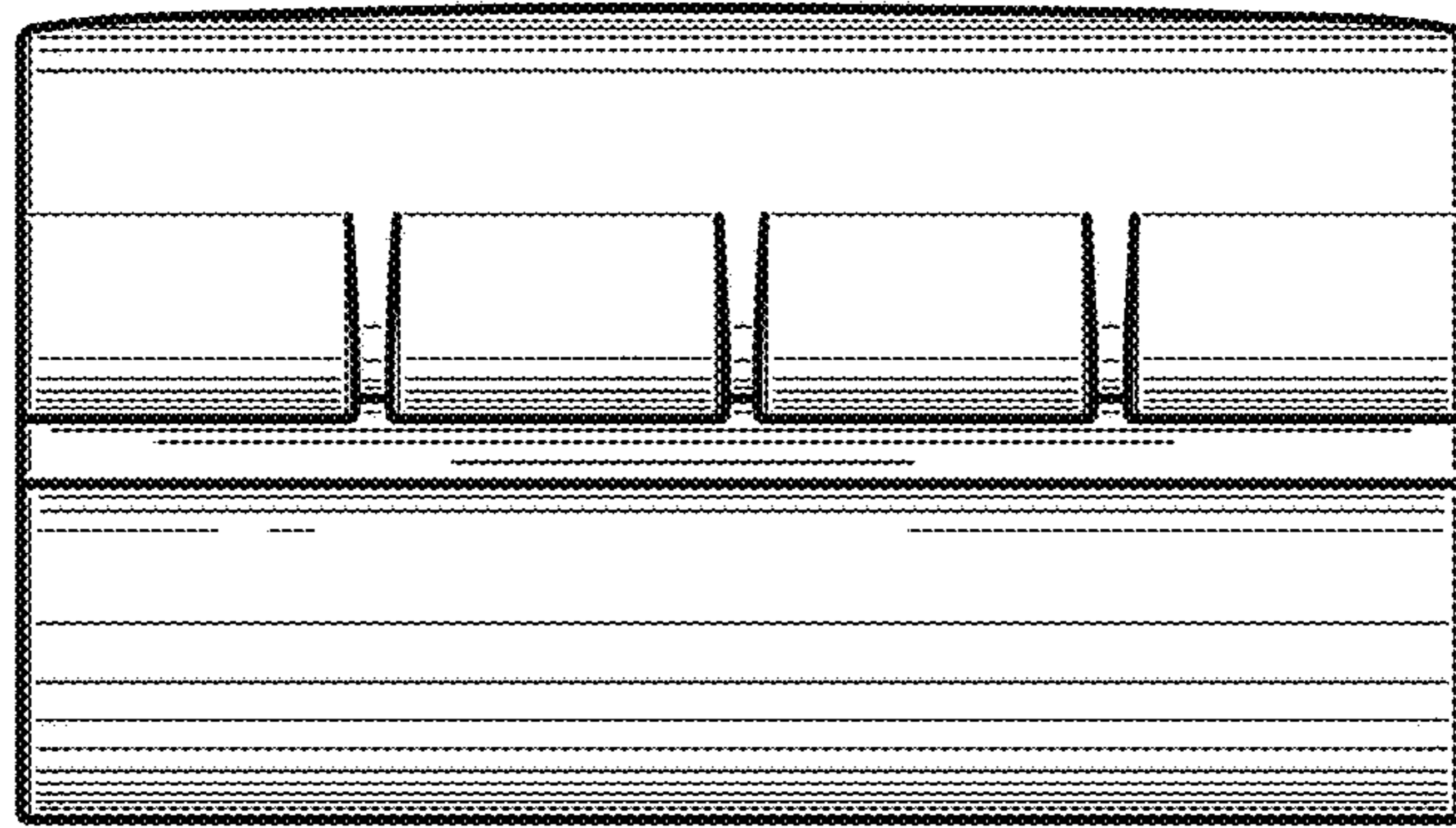


FIG. 5

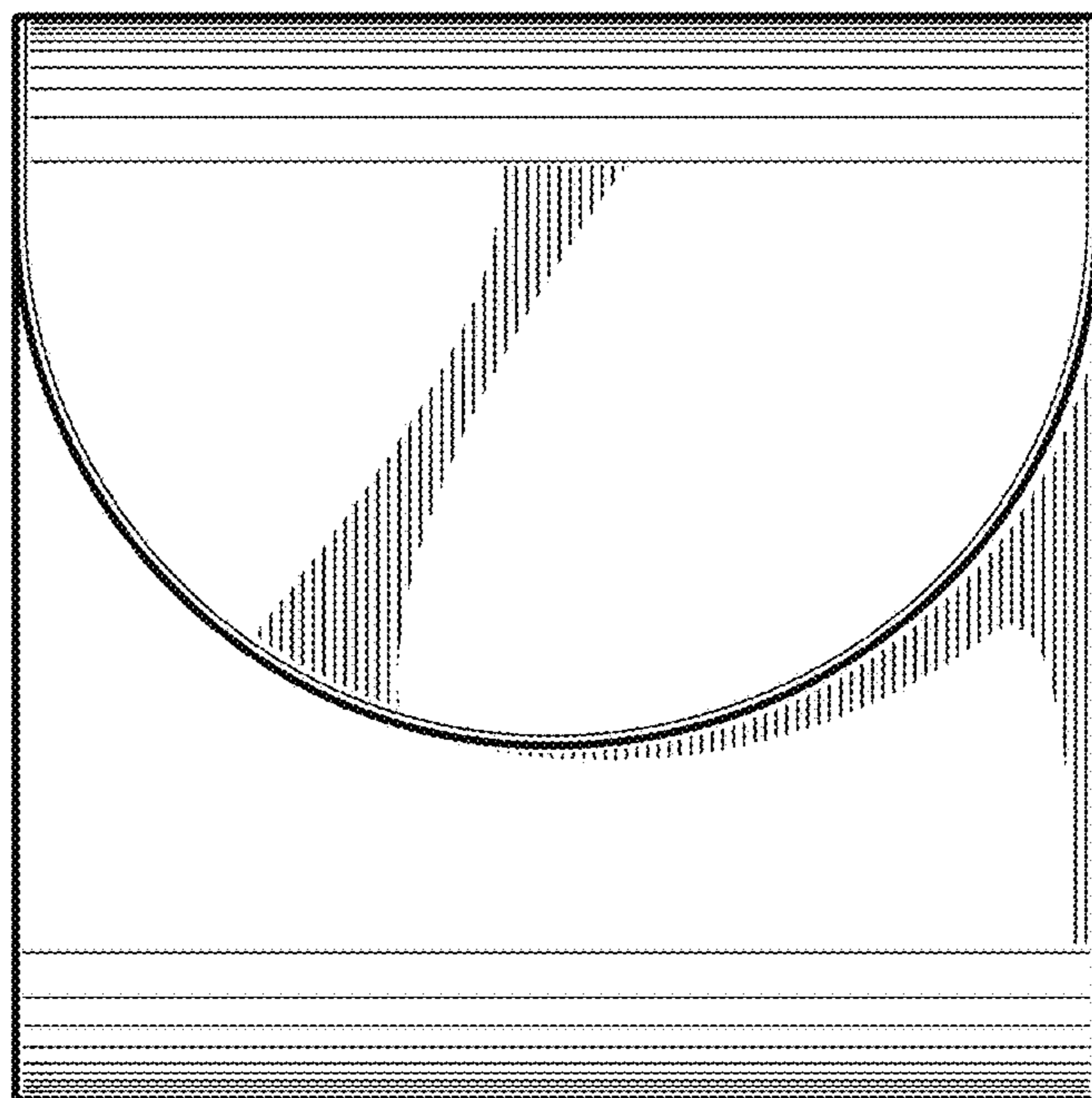


FIG. 6

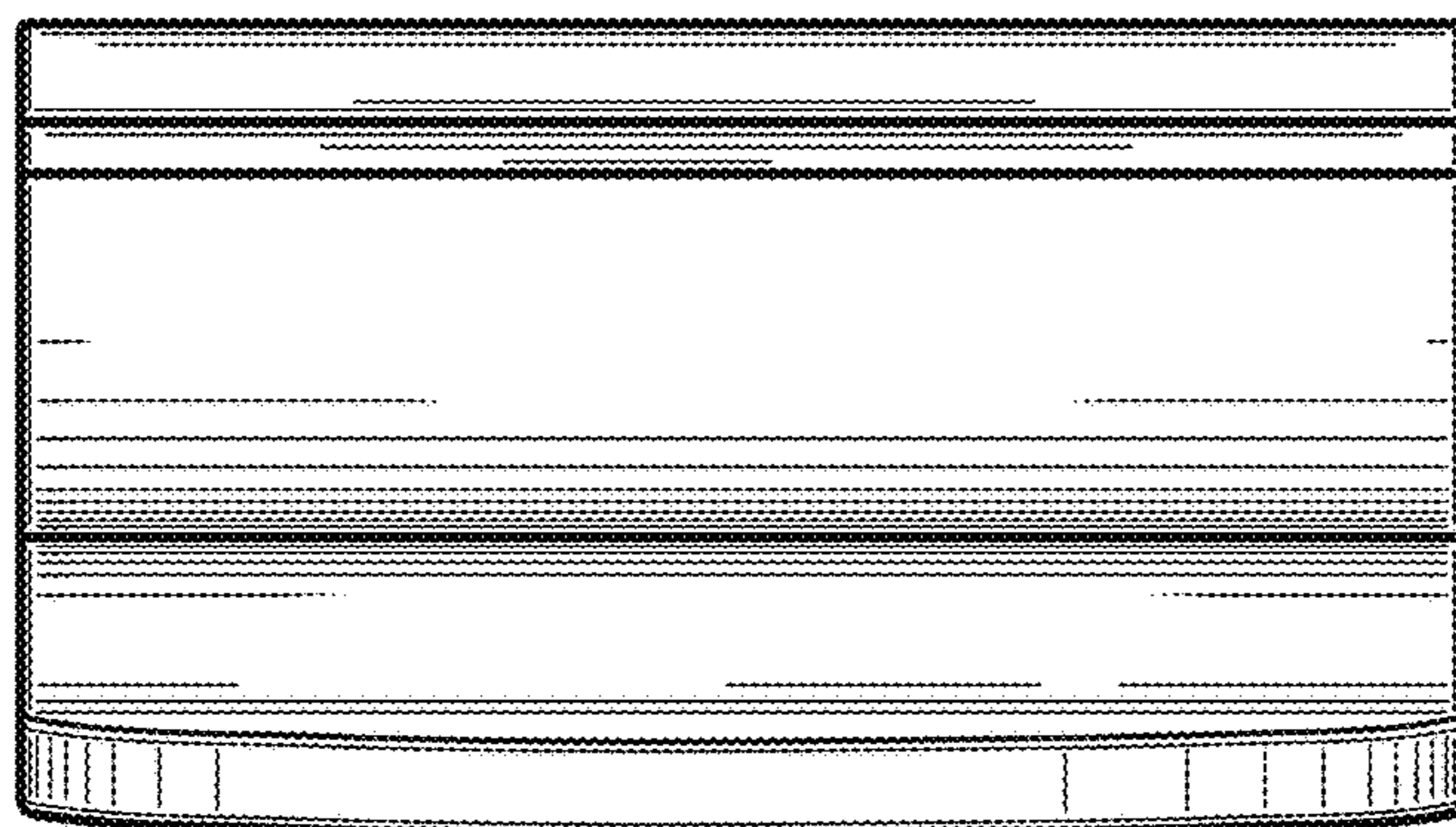


FIG. 7