



US00D789868S

(12) **United States Design Patent** (10) **Patent No.:** **US D789,868 S**  
**Enz** (45) **Date of Patent:** **\*\* Jun. 20, 2017**

(54) **MARKER LIGHT LENS**

(71) Applicant: **Lang-Mekra North America, LLC**,  
Ridgeway, SC (US)

(72) Inventor: **Andreas Enz**, Columbia, SC (US)

(73) Assignee: **Lang-Mekra North America, LLC**,  
Ridgeway, SC (US)

(\*\*) Term: **15 Years**

(21) Appl. No.: **29/528,318**

(22) Filed: **May 28, 2015**

(51) **LOC (10) Cl.** ..... **12-16**

(52) **U.S. Cl.**  
USPC ..... **D12/400**

(58) **Field of Classification Search**

USPC ..... D12/107, 110, 114, 115, 117, 126, 400,  
D12/401, 404, 415, 423; D25/48.1, 48.3;  
D4/138; D7/682; D8/14, 45, 46, 47, 90,  
D8/98, 101, 105; D32/42, 46, 49

CPC . B60R 1/025; B60R 1/08; B62H 5/001; B62J  
9/006; B65D 43/16; B65D 43/22; B65D  
55/02; F21S 48/00; G01S 13/931; B05C  
17/0205; B25B 13/48; B25G 1/04; B25G  
3/26; A45B 9/02

See application file for complete search history.

(56) **References Cited**

**U.S. PATENT DOCUMENTS**

D388,043 S *	12/1997	Elwell .....	D12/100
5,786,772 A *	7/1998	Schofield .....	B60R 1/12
			180/167
D416,569 S *	11/1999	Green .....	D16/201
D428,382 S *	7/2000	Hall .....	D12/401
D466,455 S	12/2002	Kidd et al.	
D492,922 S *	7/2004	Numata .....	D12/196
D494,535 S *	8/2004	McCoy .....	D12/423
D511,731 S *	11/2005	Lariviere .....	D12/196
D513,724 S	1/2006	Stenzel et al.	

(Continued)

**OTHER PUBLICATIONS**

Replacement Side Marker Light Lens, image post date 2012, site visited Feb. 9, 2017, (online), <<https://www.carid.com/2012-fiat-500-signal-lights/replace-factory-signal-lights-44815416.html>>.\*

(Continued)

*Primary Examiner* — Kevin Rudzinski

*Assistant Examiner* — Sean D Lough

(74) *Attorney, Agent, or Firm* — McNair Law Firm, P.A.;  
Seann P. Lahey

(57) **CLAIM**

The ornamental design for a marker light lens, as shown and described.

**DESCRIPTION**

FIG. 1 is a left side front perspective view of the marker light lens design;

FIG. 2 is a right side front perspective view of the marker light lens design;

FIG. 3 is a right side rear perspective view of the marker light lens design;

FIG. 4 is a left side rear perspective view of the marker light lens design;

FIG. 5 is a front plan view of the marker light lens design;

FIG. 6 is a rear plan view of the marker light lens design;

FIG. 7 is a left side elevation view of the marker light lens design;

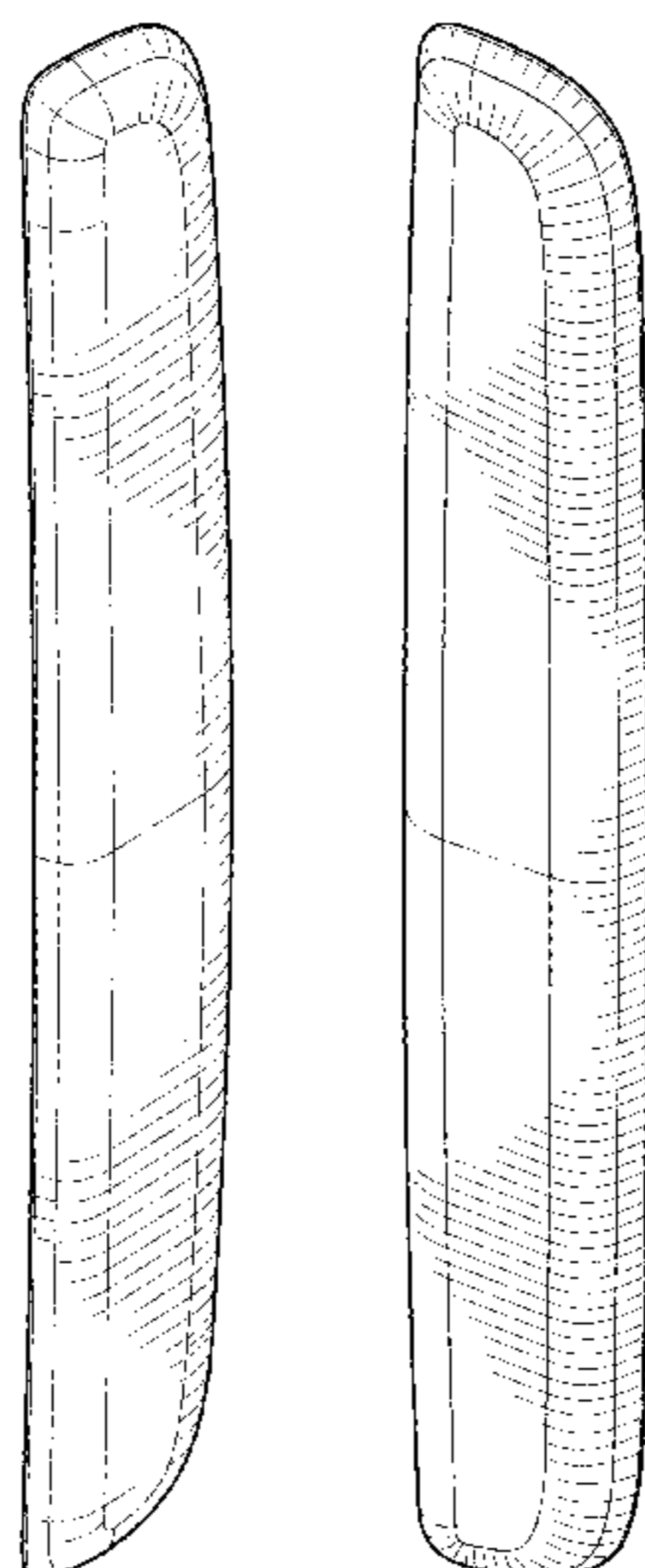
FIG. 8 is a right side elevation view of the marker light lens design;

FIG. 9 is a top end plan view of the marker light lens design;

and,  
FIG. 10 is a bottom end plan view of the marker light lens design.

In the drawings, the broken line disclosures depicting attachment prongs form no part of the claimed design.

**1 Claim, 4 Drawing Sheets**



(56)

References Cited

U.S. PATENT DOCUMENTS

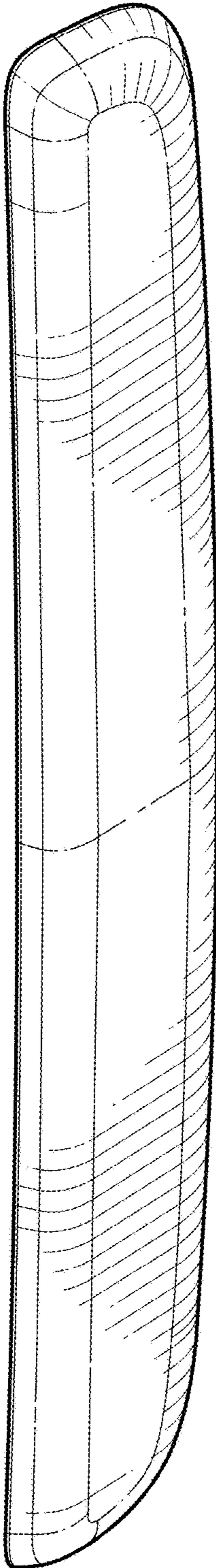
D545,741 S 7/2007 Branham  
 D546,365 S \* 7/2007 Jost ..... D12/400  
 D549,626 S \* 8/2007 Elwell ..... D12/191  
 D553,961 S \* 10/2007 Sato ..... D8/373  
 D555,572 S \* 11/2007 Harrell ..... D12/401  
 D575,708 S 8/2008 Courbon et al.  
 D578,942 S 10/2008 Courbon et al.  
 D581,334 S 11/2008 Courbon et al.  
 D600,185 S \* 9/2009 Habib ..... D12/190  
 D600,617 S \* 9/2009 Scoley ..... D12/345  
 D609,618 S 2/2010 Chen  
 D610,060 S 2/2010 Meier et al.  
 D610,513 S 2/2010 Lang et al.  
 D630,156 S \* 1/2011 Farber ..... D12/413  
 D630,157 S \* 1/2011 Farber ..... D12/413  
 D633,019 S \* 2/2011 De Wind ..... D12/187  
 D636,308 S 4/2011 Reimchen et al.  
 D656,434 S \* 3/2012 Roller ..... D12/106  
 8,331,038 B1 \* 12/2012 Snow ..... B60R 1/08  
 359/727  
 D686,126 S 7/2013 Balicki et al.  
 D699,652 S 2/2014 Futschik et al.  
 D702,608 S 4/2014 Hall et al.  
 D702,610 S 4/2014 Hall et al.  
 8,702,254 B1 \* 4/2014 Englander ..... B60R 1/08  
 359/872  
 D708,101 S \* 7/2014 Hodges ..... D12/181  
 D717,704 S 11/2014 Petroff et al.

D717,705 S 11/2014 Petroff et al.  
 D726,610 S 4/2015 Gong et al.  
 D730,254 S 5/2015 Glover et al.  
 D741,762 S 10/2015 Song  
 D741,780 S \* 10/2015 Lee ..... D12/415  
 D743,852 S \* 11/2015 Rouzaud ..... D12/167  
 D753,562 S \* 4/2016 Wolff ..... D12/169  
 D764,358 S \* 8/2016 Hinsey ..... D12/114  
 D769,179 S \* 10/2016 Demos ..... D12/416  
 D769,621 S \* 10/2016 Hissong ..... D3/303  
 D770,962 S \* 11/2016 Badillo ..... D12/223  
 D777,061 S \* 1/2017 Lindloff ..... D12/114  
 D777,357 S \* 1/2017 Knoedle-Bunte ..... D26/28  
 2009/0046346 A1 \* 2/2009 Finlayson ..... B60R 1/08  
 359/275  
 2012/0092497 A1 \* 4/2012 Hoetzer ..... B60R 1/04  
 348/148  
 2016/0033621 A1 \* 2/2016 Ottenhues ..... G01S 7/032  
 342/175  
 2016/0121795 A1 \* 5/2016 Smith ..... B60R 1/025  
 359/843

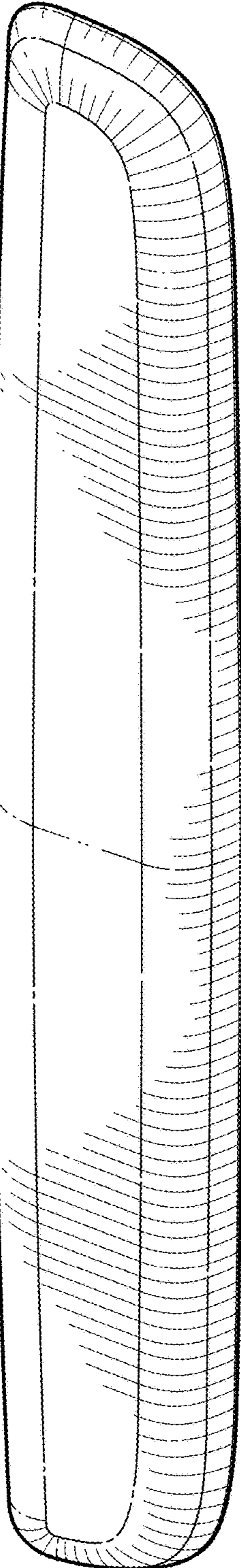
OTHER PUBLICATIONS

Porsche 928 Front Side Marker Light Lens Assembly Passenger  
 Right Side OEM, image post date 1980, site visited Feb. 9, 2017,  
 (online), <<http://www.ebay.com/itm/282025306242?rmvSB=true>>.\*

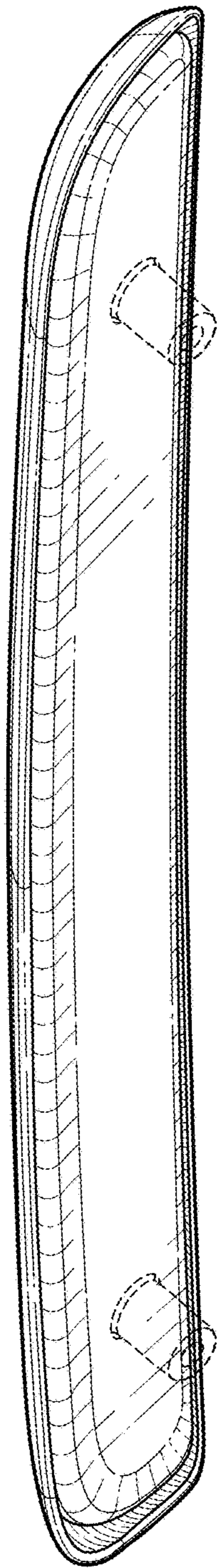
\* cited by examiner



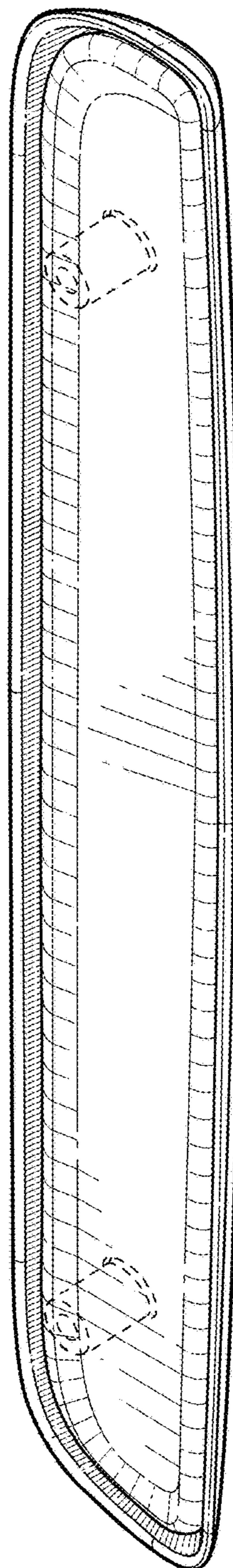
*Fig. 1*



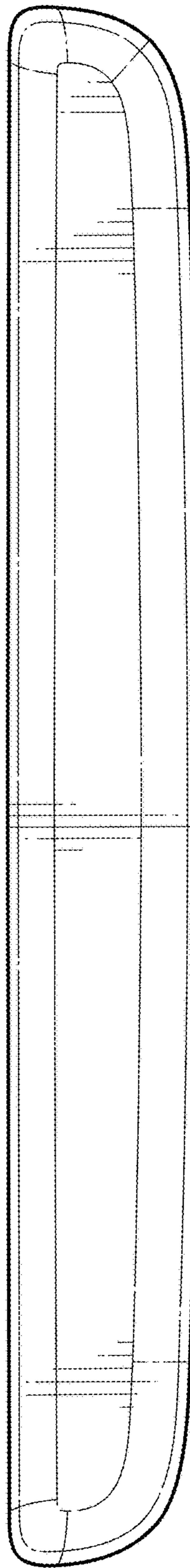
*Fig. 2*



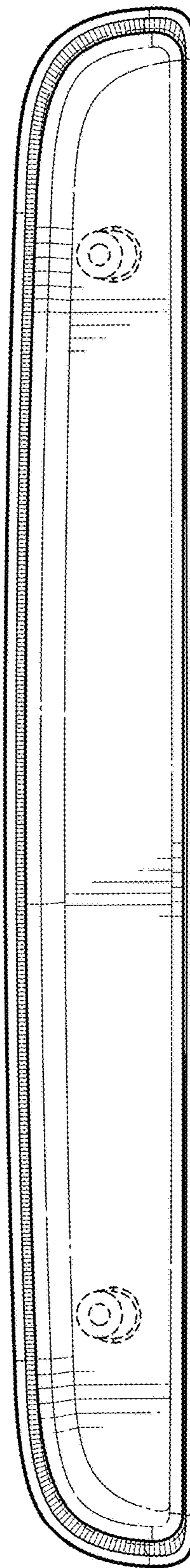
*Fig. 3*



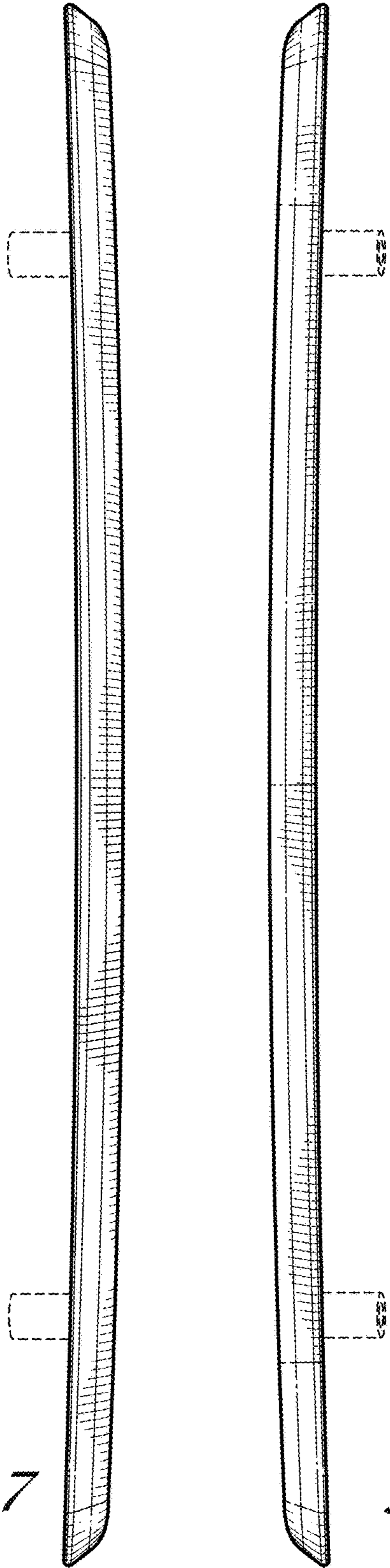
*Fig. 4*



*Fig. 5*

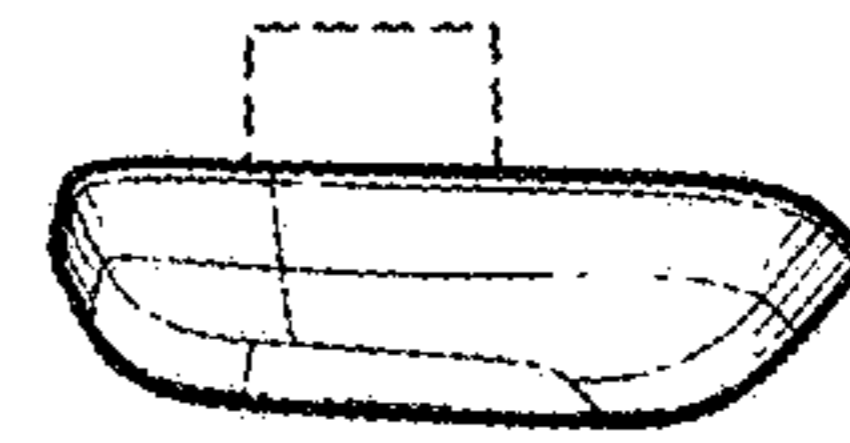


*Fig. 6*

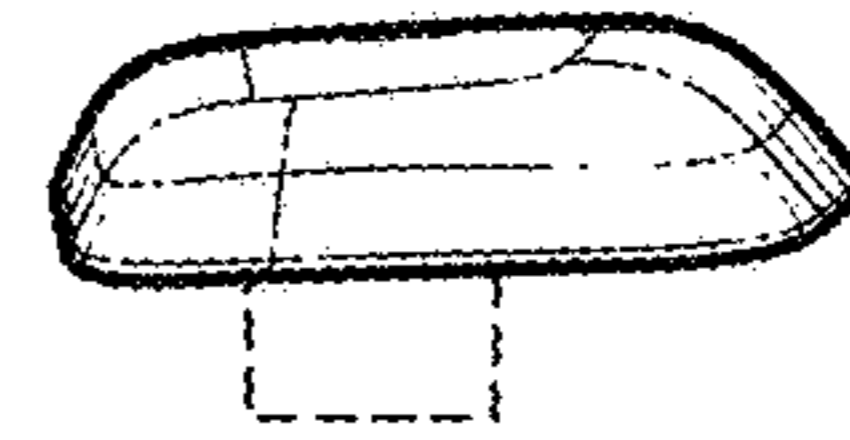


*Fig. 7*

*Fig. 8*



*Fig. 9*



*Fig. 10*