



US00D789866S

(12) **United States Design Patent**  
**Giolito**

(10) **Patent No.:** **US D789,866 S**

(45) **Date of Patent:** **\*\* Jun. 20, 2017**

(54) **WHEEL**

(71) Applicant: **FCA Italy S.p.A.**, Turin (IT)

(72) Inventor: **Roberto Giolito**, Turin (IT)

(73) Assignee: **FCA ITALY S.p.A.**, Turin (IT)

(\*\*) Term: **15 Years**

(21) Appl. No.: **29/544,871**

(22) Filed: **Nov. 6, 2015**

(30) **Foreign Application Priority Data**

May 21, 2015 (EM) ..... 002704932

(51) **LOC (10) Cl.** ..... **12-16**

(52) **U.S. Cl.**  
USPC ..... **D12/211**

(58) **Field of Classification Search**  
USPC ..... D12/204–213  
CPC .... B60B 7/00; B60B 7/01; B60B 7/02; B60B  
7/04; B60B 7/06; B60B 3/02; B60B 3/04;  
B60B 3/06; B60B 3/10; B60B 1/00;  
B60B 1/08; B60B 1/10; B60B 1/12  
See application file for complete search history.

(56) **References Cited**

**U.S. PATENT DOCUMENTS**

D398,277 S	*	9/1998	Neeper	.....	D12/209
D436,572 S	*	1/2001	Brown	.....	D12/209
D450,288 S	*	11/2001	Lee	.....	D12/209
D464,009 S	*	10/2002	Laengerer	.....	D12/211
D473,506 S	*	4/2003	Laengerer	.....	D12/211

D508,007 S	*	8/2005	Koch	.....	D12/211
D604,683 S	*	11/2009	Hosai	.....	D12/209
D620,871 S	*	8/2010	Juergens	.....	D12/211
D625,675 S	*	10/2010	Juergens	.....	D12/209
D639,225 S	*	6/2011	Forschner	.....	D12/211
D669,010 S	*	10/2012	Nakano	.....	D12/211
D671,877 S	*	12/2012	Roura	.....	D12/209
D672,303 S	*	12/2012	Roura	.....	D12/209
D673,494 S	*	1/2013	Lemke	.....	D12/209
D684,516 S	*	6/2013	Bennion	.....	D12/209
D738,281 S	*	9/2015	Watkin	.....	D12/211
D763,157 S	*	8/2016	Kong	.....	D12/209

\* cited by examiner

*Primary Examiner* — Sandra Snapp

*Assistant Examiner* — Katherine Glennon

(74) *Attorney, Agent, or Firm* — Cowan, Liebowitz & Latman, P.C.

(57) **CLAIM**

The ornamental design for a wheel, as shown and described.

**DESCRIPTION**

FIG. 1 is a perspective view of the wheel showing my design thereof;

FIG. 2 is a front view thereof;

FIG. 3 is rear view thereof;

FIG. 4 is a right side view thereof;

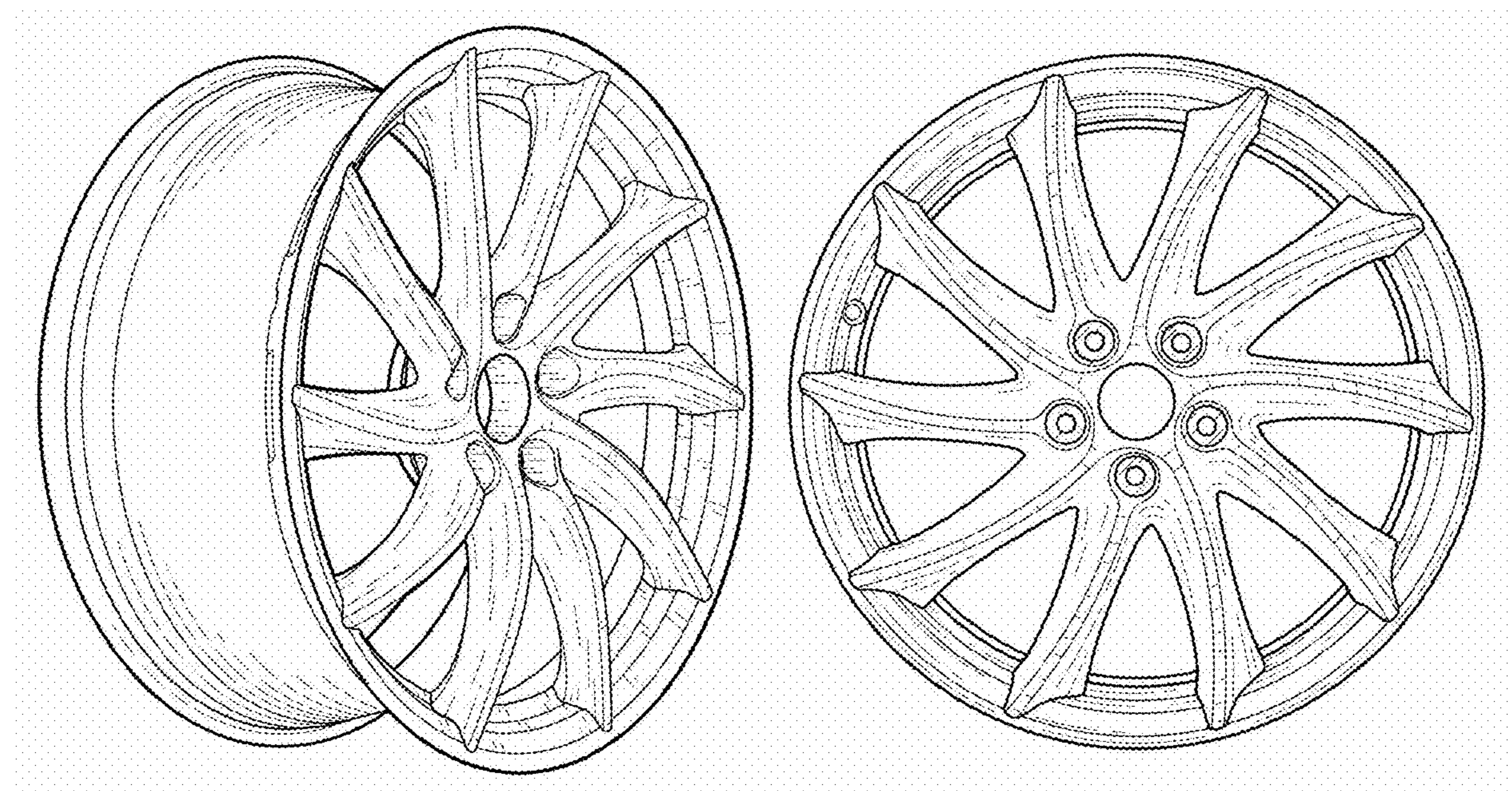
FIG. 5 is a left side view thereof;

FIG. 6 is a top view thereof; and,

FIG. 7 is a bottom view thereof.

Portions of the drawings shown in broken lines form no part of the claimed design.

**1 Claim, 7 Drawing Sheets**



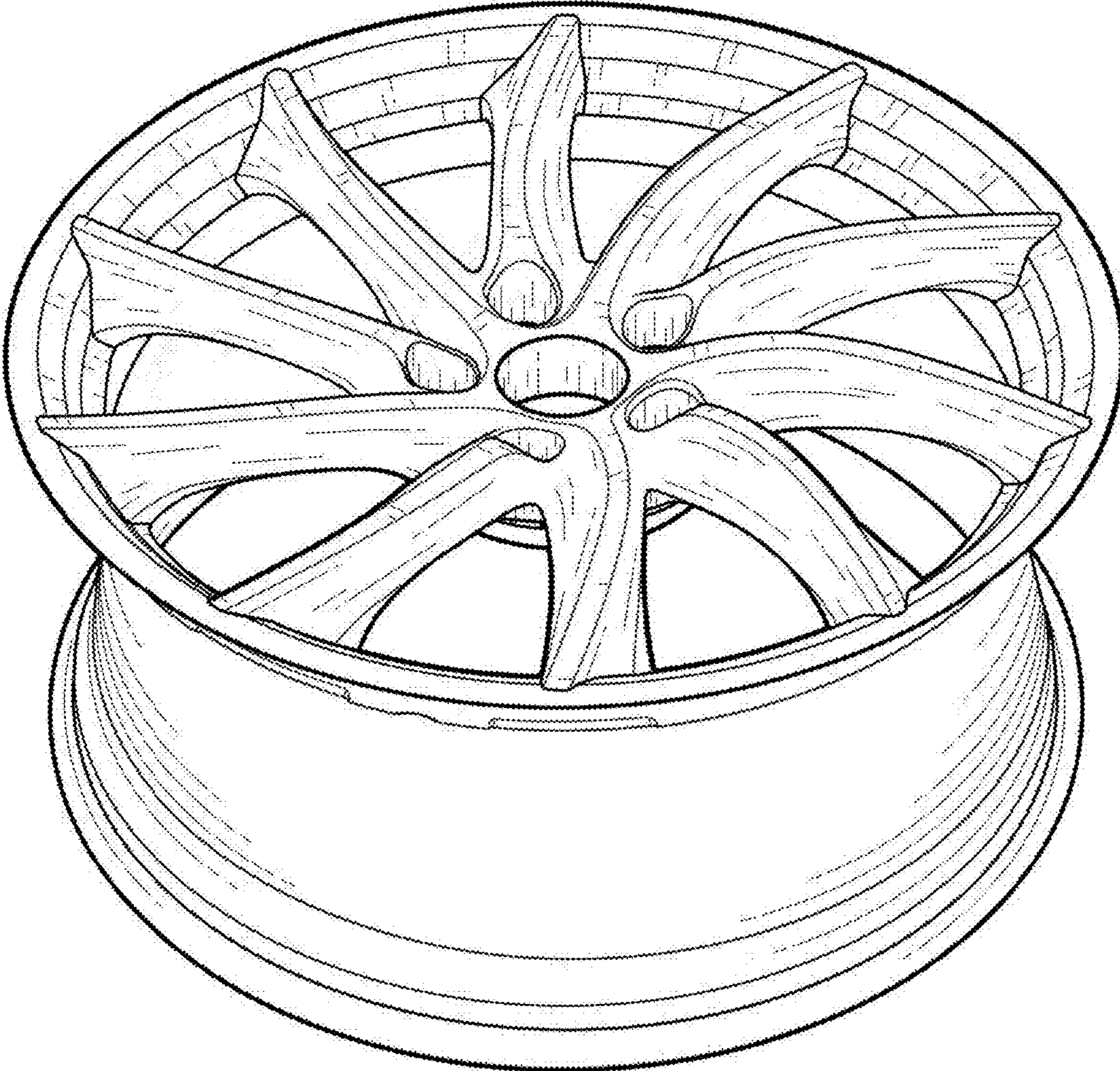


Fig. 1

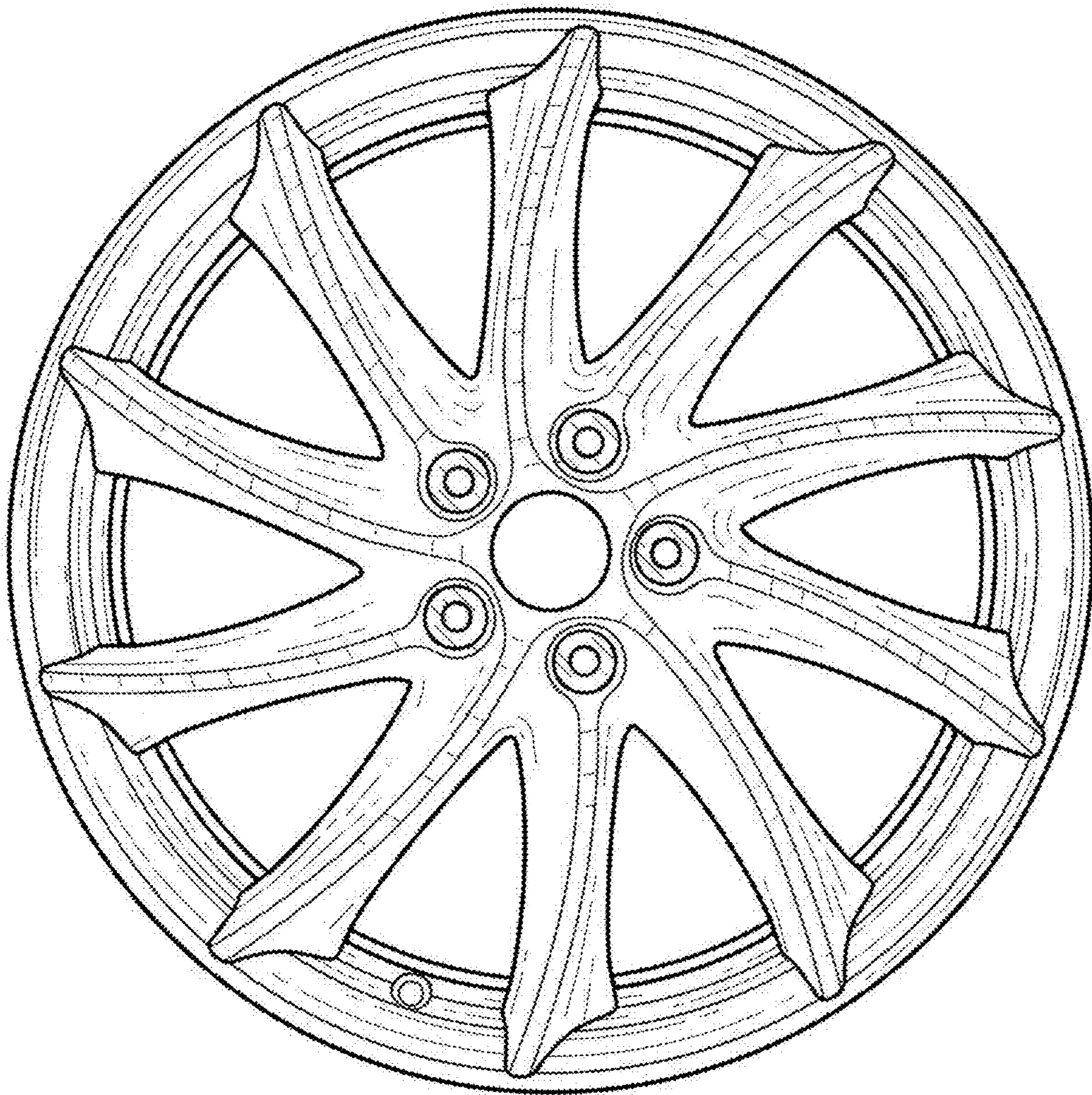


Fig. 2

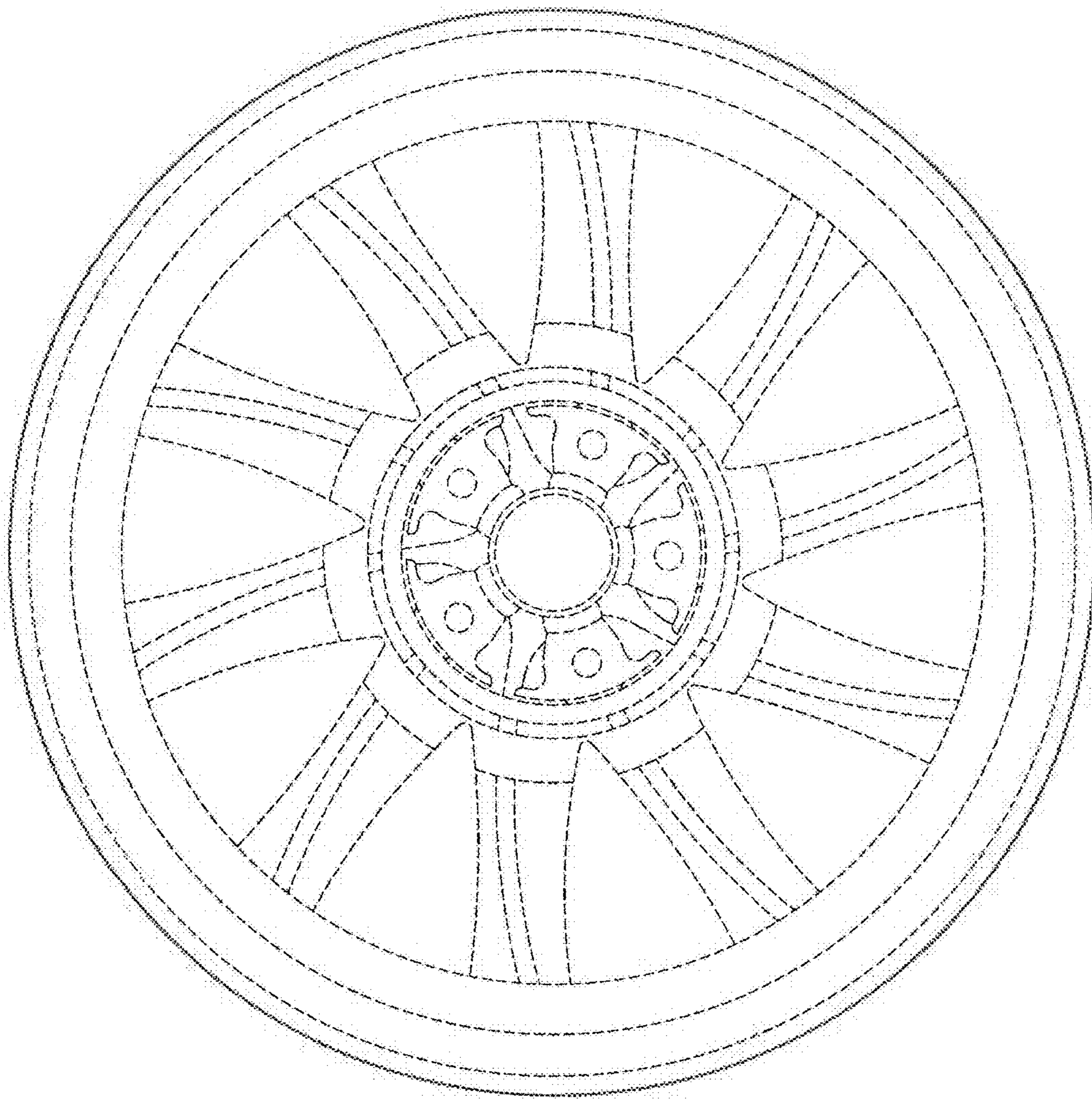


Fig. 3

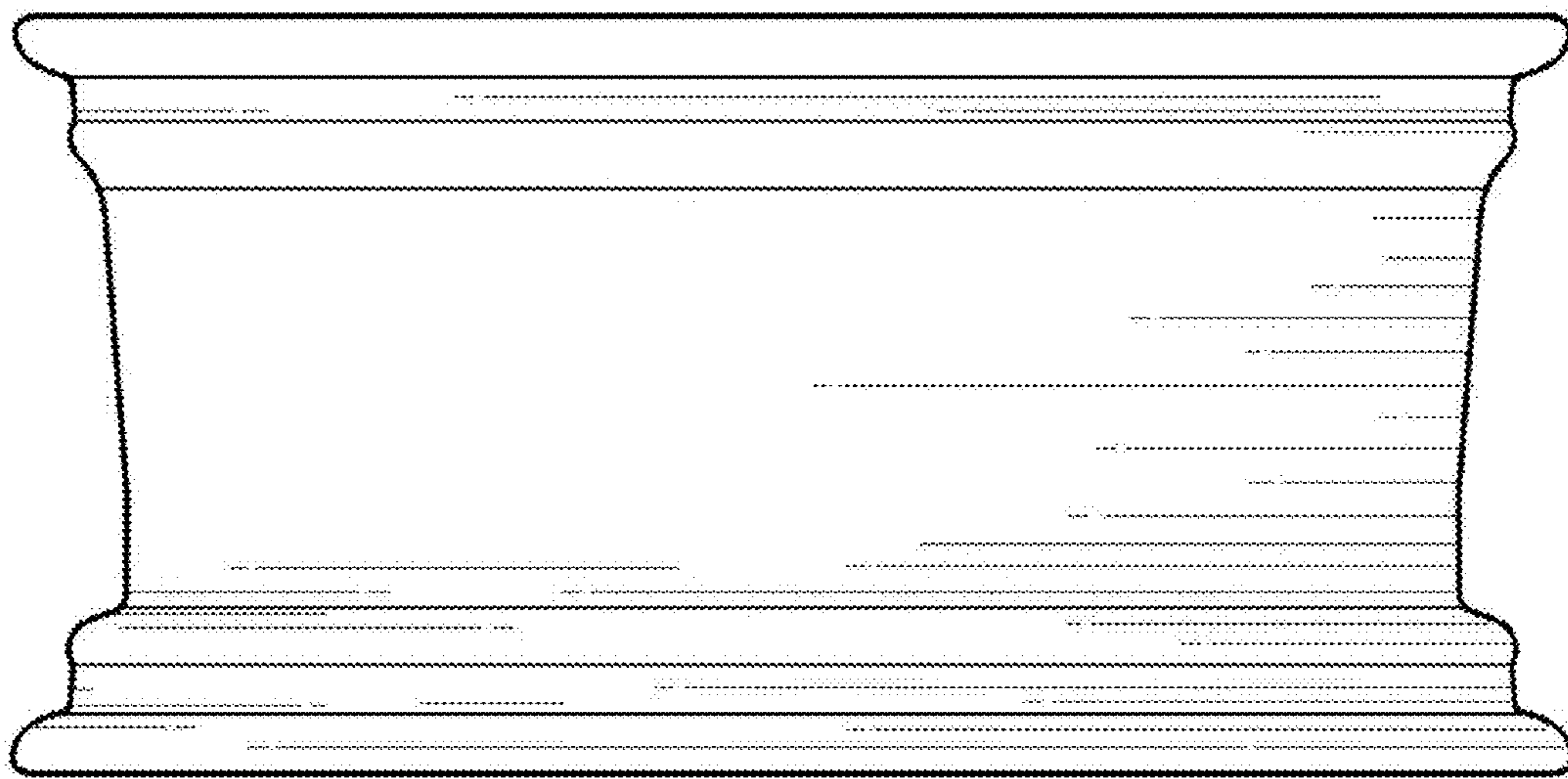


Fig. 4

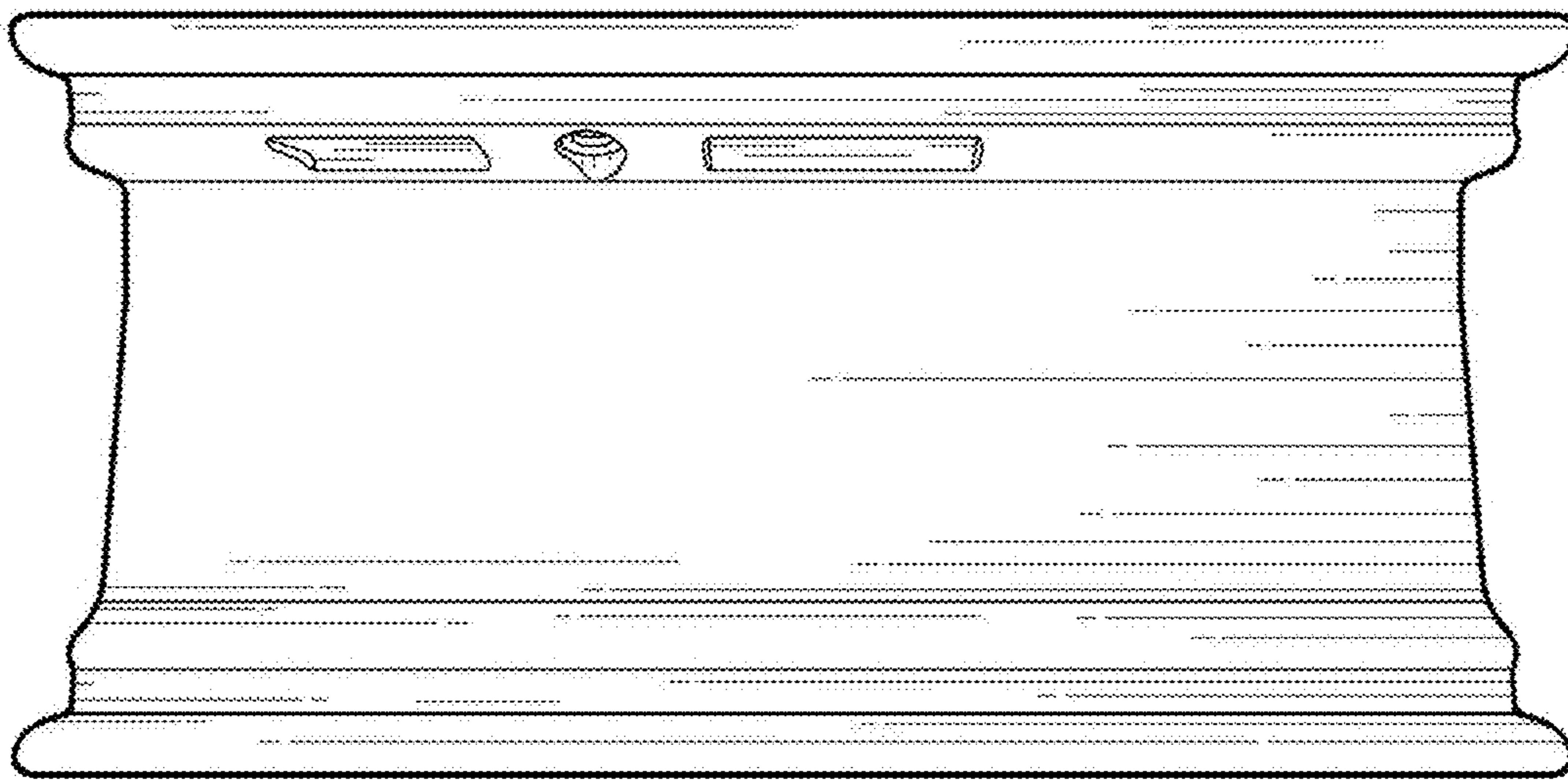


Fig. 5

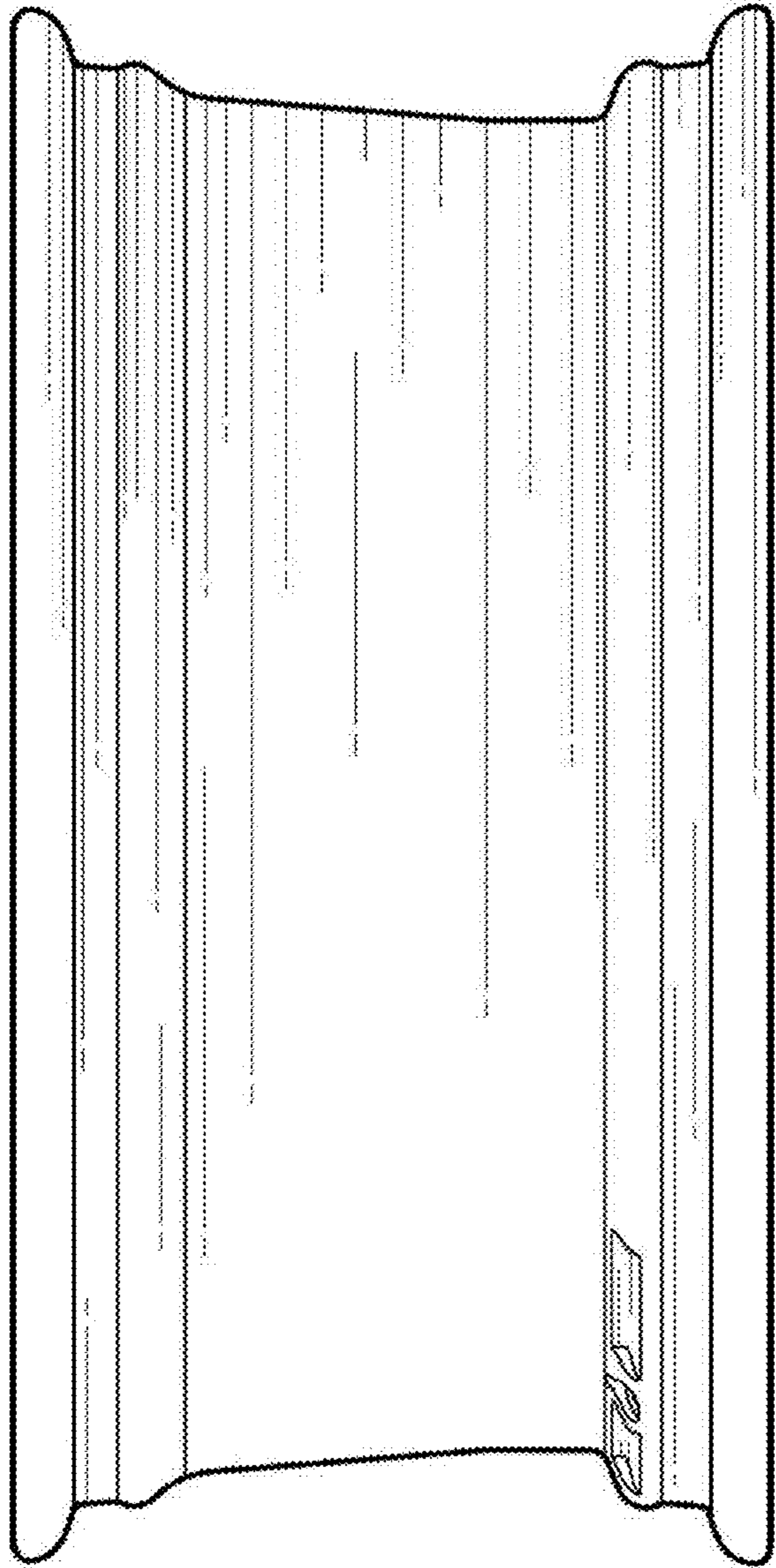


Fig. 6

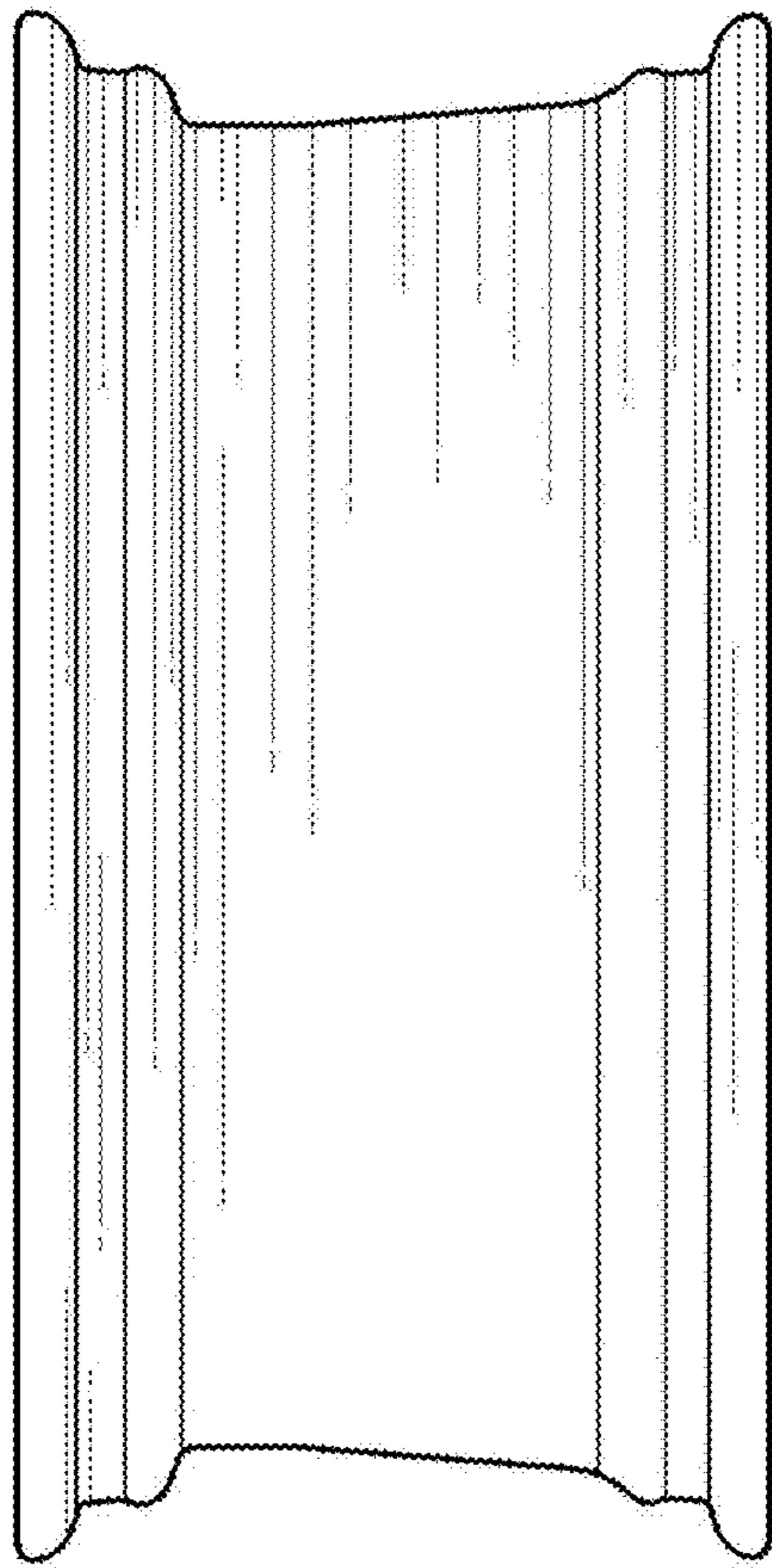


Fig. 7