



US00D789865S

(12) **United States Design Patent**  
**Giolito**

(10) **Patent No.:** **US D789,865 S**

(45) **Date of Patent:** **\*\* Jun. 20, 2017**

(54) **WHEEL**

(71) Applicant: **FCA Italy S.p.A.**, Turin (IT)

(72) Inventor: **Roberto Giolito**, Turin (IT)

(73) Assignee: **FCA ITALY S.p.A.**, Turin (IT)

(\*\*) Term: **15 Years**

(21) Appl. No.: **29/544,854**

(22) Filed: **Nov. 6, 2015**

(30) **Foreign Application Priority Data**

May 21, 2015 (EM) ..... 002704932

(51) **LOC (10) Cl.** ..... **12-16**

(52) **U.S. Cl.**  
USPC ..... **D12/211**

(58) **Field of Classification Search**  
USPC ..... D12/204–213  
CPC .... B60B 7/00; B60B 7/01; B60B 7/02; B60B  
7/04; B60B 7/06; B60B 3/02; B60B 3/04;  
B60B 3/06; B60B 3/10; B60B 1/00;  
B60B 1/08; B60B 1/10; B60B 1/12  
See application file for complete search history.

(56) **References Cited**

**U.S. PATENT DOCUMENTS**

D536,654 S	*	2/2007	Moruzzi	.....	D12/211
D544,823 S	*	6/2007	Hieke	.....	D12/211
D551,609 S	*	9/2007	Hettler	.....	D12/211
D582,330 S	*	12/2008	Hieke	.....	D12/209
D596,549 S	*	7/2009	Varga	.....	D12/211
D603,779 S	*	11/2009	Futschik	.....	D12/211
D622,200 S	*	8/2010	Zhao	.....	D12/211

D649,104 S	*	11/2011	Gallert	.....	D12/211
D659,071 S	*	5/2012	Hale, Jr.	.....	D12/211
D666,547 S	*	9/2012	Hilpert	.....	D12/211
D670,633 S	*	11/2012	Kato	.....	D12/211
D685,711 S	*	7/2013	Hale, Jr.	.....	D12/211
D686,554 S	*	7/2013	Pollmann	.....	D12/209
D726,623 S	*	4/2015	Alfonso	.....	D12/211
D731,944 S	*	6/2015	Kern	.....	D12/211
D738,282 S	*	9/2015	Gallert	.....	D12/211
D746,210 S	*	12/2015	Dilber	.....	D12/211
D749,485 S	*	2/2016	Gallert	.....	D12/211
D759,559 S	*	6/2016	Mielke	.....	D12/209
D762,155 S	*	7/2016	Juergens	.....	D12/211
D762,546 S	*	8/2016	Giolito	.....	D12/209
D763,767 S	*	8/2016	Alfonso	.....	D12/211

\* cited by examiner

*Primary Examiner* — Sandra Snapp

*Assistant Examiner* — Katherine Glennon

(74) *Attorney, Agent, or Firm* — Cowan, Liebowitz & Latman, P.C.

(57) **CLAIM**

The ornamental design for a wheel, as shown and described.

**DESCRIPTION**

FIG. 1 is a perspective view of the wheel showing my design thereof;

FIG. 2 is a front view thereof;

FIG. 3 is rear view thereof;

FIG. 4 is a right side view thereof;

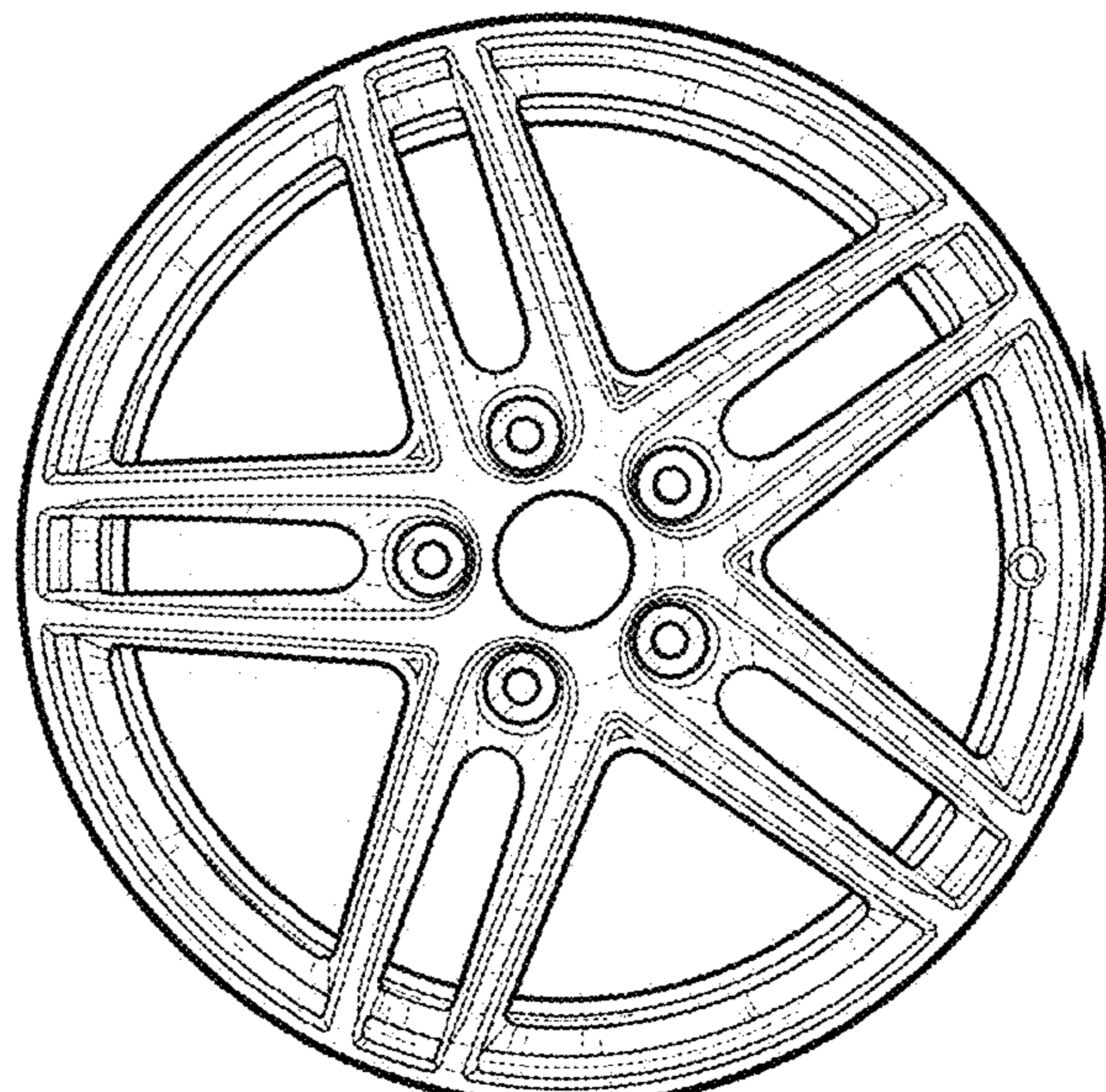
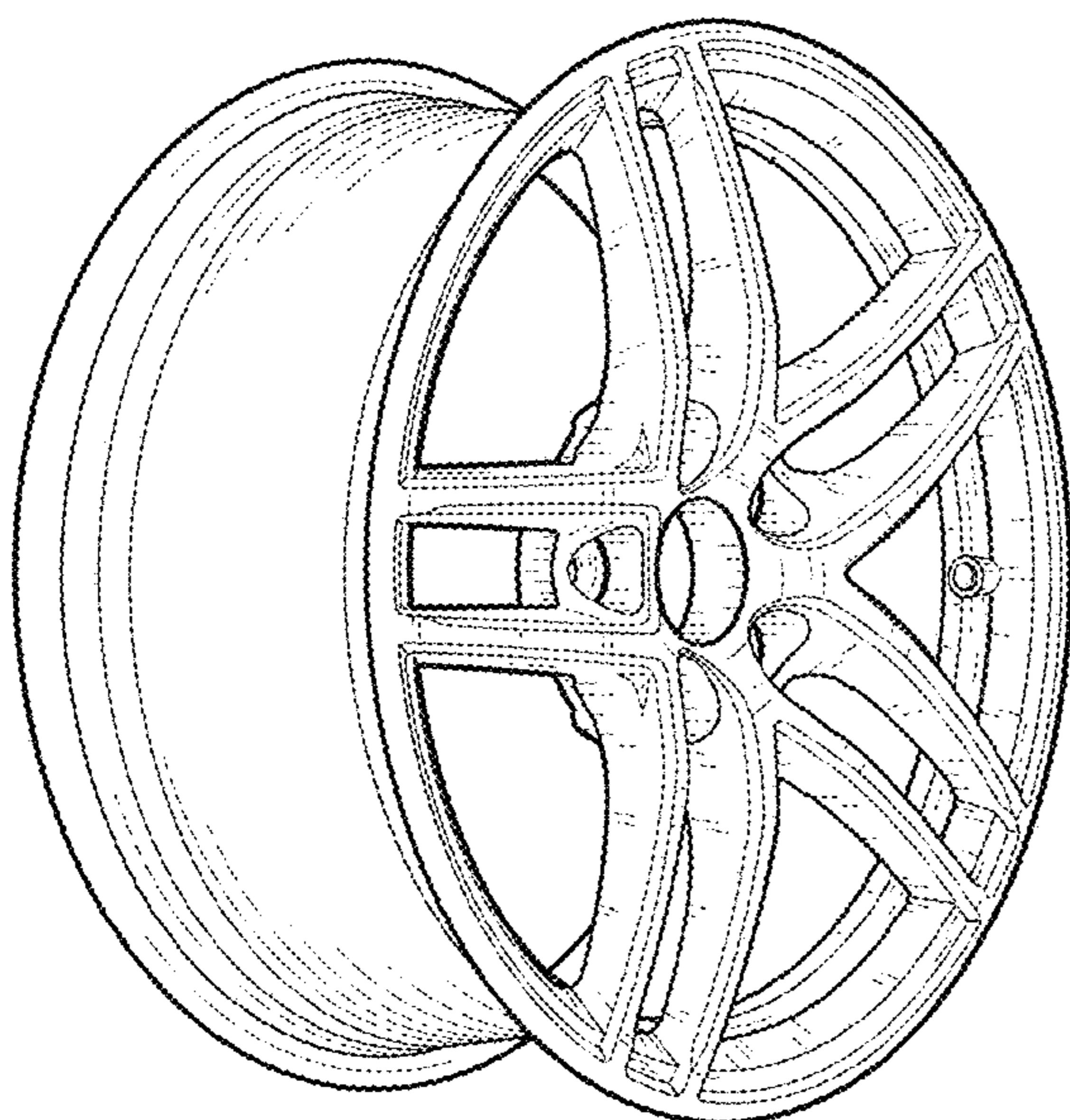
FIG. 5 is a left side view thereof;

FIG. 6 is a top view thereof; and,

FIG. 7 is a bottom view thereof.

Portions of the drawings shown in broken lines form no part of the claimed design.

**1 Claim, 7 Drawing Sheets**



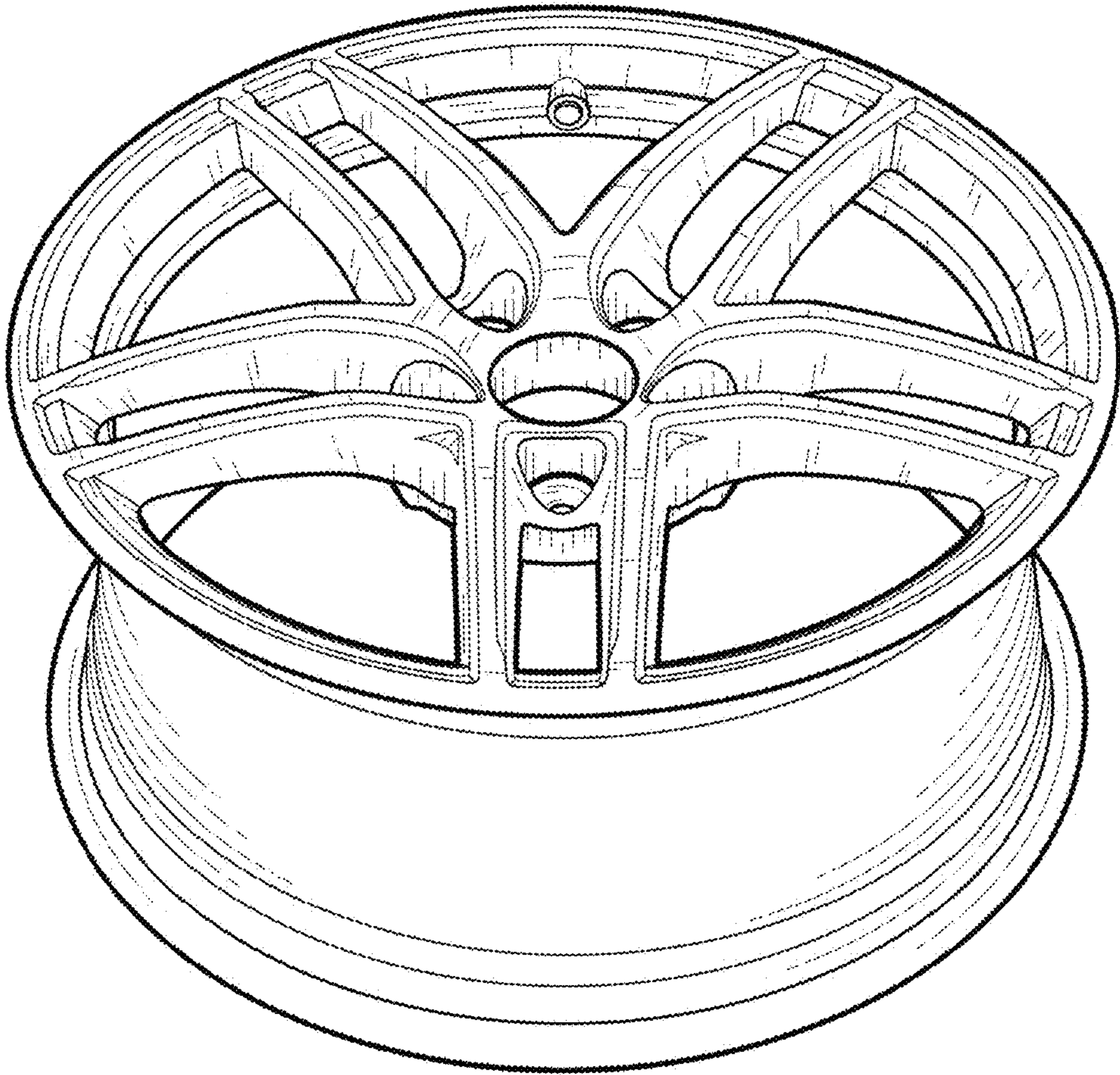


Fig. 1

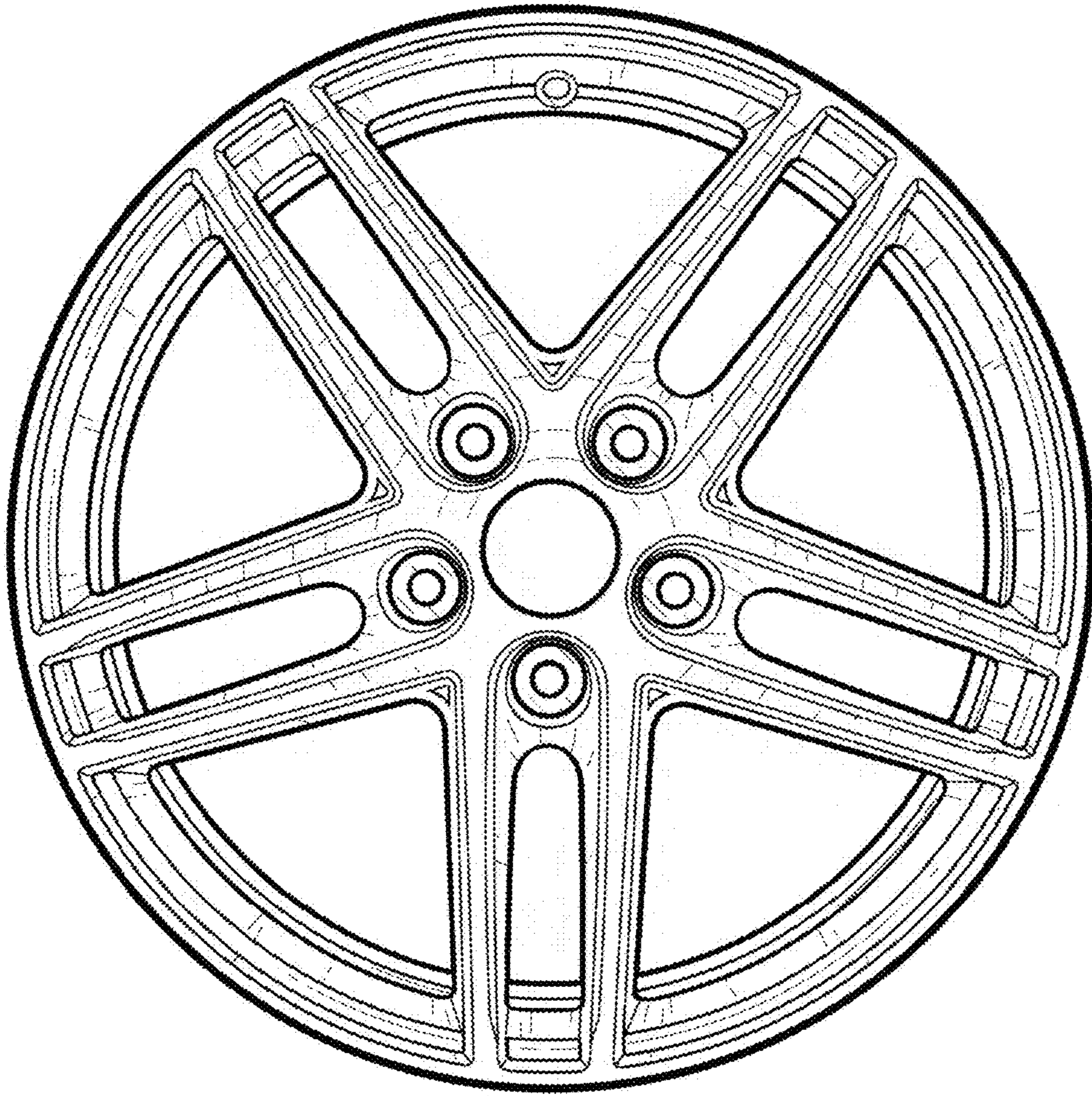


Fig. 2

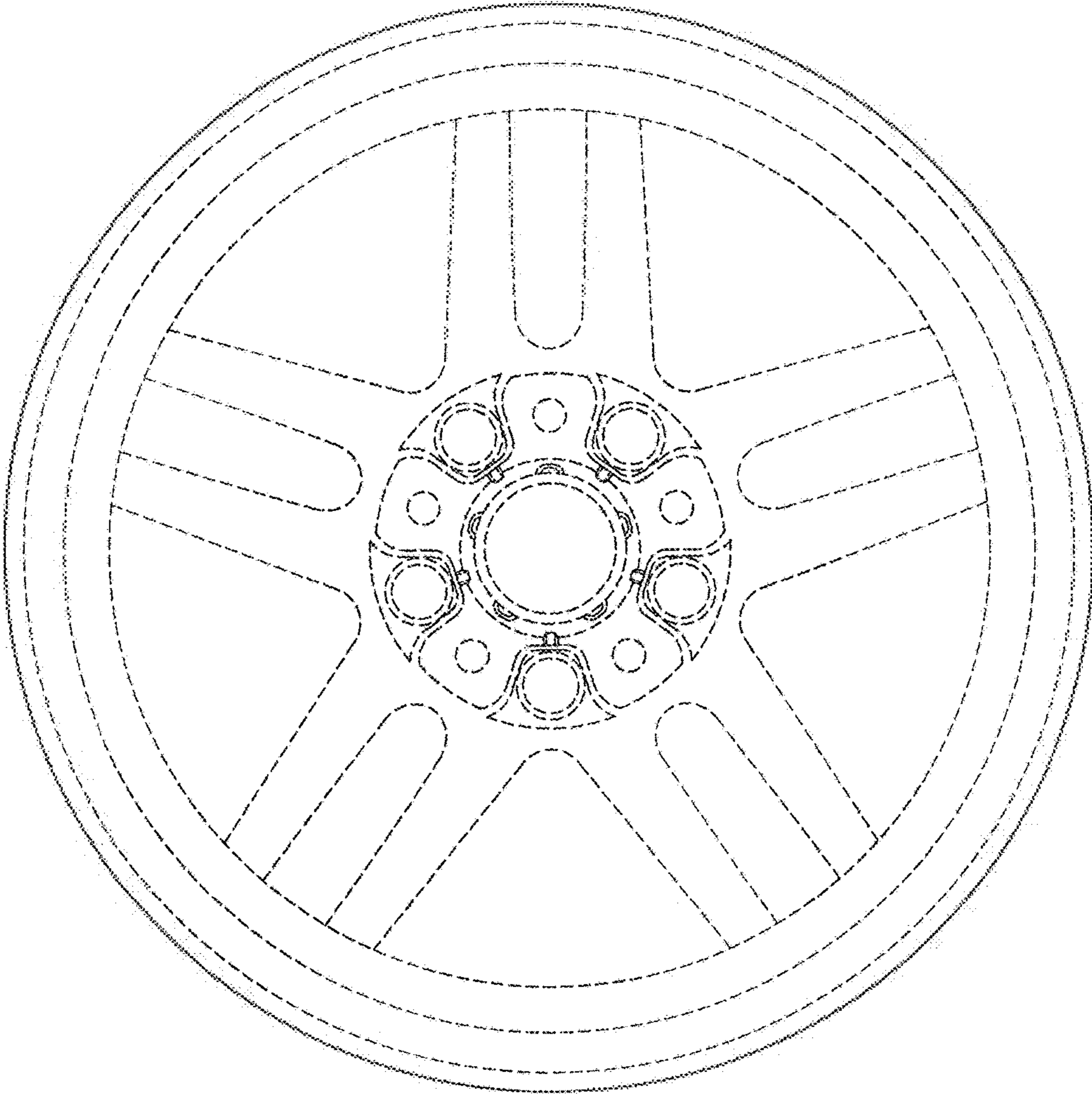


Fig. 3

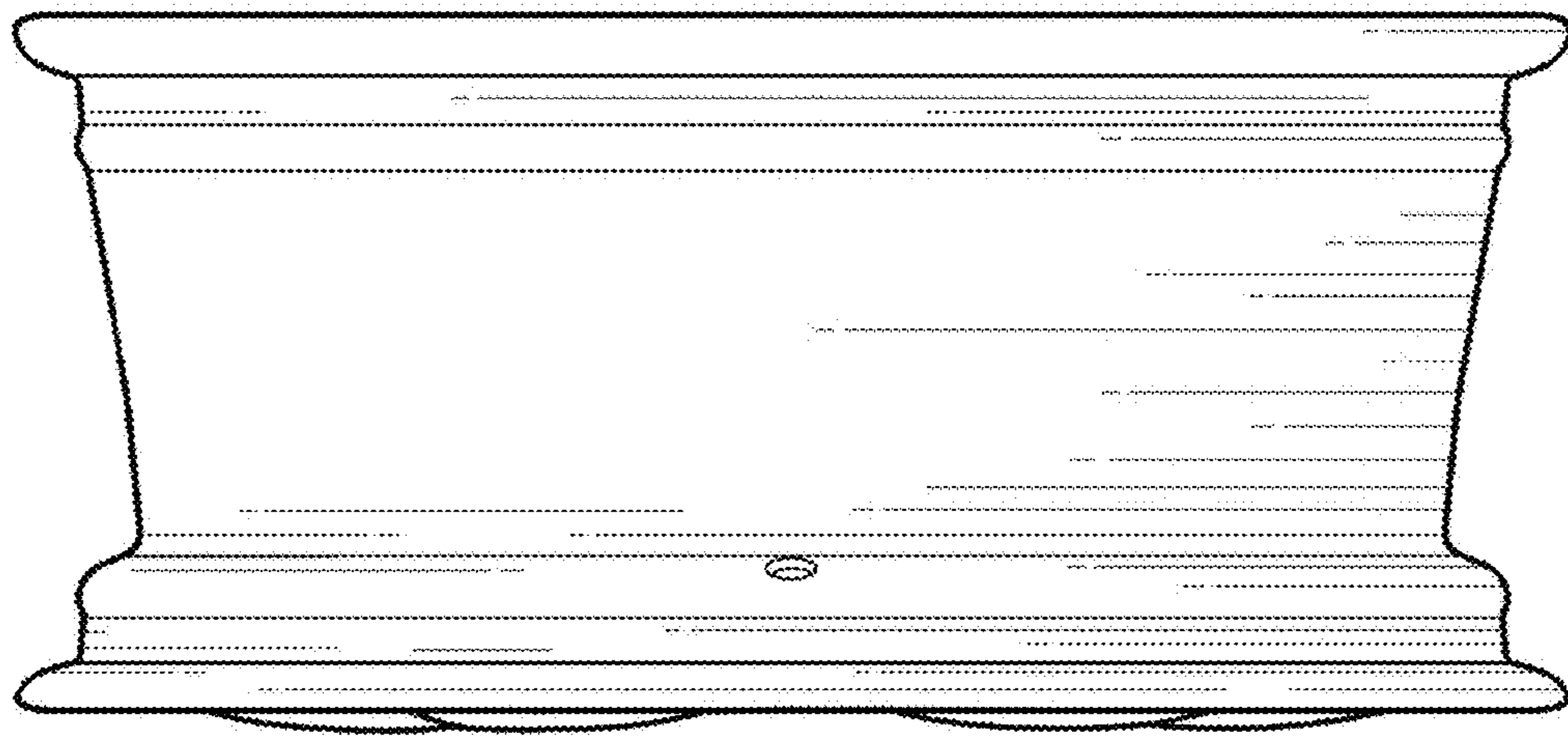


Fig. 4

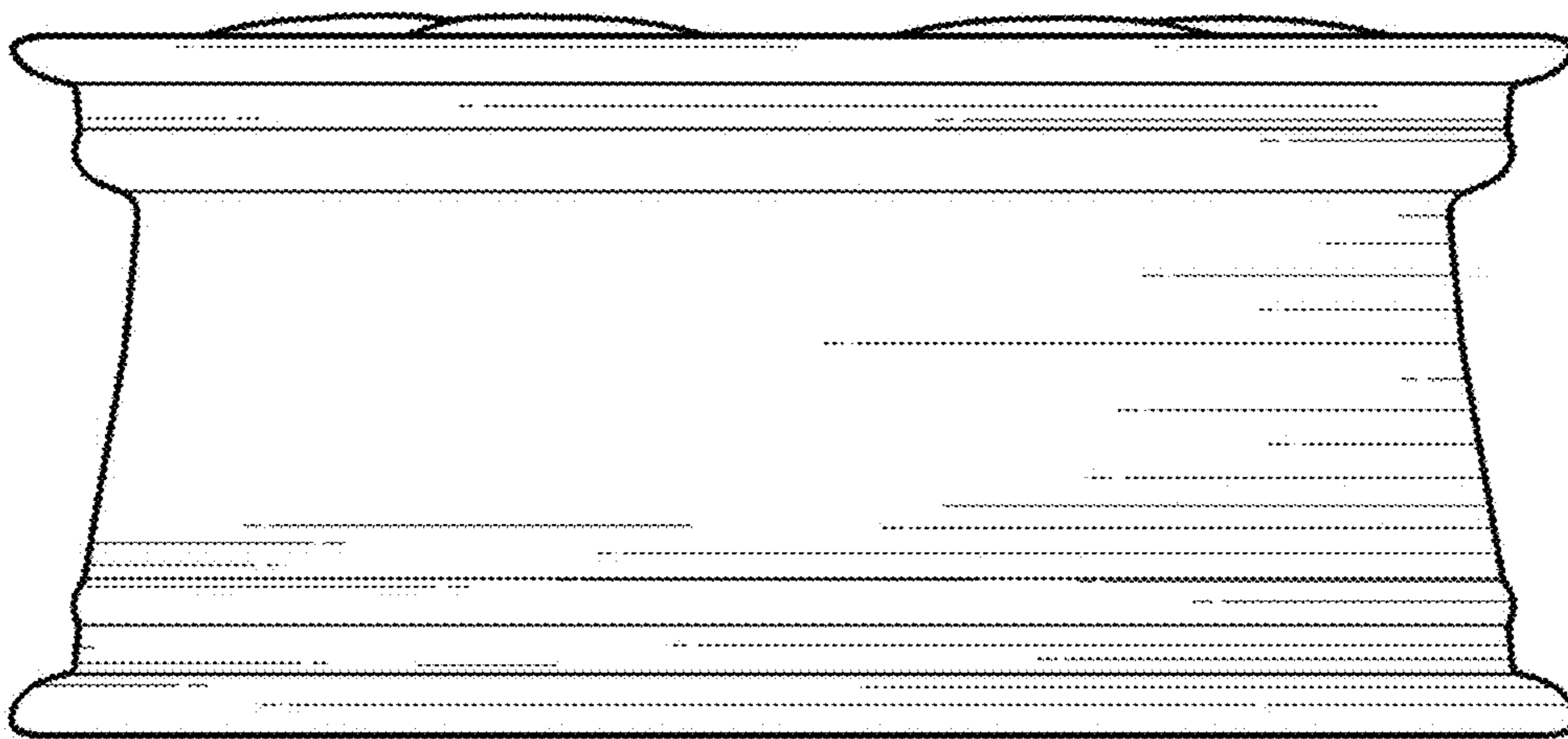


Fig. 5

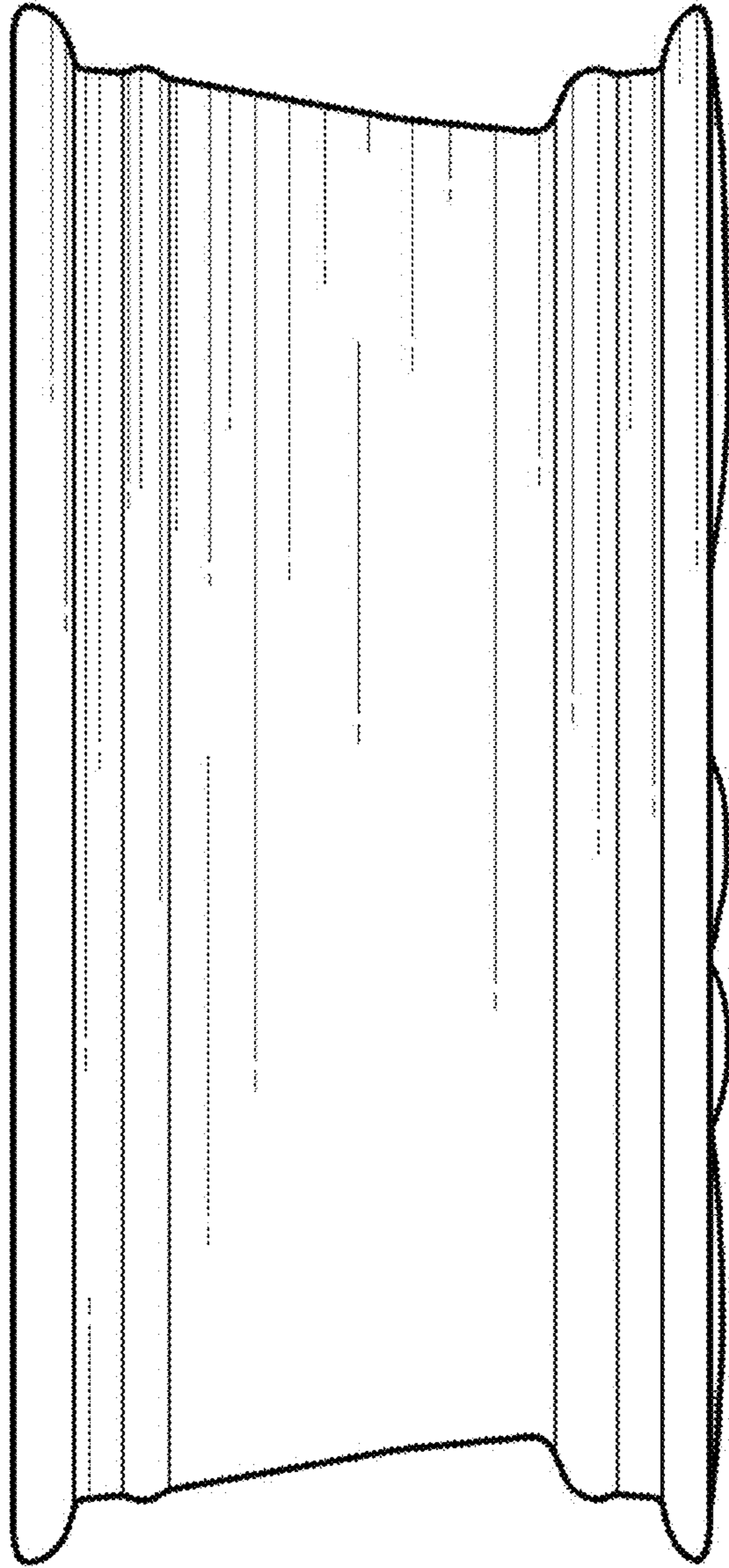


Fig. 6

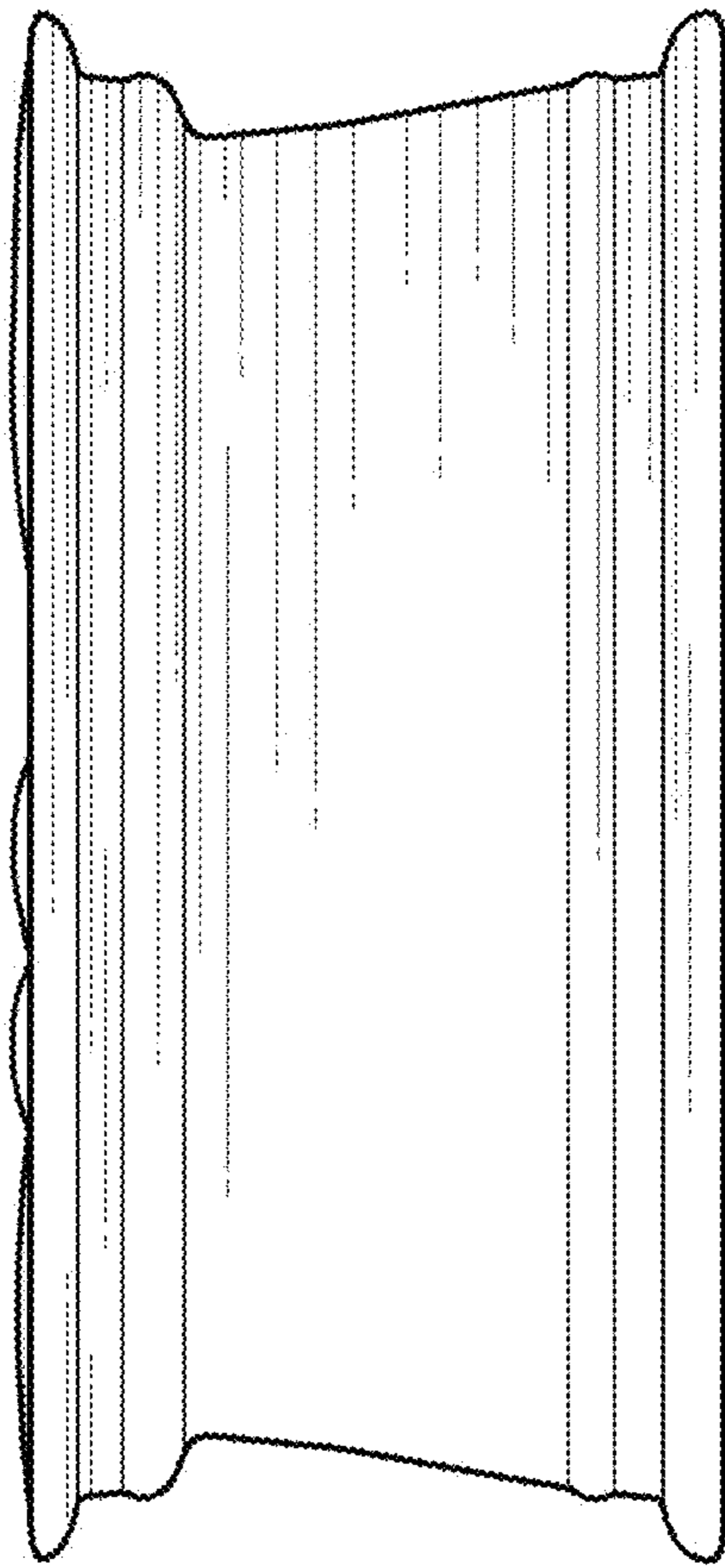


Fig. 7