



US00D789859S

(12) **United States Design Patent**
Peat

(10) **Patent No.:** **US D789,859 S**

(45) **Date of Patent:** **** Jun. 20, 2017**

(54) **WHEEL**

(71) Applicant: **Jaguar Land Rover Limited**, Whitley,
Coventry (GB)

(72) Inventor: **Anthony Peat**, Coventry (GB)

(73) Assignee: **Jaguar Land Rover Limited**, Whitley,
Coventry (GB)

(**) Term: **15 Years**

(21) Appl. No.: **29/539,032**

(22) Filed: **Sep. 10, 2015**

(30) **Foreign Application Priority Data**

Mar. 16, 2015 (EM) 002656413

(51) **LOC (10) Cl.** **12-16**

(52) **U.S. Cl.**
USPC **D12/209**

(58) **Field of Classification Search**

USPC D12/204-213

CPC B60B 7/00; B60B 7/02; B60B 7/04; B60B

7/01; B60B 7/06; B60B 3/02; B60B 3/04;

B60B 3/06; B60B 3/10; B60B 1/00;

B60B 1/08; B60B 1/10; B60B 1/12

See application file for complete search history.

(56) **References Cited**

U.S. PATENT DOCUMENTS

D515,491 S * 2/2006 Elmitt D12/209

D522,432 S * 6/2006 Pfeiffer D12/209

| | | | | |
|--------------|---------|-----------|-------|---------|
| D563,305 S * | 3/2008 | Schweizer | | D12/211 |
| D580,842 S * | 11/2008 | Kim | | D12/211 |
| D590,314 S * | 4/2009 | Hettler | | D12/209 |
| D631,813 S * | 2/2011 | Nissl | | D12/209 |
| D635,078 S * | 3/2011 | Elmitt | | D12/209 |
| D651,550 S * | 1/2012 | Elmitt | | D12/209 |
| D654,006 S * | 2/2012 | Baum | | D12/209 |
| D658,101 S * | 4/2012 | Nissl | | D12/209 |
| D660,217 S * | 5/2012 | Nissl | | D12/209 |
| D666,952 S * | 9/2012 | Pollmann | | D12/209 |
| D671,473 S * | 11/2012 | Zurian | | D12/209 |
| D686,130 S * | 7/2013 | Elmitt | | D12/209 |
| D697,003 S * | 1/2014 | Baum | | D12/209 |
| D703,599 S * | 4/2014 | Amezqueta | | D12/209 |
| D744,398 S * | 12/2015 | Nissl | | D12/209 |
| D747,248 S * | 1/2016 | Amezqueta | | D12/209 |
| D758,943 S * | 6/2016 | Elmitt | | D12/209 |

* cited by examiner

Primary Examiner — Stacia Cadmus

(74) *Attorney, Agent, or Firm* — Wood Herron & Evans
LLP

(57) **CLAIM**

The ornamental design for a wheel, as shown and described.

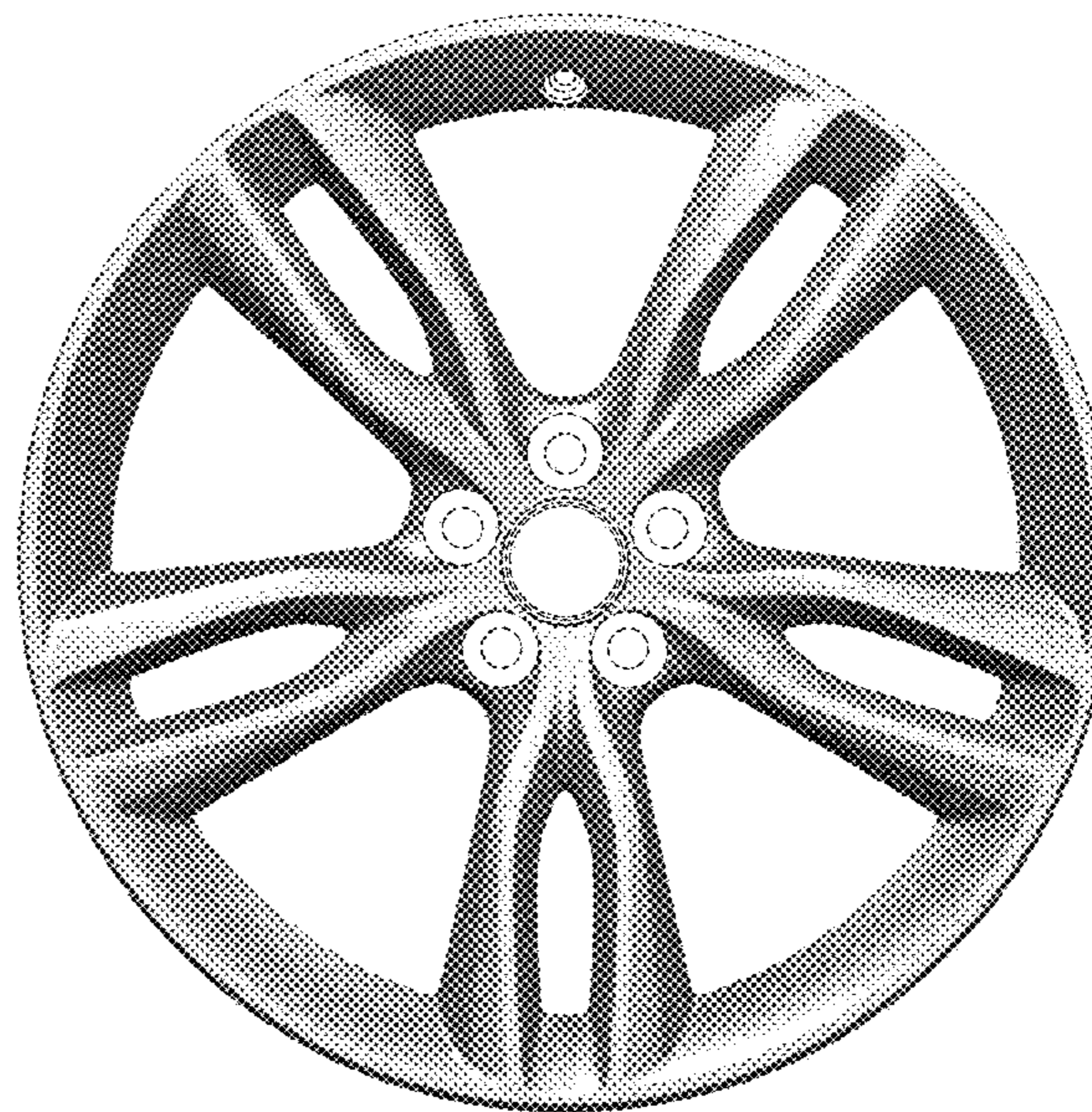
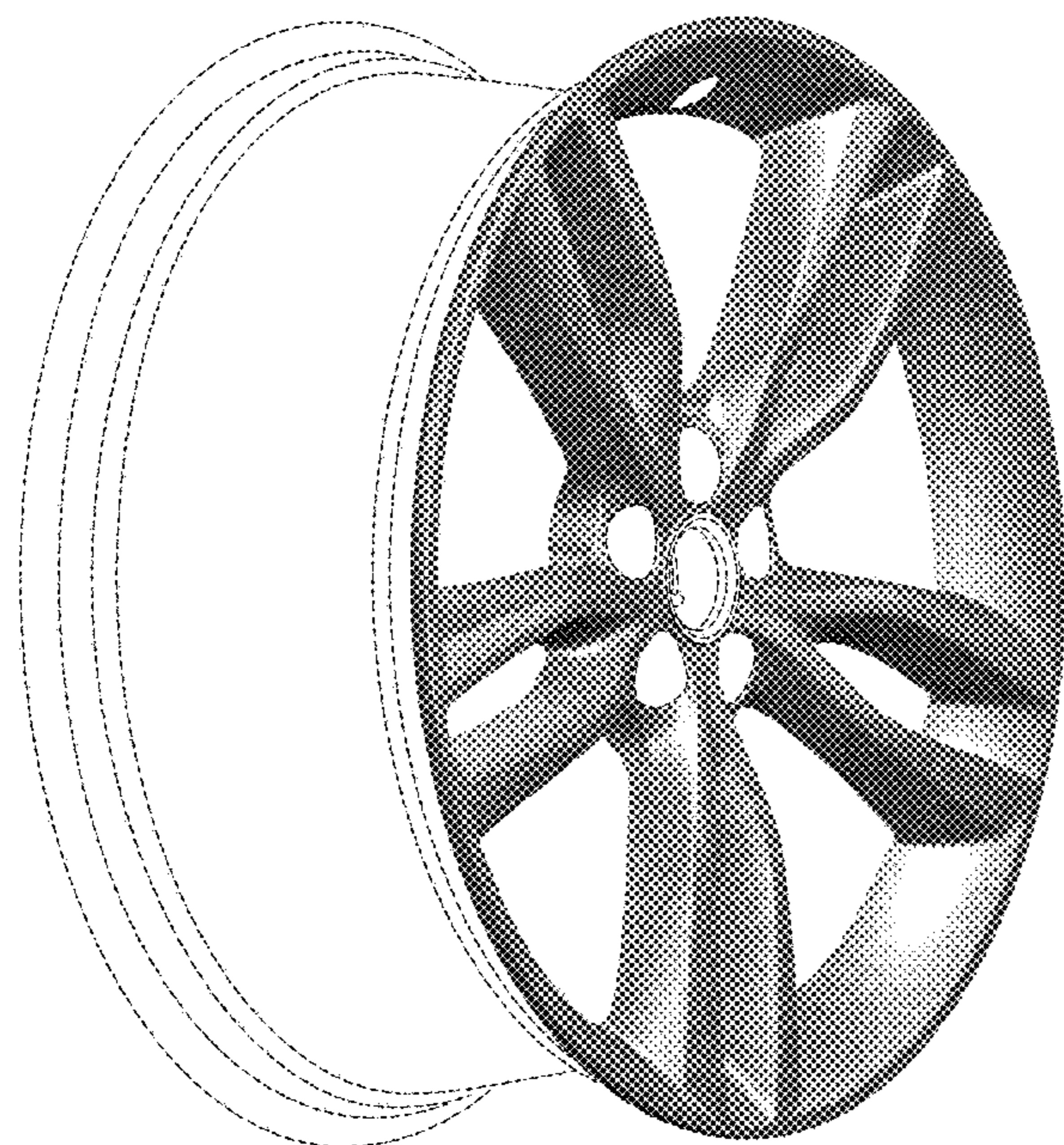
DESCRIPTION

FIG. 1 is a front left perspective view of a wheel for a vehicle according to the present invention.

FIG. 2 is a front view of the wheel shown in FIG. 1; and, FIG. 3 is a left side view thereof.

The broken line showing of the rear of the rim, the valve stem hole, the bolt holes and the center hole in the central hub area is included for the purpose of illustrating environment and forms no part of the claimed design.

1 Claim, 3 Drawing Sheets



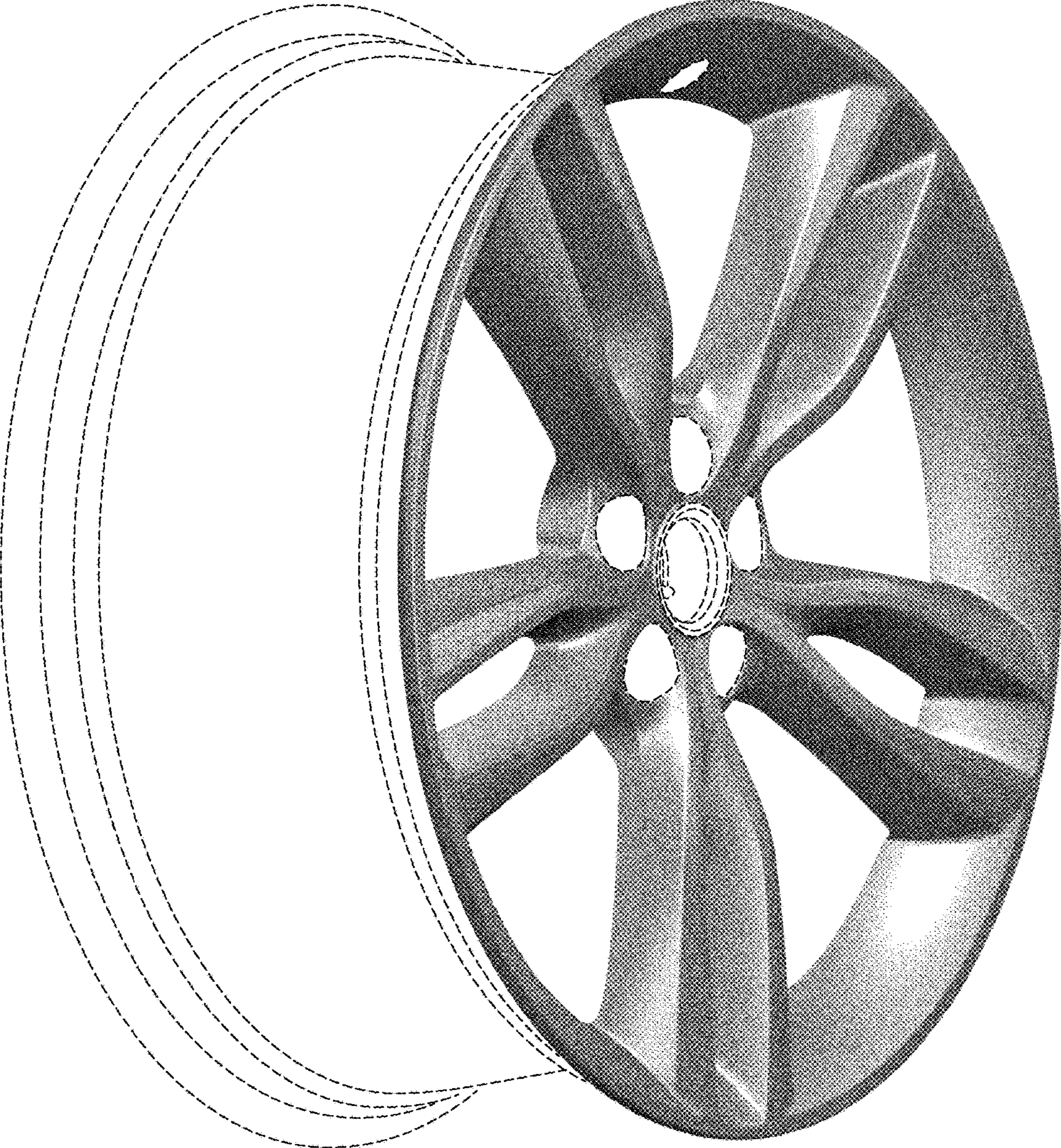


FIG. 1

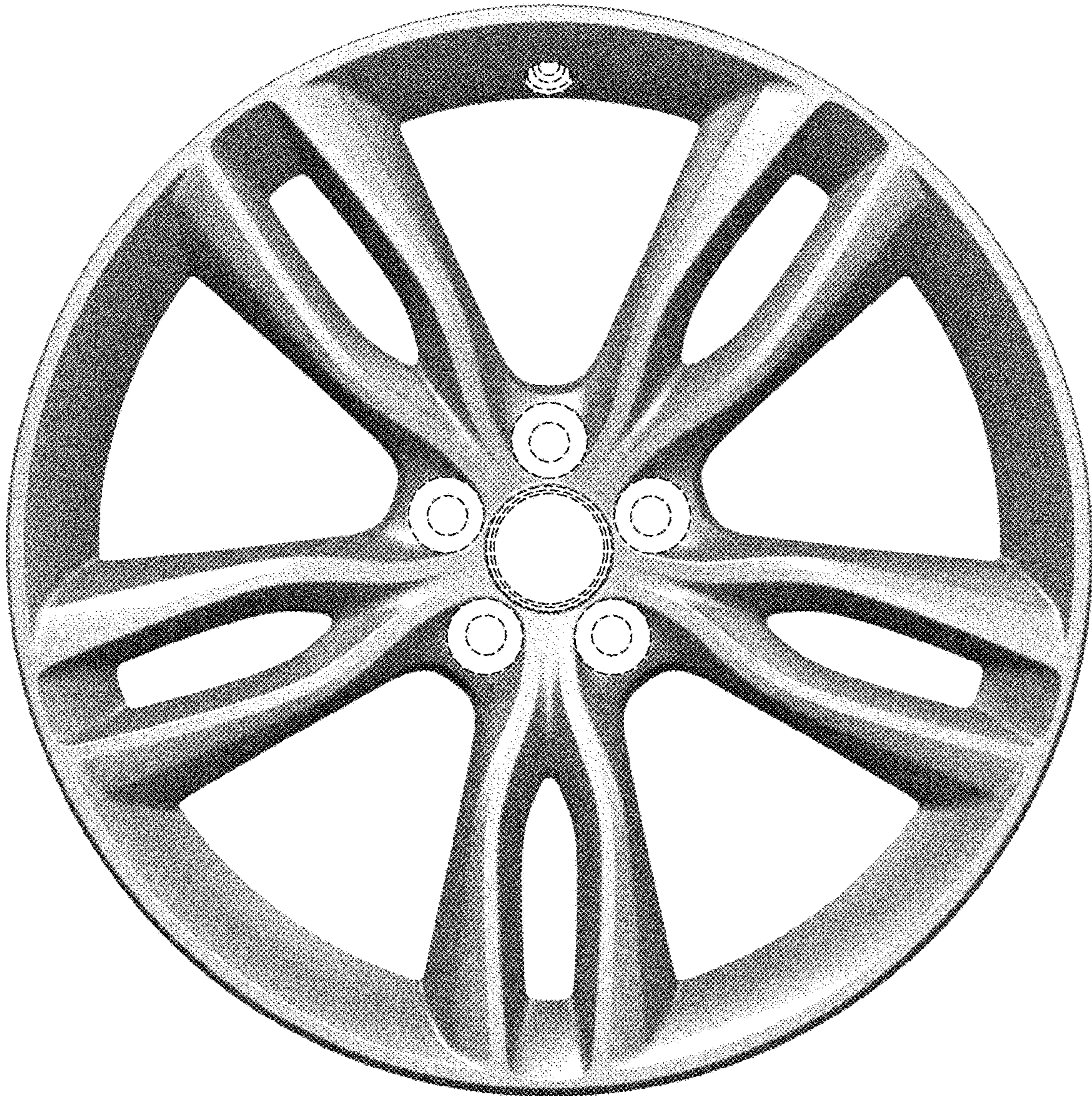


FIG. 2

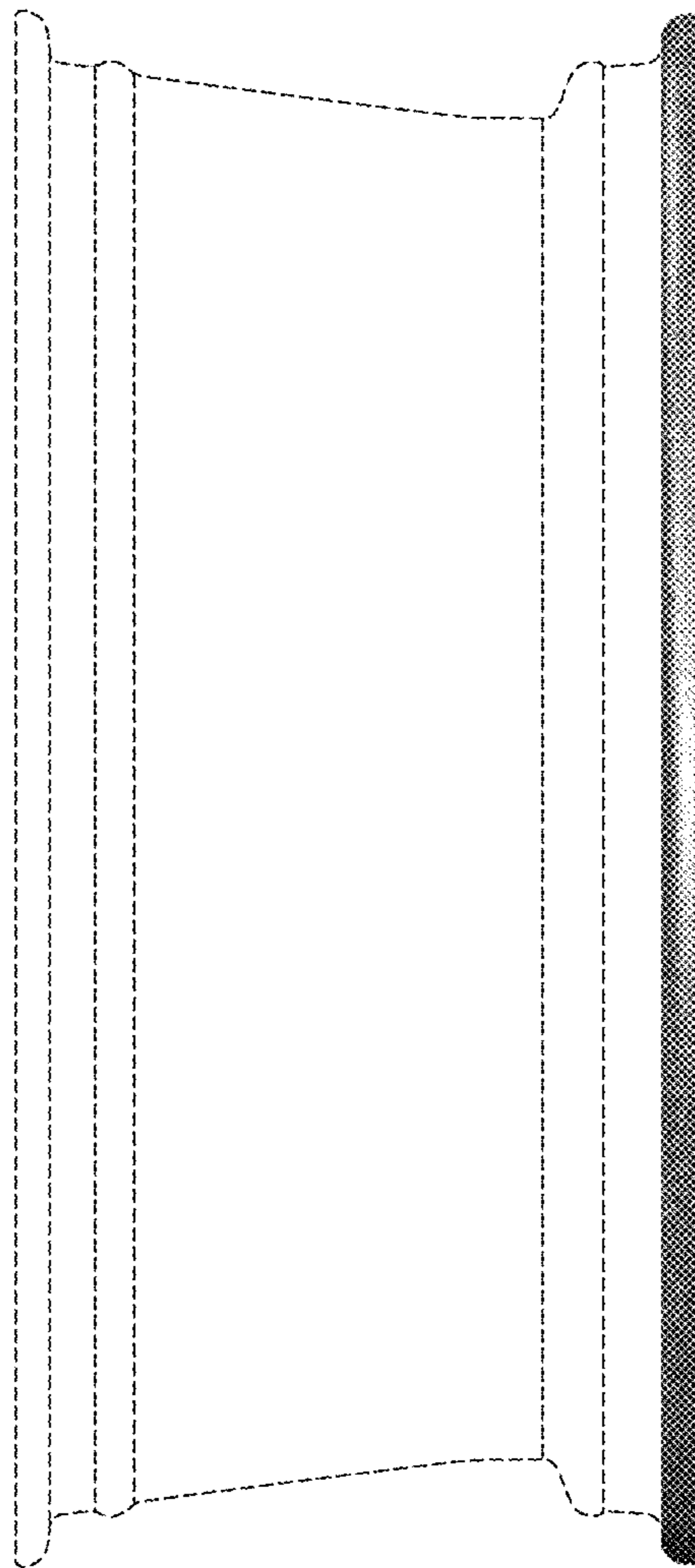


FIG. 3