



US00D789858S

(12) **United States Design Patent**
Hare

(10) **Patent No.:** **US D789,858 S**

(45) **Date of Patent:** **** *Jun. 20, 2017**

- (54) **VEHICLE SIDE STEP**
- (71) Applicant: **Addictive Desert Designs, LLC**, Mesa, AZ (US)
- (72) Inventor: **Jared A. Hare**, Mesa, AZ (US)
- (73) Assignee: **Addictive Desert Designs LLC**, Mesa, AZ (US)
- (*) Notice: This patent is subject to a terminal disclaimer.
- (**) Term: **15 Years**
- (21) Appl. No.: **29/527,473**
- (22) Filed: **May 19, 2015**
- (51) **LOC (10) Cl.** **12-16**
- (52) **U.S. Cl.**
USPC **D12/203**
- (58) **Field of Classification Search**
USPC D12/203, 89, 314, 162, 190
CPC B60R 3/02; B60R 3/002; B60R 3/005;
B60R 3/00
See application file for complete search history.

- D649,100 S * 11/2011 Cheng D12/203
- D658,559 S * 5/2012 Hodges D12/203
- D665,713 S * 8/2012 Pochurek D12/203
- D671,874 S * 12/2012 Kekich, Jr. D12/203
- D673,890 S * 1/2013 Bundy D12/203
- D676,368 S * 2/2013 Cover D12/203
- 8,864,158 B1 * 10/2014 Perkins B60R 3/002
280/163
- D720,674 S * 1/2015 Stanesic D12/203
- D731,384 S * 6/2015 Farr D12/203
- D737,188 S * 8/2015 Perkins D12/203
- D738,803 S * 9/2015 Zhu D12/203
- D739,322 S * 9/2015 Villareal D12/203
- D739,801 S * 9/2015 Bundy D12/203
- D747,673 S * 1/2016 Wang D12/203

* cited by examiner

Primary Examiner — George D Kirschbaum
Assistant Examiner — Clese Moore, Jr.
(74) *Attorney, Agent, or Firm* — Venjuris P.C.

(57) **CLAIM**

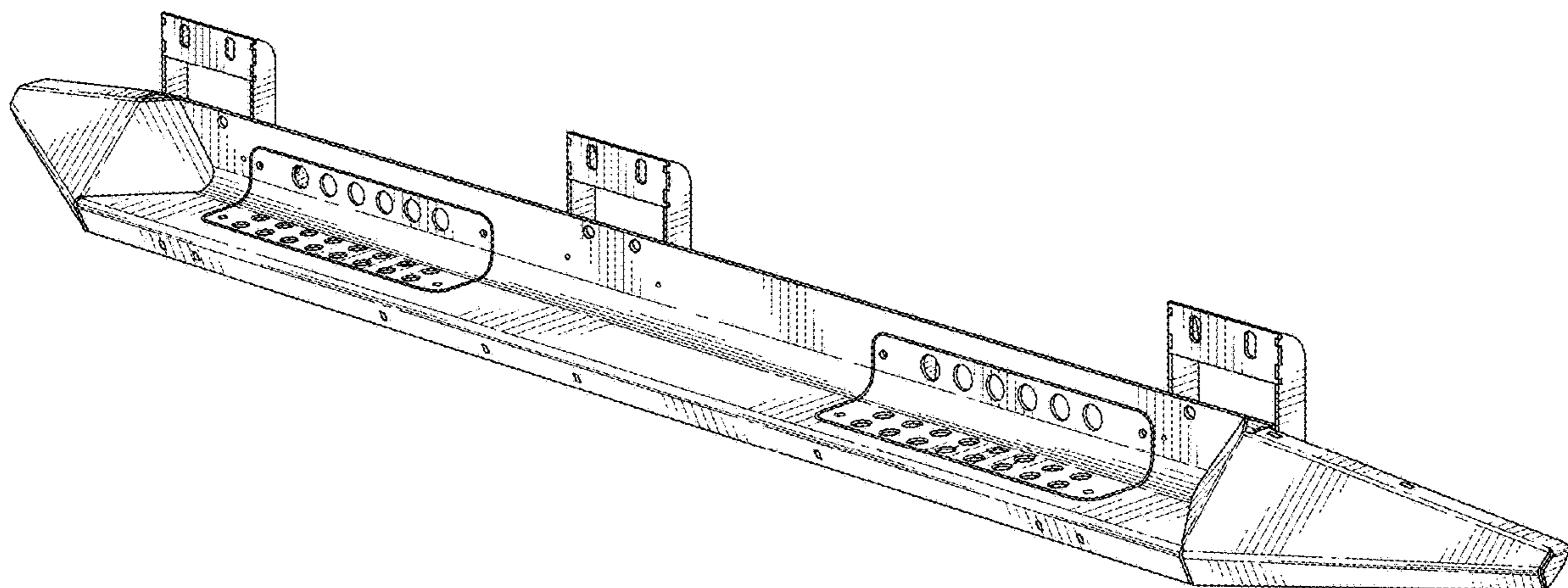
The ornamental design for a vehicle side step, as shown and described.

DESCRIPTION

FIG. 1 is a perspective view of a vehicle side step embodying the new design;
FIG. 2 is front elevational view;
FIG. 3 is a rear elevational view;
FIG. 4 is a right side elevational view;
FIG. 5 is a top plan view;
FIG. 6 is a bottom plan view; and,
FIG. 7 is a perspective view from beneath the design.
The left side elevational view is a mirror image of the right side elevational view.

1 Claim, 4 Drawing Sheets

- (56) **References Cited**
U.S. PATENT DOCUMENTS
- D400,485 S * 11/1998 Zentner D12/203
- D488,759 S * 4/2004 Hattori D12/203
- D495,283 S * 8/2004 Ashley D12/203
- D505,901 S * 6/2005 Wang D12/203
- D568,222 S * 5/2008 Storer D12/203
- D596,098 S * 7/2009 Huang-Tsai D12/203
- D632,627 S * 2/2011 Huang-Tsai D12/203
- D634,687 S * 3/2011 Vukel D12/162
- D645,805 S * 9/2011 Vukel D12/162



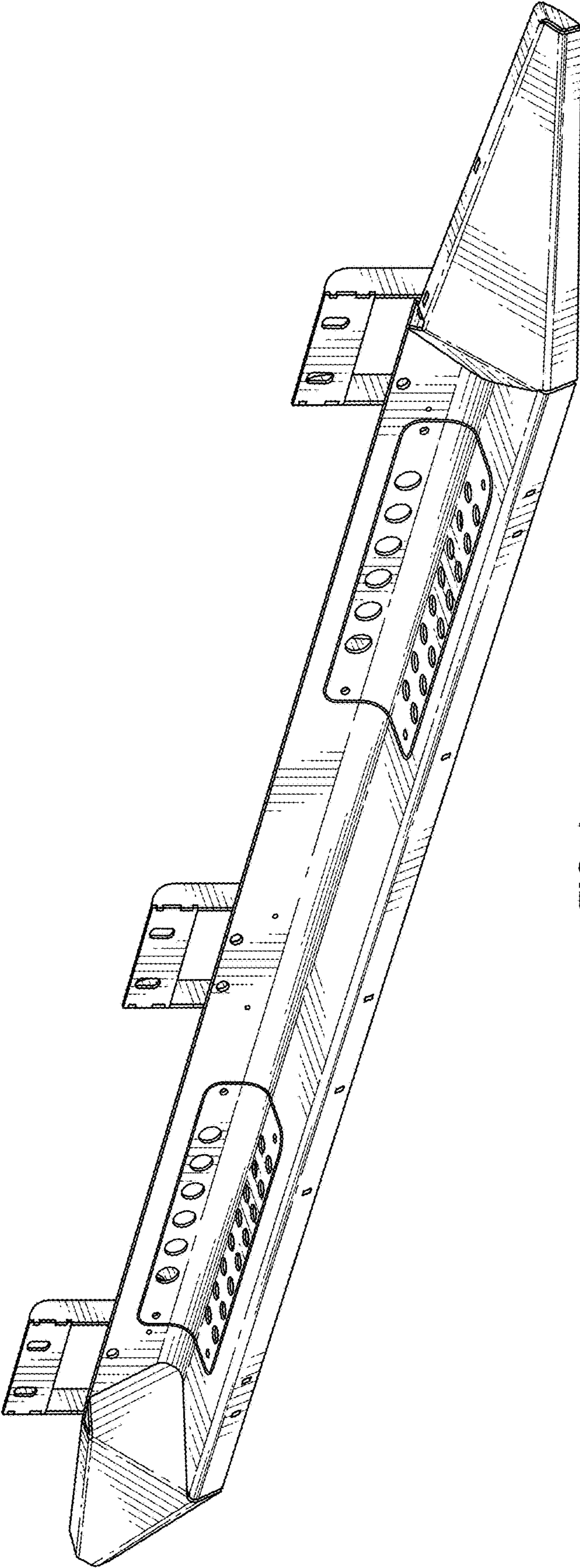


FIG. 1

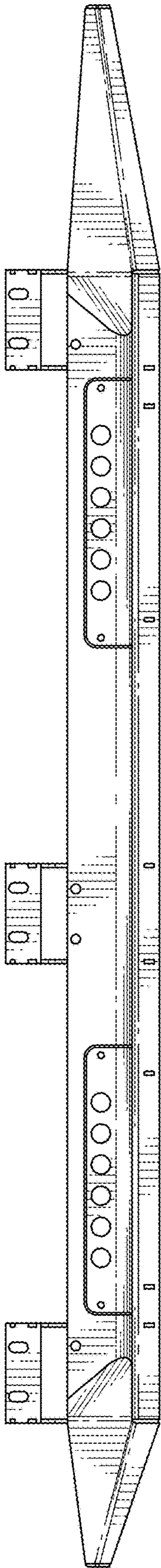


FIG. 2

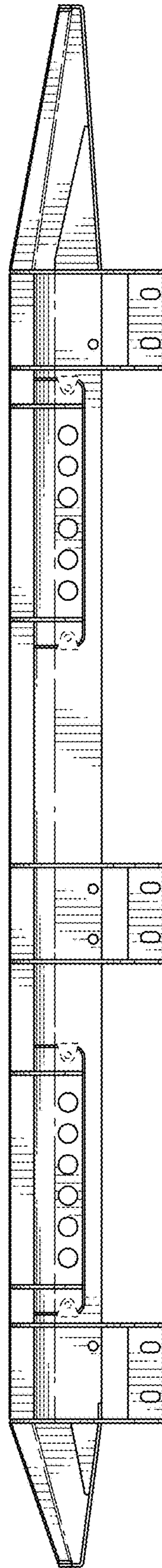


FIG. 3

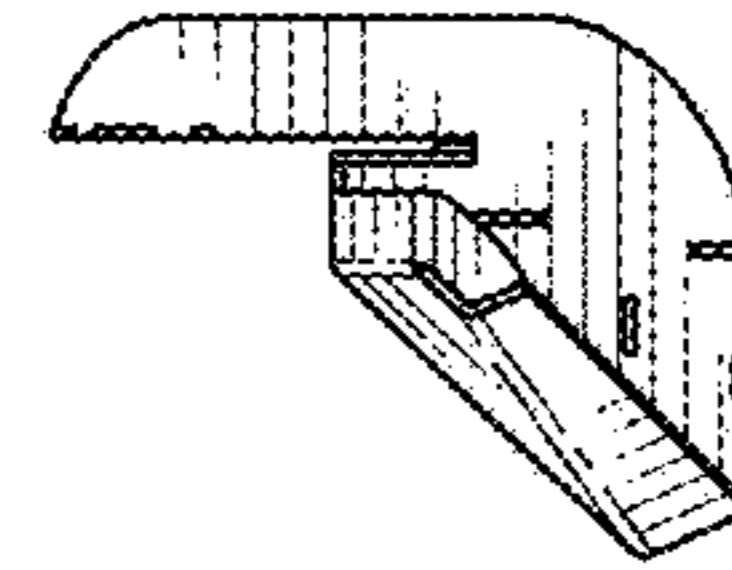


FIG. 4

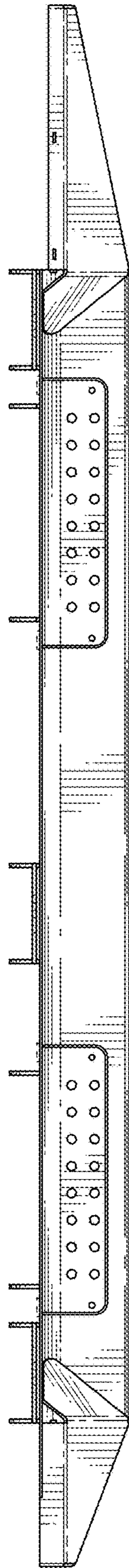


FIG. 5

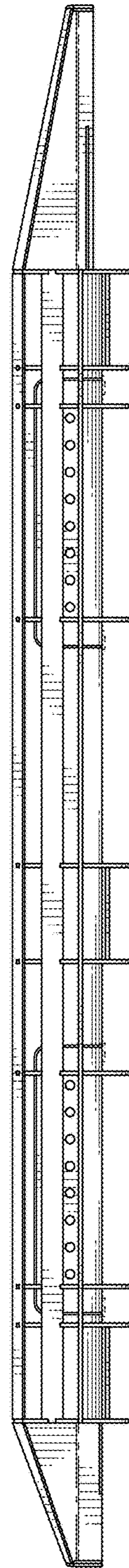


FIG. 6

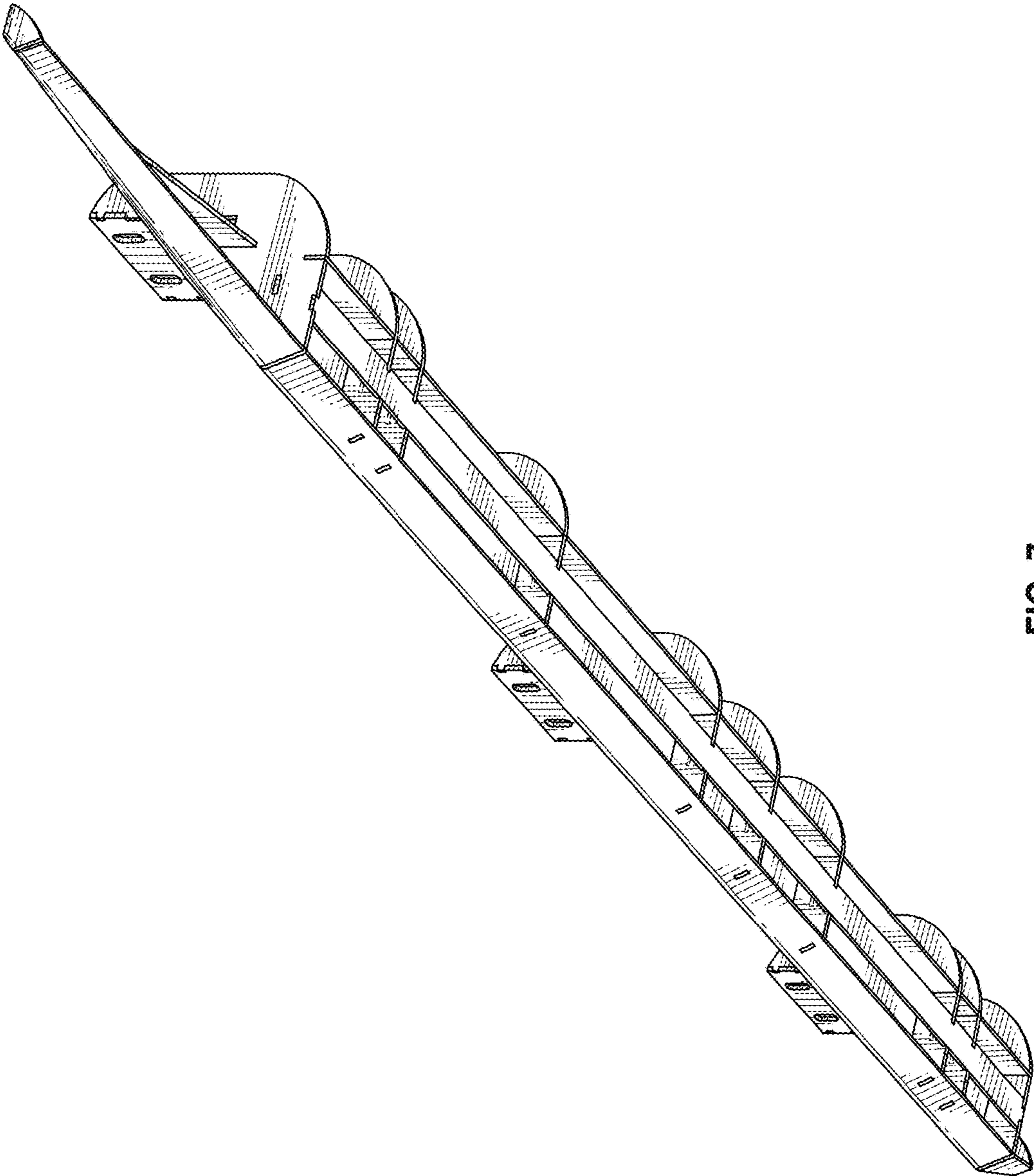


FIG. 7