



US00D789856S

(12) **United States Design Patent**  
**Wolff et al.**

(10) **Patent No.:** **US D789,856 S**

(45) **Date of Patent:** **\*\* Jun. 20, 2017**

(54) **VEHICLE FENDER**

D591,213 S \* 4/2009 Woolley ..... D12/184  
D603,773 S \* 11/2009 Schiavone ..... D12/184  
D607,797 S \* 1/2010 Walter ..... D12/184

(Continued)

(71) Applicant: **Ford Global Technologies, LLC**,  
Dearborn, MI (US)

**FOREIGN PATENT DOCUMENTS**

(72) Inventors: **Max Wolff**, Birmingham, MI (US);  
**Solomon Song**, Farmington Hills, MI  
(US)

JP D1454383 S 11/2012  
JP D1489462 S 2/2015

(Continued)

(73) Assignee: **Ford Global Technologies, LLC**,  
Dearborn, MI (US)

**OTHER PUBLICATIONS**

(\*\*) Term: **15 Years**

Lexus Front Fender Flares, BodyKits.com [online], retrieved from  
the internet on Sep. 21, 2016, <URL: <http://www.bodykits.com/i-24205990-lexus-is-bay-speed-touring-style-wide-front-fender-flares-8882tw-ff.html> >.\*

(Continued)

(21) Appl. No.: **29/544,830**

(22) Filed: **Nov. 6, 2015**

(51) **LOC (10) Cl.** ..... **12-16**

(52) **U.S. Cl.**  
USPC ..... **D12/196**

(58) **Field of Classification Search**  
USPC ..... D12/86, 90, 91, 92, 93, 400, 163, 164,  
D12/167, 181, 184, 202, 196  
CPC ..... B62D 25/02; B62D 25/16; B62D 25/18;  
B62D 25/161  
See application file for complete search history.

*Primary Examiner* — Sheryl Lane  
*Assistant Examiner* — Suzette Murphy

(74) *Attorney, Agent, or Firm* — Brooks Kushman P.C.;  
Damian Porcari

(57) **CLAIM**

The ornamental design for a vehicle fender, as shown and  
described.

**DESCRIPTION**

(56) **References Cited**

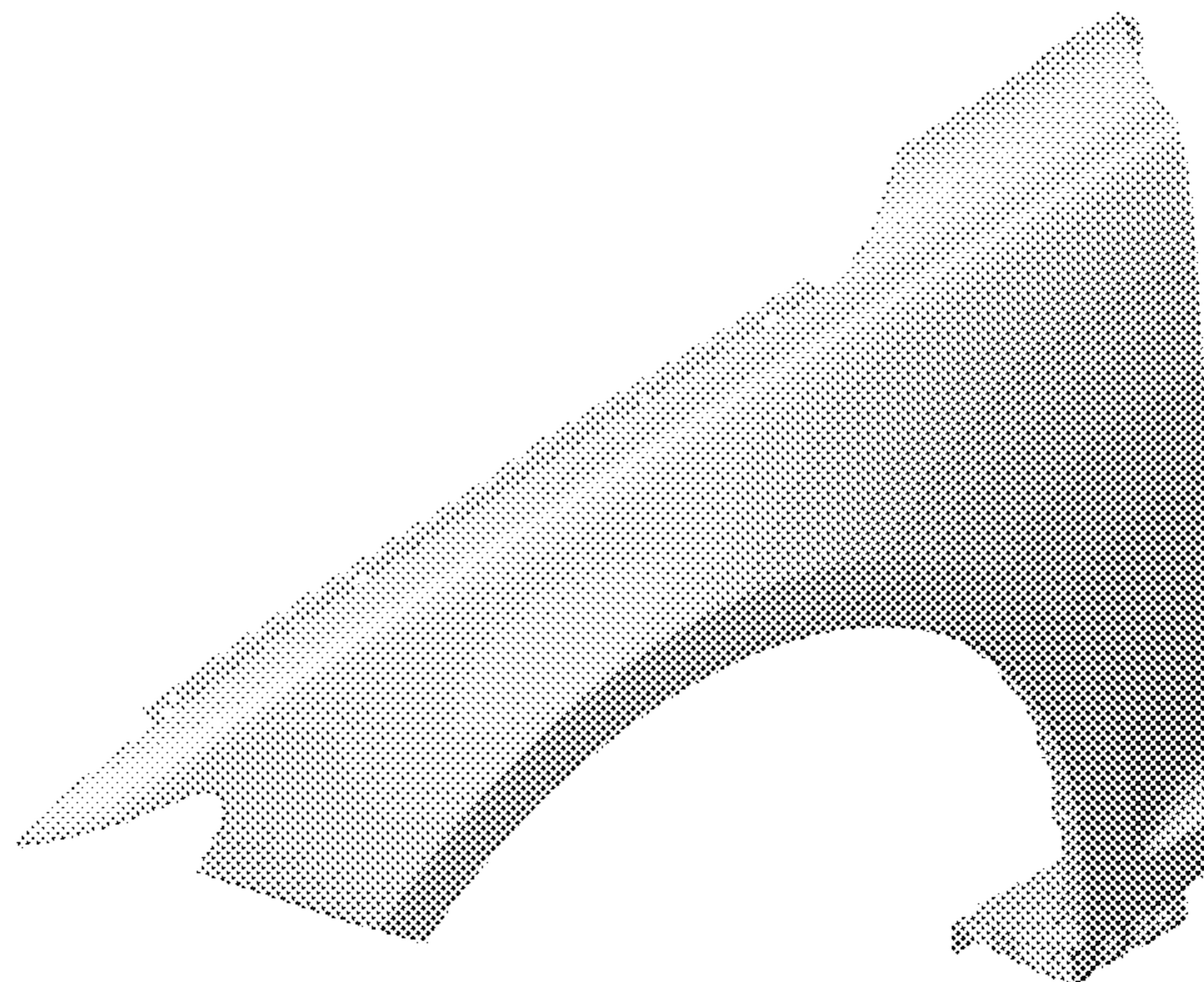
**U.S. PATENT DOCUMENTS**

D317,586 S \* 6/1991 Yoshinao ..... D12/184  
D509,778 S \* 9/2005 Minami ..... D12/184  
D511,486 S \* 11/2005 Nagashima ..... D12/196  
D525,925 S \* 8/2006 Minowa ..... D12/184  
D526,257 S \* 8/2006 Konaka ..... D12/184  
D536,648 S \* 2/2007 Fujimaki ..... D12/184  
D542,200 S \* 5/2007 Levy ..... D12/184  
D555,557 S \* 11/2007 Schiavone ..... D12/184  
D561,667 S \* 2/2008 Platto ..... D12/184  
D581,332 S \* 11/2008 Song ..... D12/184  
D583,736 S \* 12/2008 Schiavone ..... D12/184

FIG. 1 is a top left front perspective view of a left vehicle  
fender. The novel design also includes a right vehicle fender  
which is mirror symmetrical to the fender shown in FIGS.  
1-9, and is therefore not separately illustrated.

FIG. 2 is a top left rear perspective view thereof;  
FIG. 3 is a top right rear perspective view thereof;  
FIG. 4 is a front elevational view thereof;  
FIG. 5 is a rear elevational view thereof;  
FIG. 6 is a left side elevational view thereof;  
FIG. 7 is a right side elevational view thereof;  
FIG. 8 is a top plan view thereof; and,  
FIG. 9 is a bottom plan view thereof.

**1 Claim, 9 Drawing Sheets**



(56)

References Cited

U.S. PATENT DOCUMENTS

D607,798 S \* 1/2010 Weil ..... D12/184  
 D613,219 S \* 4/2010 Elliott ..... D12/184  
 D615,012 S \* 5/2010 Ectors ..... D12/181  
 D626,045 S \* 10/2010 Cogswell ..... D12/181  
 D631,413 S \* 1/2011 Kuze ..... D12/181  
 D659,616 S \* 5/2012 Matsumoto ..... D12/184  
 D669,829 S \* 10/2012 Iwao ..... D12/184  
 D671,871 S \* 12/2012 Ohkoshi ..... D12/184  
 D682,171 S \* 5/2013 Fuchigami ..... D12/184  
 D683,679 S \* 6/2013 Platto ..... D12/184  
 D684,907 S \* 6/2013 Abe ..... D12/184  
 D685,305 S \* 7/2013 Tase ..... D12/184  
 D686,552 S \* 7/2013 Weil ..... D12/184  
 D688,161 S 8/2013 Song et al.  
 D691,529 S \* 10/2013 Minamisawa ..... D12/184  
 D691,530 S 10/2013 Song et al.  
 D691,540 S \* 10/2013 Kwon ..... D12/196  
 D691,935 S \* 10/2013 Kwon ..... D12/196  
 D696,158 S \* 12/2013 Akojima ..... D12/92  
 D697,843 S \* 1/2014 Suga ..... D12/184  
 D699,155 S \* 2/2014 Okue ..... D12/91  
 D699,644 S \* 2/2014 Futschik ..... D12/181  
 D700,107 S \* 2/2014 Badstuebner ..... D12/93  
 D704,607 S \* 5/2014 Thurber ..... D12/184  
 D707,600 S \* 6/2014 Johnson ..... D12/184  
 D708,559 S \* 7/2014 Kim ..... D12/184  
 D711,798 S \* 8/2014 O'Donnell ..... D12/184  
 D712,811 S \* 9/2014 Selvaag ..... D12/184  
 D716,708 S \* 11/2014 Beermann ..... D12/184  
 D716,709 S \* 11/2014 Thole ..... D12/184  
 D718,687 S \* 12/2014 Ishizuka ..... D12/184  
 D719,074 S \* 12/2014 Koizumi ..... D12/184

D740,188 S \* 10/2015 Blanski ..... D12/184  
 D748,023 S \* 1/2016 Nissl ..... D12/184  
 D749,026 S \* 2/2016 Smith ..... D12/184  
 D749,027 S \* 2/2016 McMahan ..... D12/184  
 D750,001 S \* 2/2016 Thole ..... D12/184  
 D755,096 S \* 5/2016 Wolff ..... D12/184  
 D756,869 S \* 5/2016 McMahan ..... D12/184  
 D762,151 S \* 7/2016 Luk ..... D12/184  
 D763,753 S \* 8/2016 Hammoud ..... D12/184  
 D764,362 S \* 8/2016 Pevovar ..... D12/184  
 D766,149 S \* 9/2016 Kim ..... D12/184  
 2015/0344079 A1\* 12/2015 Stojkovic ..... B62D 27/023  
 296/187.09

FOREIGN PATENT DOCUMENTS

TW D141492 S1 7/2011  
 TW D153512 51 5/2013  
 TW D166116 S 2/2015

OTHER PUBLICATIONS

Ford Fender, Discount Body Parts [online], Retrieved from the internet on Sep. 14, 2016, <URL: <http://www.discountbodyparts.com/details/Replacement/Fender/FD5201Q.html> >.\*  
<http://www.fordinsideneews.com> 2017 Lincoln MKZ on the streets, dated Apr. 15, 2015.  
<http://www.caranddriver.com/news/2017-lincoln-mkz-spy-photos-news> by: Alexander Stoklosa dated May 2015.  
 Taiwan Notice of Allowance and English translation for Application No. 105302098, dated Sep. 21, 2016, 4 pages.

\* cited by examiner





Figure 1



Figure 2

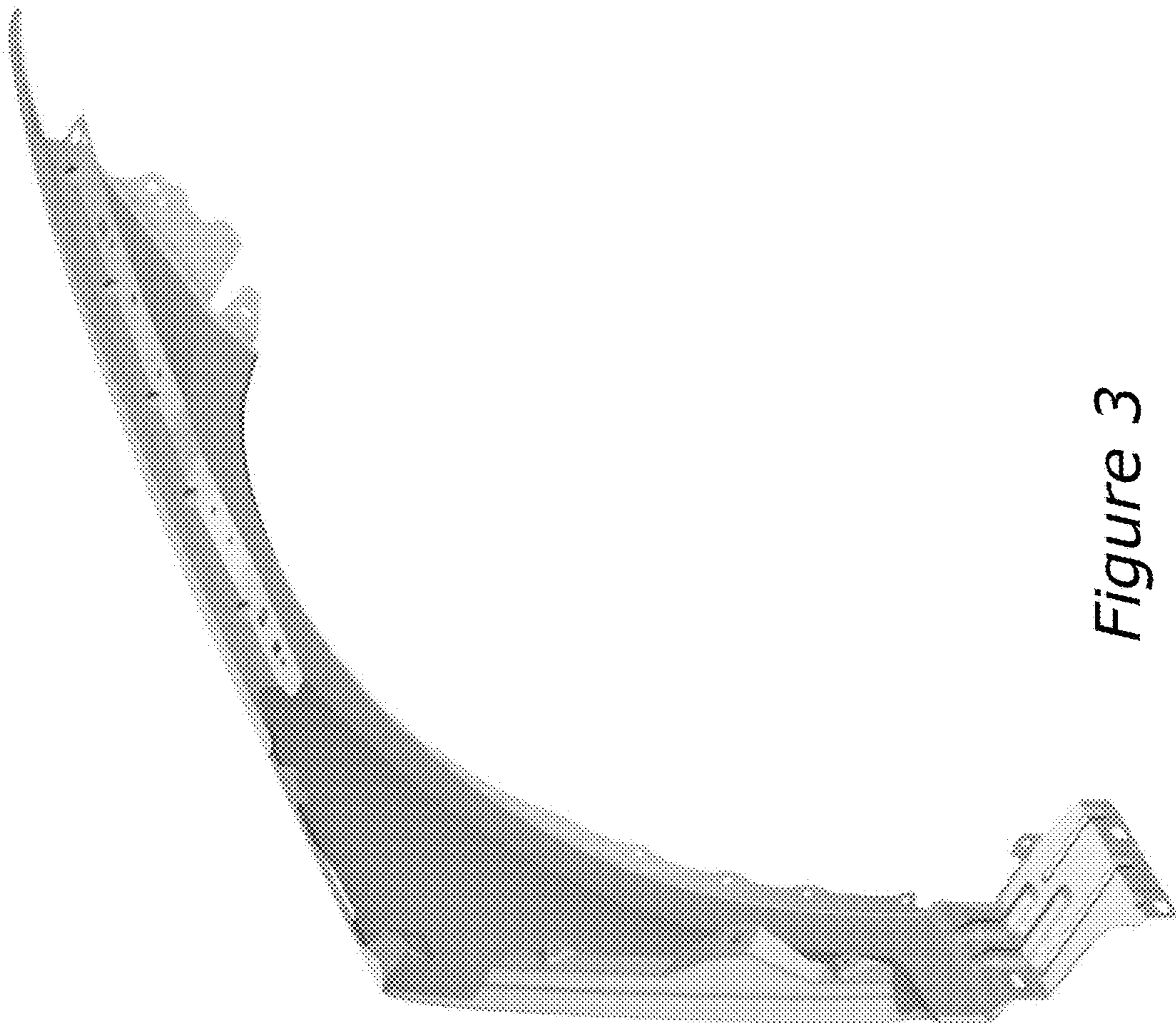
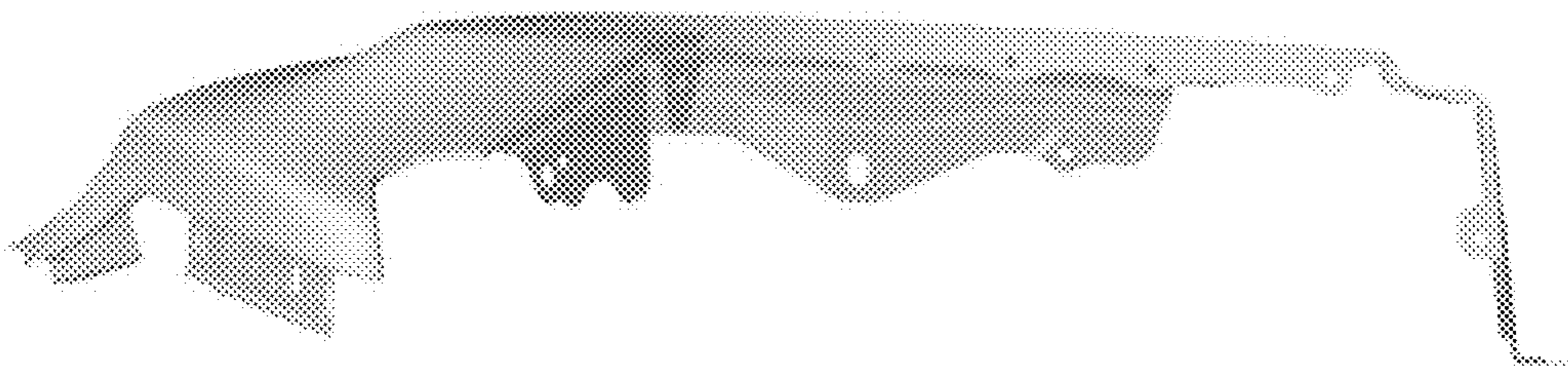


Figure 3

Figure 4





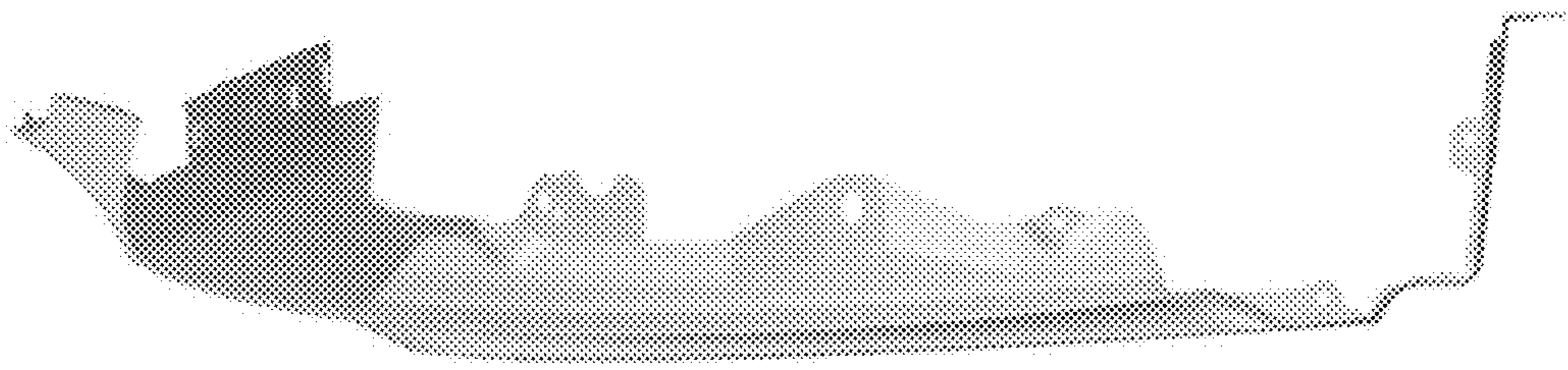


Figure 5



Figure 6



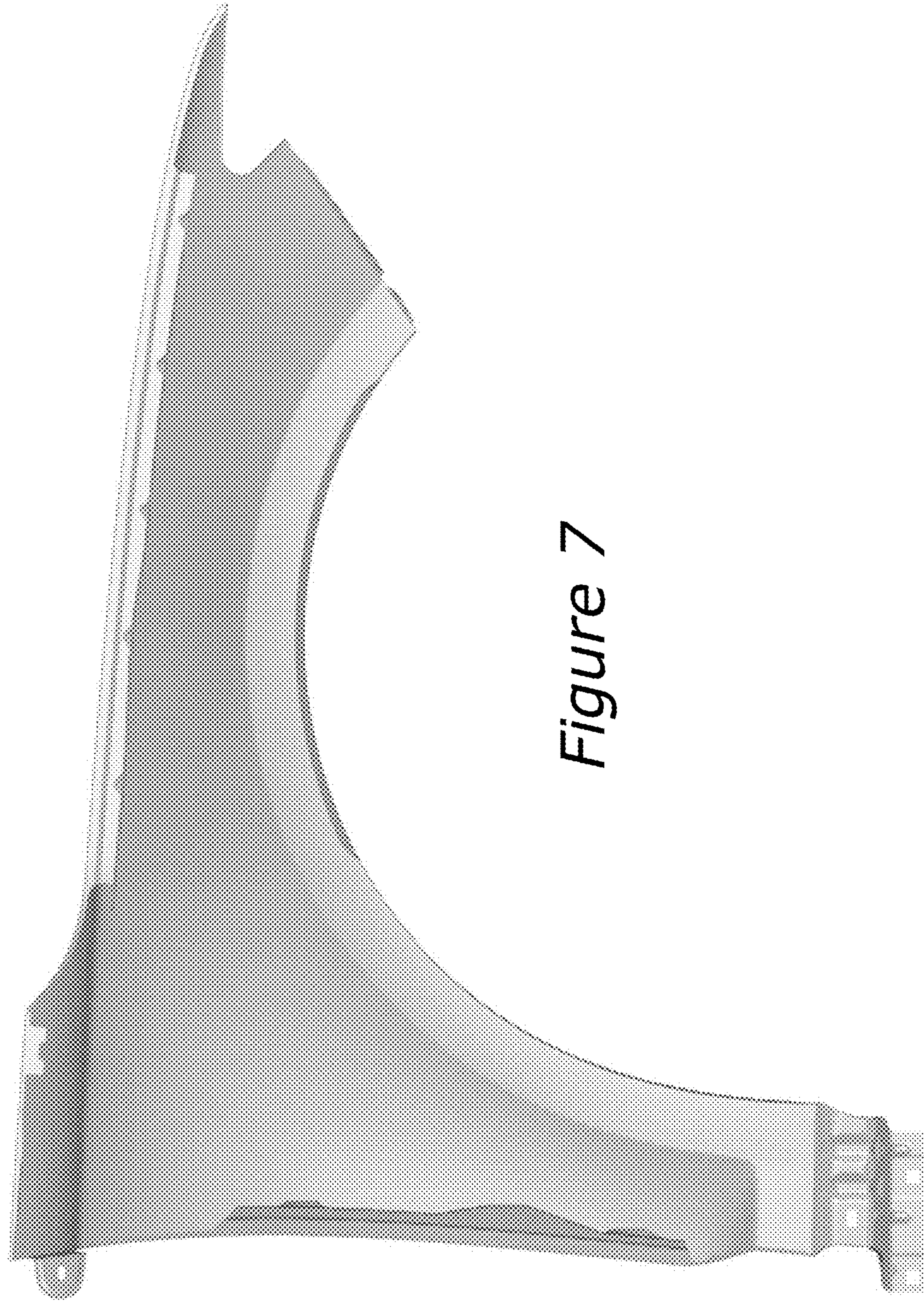


Figure 7

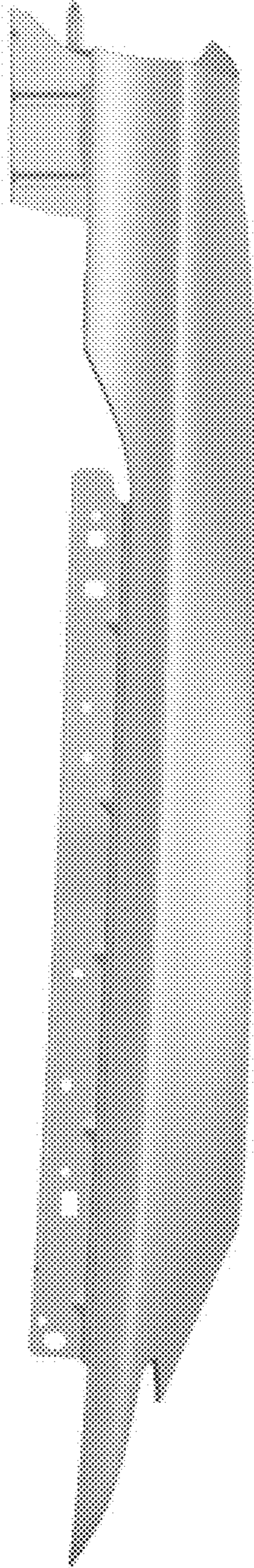


Figure 8

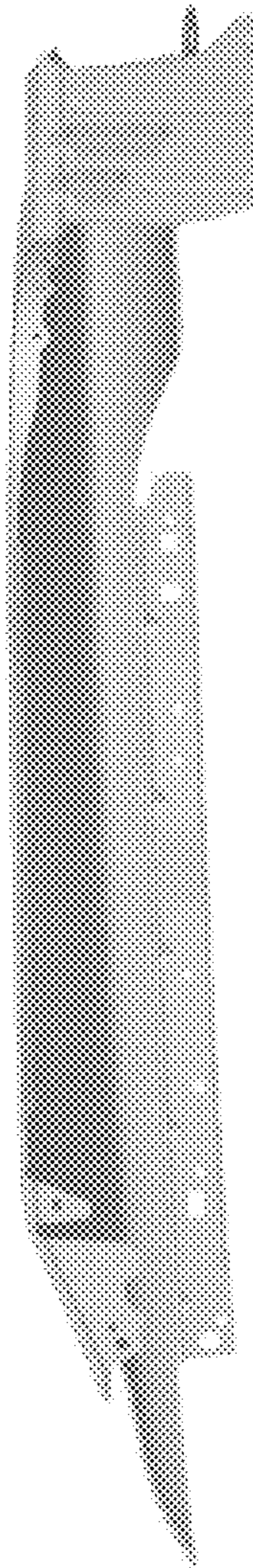


Figure 9