



US00D789853S

(12) **United States Design Patent**  
**Morrison**

(10) **Patent No.:** **US D789,853 S**

(45) **Date of Patent:** **\*\* Jun. 20, 2017**

(54) **CONTROLLER DOCK**

(71) Applicant: **Robert Morrison**, Walworth, NY (US)

(72) Inventor: **Robert Morrison**, Walworth, NY (US)

(73) Assignee: **Morrison Innovations LLC**, Fairport, NY (US)

(\*\*) Term: **15 Years**

(21) Appl. No.: **29/546,715**

(22) Filed: **Nov. 25, 2015**

(51) **LOC (10) Cl.** ..... **12-16**

(52) **U.S. Cl.**  
USPC ..... **D12/174**

(58) **Field of Classification Search**  
USPC ..... D12/114, 121, 125, 174, 179, 180, 203,  
D12/400, 415, 16.1  
CPC ..... Y10T 74/20534; Y10T 74/20888; Y10T  
428/24008; Y10T 428/169; Y10T 74/209;  
Y10T 74/20912; Y10T 428/24479; Y10T  
428/24355; Y10T 428/24025; Y10T  
428/24017; Y10T 428/24; B32B  
2266/0235; B32B 2266/0278; B32B  
2307/102; B32B 2419/04; B32B 2471/04;  
B64C 2201/024; B64C 2201/042; B64C  
2201/146; B64C 2201/201; G05D 1/06  
See application file for complete search history.

(56) **References Cited**

**U.S. PATENT DOCUMENTS**

3,534,374	A	*	10/1970	Johnson	.....	H01Q 3/36 342/371
D264,704	S	*	6/1982	Rehberg	.....	D12/114
D334,722	S	*	4/1993	Katz	.....	D10/98
5,289,997	A	*	3/1994	Harris	.....	B62D 35/001 102/501
D416,422	S	*	11/1999	Green	.....	D6/559
D422,972	S	*	4/2000	King	.....	D14/341
D472,728	S	*	4/2003	Harris	.....	D6/406.3

D519,132	S	*	4/2006	Laux	.....	D15/28
D525,409	S	*	7/2006	Cantrill	.....	D12/192
D539,354	S	*	3/2007	Mak	.....	D21/329
D551,230	S	*	9/2007	Lau	.....	D14/401
D575,713	S	*	8/2008	Ratcliffe	.....	D12/197
D584,312	S	*	1/2009	Bishop	.....	D14/412
D623,186	S	*	9/2010	Ludlum	.....	D14/371
D628,216	S	*	11/2010	Ulbrich	.....	D15/28
D635,497	S	*	4/2011	Chambers	.....	D12/192

(Continued)

**OTHER PUBLICATIONS**

Aerius controller, image post date Aug. 15, 2015, site visited Jun. 16, 2016, (online), <<http://www.aeriographer.com/axis-drones-introduces-a-new-quadcopter-no-bigger-than-a-quarter/>>.\*

(Continued)

*Primary Examiner* — Kevin Rudzinski

*Assistant Examiner* — Sean D Lough

(74) *Attorney, Agent, or Firm* — Heslin Rothenberg Farley & Mesiti P.C.

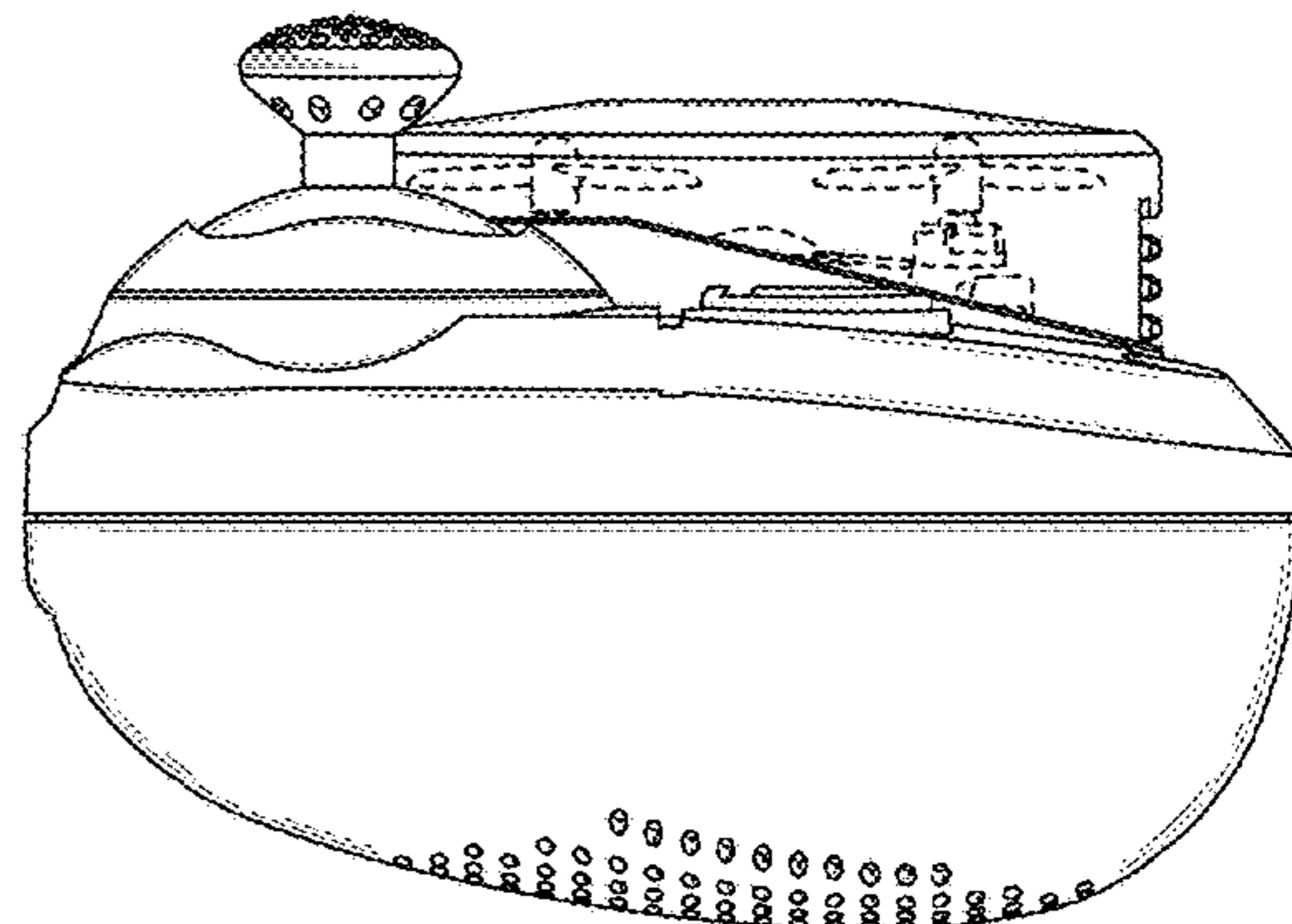
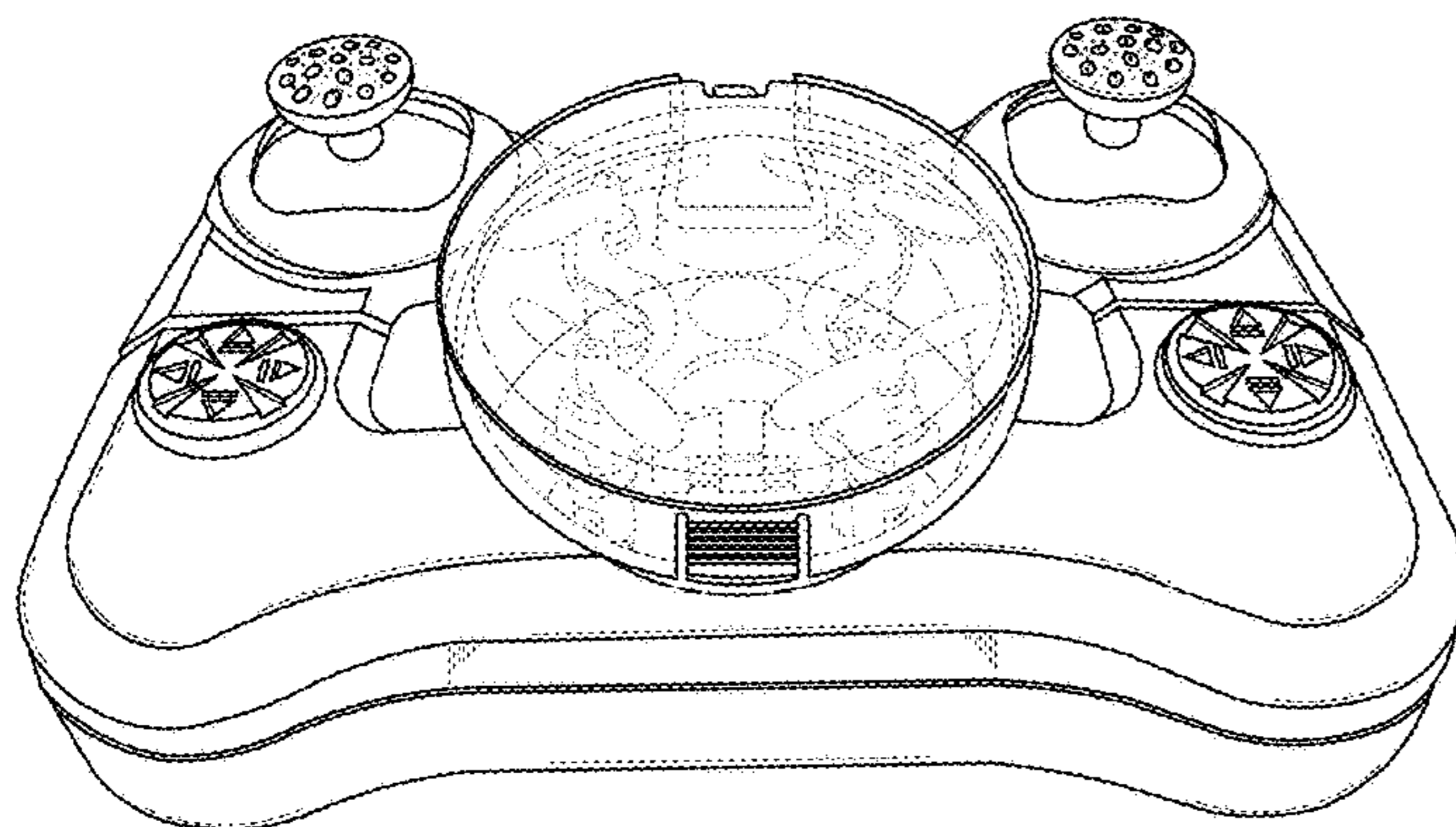
(57) **CLAIM**

The ornamental design for a controller dock, as shown and described.

**DESCRIPTION**

FIG. 1 is a top front perspective view for a controller dock showing my new design; FIG. 2 is a front elevational view thereof; FIG. 3 is a rear elevational view thereof; FIG. 4 is a left side elevational view thereof; FIG. 5 is a right side elevational view thereof; FIG. 6 is a top plan view thereof; and, FIG. 7 is a bottom plan view thereof. The broken lines illustrated within the bounds of the claimed design in FIGS. 1 through 7 have been shown for the purpose of illustrating a portion of the controller dock that forms no part of the claimed design.

**1 Claim, 7 Drawing Sheets**





(56)

References Cited

U.S. PATENT DOCUMENTS

D648,721	S *	11/2011	Wong	.....	D14/345
D655,147	S *	3/2012	Zorovich	.....	D8/107
D683,043	S *	5/2013	Doyle	.....	D24/209
D698,354	S *	1/2014	Mak	.....	D14/341
D698,355	S *	1/2014	Cheung	.....	D14/341
D704,112	S *	5/2014	Salaverry	.....	D12/181
D719,982	S *	12/2014	Alpsten	.....	D15/28
D722,634	S *	2/2015	Hinkel	.....	D16/203
D723,548	S *	3/2015	Cheung	.....	D14/341
D723,549	S *	3/2015	Kwong	.....	D14/341
D723,551	S *	3/2015	Fu	.....	D14/341
D723,573	S *	3/2015	Padro	.....	D14/447
D728,187	S *	4/2015	Zeppetzauer	.....	D34/35
D728,634	S *	5/2015	Alpsten	.....	D15/28
D734,750	S *	7/2015	Jensen	.....	D14/415
D737,539	S *	8/2015	Zeppetzauer	.....	D34/35
D739,319	S *	9/2015	Montgomery	.....	D12/180
9,139,308	B2 *	9/2015	Hayashi	.....	G09F 21/06
D742,936	S *	11/2015	Ewringmann	.....	D15/28
D744,917	S *	12/2015	Persson	.....	D12/179
D749,930	S *	2/2016	Sanchez	.....	D8/310
D751,548	S *	3/2016	Cheung	.....	D14/341
D752,115	S *	3/2016	Ewringmann	.....	D15/28
D752,658	S *	3/2016	Ewringmann	.....	D15/28
D754,119	S *	4/2016	Kirzinger	.....	D14/258
D754,120	S *	4/2016	Kirzinger	.....	D14/258
D754,616	S *	4/2016	Ewringmann	.....	D13/164
D756,891	S *	5/2016	Roth	.....	D12/418
D759,731	S *	6/2016	Roemer	.....	D15/28
D760,228	S *	6/2016	Asano	.....	D14/412
D760,581	S *	7/2016	Pace	.....	D8/382
9,387,927	B2 *	7/2016	Rischmuller	.....	B64C 39/024
D764,386	S *	8/2016	Ahn	.....	D12/419
D764,459	S *	8/2016	Kwong	.....	D14/341
2002/0123297	A1 *	9/2002	Hornsby	.....	A63F 1/04 446/484
2006/0144994	A1 *	7/2006	Spirov	.....	B60V 1/06 244/62
2014/0099853	A1 *	4/2014	Condon	.....	A63H 30/04 446/37
2015/0075318	A1 *	3/2015	Johnson	.....	G05G 1/44 74/514
2016/0179096	A1 *	6/2016	Bradlow	.....	B64C 19/00 701/8
2016/0236850	A1 *	8/2016	Leser	.....	A47G 19/2288

OTHER PUBLICATIONS

Holy Stone mini RC Quadcopter 720p controller, image post date Aug. 10, 2015, site visited Jun. 16, 2016, (online), <<http://heavy.com/tech/2015/08/top-best-toy-drones-under-100-syma-hubsan-cheap-toys/>>.\*  
 Aerius Skeye Pico controller, image post date Nov. 3, 2015, site visited Jun. 16, 2016, (online), <<http://uav.huanqiu.com/yyc/2015-11/7898094.html>>.\*

MOTA JETJAT Nano—YouTube, image post date Sep. 25, 2015, site visited Dec. 23, 2016, (online), <<https://www.youtube.com/watch?v=8t2CplUbzGg>>.\*  
 Floreon FX 10 Mini—gearbest, image post date Sep.-Oct. 2015, site visited Dec. 23, 2016, (online), <[http://www.gearbest.com/rc-quadcopters/pp\\_198339.html](http://www.gearbest.com/rc-quadcopters/pp_198339.html)>.\*  
 MOTA JetJat Nano—groupon, image post date Nov. 3, 2015, site visited Dec. 23, 2016, (online), <<https://www.groupon.com/deals/gg-ca-mota-jetjat-nano-or-nano-c-camera-drone>>.\*  
 Cheerson CX Stars 2.4G 4CH 6 Axis Gyro RC Mini Quadcopter Pocket Drone—Tin Eye, image post date Aug. 26, 2015, site visited Dec. 23, 2016, (online), <<https://www.tineye.com/search/7ad93a177033d35611ee65ecdf173edb02db0efe/>>.\*  
 Mota Jet Jat Nano Drone—YouTube, image post date Nov. 25, 2015, site visited Dec. 23, 2016, (online), <<https://www.youtube.com/watch?v=S4WuH4BGyQs>>.\*  
 Jeff's Controller Collection—YouTube, image post date Apr. 4, 2013, site visited Dec. 23, 2016, (online), <<https://www.youtube.com/watch?v=GFcmGsqfx5E>>.\*  
<http://www.rotordronemag.com/wp-content/uploads/2015/05/Wallet-Drone-9.jpg>.  
<http://beginnerflyer.com/wp-content/uploads/2015/08/Case.png>.  
[http://cdn.shopify.com/s/files/1/0339/2405/products/H-X3\\_04\\_large.jpg?v=1389293244](http://cdn.shopify.com/s/files/1/0339/2405/products/H-X3_04_large.jpg?v=1389293244).  
 “Aerius Controller”, by Aerix Drones, Found Online [Mar. 21, 2016] [https://cdn.shopify.com/s/files/1/0792/1025/products/Orange\\_Aerius.jpg?v=1475521615](https://cdn.shopify.com/s/files/1/0792/1025/products/Orange_Aerius.jpg?v=1475521615).  
 “Aerix TURBO-X Drone controller”, by Aerix Drones, Found Online [Mar. 21, 2016] [https://cdn.shopify.com/s/files/1/10792/1025/products/TURBO-X\\_Drone.jpg?v=1475521773](https://cdn.shopify.com/s/files/1/10792/1025/products/TURBO-X_Drone.jpg?v=1475521773).  
 “Aerix Wallet Drone controller”, by Aerix Drones, Found Online [Mar. 21, 2016] [https://cdn.shopify.com/s/files/1/0792/1025/products/20150415135843-IMG\\_3509.jpeg?v=1437066165](https://cdn.shopify.com/s/files/1/0792/1025/products/20150415135843-IMG_3509.jpeg?v=1437066165).  
 “Aerix Black Talon controller” by Aerix Drones, Found Online [Mar. 21, 2016] [https://cdn.shopify.com/s/files/1/0792/1025/products/Black\\_Talon\\_WiFi\\_VR\\_Goggles.jpg?v=1478716414](https://cdn.shopify.com/s/files/1/0792/1025/products/Black_Talon_WiFi_VR_Goggles.jpg?v=1478716414).  
 “FQ777-124 Pocket Drone” by FQ, Found Online [Mar. 21, 2016] <http://pocketdronefq777.com/wp-content/uploads/2015/07/FQ777-124-rnode1-remote.jpg>.  
 “6 Propellers Mini Pocket Drone” by Mokasi, Found Online [Oct. 12, 2016] [https://images-na.ssl-images-amazon.com/images/I/71hkRfWjlnL.\\_SL1500\\_.jpg](https://images-na.ssl-images-amazon.com/images/I/71hkRfWjlnL._SL1500_.jpg).  
 “Jetjat Nano Drone Quadcopter Controller” by Mota, Found Online [Oct. 12, 2016] [https://images-na.ssl-images-amazon.com/images/I/61rmCU%2BXZFL.\\_SL1500\\_.jpg](https://images-na.ssl-images-amazon.com/images/I/61rmCU%2BXZFL._SL1500_.jpg).  
 “Mini Quadcopter Pocket Drone” by Cheerson, Found Online [Oct. 12, 2016] [https://images-na.ssl-images-amazon.com/images/I/51jRlfcogqL.\\_SL1100\\_.jpg](https://images-na.ssl-images-amazon.com/images/I/51jRlfcogqL._SL1100_.jpg).  
 US Trademark Serial No. 87150849; Mark—Aerix Drones.  
 US Trademark Serial No. 87150152; Mark—Vidius.  
 US Trademark Serial No. 86854689; Mark—Aerius.  
 US Trademark Registration No. 4810458; Mark—World’s Smallest Quadcopter.

\* cited by examiner

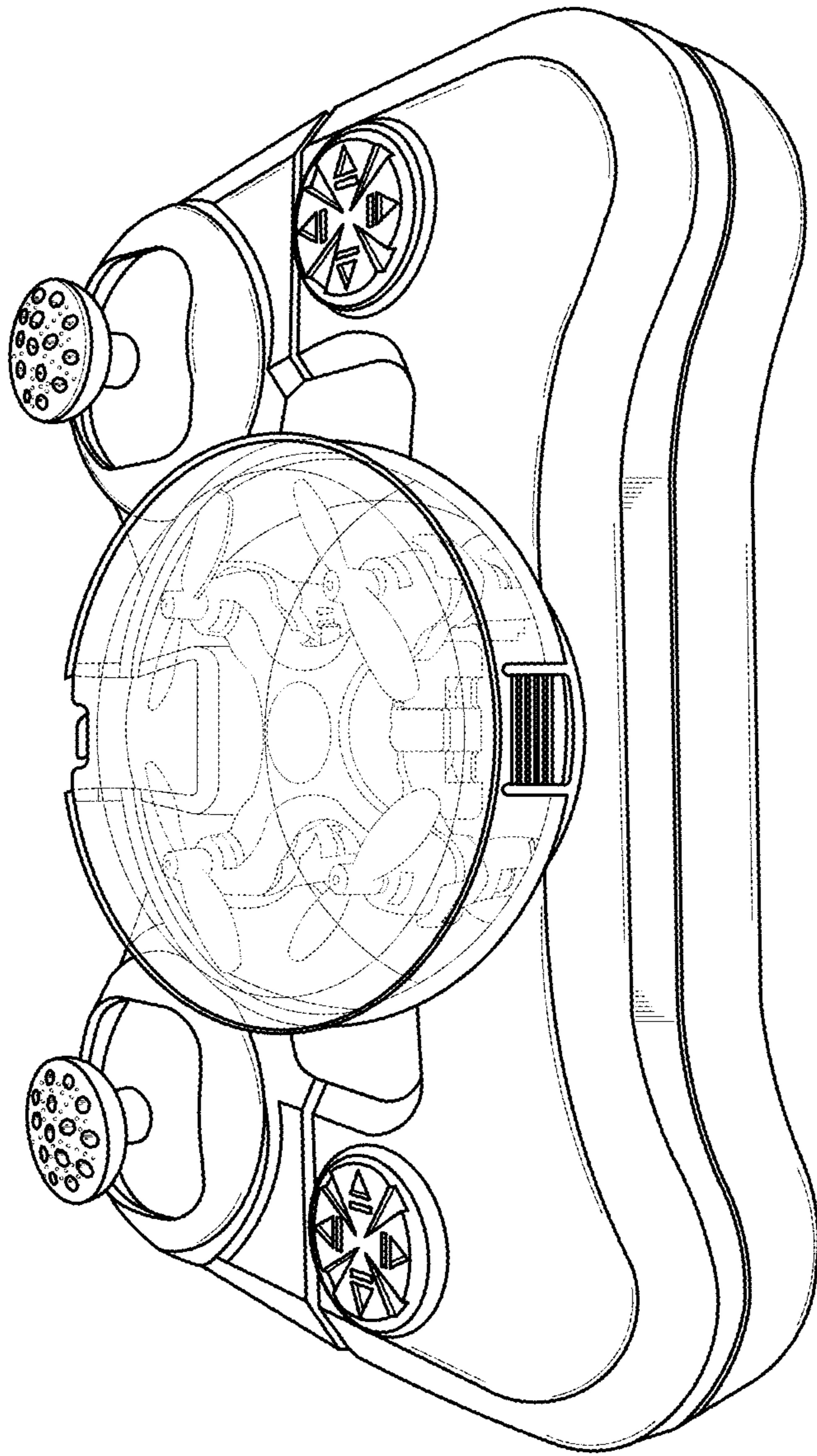


FIG. 1

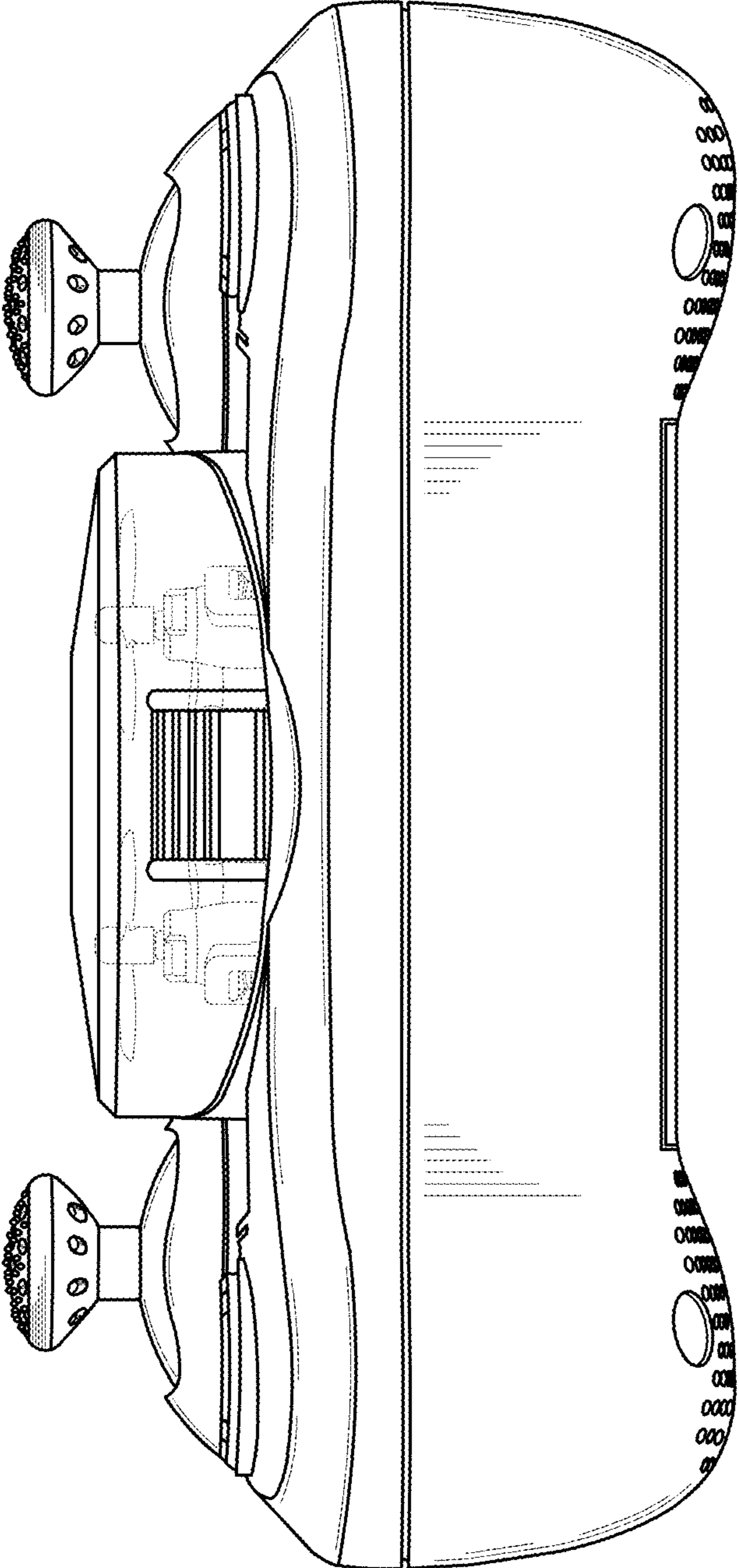


FIG. 2



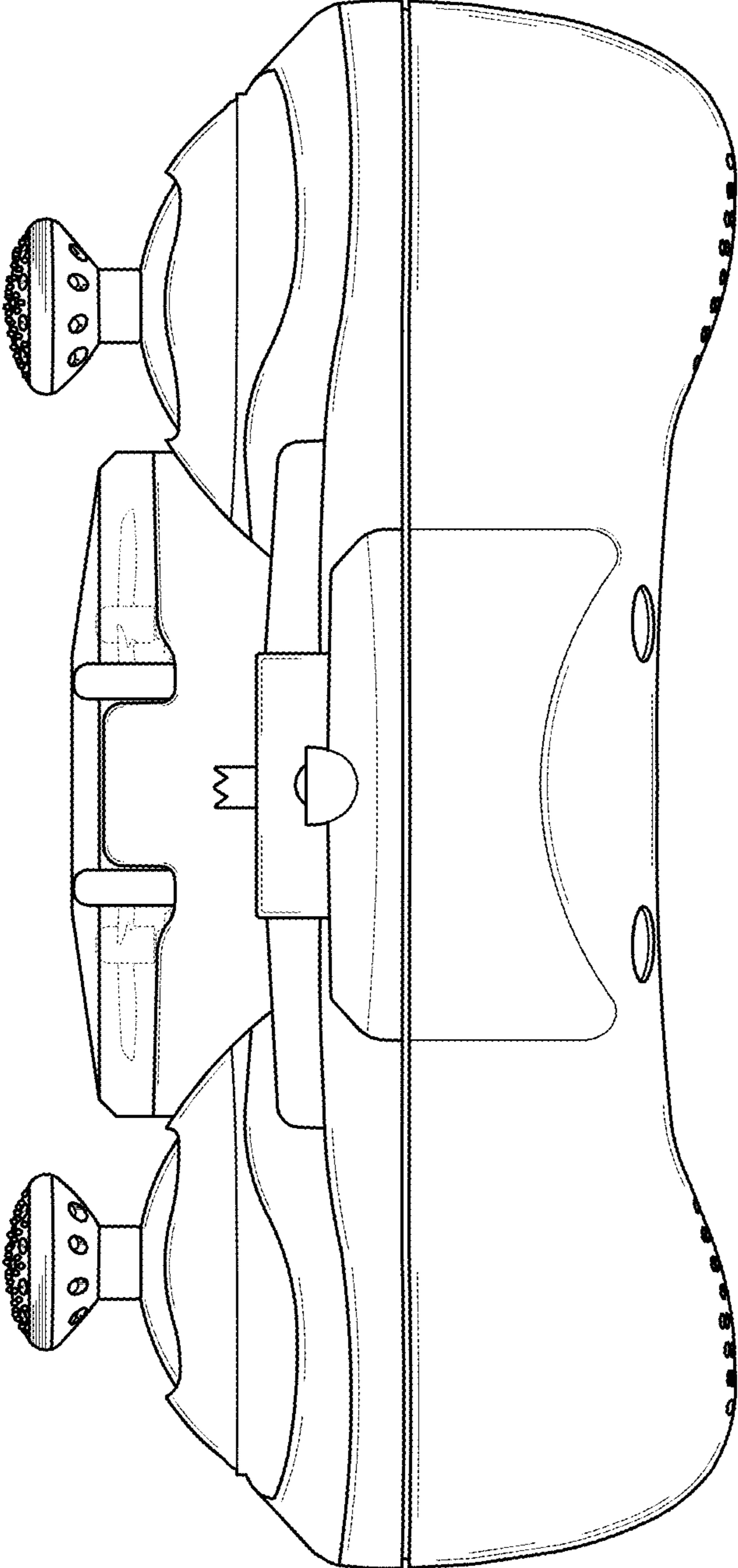


FIG. 3

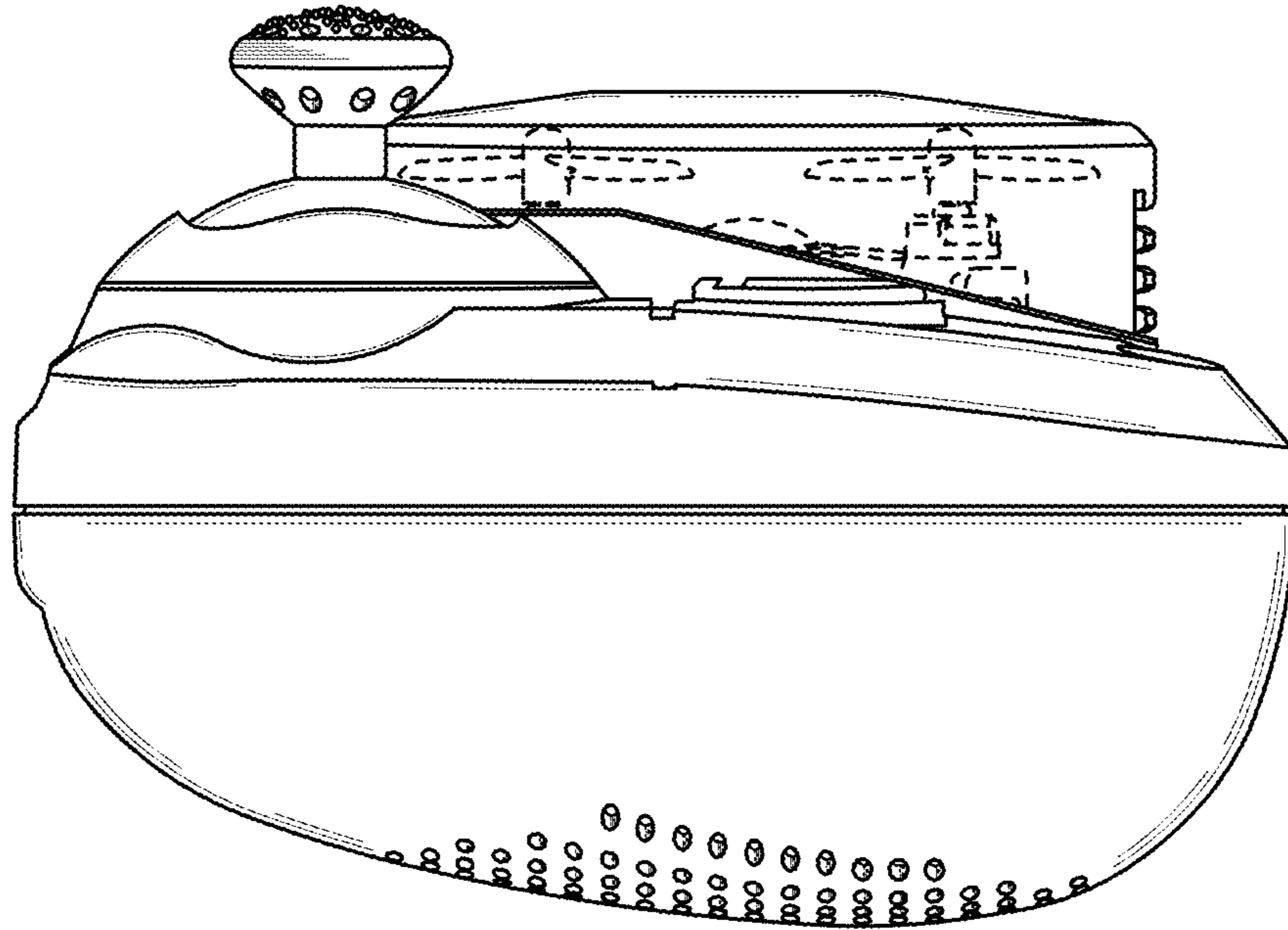
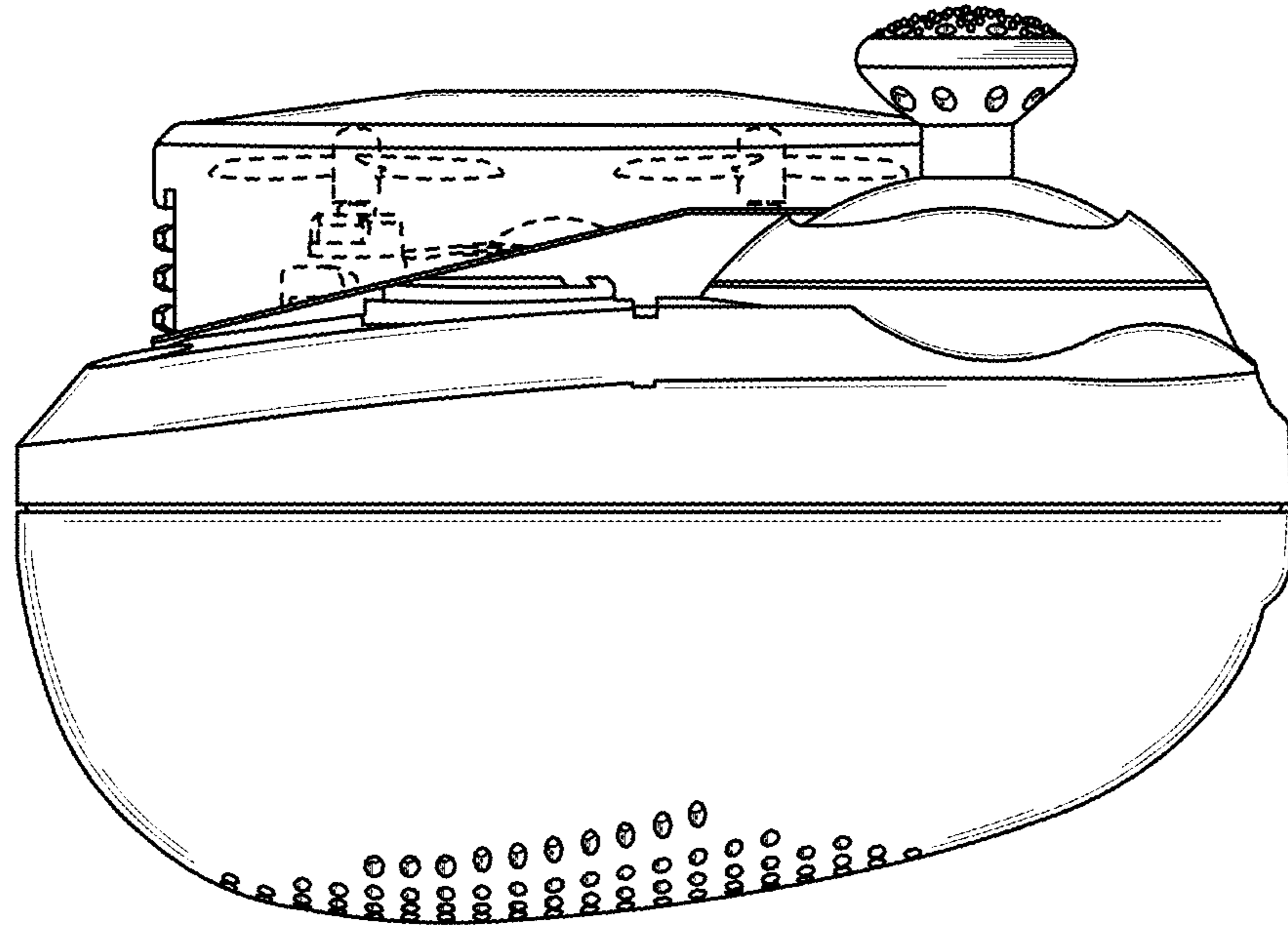


FIG. 4



**FIG. 5**

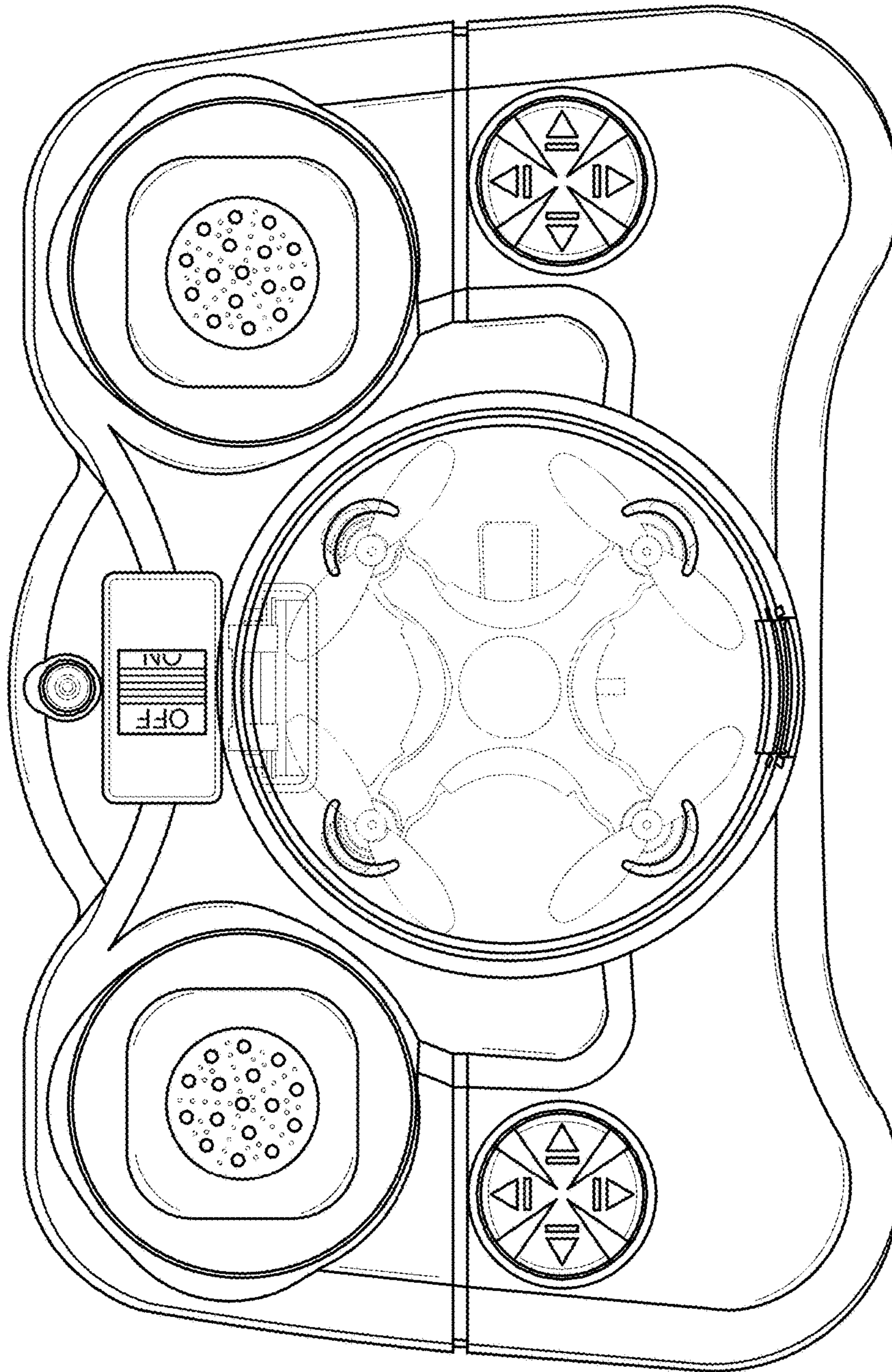


FIG. 6



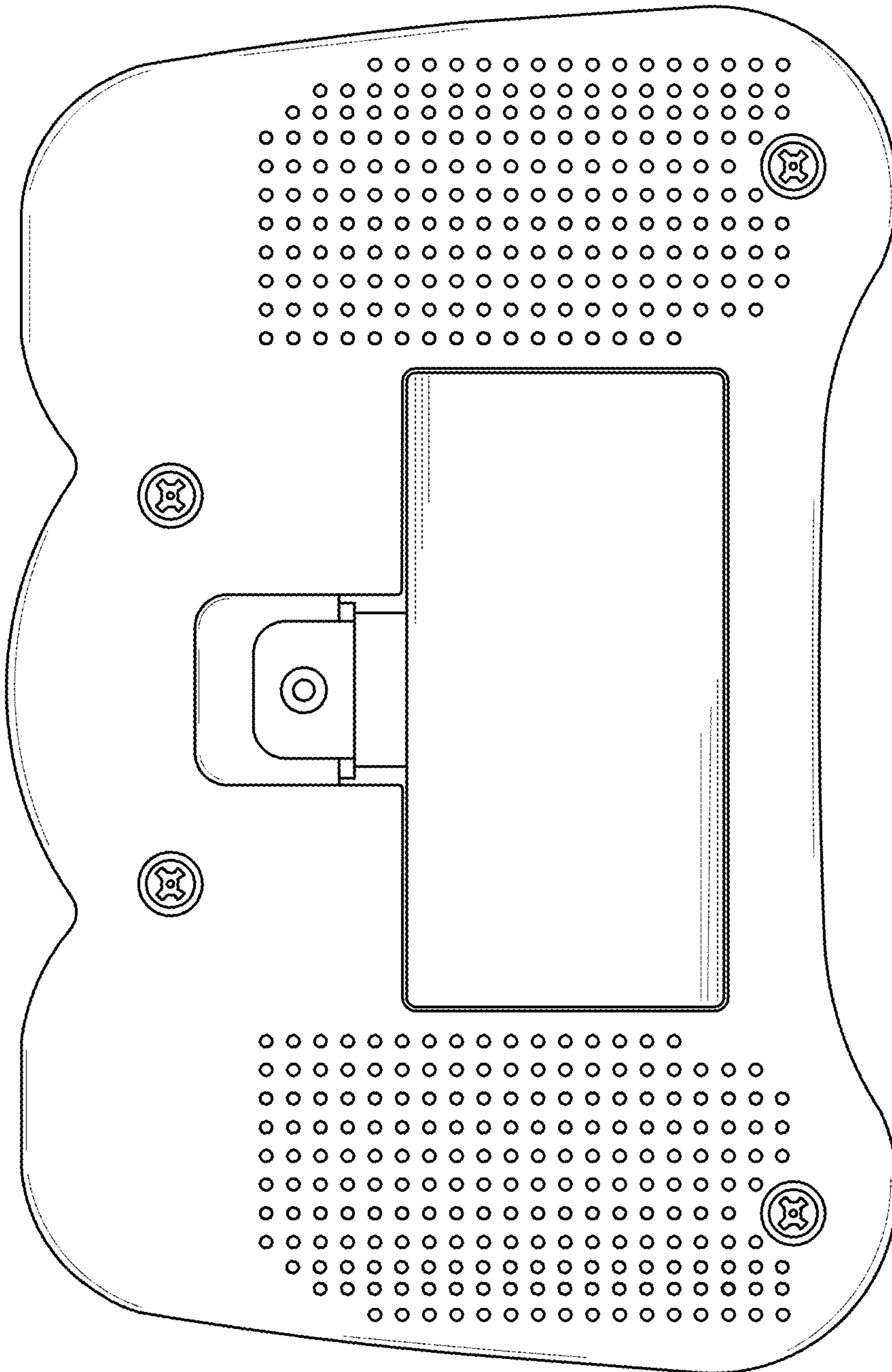


FIG. 7