

US00D789852S

(12) **United States Design Patent**  
**Frykholm**

(10) **Patent No.:** **US D789,852 S**

(45) **Date of Patent:** **\*\* Jun. 20, 2017**

(54) **FRONT BUMPER PART OF A MOTOR VEHICLE**

(71) Applicant: **Volvo Bussar AB**, Göteborg (SE)

(72) Inventor: **Dan Frykholm**, Göteborg (SE)

(73) Assignee: **Volvo Bussar AB**, Göteborg (SE)

(\*\*) Term: **15 Years**

(21) Appl. No.: **29/532,800**

(22) Filed: **Jul. 10, 2015**

(30) **Foreign Application Priority Data**

Jan. 29, 2015 (EM) ..... 002623058-0002

(51) **LOC (10) Cl.** ..... **12-16**

(52) **U.S. Cl.**  
USPC ..... **D12/172; D12/169**

(58) **Field of Classification Search**  
USPC ..... D12/86, 90, 91, 92, 163, 164, 169, 171,  
D12/172, 196, 216  
CPC ..... B60R 19/02; B60R 19/18; B60R 19/24;  
B60R 19/56; B60R 2019/007  
See application file for complete search history.

(56) **References Cited**

**U.S. PATENT DOCUMENTS**

D247,745 S \* 4/1978 Tixier ..... D12/172  
D281,152 S \* 10/1985 Luthe ..... D12/167

D281,873 S \* 12/1985 Milton ..... D12/172  
D295,845 S \* 5/1988 Soma ..... D12/172  
D304,569 S \* 11/1989 Brunger ..... D12/172  
D316,698 S \* 5/1991 Hensley ..... D12/172  
D422,541 S \* 4/2000 Richter ..... D12/167  
D423,429 S \* 4/2000 Hickman ..... D12/169  
D621,752 S \* 8/2010 Angelo ..... D12/169  
D653,999 S \* 2/2012 Peltola ..... D12/169  
D684,508 S \* 6/2013 Peltola ..... 293/102  
D694,678 S \* 12/2013 Campbell ..... D12/169  
D710,767 S \* 8/2014 Heilaneh ..... D12/169  
RE46,247 E \* 12/2016 Hanson ..... D12/169  
D775,018 S \* 12/2016 Frykholm ..... D12/169  
D780,630 S \* 3/2017 Frykholm ..... D12/84

\* cited by examiner

*Primary Examiner* — Darlington Ly

(74) *Attorney, Agent, or Firm* — Tucker Ellis LLP

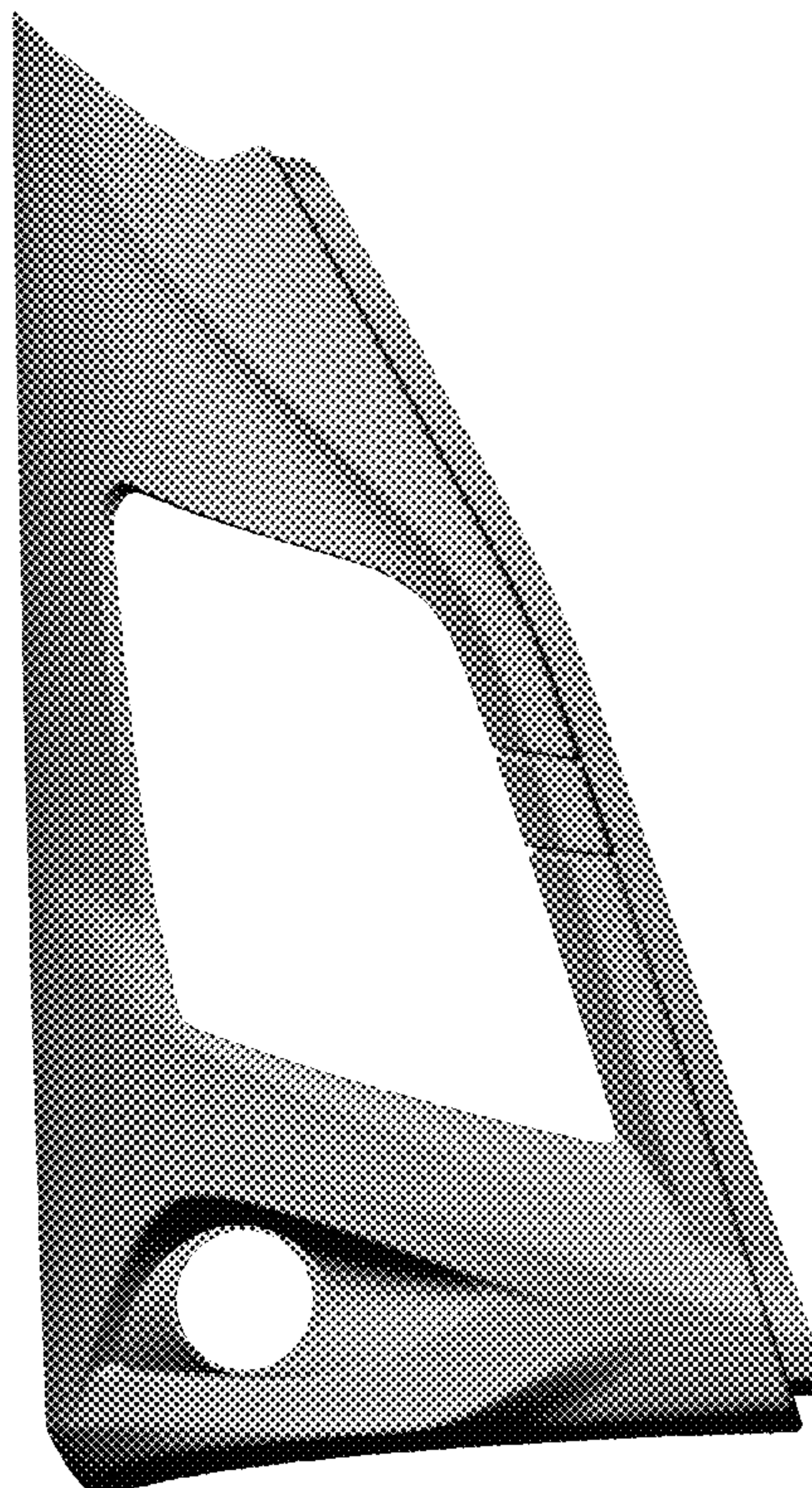
(57) **CLAIM**

The ornamental design for a front bumper part of a motor vehicle, as shown and described.

**DESCRIPTION**

FIG. 1 is a front and left side perspective view of a front bumper part of a motor vehicle showing my new design; FIG. 2 is a front elevation view thereof; FIG. 3 is a rear elevation view thereof; FIG. 4 is a right side elevation view thereof; FIG. 5 is a left side elevation view thereof; FIG. 6 is a top plan view thereof; and, FIG. 7 is a bottom plan view thereof.

**1 Claim, 7 Drawing Sheets**





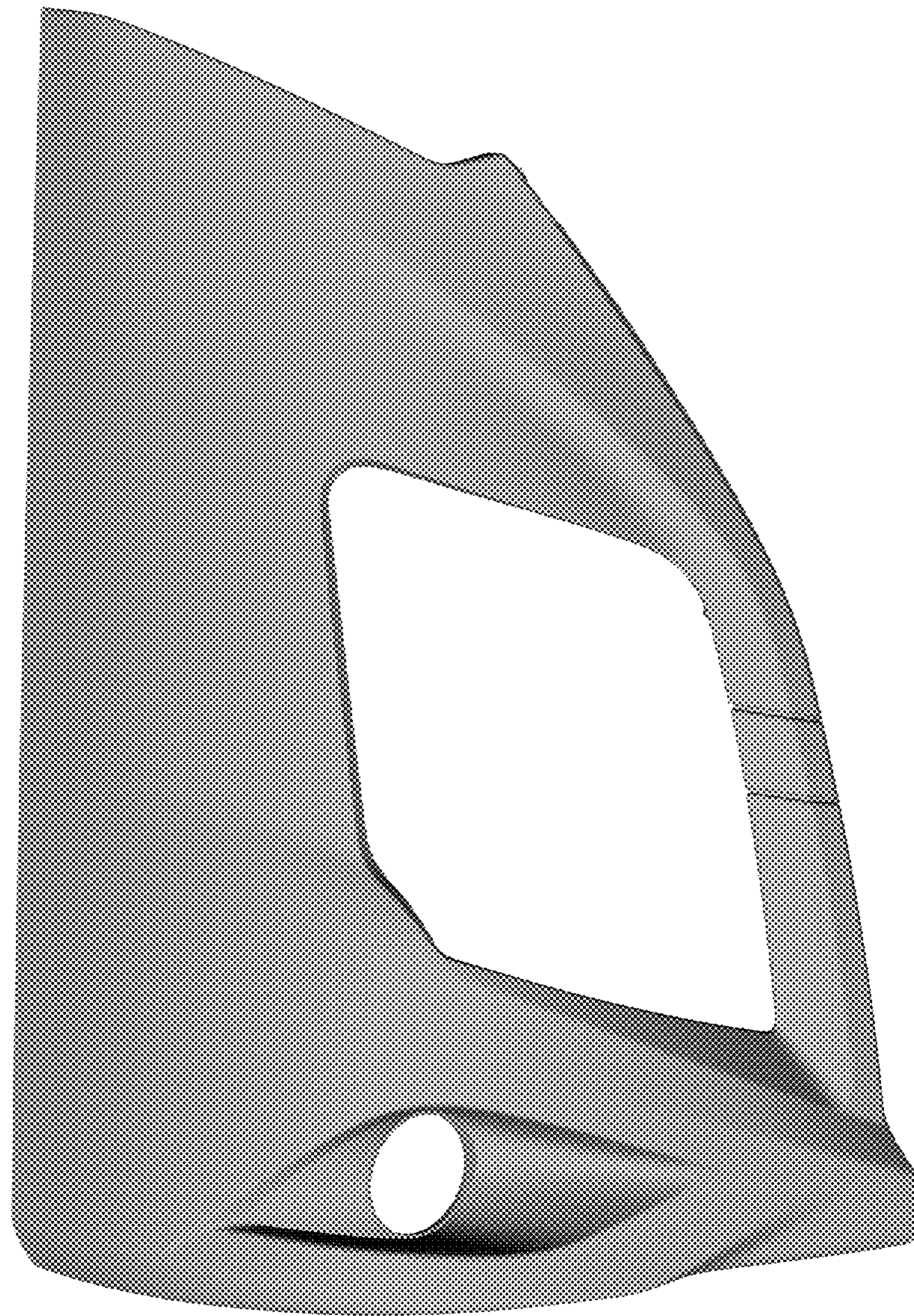


FIG. 1



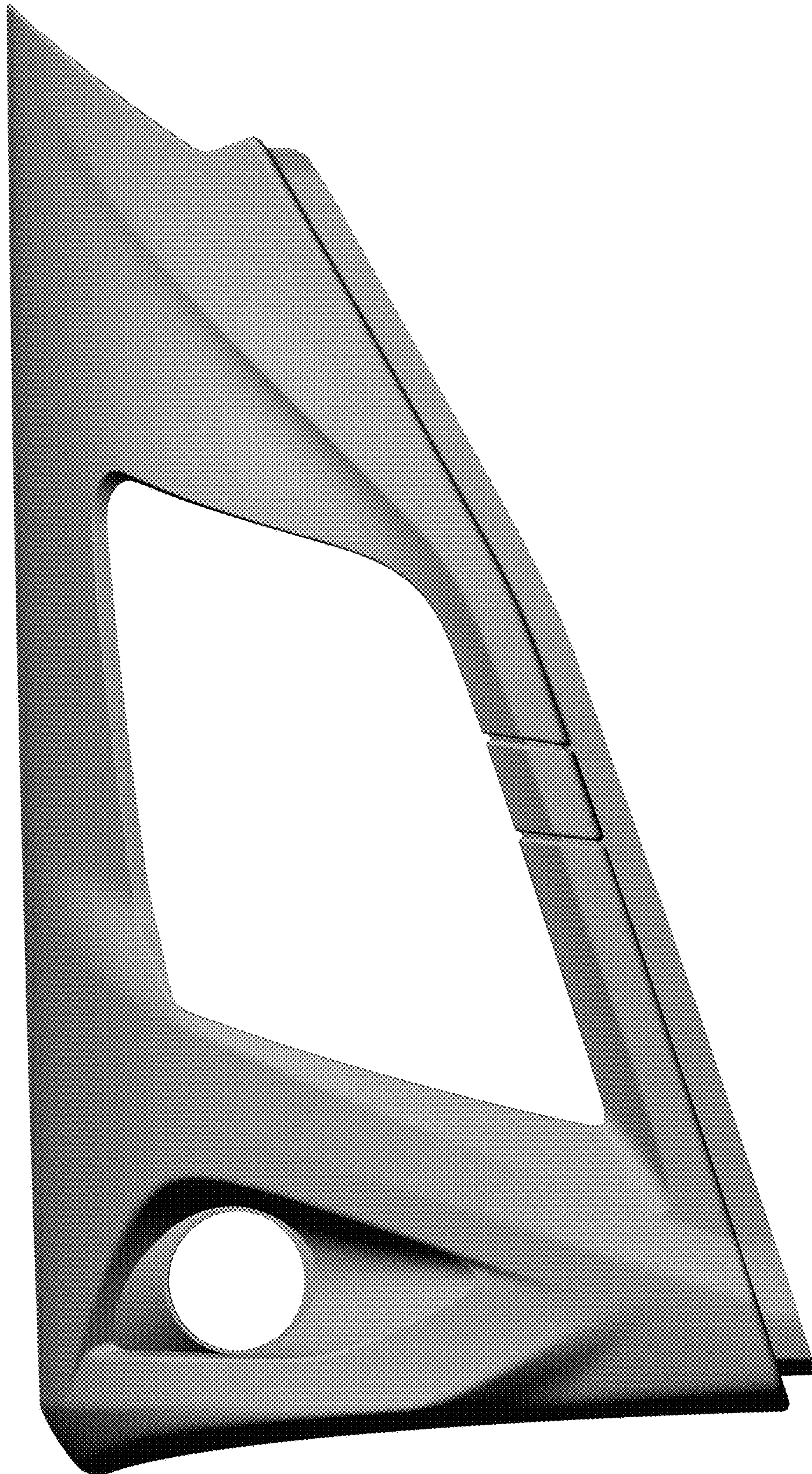


FIG. 2





FIG. 3



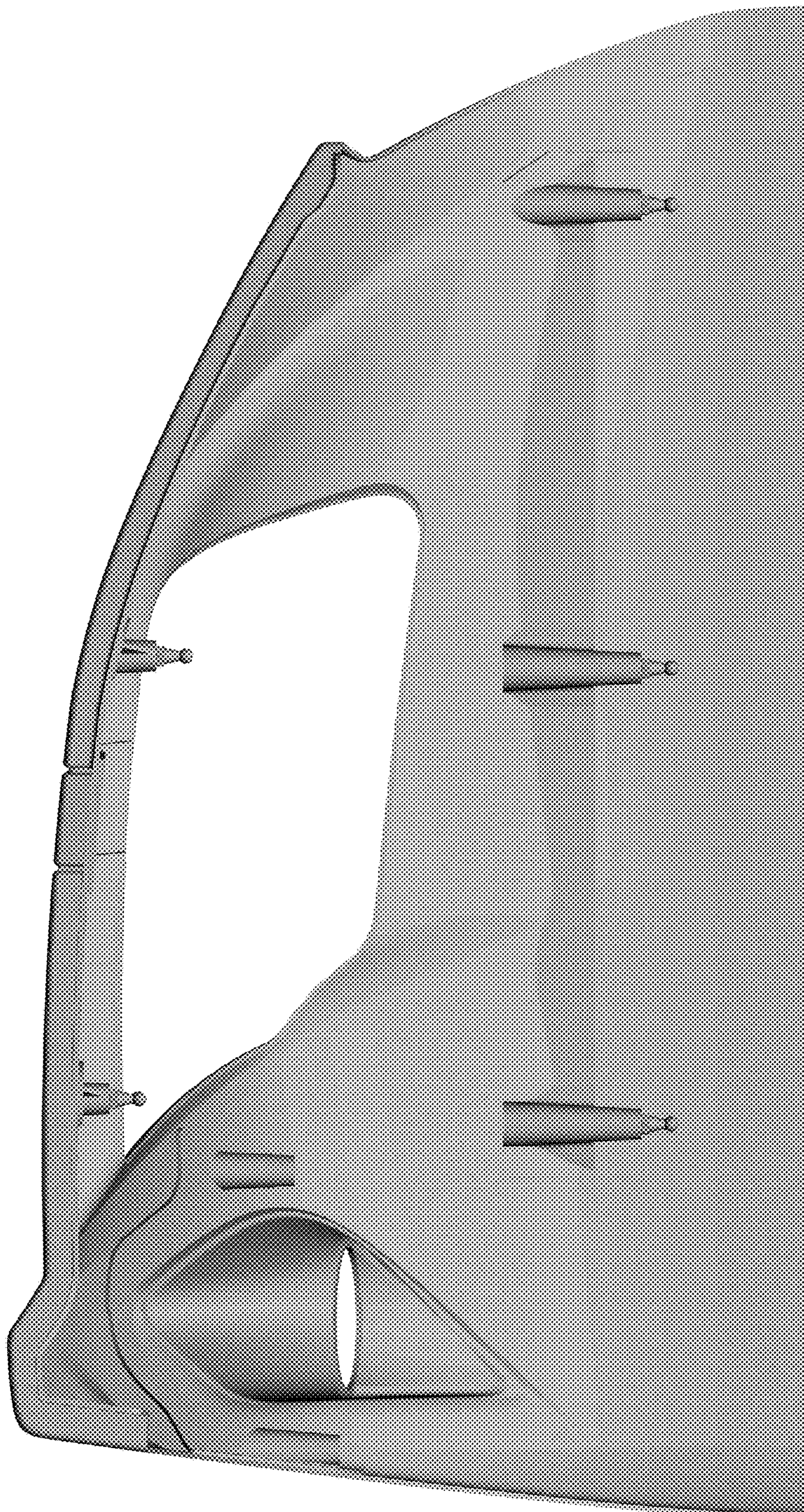


FIG. 4



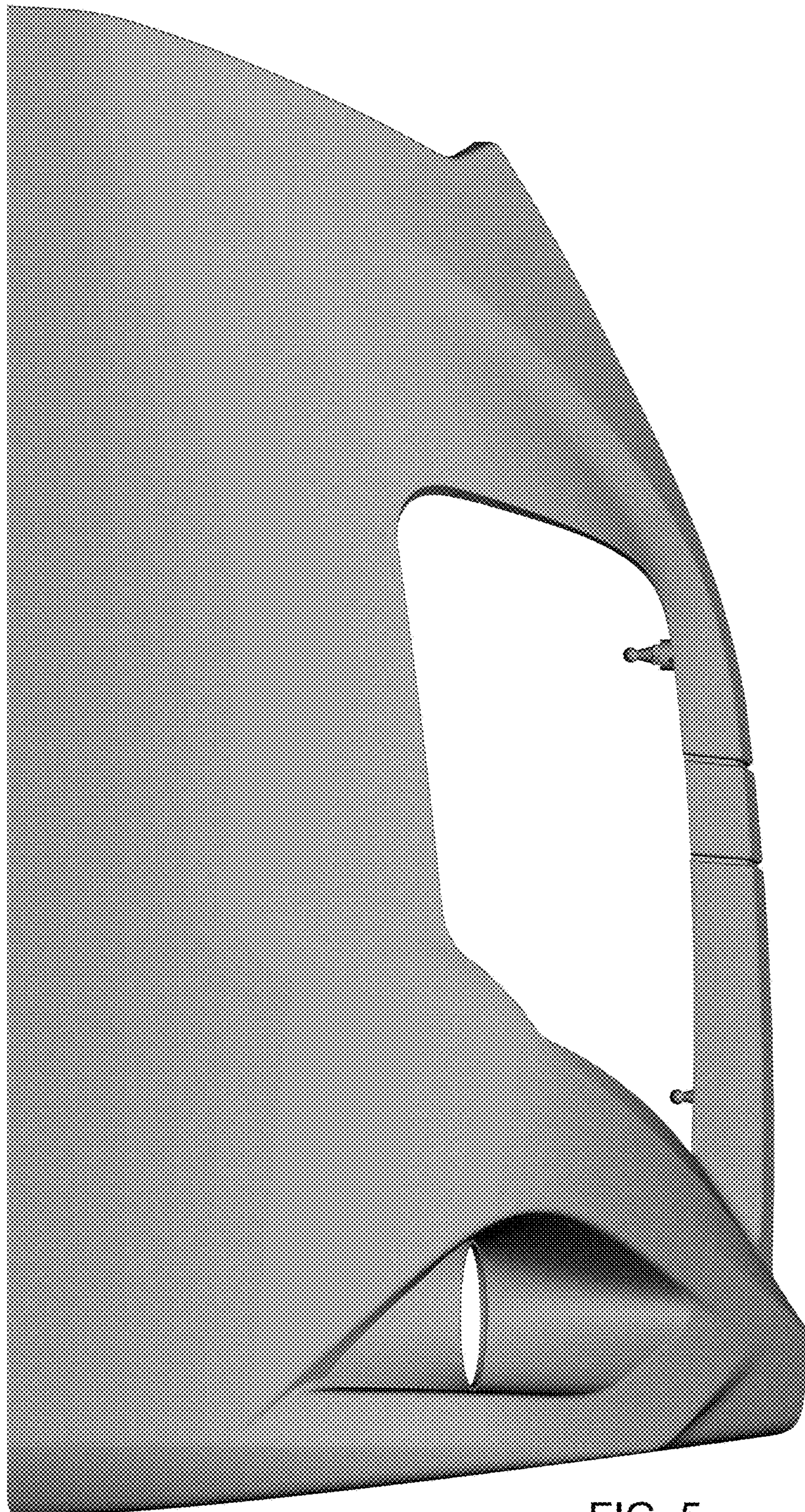


FIG. 5





FIG. 6

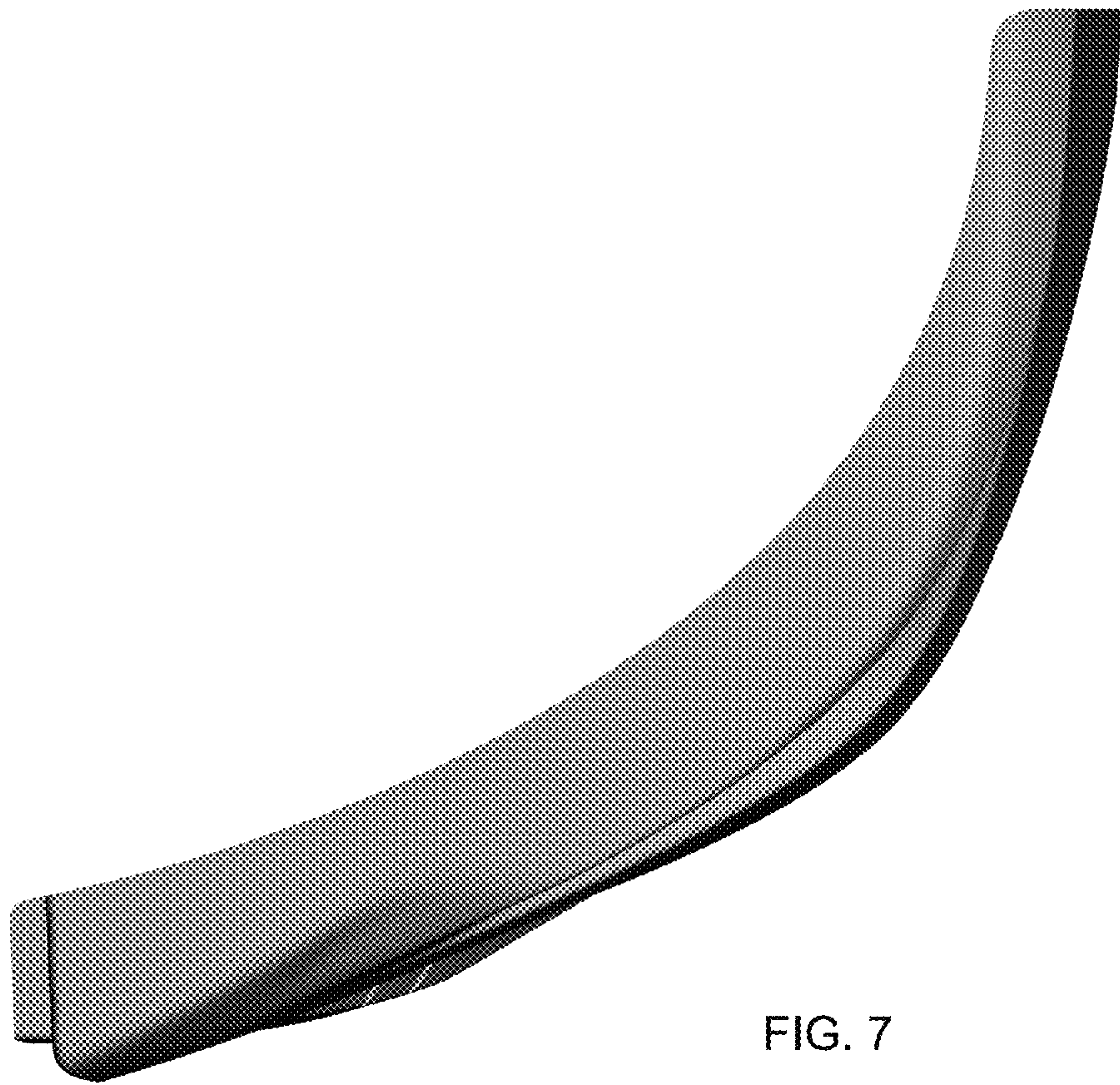


FIG. 7