



US00D789848S

(12) **United States Design Patent** (10) **Patent No.:** **US D789,848 S**
Platto et al. (45) **Date of Patent:** **** Jun. 20, 2017**

- (54) **VEHICLE REAR BUMPER**
- (71) Applicant: **Ford Motor Company**, Dearborn, MI (US)
- (72) Inventors: **Gordon Platto**, Troy, MI (US); **Sean Tant**, Livonia, MI (US); **William K. Moore**, West Bloomfield, MI (US); **Jonathan Fontaine**, Royal Oak, MI (US)
- (73) Assignee: **Ford Motor Company**, Dearborn, MI (US)
- (**) Term: **15 Years**
- (21) Appl. No.: **29/537,834**
- (22) Filed: **Aug. 28, 2015**
- (51) **LOC (10) Cl.** **12-16**
- (52) **U.S. Cl.**
USPC **D12/169**
- (58) **Field of Classification Search**
USPC D12/82, 86, 93, 98, 163, 164, 169, 171; D21/433, 434
CPC . B60R 19/02; B60R 2019/1886; B60R 19/48; B60R 19/52; B60R 19/56
See application file for complete search history.

- (56) **References Cited**
U.S. PATENT DOCUMENTS
- | | | | | |
|--------------|---------|-----------------|-------|---------|
| D280,497 S * | 9/1985 | Sullivan | | D12/169 |
| D491,496 S * | 6/2004 | Metros | | D12/169 |
| D497,851 S * | 11/2004 | Metros | | D12/169 |
| D501,809 S * | 2/2005 | Metros | | D12/169 |
| D524,876 S | 7/2006 | Augustin | | |
| D531,556 S * | 11/2006 | Metros | | D12/169 |
| D562,202 S | 2/2008 | Tant et al. | | |
| D565,484 S * | 4/2008 | Johnson | | D12/169 |
| D593,466 S | 6/2009 | Williams et al. | | |
| D623,569 S * | 9/2010 | Cogswell | | D12/169 |
| D626,042 S * | 10/2010 | Yamazaki | | D12/169 |
| D626,045 S | 10/2010 | Cogswell | | |

- D629,344 S 12/2010 Komuro
 - D630,981 S * 1/2011 Rao D12/169
 - D631,412 S 1/2011 Matei et al.
 - D641,671 S 7/2011 Reid
 - D642,101 S 7/2011 Faghihzadeh
 - D642,966 S 8/2011 Messale
 - D645,803 S 9/2011 Kumai et al.
 - D683,679 S 6/2013 Platto et al.
 - D686,552 S 7/2013 Weil
- (Continued)

OTHER PUBLICATIONS

Lienert, Anita, 2017 Ford F Series Super Duty, Sep. 24, 2015, edmunds.com <http://www.edmunds.com/car-news/2017-ford-f-series-super-duty-set-for-showroom-debut-in-late-2016.html>>.*

Primary Examiner — Karen Kearney
Assistant Examiner — Katherine Holbrow
(74) *Attorney, Agent, or Firm* — Brooks Kushman P.C.; Damian Porcari

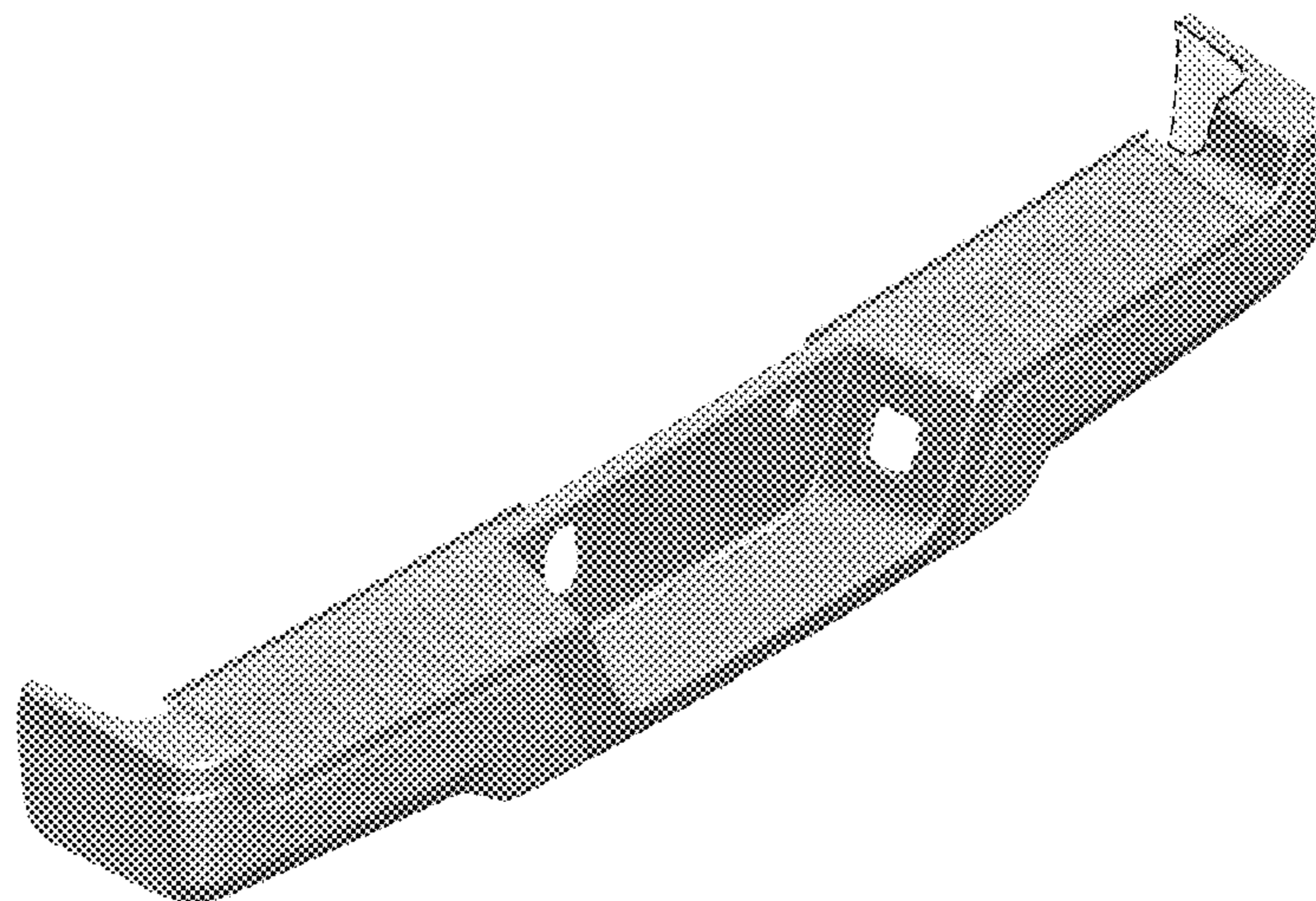
(57) **CLAIM**

The ornamental design for a vehicle rear bumper, as shown and described.

DESCRIPTION

FIG. 1 is a top left perspective view of a vehicle rear bumper;
FIG. 2 is a top right perspective view thereof;
FIG. 3 is a top rear perspective view thereof;
FIG. 4 is a front elevational view thereof;
FIG. 5 is a rear elevational view thereof;
FIG. 6 is a left side elevational view thereof;
FIG. 7 is a right side elevational view thereof;
FIG. 8 is a top plan view thereof; and,
FIG. 9 is a bottom plan view thereof.
The broken lines and the lightened tone portions shown within the broken lines illustrate portions of the vehicle rear bumper and form no part of the claimed design.

1 Claim, 9 Drawing Sheets



(56)

References Cited

U.S. PATENT DOCUMENTS

D693,272 S 11/2013 Burki et al.
D699,640 S * 2/2014 Duderstadt D12/169
D699,644 S 2/2014 Futschik et al.
D707,600 S 6/2014 Johnson
D713,306 S * 9/2014 Sperling D12/169
D716,709 S 11/2014 Thole et al.
D718,688 S 12/2014 Thole et al.
D721,304 S * 1/2015 Platto D12/169
D721,314 S 1/2015 Platto et al.
D731,924 S 6/2015 Lian et al.
D749,997 S * 2/2016 McMahan D12/169
D761,165 S * 7/2016 Chung D12/169
D761,166 S * 7/2016 Hare D12/169
9,533,641 B2 * 1/2017 Kutscher B60R 19/18
2015/0108792 A1 4/2015 Mildner et al.
2016/0059901 A1 3/2016 Joseph et al.

* cited by examiner

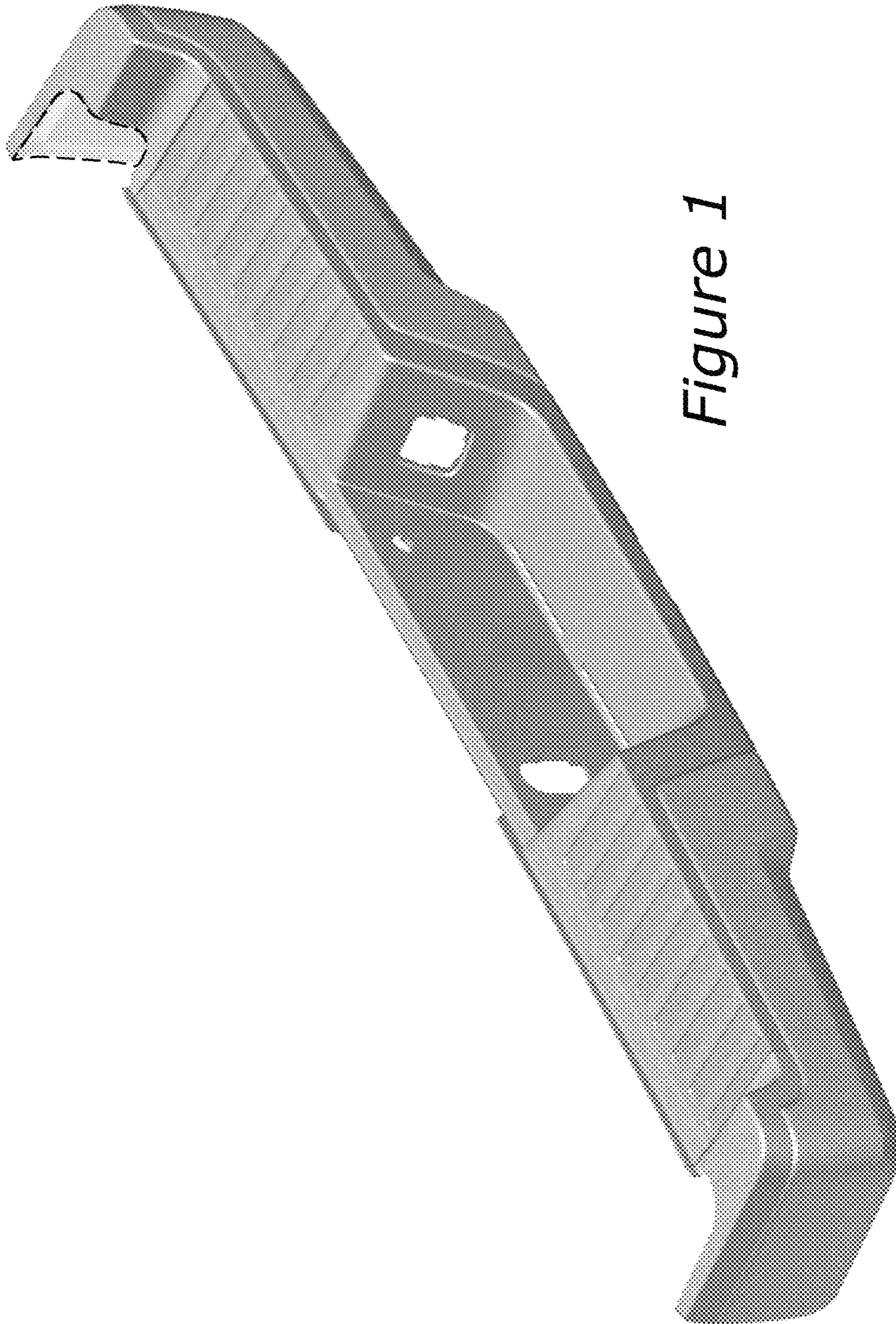


Figure 1

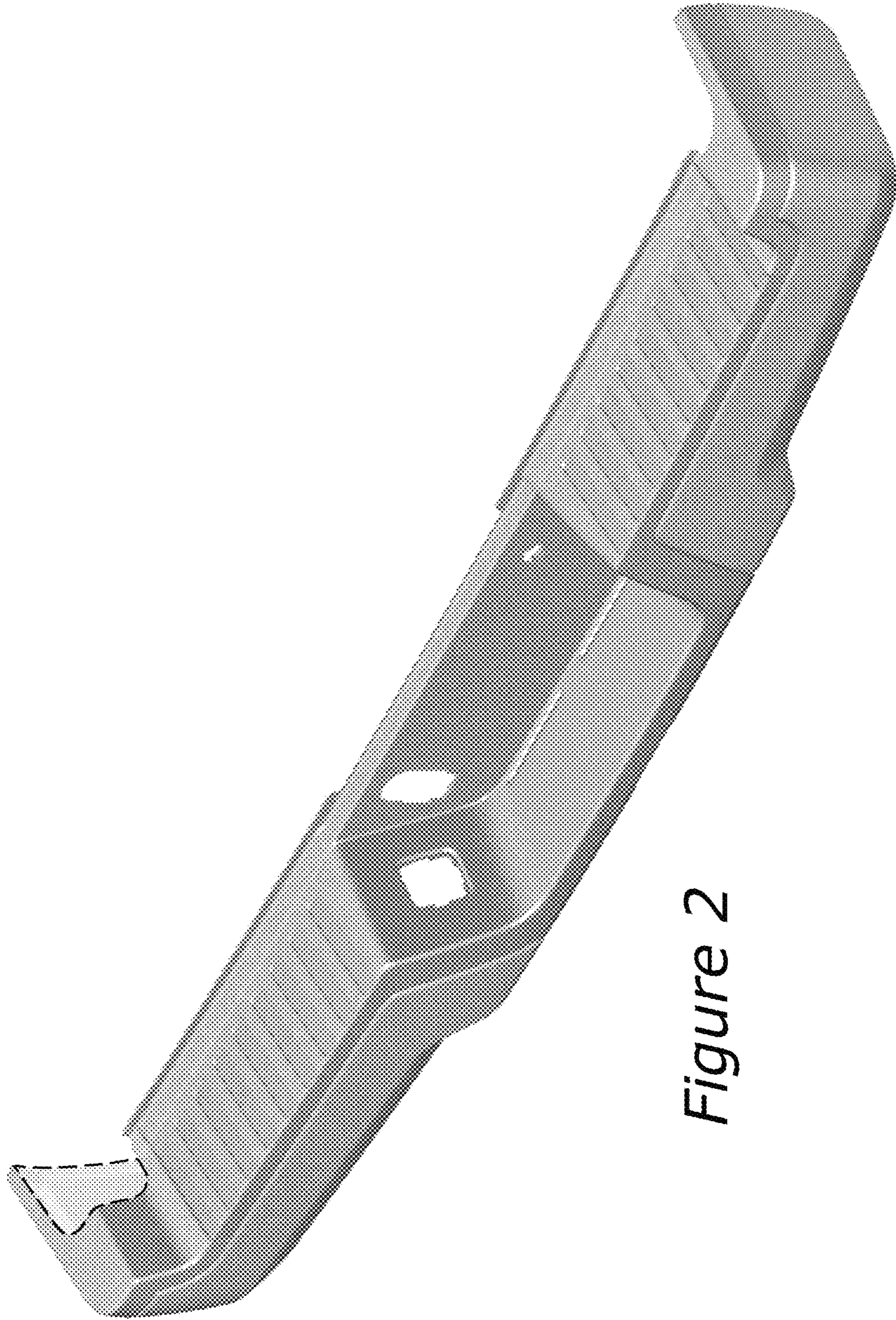
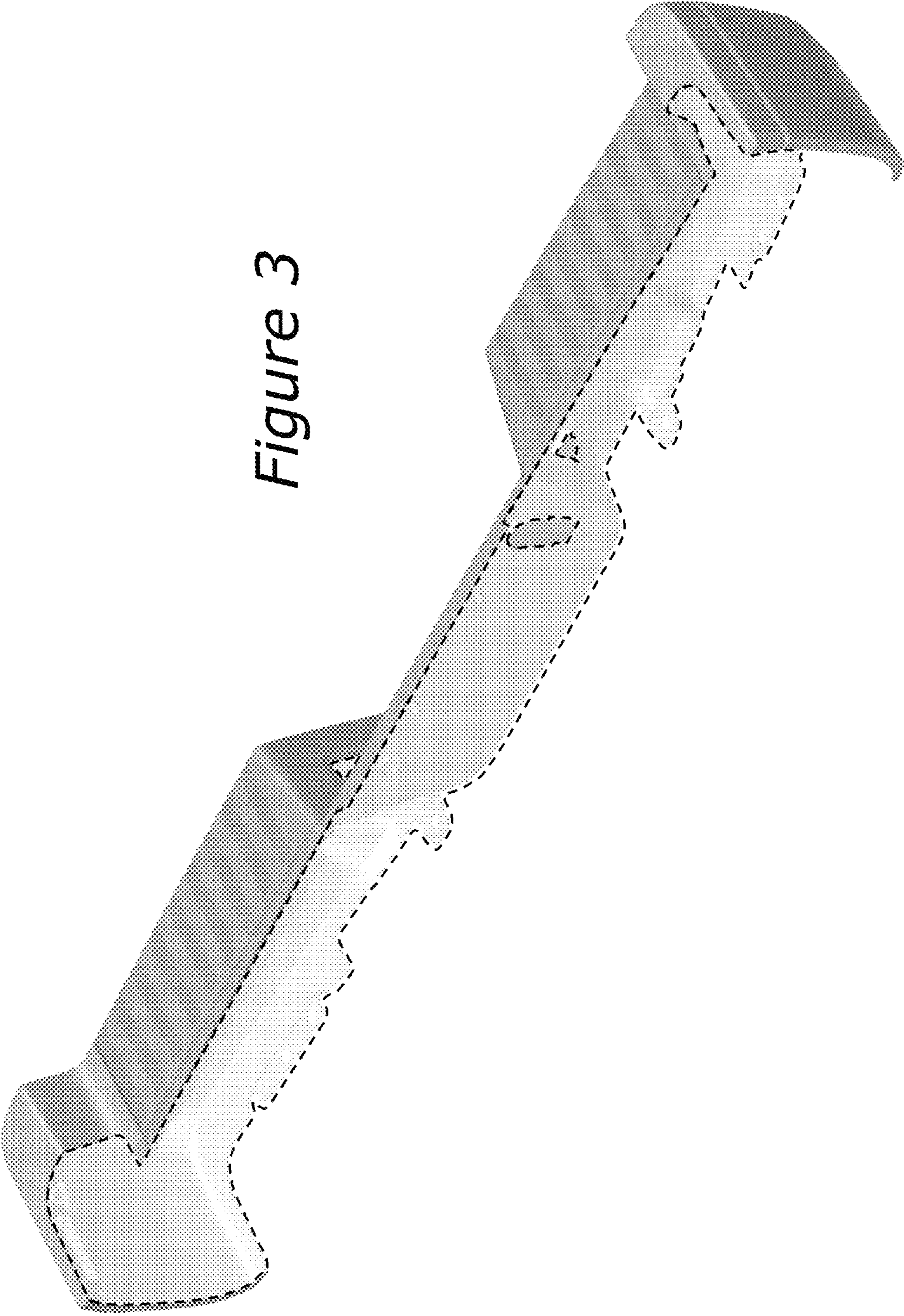


Figure 2

Figure 3



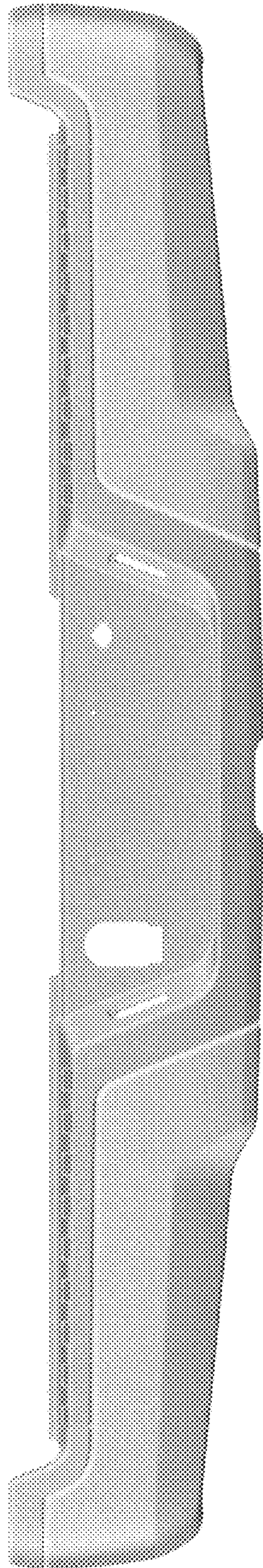


Figure 4

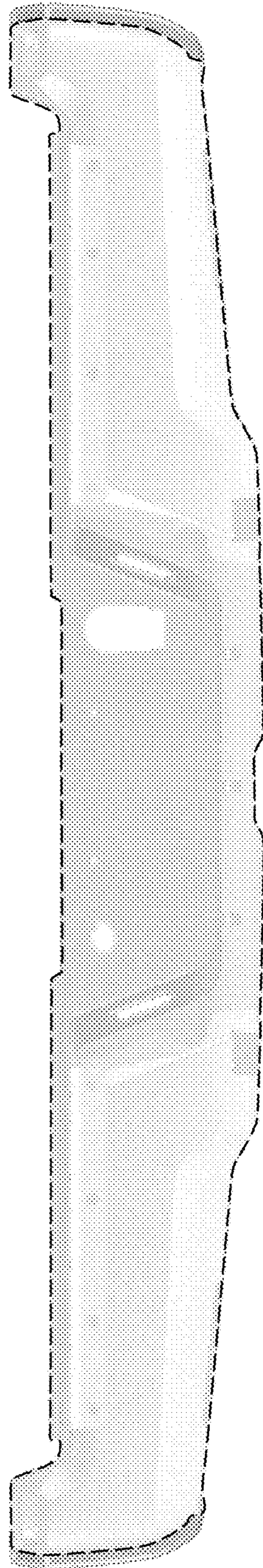


Figure 5

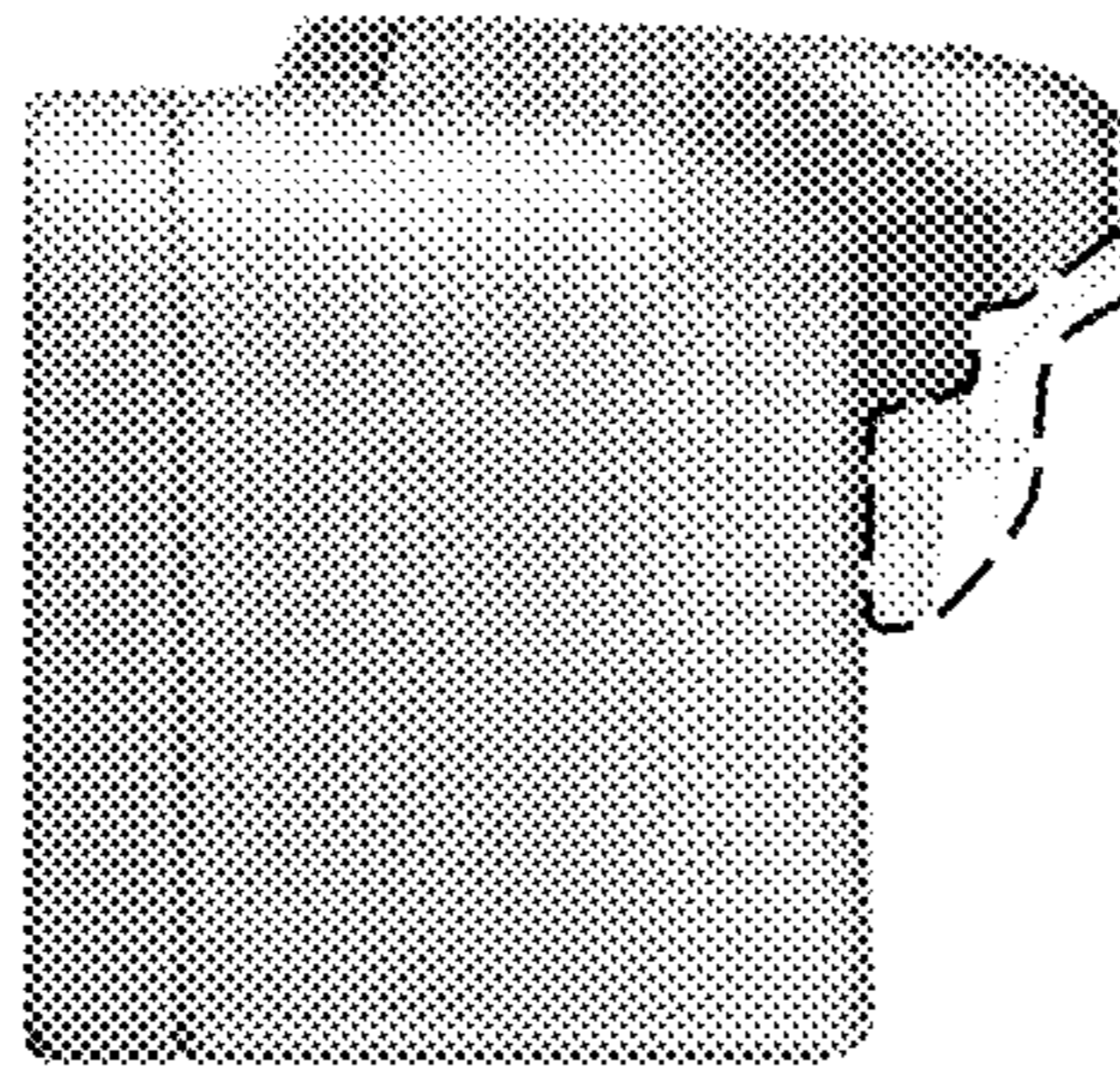


Figure 6

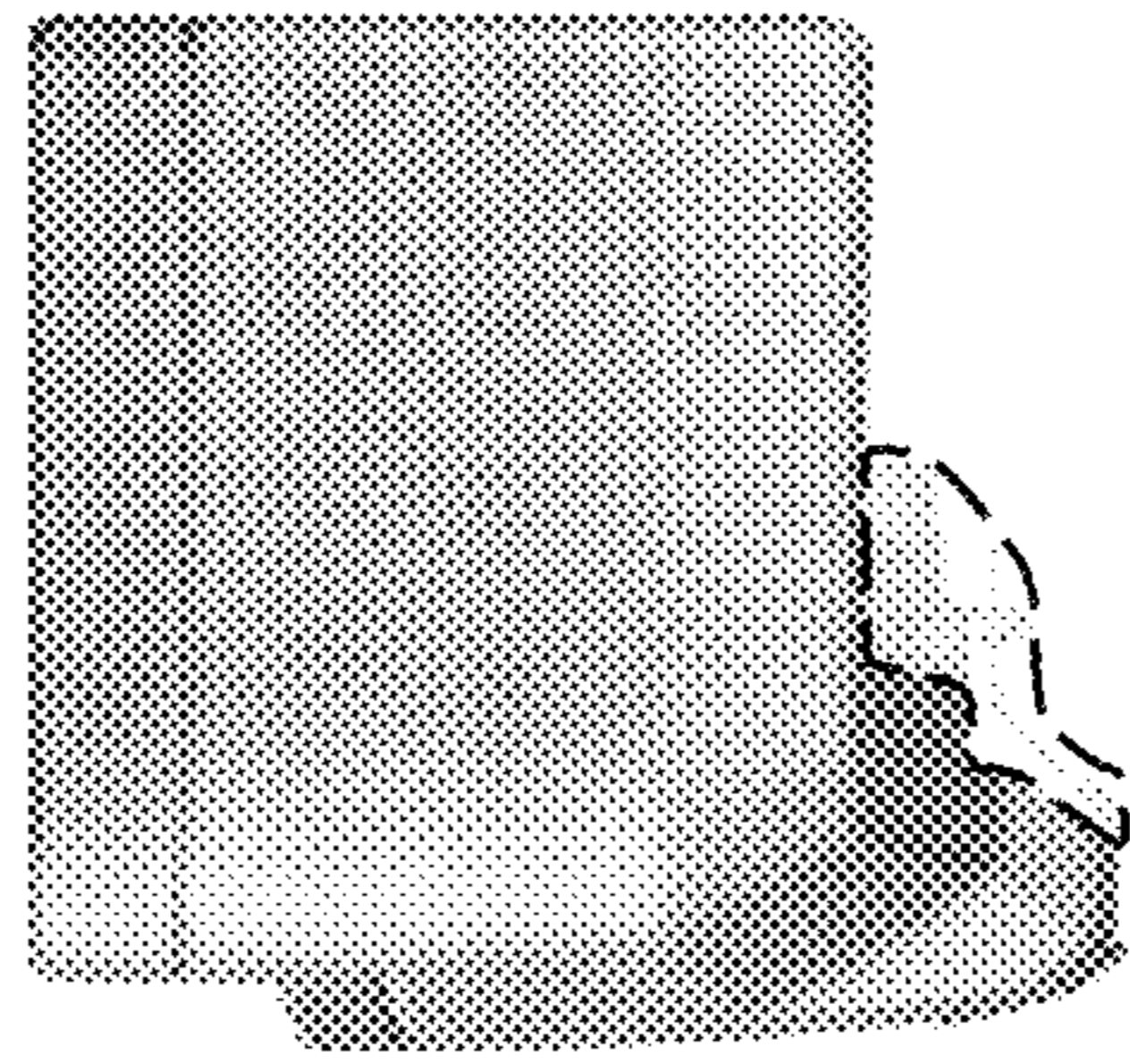


Figure 7

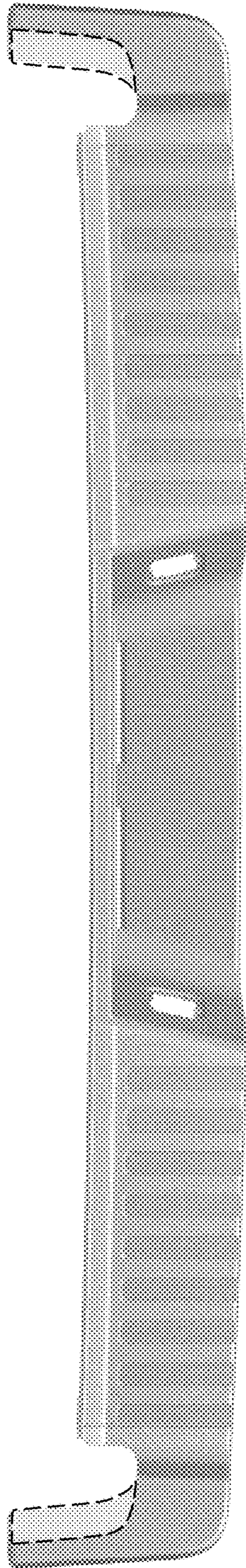


Figure 8

Figure 9

