



US00D789844S

(12) **United States Design Patent** (10) **Patent No.:** **US D789,844 S**
Sakai et al. (45) **Date of Patent:** **** Jun. 20, 2017**

(54) **RADIATOR GRILL FOR AUTOMOBILE**
(71) Applicant: **Nissan Motor Co., Ltd.**, Yokohama,
Kanagawa (JP)
(72) Inventors: **Junichi Sakai**, Kanagawa (JP); **Masaki**
Aikawa, Kanagawa (JP)
(73) Assignee: **Nissan Motor Co., Ltd.**, Yokohama
(JP)

(**) Term: **15 Years**

(21) Appl. No.: **29/555,983**

(22) Filed: **Feb. 26, 2016**

(30) **Foreign Application Priority Data**

Aug. 28, 2015 (JP) 2015-019031

(51) **LOC (10) Cl.** **12-16**

(52) **U.S. Cl.**
USPC **D12/163**

(58) **Field of Classification Search**
USPC D12/163, 196, 86, 90-92, 171, 169, 216;
180/68.1, 68.6; 293/193.11
CPC B62D 25/08; B62B 9/16; B60K 11/08;
B60R 19/52
See application file for complete search history.

(56) **References Cited**

U.S. PATENT DOCUMENTS

D623,565 S 9/2010 Cogswell
D634,676 S 3/2011 Iida
D635,065 S 3/2011 Seo
D670,214 S 11/2012 Watanabe
D686,117 S 7/2013 Tase et al.
D705,137 S * 5/2014 Kawasaki D12/163
D727,220 S * 4/2015 Rugar D12/163
D734,693 S 7/2015 Koizumi et al.

D736,122 S * 8/2015 Hammoud D12/163
D737,736 S * 9/2015 Iwai D12/163
D758,928 S * 6/2016 Messale D12/163
D766,782 S * 9/2016 Arroba D12/163
D774,998 S * 12/2016 Munakata D12/163
D774,999 S * 12/2016 Liu D12/163
D783,465 S * 4/2017 Choi D12/163

FOREIGN PATENT DOCUMENTS

JP D1237325 S 4/2005
JP D1302270 S 6/2007
JP D1311572 S 10/2007
JP D1346825 S 12/2008

(Continued)

Primary Examiner — Melody N. Brown

(74) *Attorney, Agent, or Firm* — Global IP Counselors,
LLP

(57) **CLAIM**

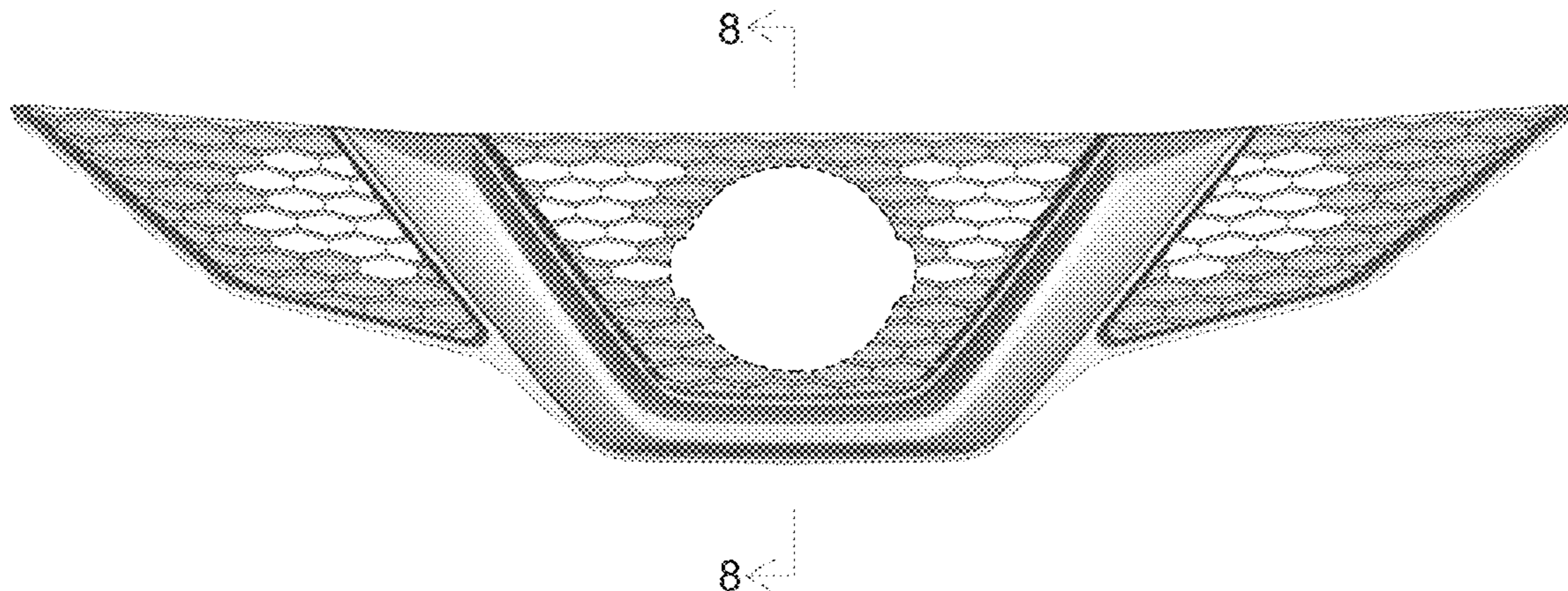
The ornamental design for a radiator grill for an automobile,
as shown and described.

DESCRIPTION

FIG. 1 is a front elevational view of a radiator grill for an
automobile in accordance with our new design;
FIG. 2 is a top, front perspective view thereof;
FIG. 3 is a bottom, rear perspective view thereof;
FIG. 4 is a left side elevational view thereof;
FIG. 5 is a right side elevational view thereof;
FIG. 6 is a top, front and right side perspective view thereof;
FIG. 7 is a bottom, rear and left side perspective view
thereof; and,
FIG. 8 is a cross sectional view thereof, taken along line 8-8
of FIG. 1.

The broken line shown on the radiator grill is for purpose of
illustrating environmental structure and forms no part of the
claimed design. The rear view of the radiator grill forms no
part of the claimed design.

1 Claim, 8 Drawing Sheets



(56)

References Cited

FOREIGN PATENT DOCUMENTS

JP	D1288024 S	11/2009
JP	D1397617 S	9/2010
JP	D1398264 S	10/2010
JP	D1398265 S	10/2010
JP	D1412408 S	4/2012
JP	D1442572 S	6/2012
JP	D1447591 S	7/2012
JP	D1475446 S	7/2013
JP	D1501242 S	6/2014
JP	D1517391 S	2/2016

* cited by examiner

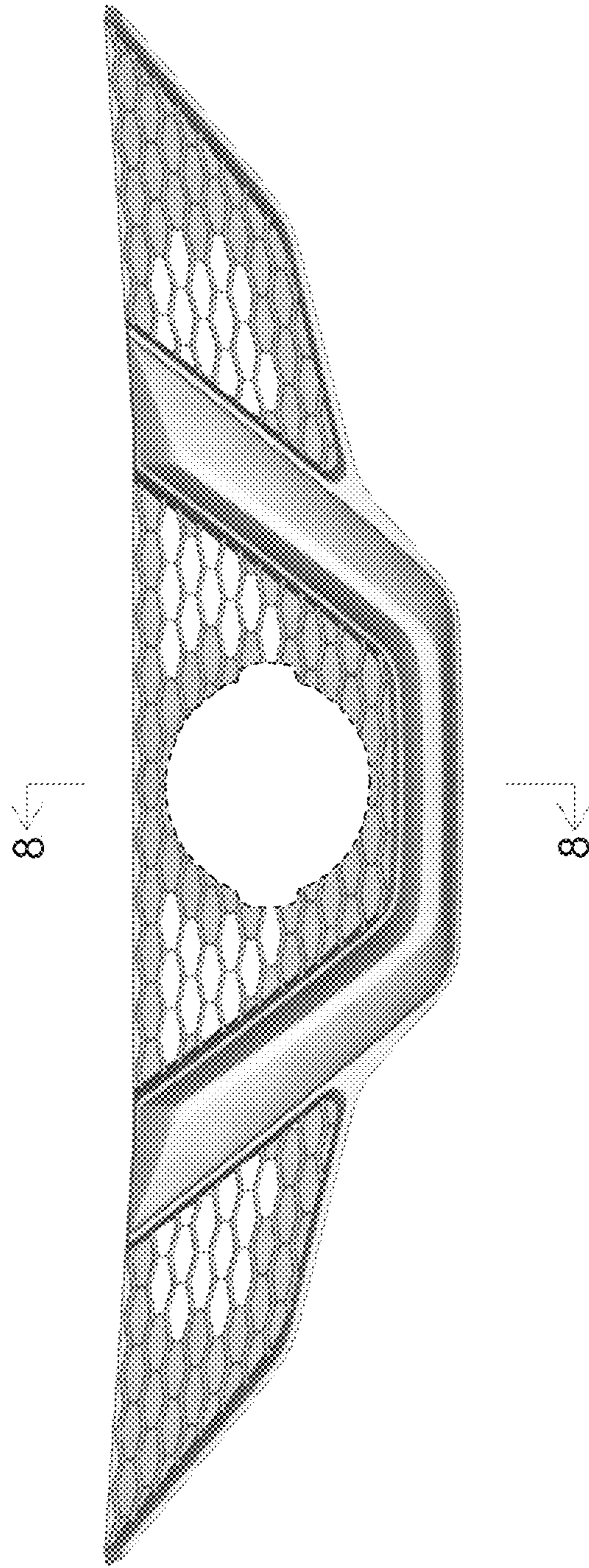


FIG. 1

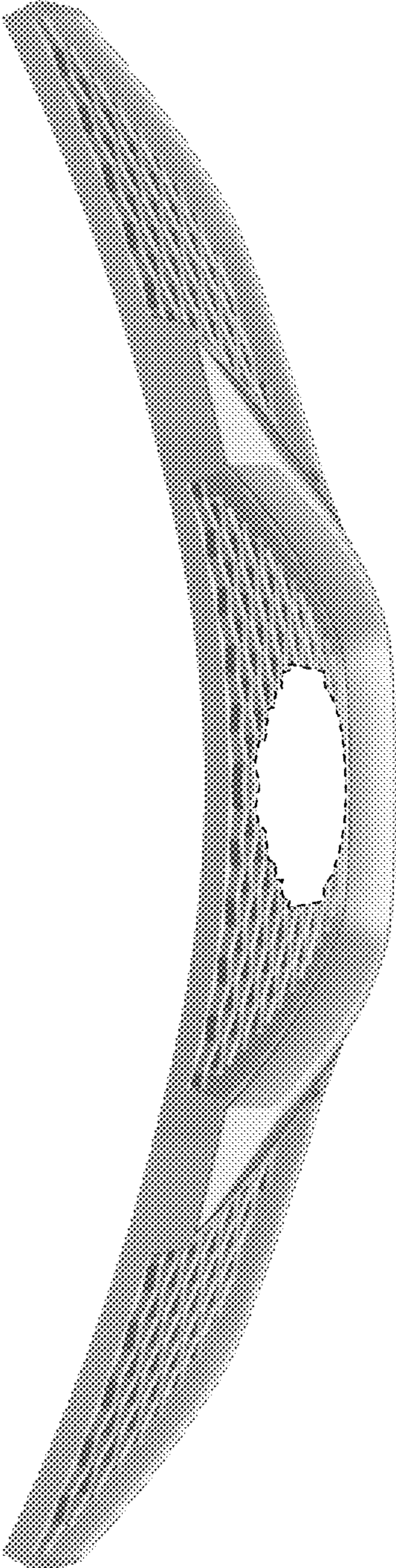


FIG. 2

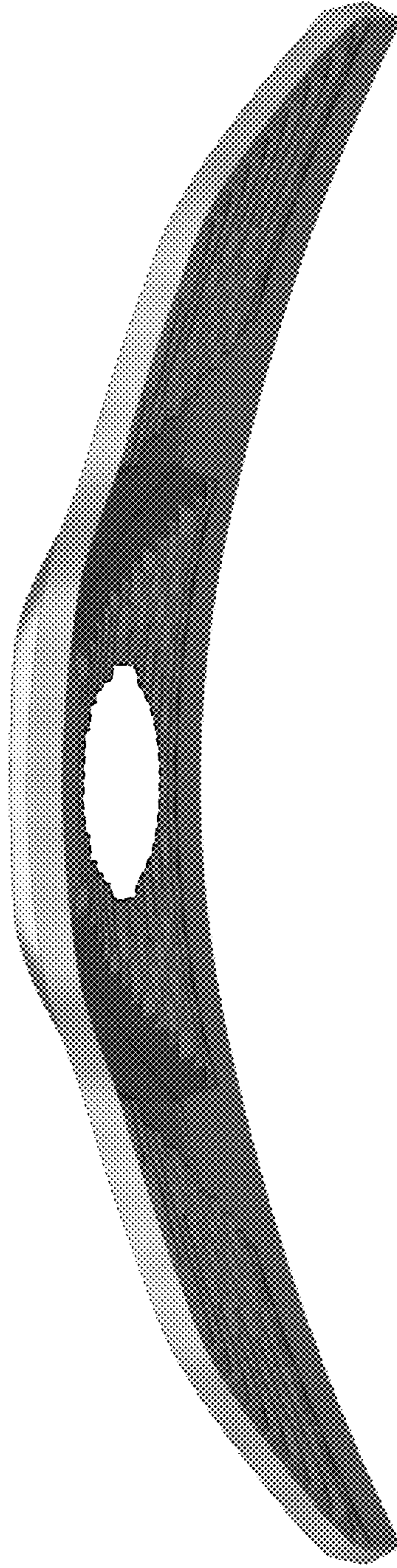


FIG. 3

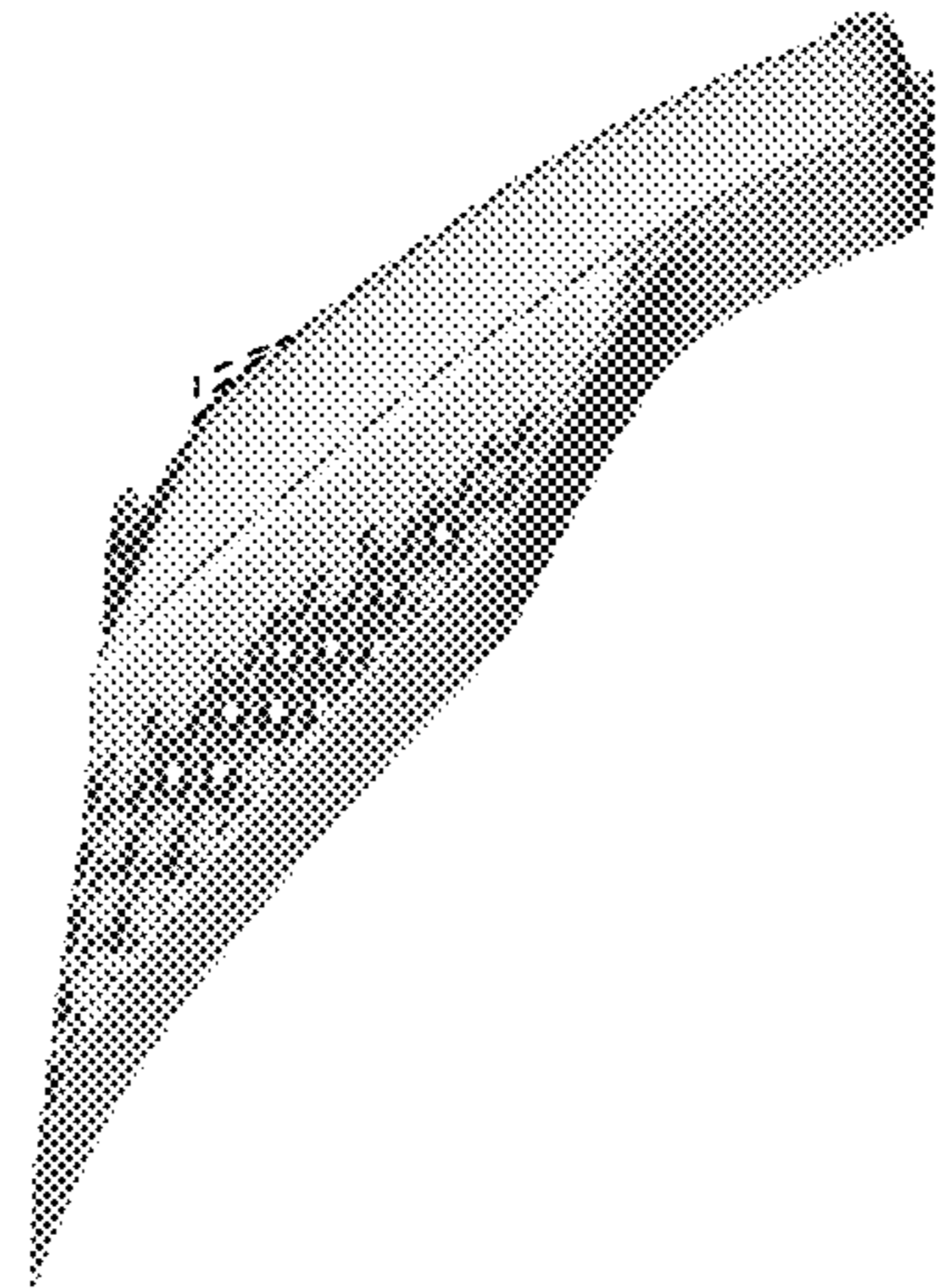


FIG. 4

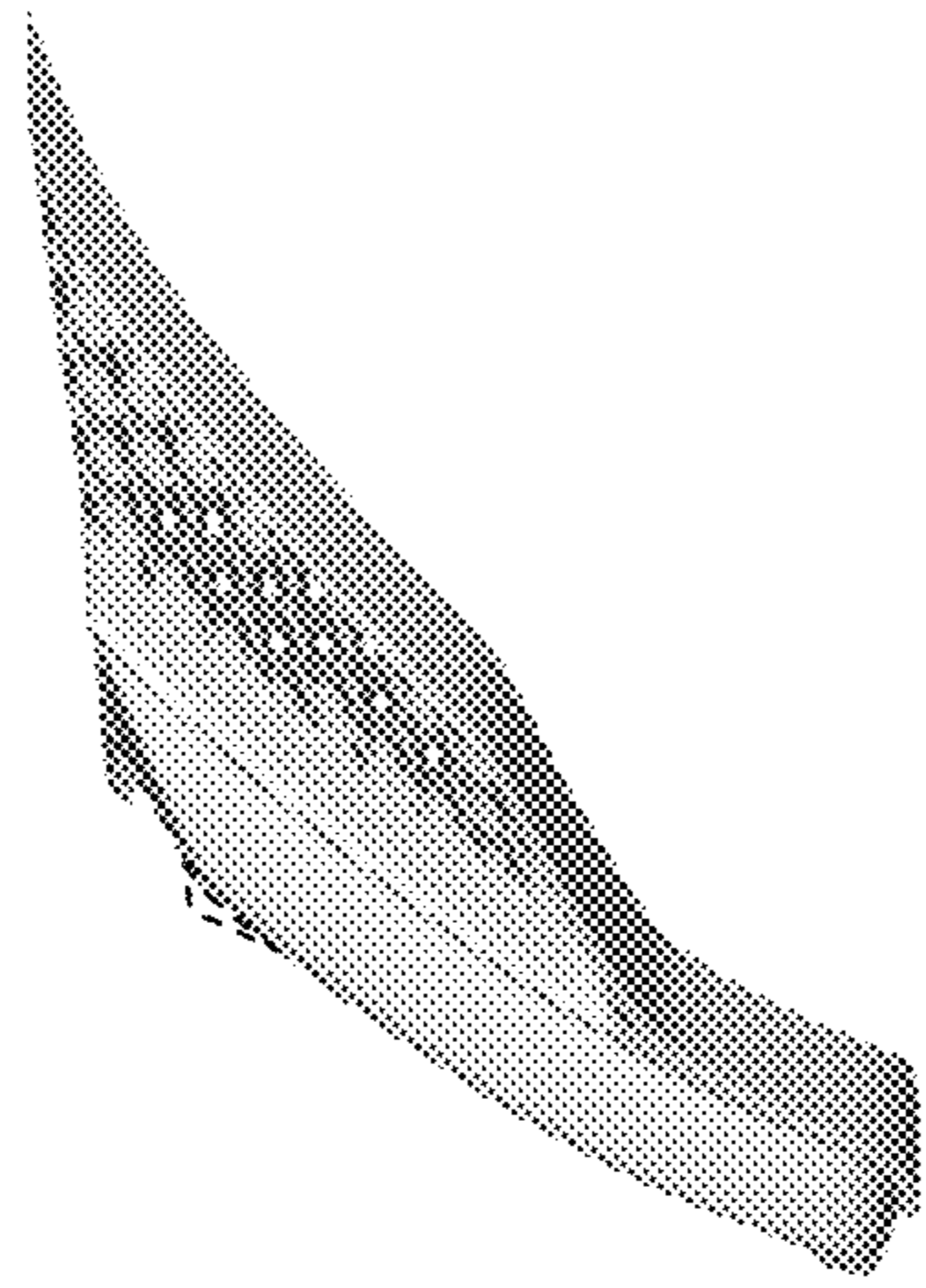


FIG. 5

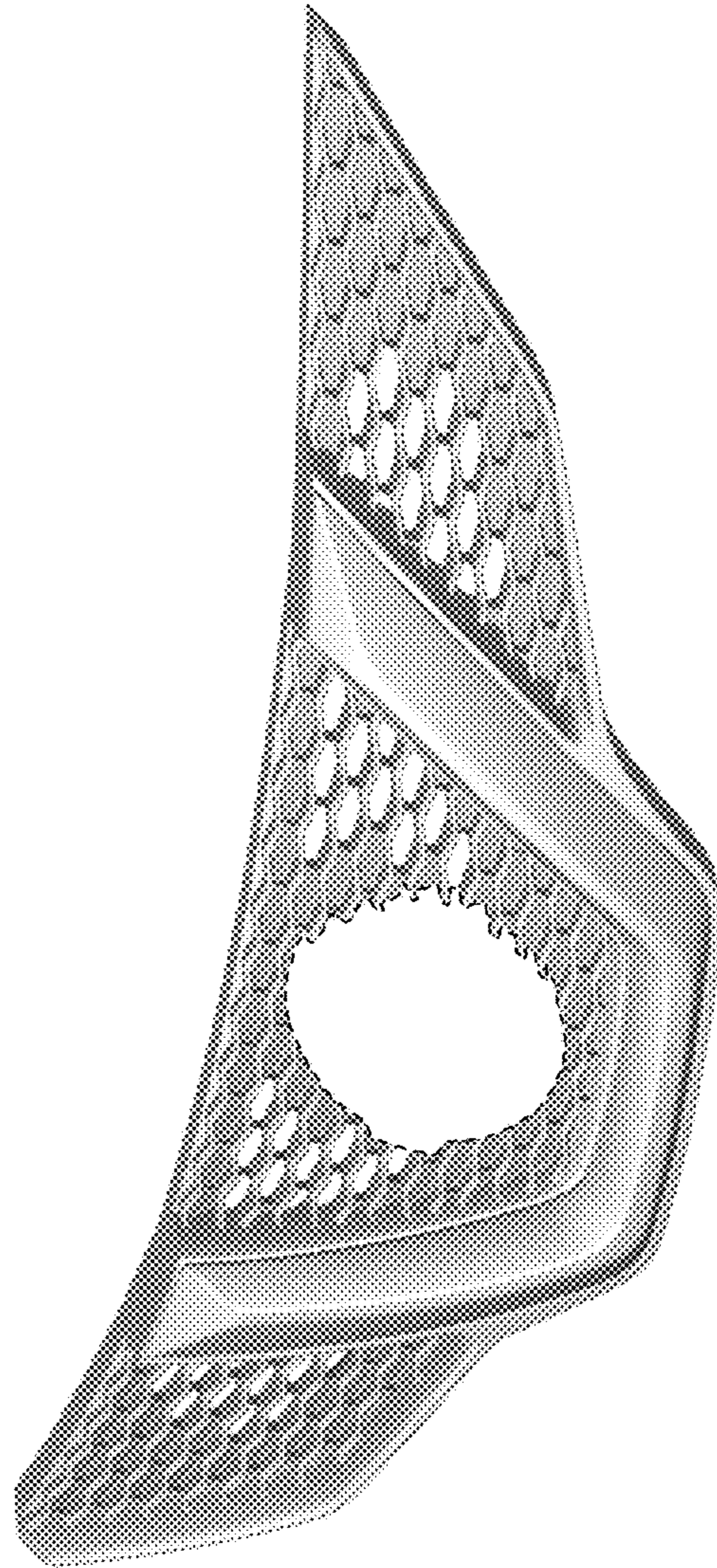


FIG. 6

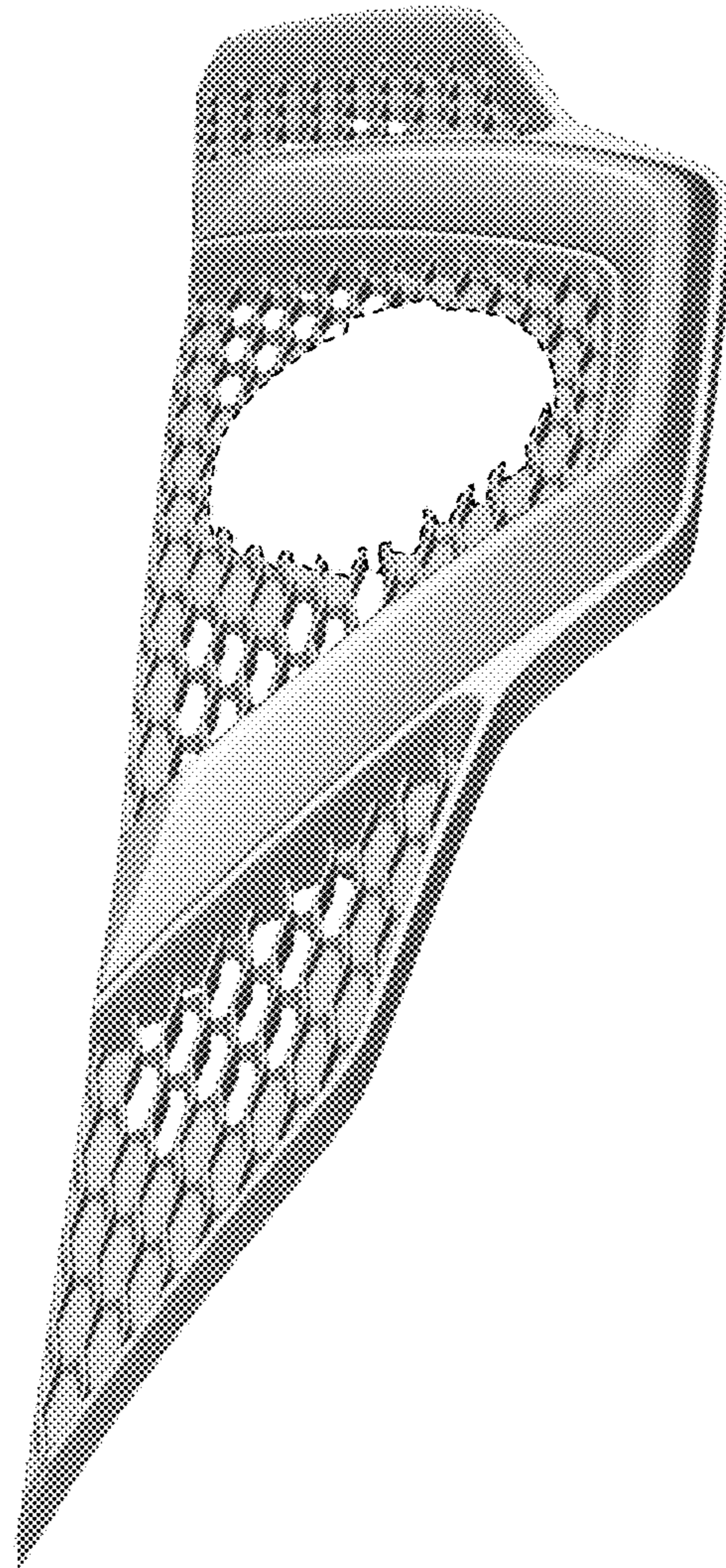


FIG. 7

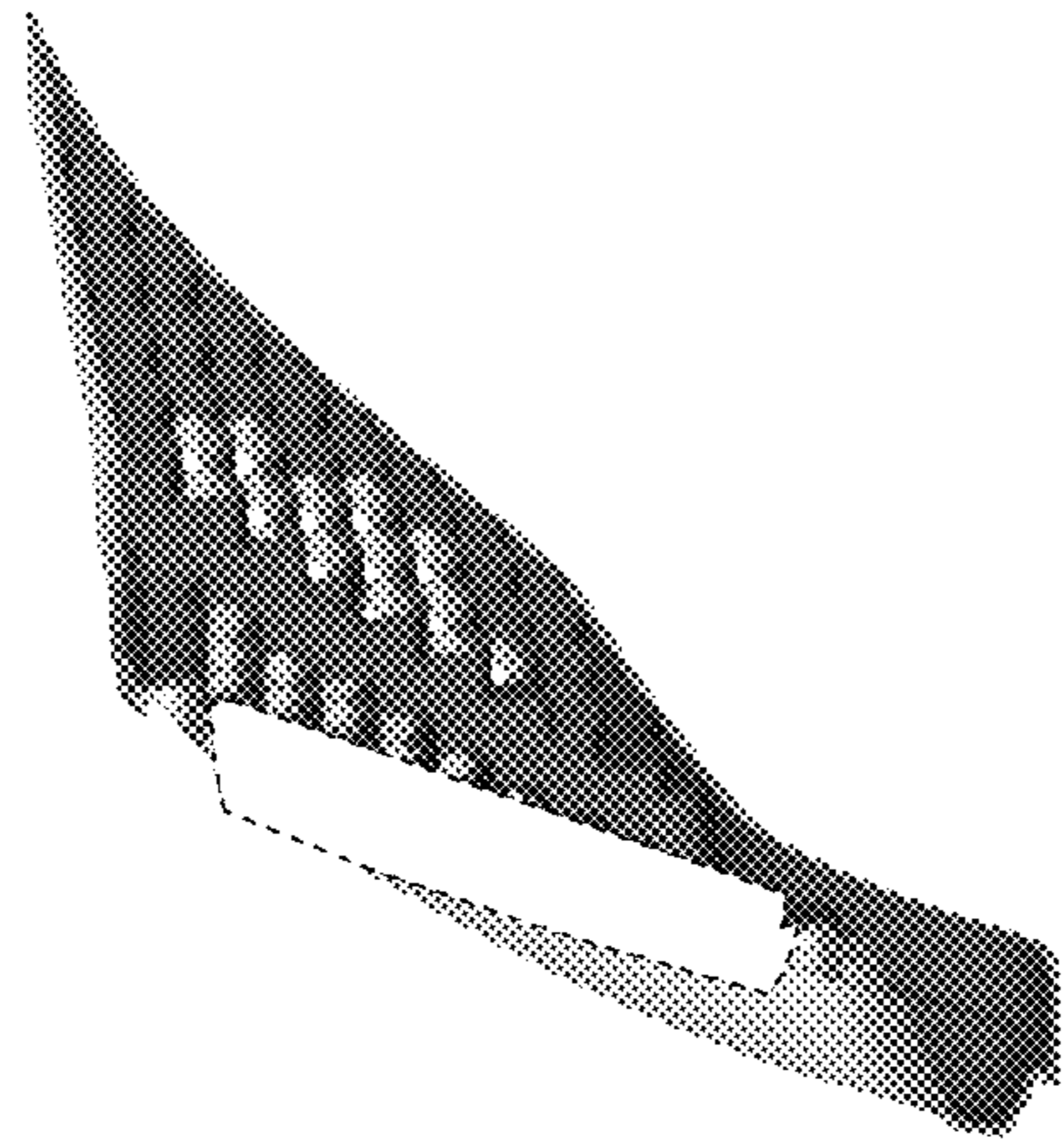


FIG. 8