



US00D789840S

(12) **United States Design Patent**
Curic et al.

(10) **Patent No.:** **US D789,840 S**

(45) **Date of Patent:** **** Jun. 20, 2017**

(54) **VEHICLE FRONT LOWER GRILLE**

(71) Applicant: **Ford Global Technologies, LLC**,
Dearborn, MI (US)

(72) Inventors: **Kemal Curic**, West Bloomfield, MI
(US); **Shawn Wehrly**, Northville, MI
(US); **David Woodhouse**, Troy, MI
(US)

(73) Assignee: **Ford Global Technologies, LLC**,
Dearborn, MI (US)

(**) Term: **15 Years**

(21) Appl. No.: **29/505,599**

(22) Filed: **Dec. 23, 2015**

(51) **LOC (10) Cl.** **12-16**

(52) **U.S. Cl.**
USPC **D12/163**

(58) **Field of Classification Search**
USPC D12/91, 163-171; D21/313, 433-434;
180/68.1, 68.6

CPC B60K 11/08; B62B 9/16; B60R 19/50;
B62D 25/08

See application file for complete search history.

(56) **References Cited**

U.S. PATENT DOCUMENTS

D421,734 S *	3/2000	Sacco	D12/163
D422,249 S *	4/2000	Sacco	D12/163
D439,934 S *	4/2001	Wang	D21/433
D459,764 S *	7/2002	Hoelzel	D21/433
D471,846 S *	3/2003	Pfeiffer	D12/163
D507,770 S *	7/2005	Minami	D12/163
D513,212 S *	12/2005	Pfeiffer	D12/163
7,090,265 B2 *	8/2006	Otte	B60R 19/52 180/68.6
D535,224 S *	1/2007	Kubota	D12/163

D538,207 S *	3/2007	Pfeiffer	D12/163
D539,196 S *	3/2007	Pfeiffer	D12/163
7,290,809 B2 *	11/2007	Filip	B60R 19/52 180/68.6
D583,722 S *	12/2008	Sonoda	D12/163
D587,175 S *	2/2009	Bauer	D12/163
D602,409 S *	10/2009	Lamm	D12/163
D604,209 S *	11/2009	Chae	D12/163
D605,566 S *	12/2009	Wong	D12/163
D606,461 S *	12/2009	Richards	D12/163
D614,543 S *	4/2010	Kitazumi	D12/163
D616,342 S *	5/2010	Kim	D12/163
D687,749 S *	8/2013	Fetherston	D12/163
D687,750 S *	8/2013	Frei	D12/163
D692,804 S *	11/2013	Song	D12/163
D703,108 S *	4/2014	Futschik	D12/163
D708,991 S *	7/2014	Matsuno	D12/163
D720,263 S *	12/2014	Pevovar	D12/163
D726,598 S *	4/2015	Rupar	D12/163
D746,729 S *	1/2016	Boniface	D12/163

(Continued)

Primary Examiner — Manpreet Matharu

Assistant Examiner — Keith Wilson

(74) *Attorney, Agent, or Firm* — Damian Porcari

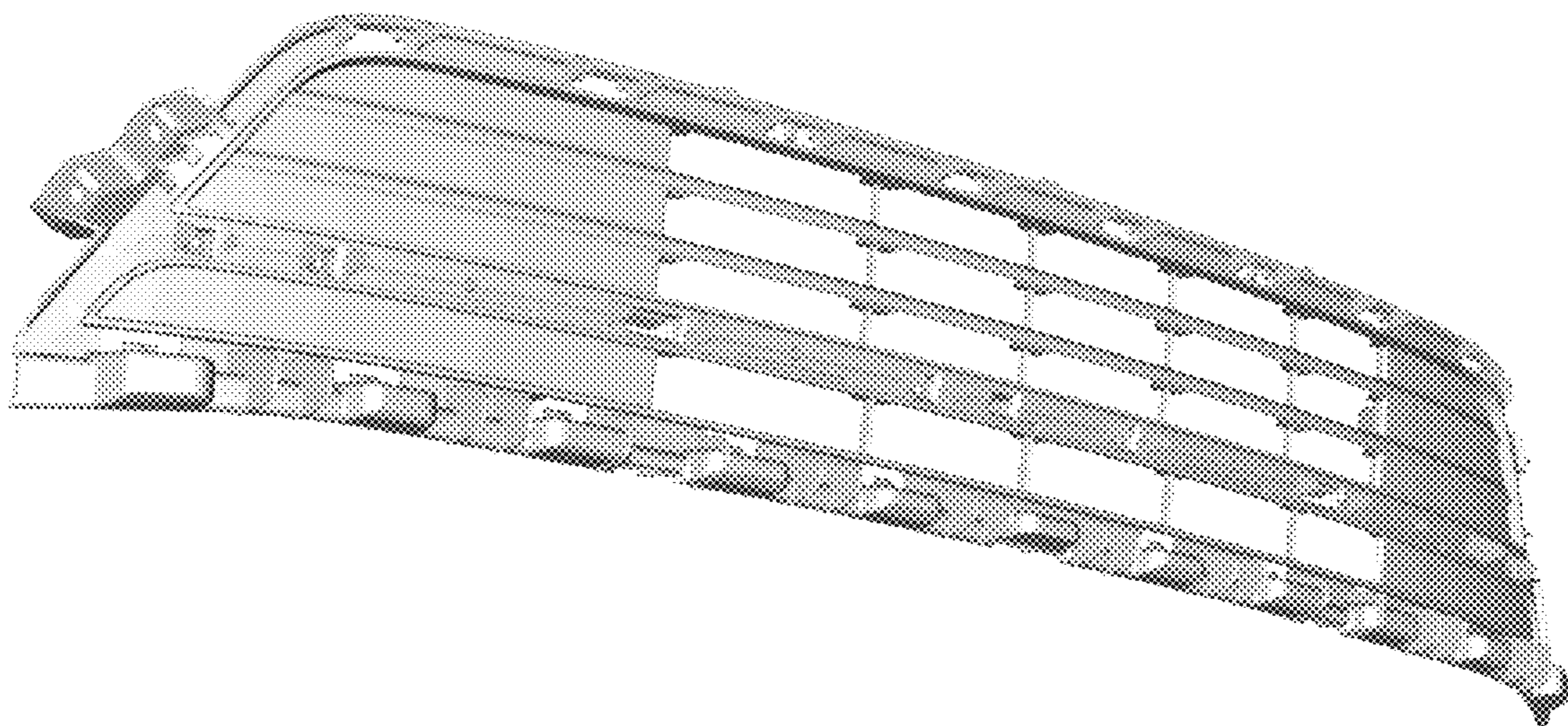
(57) **CLAIM**

The ornamental design for a vehicle front lower grille, as shown and described.

DESCRIPTION

FIG. 1 is a top front perspective and right view of the vehicle front lower grille;
FIG. 2 is a bottom front perspective and right view thereof;
FIG. 3 is a top rear perspective view thereof;
FIG. 4 is a front elevational view thereof;
FIG. 5 is a rear elevational view thereof;
FIG. 6 is a left elevational view thereof;
FIG. 7 is a right side elevational view thereof;
FIG. 8 is a top plan view thereof; and,
FIG. 9 is a bottom plan view thereof.

1 Claim, 9 Drawing Sheets



(56)

References Cited

U.S. PATENT DOCUMENTS

D755,088 S *	5/2016	McMahan	D12/163
2015/0183313 A1 *	7/2015	Bruckner	B60K 11/02 180/68.1
2016/0137053 A1 *	5/2016	Dubey	B60K 11/08 180/68.1

* cited by examiner

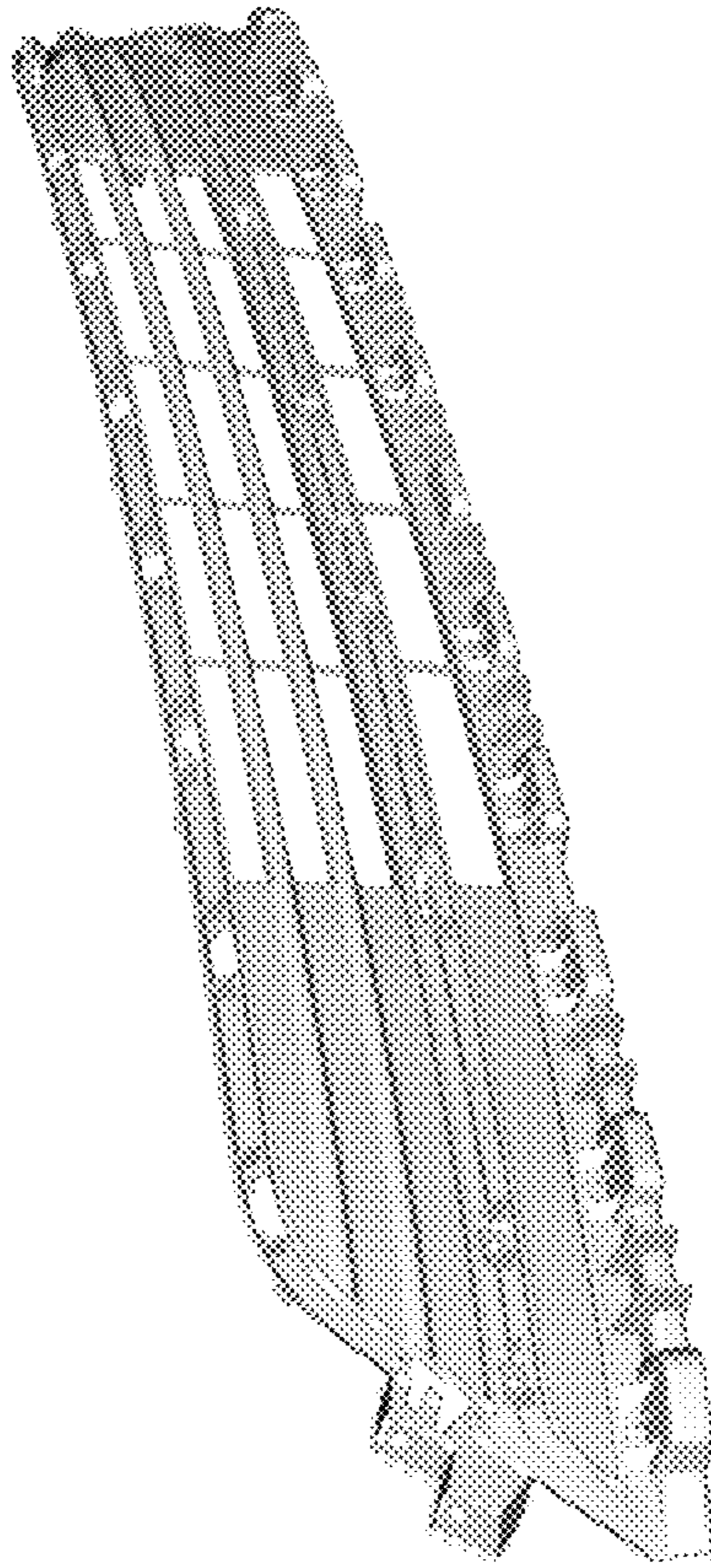


Fig. 1

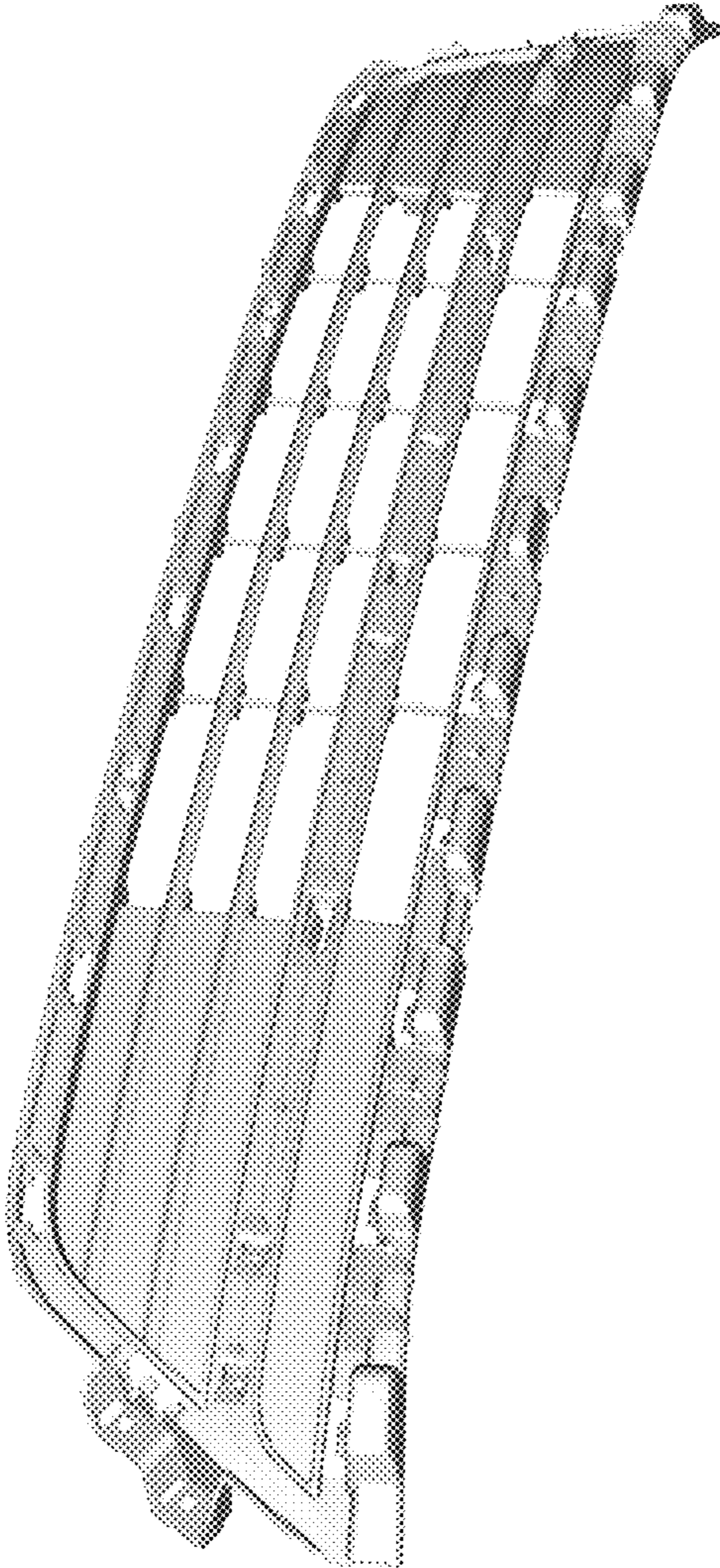


Fig. 2

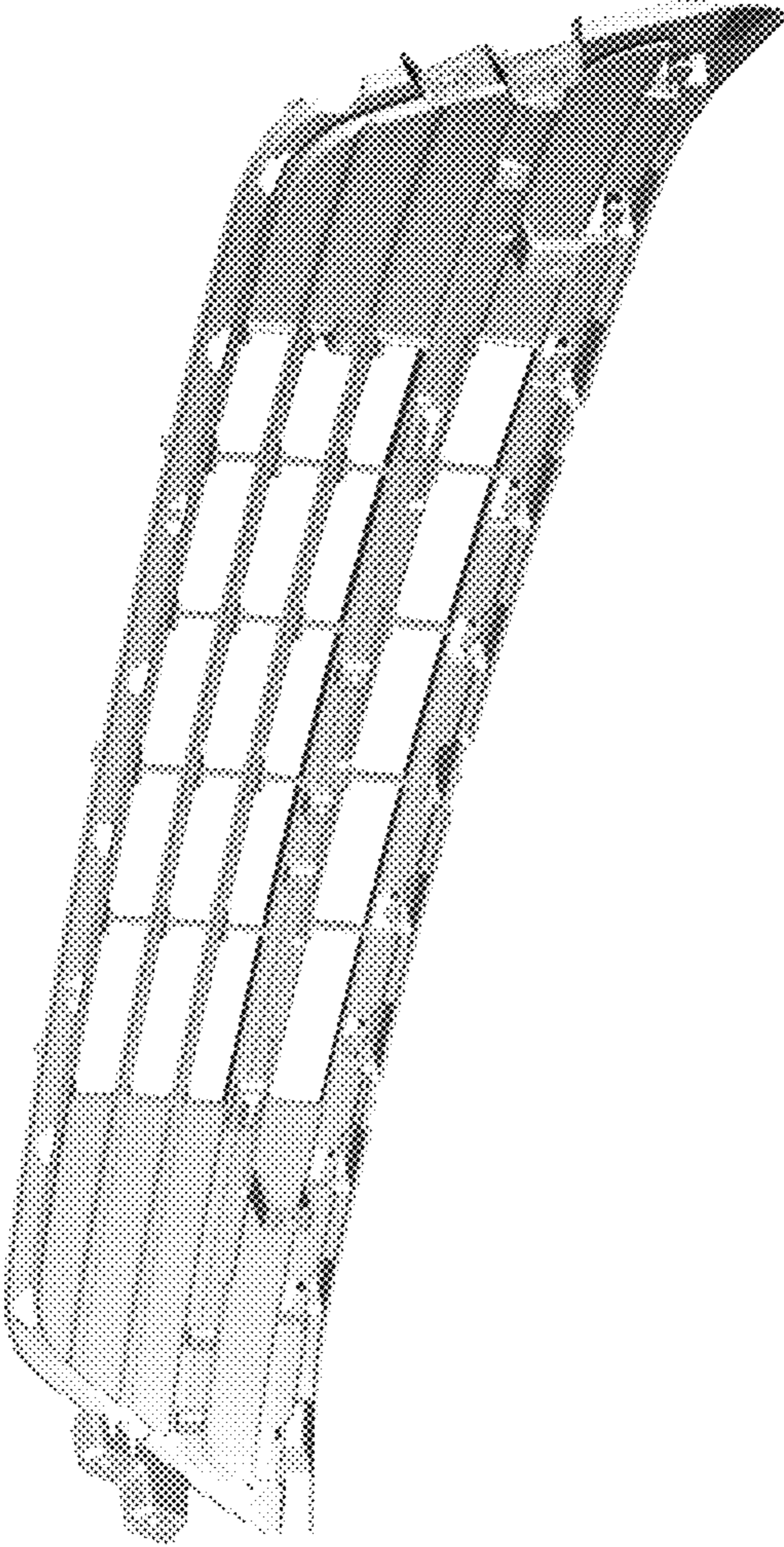


Fig. 3

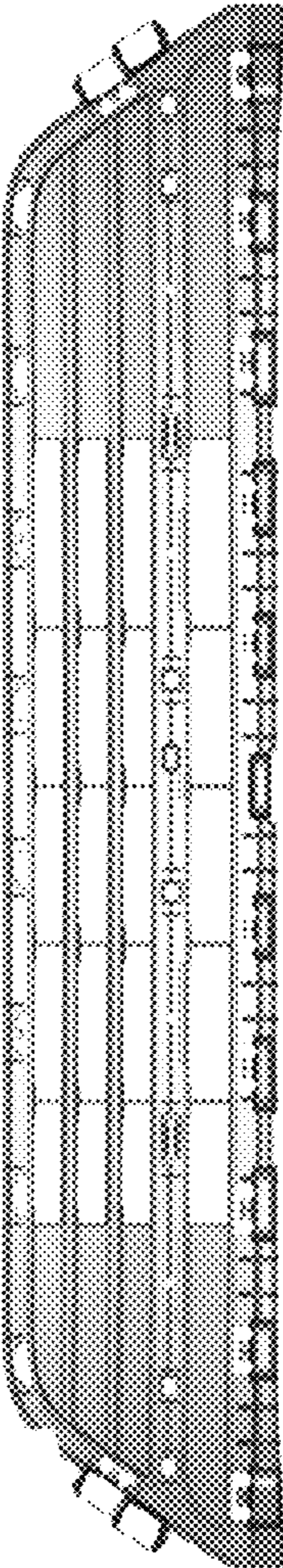


Fig. 4

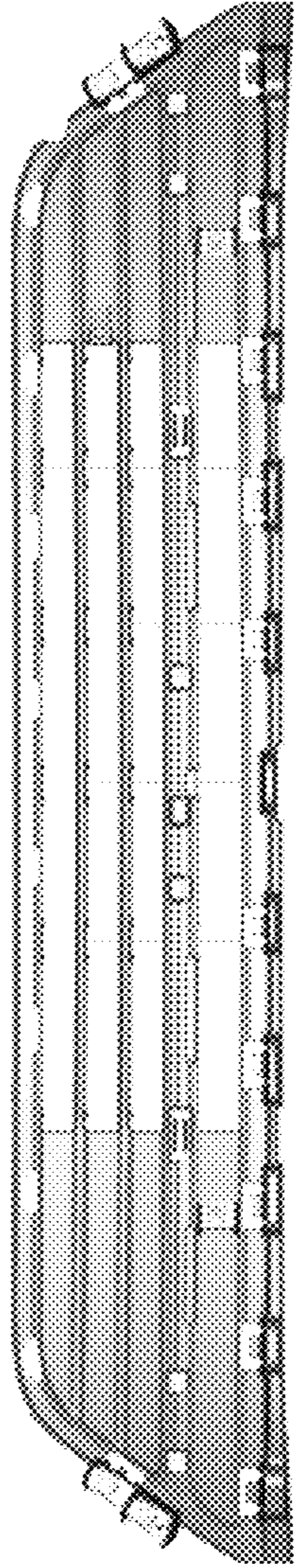


Fig. 5

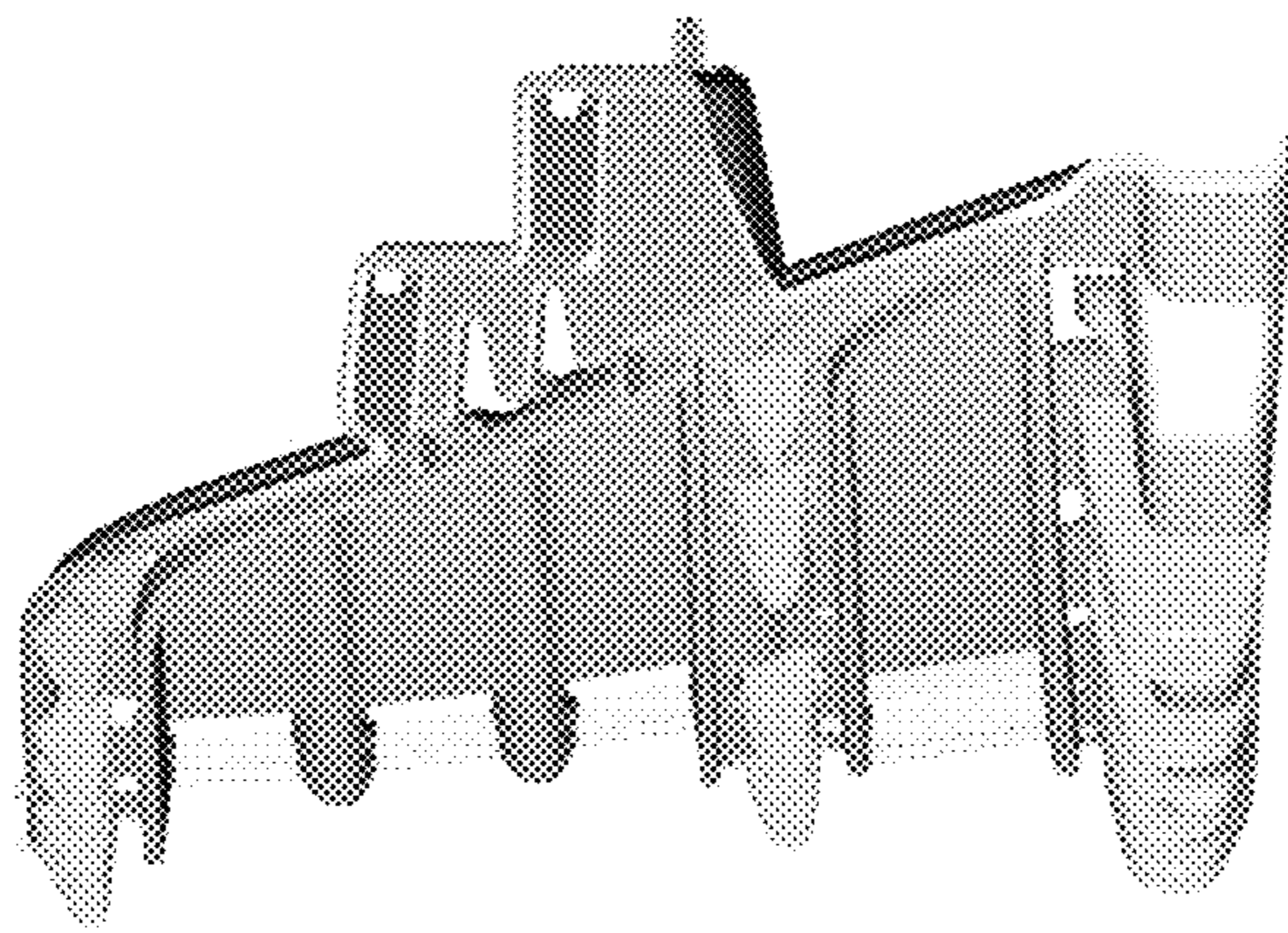


Fig. 6

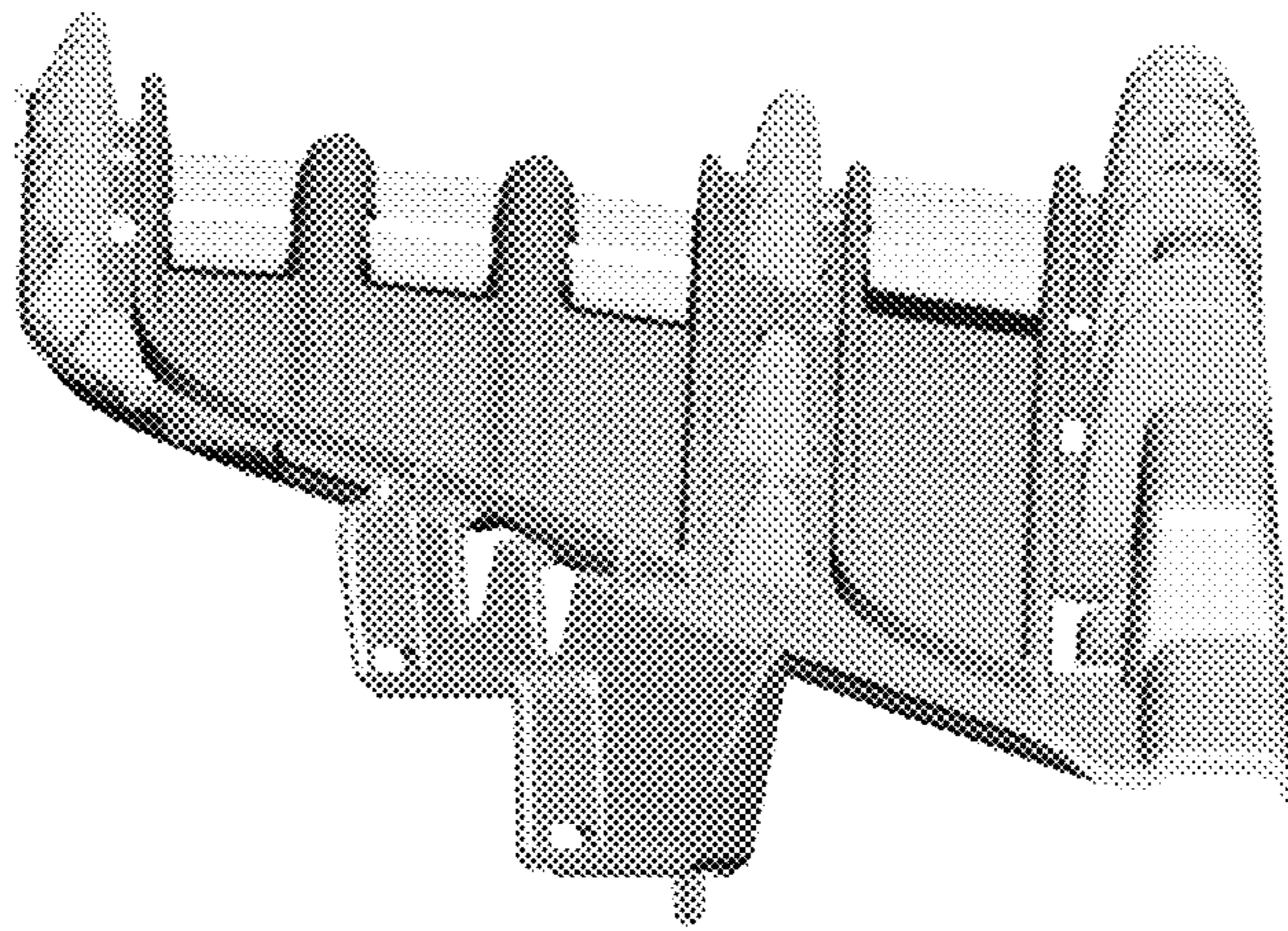


Fig. 7

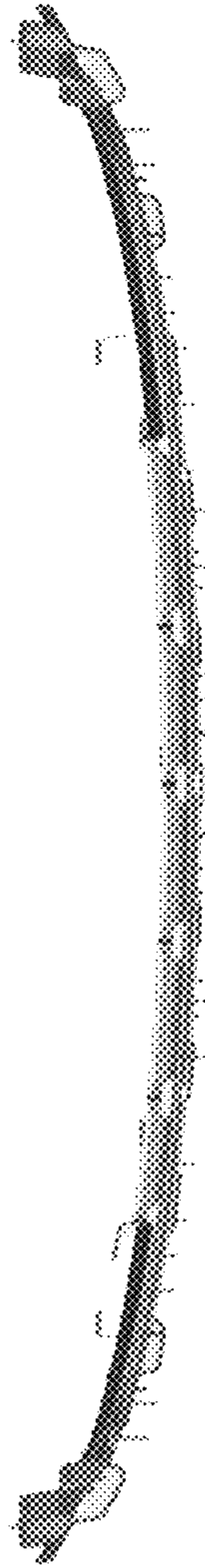


Fig. 8

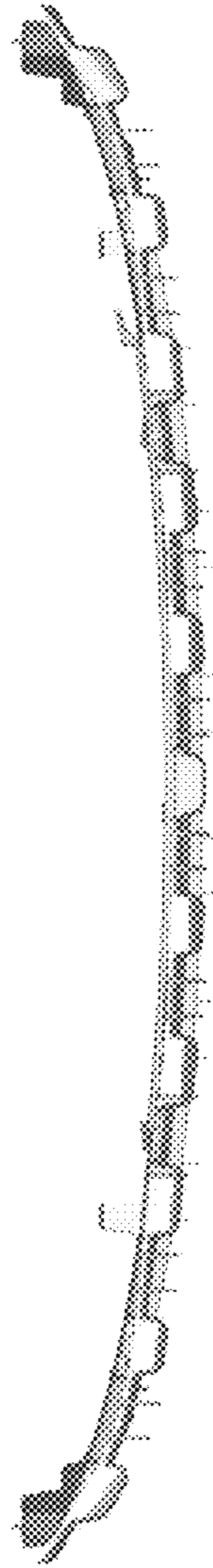


Fig. 9