



US00D789839S

(12) **United States Design Patent**
Wolters et al.

(10) **Patent No.:** **US D789,839 S**
(45) **Date of Patent:** **** Jun. 20, 2017**

(54) **SCREW RETENTION FOR INTERBODY IMPLANT**

(71) Applicant: **Life Spine, Inc.**, Huntley, IL (US)

(72) Inventors: **Madeline C. Wolters**, Carol Stream, IL (US); **James A. Rinner**, Franksville, WI (US); **Michael S. Butler**, St. Charles, IL (US); **Seetal K. Erramilli**, Naperville, IL (US)

(73) Assignee: **Life Spine, Inc.**, Huntley, IL (US)

(**) Term: **14 Years**

(21) Appl. No.: **29/521,642**

(22) Filed: **Mar. 25, 2015**

Related U.S. Application Data

(63) Continuation of application No. 13/459,137, filed on Apr. 28, 2012, now Pat. No. 9,017,412.

(51) **LOC (10) Cl.** **12-12**

(52) **U.S. Cl.**
USPC **D12/133**

(58) **Field of Classification Search**

USPC D24/155-157; D8/398, 385, 51
CPC B25B 13/5091; F16B 37/02; F16B 37/16;
A61F 2/4611; A61F 2/442; A61F 2/447;
A61F 2220/0025; A61F 2310/00023;
A61F 2310/00017; A61F 2002/4475;
A61F 2002/30841; A61F 2002/2835;
A61F 2002/30904; A61F 2002/30785;
A61F 2002/443; A61F 2002/30578

See application file for complete search history.

(56) **References Cited**

U.S. PATENT DOCUMENTS

1,919,728 A * 7/1933 Kellogg F16B 37/16
411/435
2,383,141 A * 8/1945 Maage, Jr. F16B 37/02
411/435

2,401,856 A 6/1946 Brock
3,741,205 A 6/1973 Markolf et al.
4,298,993 A 11/1981 Kovaleva et al.
4,388,921 A 6/1983 Sutter et al.
4,794,918 A 1/1989 Wolter
4,808,185 A 2/1989 Penenberg et al.

(Continued)

FOREIGN PATENT DOCUMENTS

CH 674927 A5 8/1990
DE 29 33 141 A1 4/1980

(Continued)

OTHER PUBLICATIONS

International Search Report for International Application No. PCT/US04/43172, dated Nov. 1, 2005, 4 pages.

Primary Examiner — Charles Hanson

(74) *Attorney, Agent, or Firm* — Foley & Lardner LLP

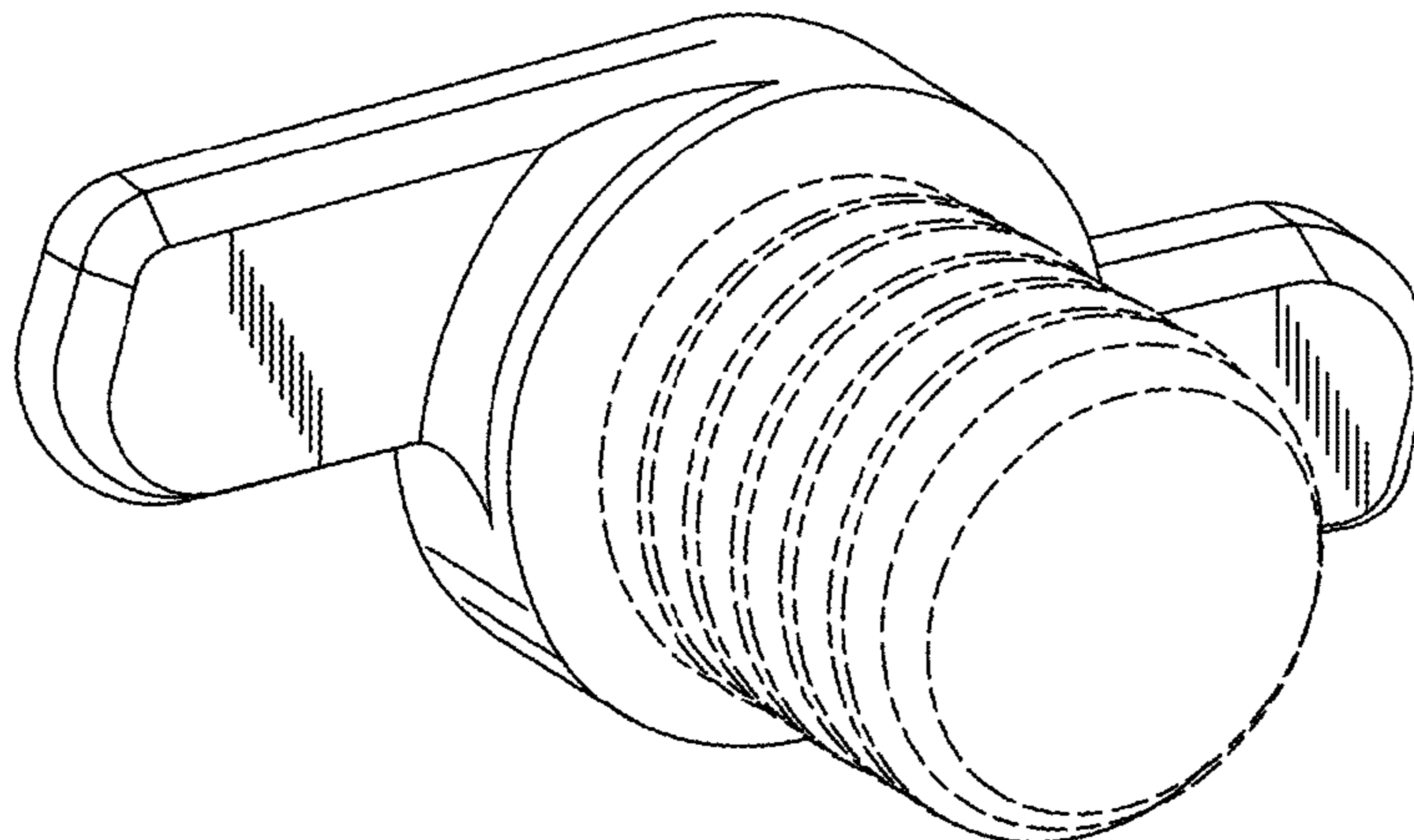
(57) **CLAIM**

We claim the ornamental design for a screw retention for interbody implant, as shown and described.

DESCRIPTION

FIG. 1 is a perspective view of an embodiment of the claimed design;
FIG. 2 is a bottom view thereof;
FIG. 3 is a top view thereof;
FIG. 4 is a right side view thereof, the left side view is identical to the right side view;
FIG. 5 is a front view thereof, the rear view is identical to the front view; and,
FIG. 6 is another perspective view thereof.
The broken lines are included for the purpose of illustrating unclaimed subject matter and form no part of the claimed design.

1 Claim, 4 Drawing Sheets



(56)

References Cited

U.S. PATENT DOCUMENTS

4,904,261 A 2/1990 Dove et al.
 D313,471 S * 1/1991 Bremer D24/147
 5,197,839 A * 3/1993 Willey B21J 15/42
 411/103
 5,364,399 A 11/1994 Lowery et al.
 5,514,180 A 5/1996 Heggeness et al.
 5,534,027 A 7/1996 Hodorek
 5,888,223 A 3/1999 Bray, Jr.
 5,951,558 A 9/1999 Fiz
 6,099,531 A 8/2000 Bonutti
 6,139,550 A 10/2000 Michelson
 6,152,927 A 11/2000 Farris et al.
 6,193,721 B1 2/2001 Michelson
 6,224,602 B1 5/2001 Hayes
 6,228,085 B1 5/2001 Theken et al.
 6,235,034 B1 5/2001 Bray
 6,258,089 B1 7/2001 Campbell et al.
 6,273,889 B1 8/2001 Richelsoph
 6,306,136 B1 10/2001 Baccelli
 6,364,881 B1 4/2002 Apgar et al.
 6,398,783 B1 6/2002 Michelson
 6,402,756 B1 6/2002 Ralph et al.
 6,413,259 B1 7/2002 Lyons et al.
 6,423,063 B1 7/2002 Bonutti
 6,428,542 B1 8/2002 Michelson
 6,432,106 B1 8/2002 Fraser
 6,447,544 B1 9/2002 Michelson
 6,454,769 B2 9/2002 Wagner et al.
 6,503,250 B2 1/2003 Paul
 6,533,786 B1 3/2003 Needham et al.
 6,599,290 B2 7/2003 Bailey et al.
 6,602,257 B1 8/2003 Thramann
 6,620,163 B1 9/2003 Michelson
 6,629,998 B1 10/2003 Lin
 6,669,700 B1 12/2003 Farris et al.
 6,695,846 B2 2/2004 Richelsoph et al.
 6,730,127 B2 5/2004 Michelson
 D510,260 S * 10/2005 Jennings D8/398
 6,974,460 B2 12/2005 Carbone et al.
 7,001,385 B2 2/2006 Bonutti
 7,232,463 B2 6/2007 Falahee
 7,780,670 B2 8/2010 Bonutti
 D625,977 S * 10/2010 Watson D23/262
 7,862,614 B2 1/2011 Keller et al.
 7,862,616 B2 1/2011 Lechmann et al.
 7,892,261 B2 2/2011 Bonutti
 7,972,363 B2 7/2011 Moskowitz et al.
 8,137,405 B2 3/2012 Kostuik et al.
 D658,046 S * 4/2012 Austin, III D8/385
 8,182,539 B2 5/2012 Tyber et al.
 8,419,778 B2 4/2013 Barry
 8,419,797 B2 4/2013 Biedermann et al.
 8,603,145 B2 12/2013 Forton et al.
 D706,127 S * 6/2014 Hohmann, Jr. D8/398
 8,784,498 B2 7/2014 Scheland
 8,882,813 B2 11/2014 Jones et al.
 8,956,417 B2 2/2015 Bonutti
 9,017,412 B2 4/2015 Wolters et al.
 9,044,341 B2 6/2015 Bonutti
 9,364,342 B2 6/2016 Walkenhorst et al.
 2001/0041894 A1 11/2001 Campbell et al.
 2002/0045896 A1 4/2002 Michelson
 2002/0045899 A1 4/2002 Errico et al.
 2002/0111630 A1 8/2002 Ralph et al.
 2002/0120273 A1 8/2002 Needham et al.
 2002/0128655 A1 9/2002 Michelson
 2002/0143336 A1 10/2002 Hearn
 2002/0147450 A1 10/2002 LeHuec et al.
 2002/0151899 A1 10/2002 Bailey et al.
 2002/0183754 A1 12/2002 Michelson
 2002/0183755 A1 12/2002 Michelson
 2002/0183756 A1 12/2002 Michelson
 2002/0183757 A1 12/2002 Michelson

2002/0188296 A1 12/2002 Michelson
 2003/0023242 A1 1/2003 Harrington, Jr.
 2003/0040749 A1 2/2003 Grabowski et al.
 2003/0060828 A1 3/2003 Michelson
 2003/0083658 A1 5/2003 Hawkes et al.
 2003/0105462 A1 6/2003 Haider
 2003/0105526 A1 6/2003 Bryant et al.
 2004/0034356 A1 2/2004 LeHuec et al.
 2004/0068319 A1 4/2004 Cordaro
 2004/0087951 A1 5/2004 Khalili
 2004/0102773 A1 5/2004 Morrison et al.
 2004/0122426 A1 6/2004 Michelson
 2004/0127896 A1 7/2004 Lombardo et al.
 2004/0127897 A1 7/2004 Freid et al.
 2004/0127899 A1 7/2004 Konieczynski et al.
 2004/0181226 A1 9/2004 Michelson
 2004/0181229 A1 9/2004 Michelson
 2004/0186476 A1 9/2004 Michelson
 2004/0204712 A1 10/2004 Kolb et al.
 2004/0220571 A1 11/2004 Assaker et al.
 2004/0220572 A1 11/2004 Michelson
 2004/0236335 A1 11/2004 Michelson
 2005/0027297 A1 2/2005 Michelson
 2005/0027298 A1 2/2005 Michelson
 2005/0033298 A1 2/2005 Hawkes et al.
 2005/0043732 A1 2/2005 Dalton
 2005/0059971 A1 3/2005 Michelson
 2005/0075633 A1 4/2005 Ross
 2006/0162506 A1 * 7/2006 Kirchgaessler B25B 13/5091
 81/124.2
 2006/0206208 A1 9/2006 Michelson
 2008/0149569 A1 6/2008 Rai et al.
 2008/0249569 A1 10/2008 Waugh et al.
 2009/0088808 A1 4/2009 Lindemann et al.
 2009/0105830 A1 4/2009 Jones et al.
 2009/0287249 A1 11/2009 Reynolds et al.
 2010/0106249 A1 4/2010 Tyber et al.
 2010/0145459 A1 6/2010 McDonough et al.
 2010/0145460 A1 6/2010 McDonough et al.
 2010/0152785 A1 6/2010 Forton et al.
 2010/0249935 A1 9/2010 Slivka et al.
 2010/0312345 A1 12/2010 Duffield et al.
 2011/0009966 A1 1/2011 Michelson
 2011/0166658 A1 7/2011 Garber et al.
 2011/0178559 A1 7/2011 Barry
 2011/0230969 A1 9/2011 Biedermann et al.
 2012/0065734 A1 3/2012 Barrett et al.
 2012/0126532 A1 * 5/2012 Herndon F16L 19/0231
 285/81
 2012/0203348 A1 8/2012 Michelson
 2012/0215318 A1 8/2012 Michelson
 2012/0232599 A1 9/2012 Schoenly et al.
 2012/0265301 A1 10/2012 Demers et al.
 2013/0218279 A1 8/2013 Michelson
 2013/0245688 A1 9/2013 Biedermann et al.
 2013/0268008 A1 10/2013 McDonough et al.
 2014/0142705 A1 5/2014 Duffield et al.
 2014/0163684 A1 6/2014 Donner et al.
 2015/0025637 A1 1/2015 Moskowitz et al.
 2015/0032115 A1 1/2015 Laposta et al.
 2015/0164564 A1 6/2015 Reiley
 2015/0216674 A1 8/2015 Wolters et al.
 2015/0216675 A1 8/2015 McDonough et al.
 2015/0238317 A1 8/2015 Bonutti
 2015/0305883 A1 10/2015 Garber et al.

FOREIGN PATENT DOCUMENTS

EP 0 179 695 A1 4/1986
 EP 0 313 762 A1 5/1989
 FR 2651996 A3 3/1991
 WO WO-91/03994 A1 4/1991
 WO WO-95/30389 A1 11/1995
 WO WO-96/03096 A1 2/1996
 WO WO-96/23457 A1 8/1996

* cited by examiner

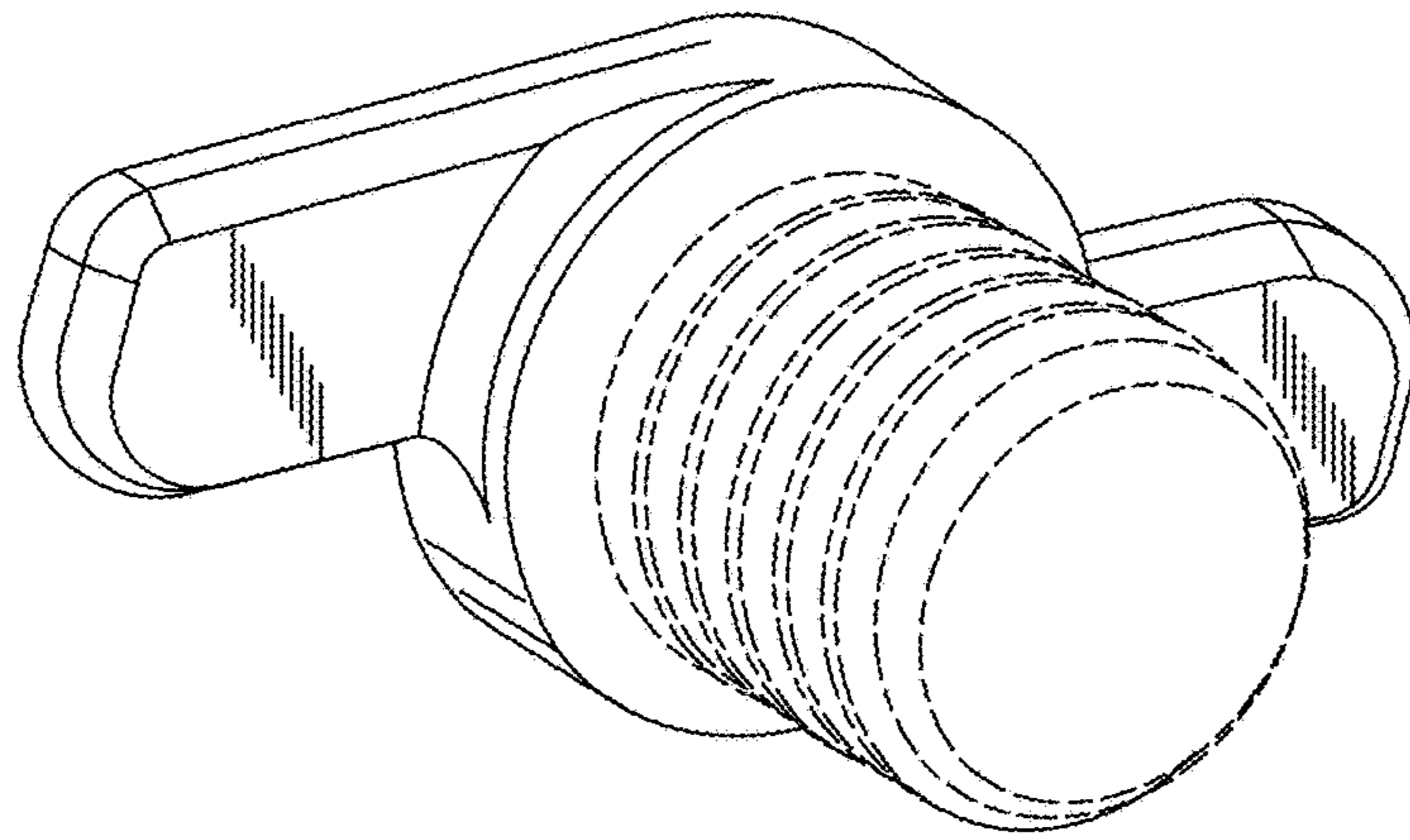


Fig. 1

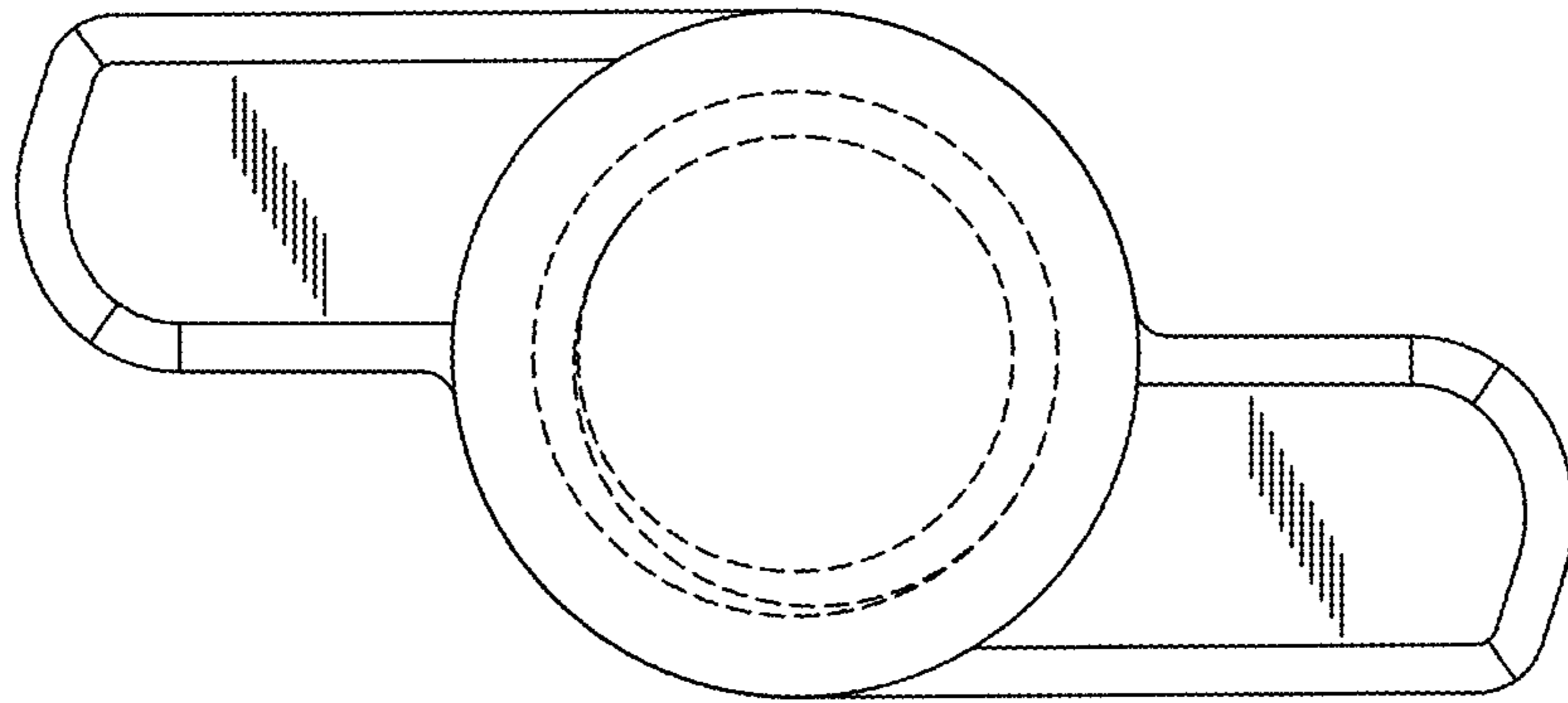


Fig. 2

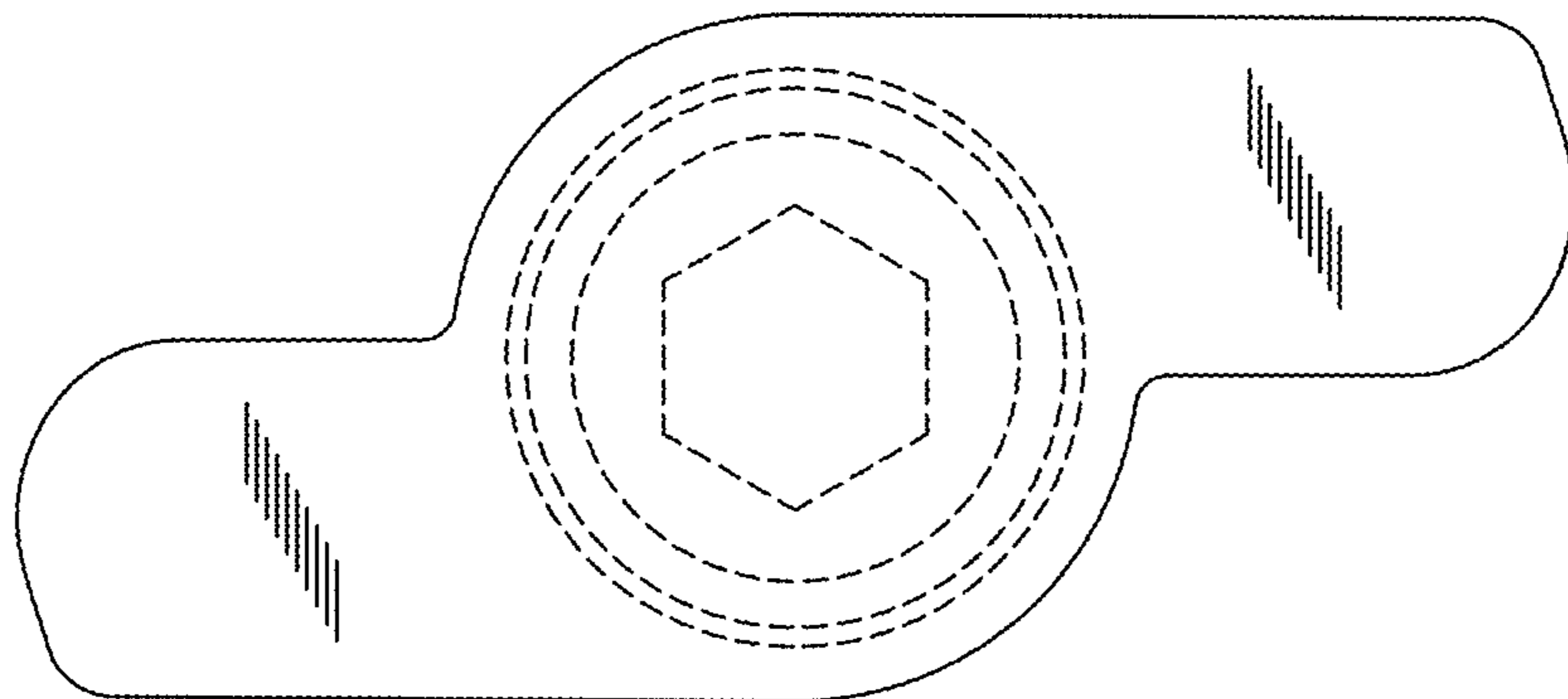


Fig. 3

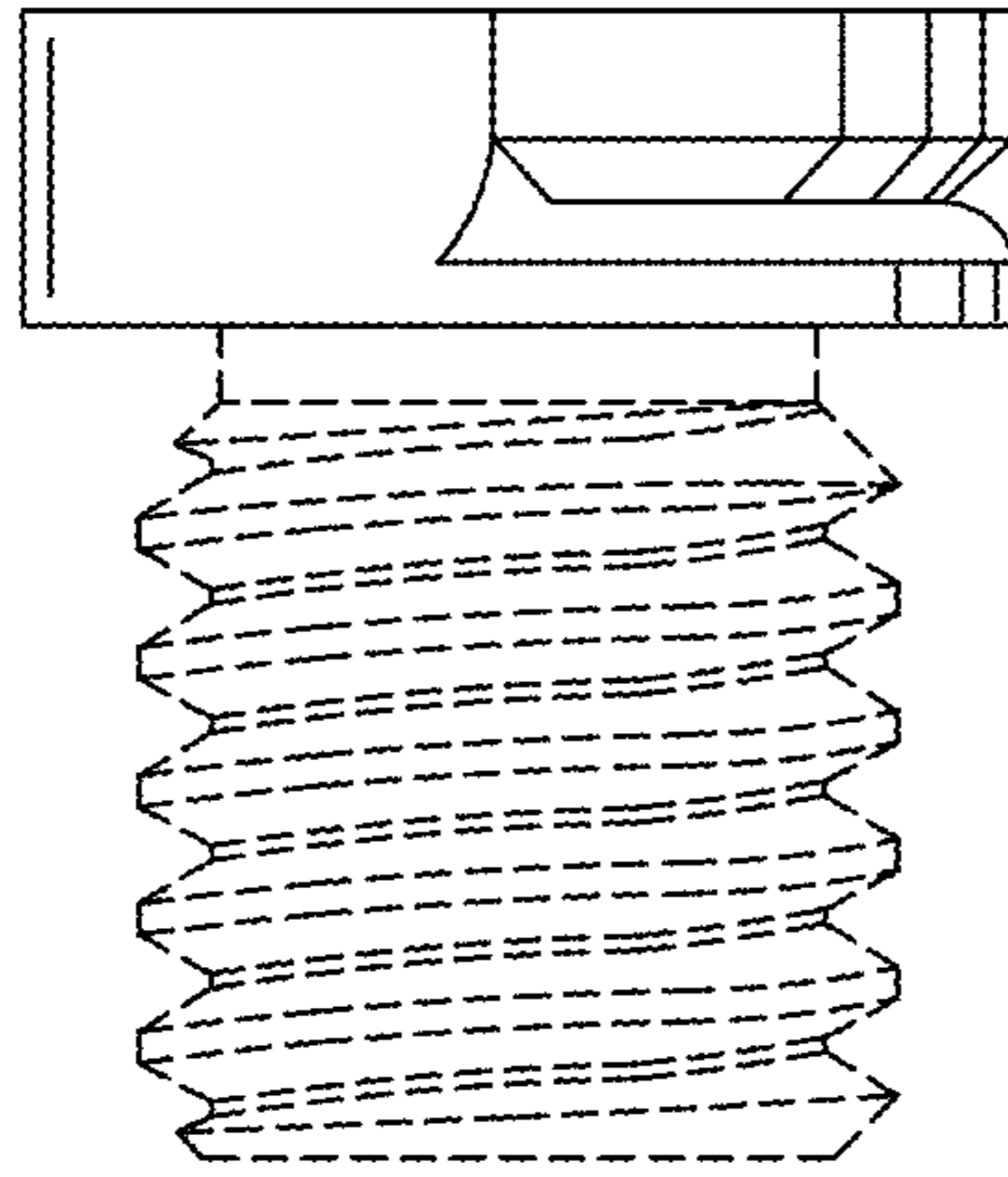


Fig. 4

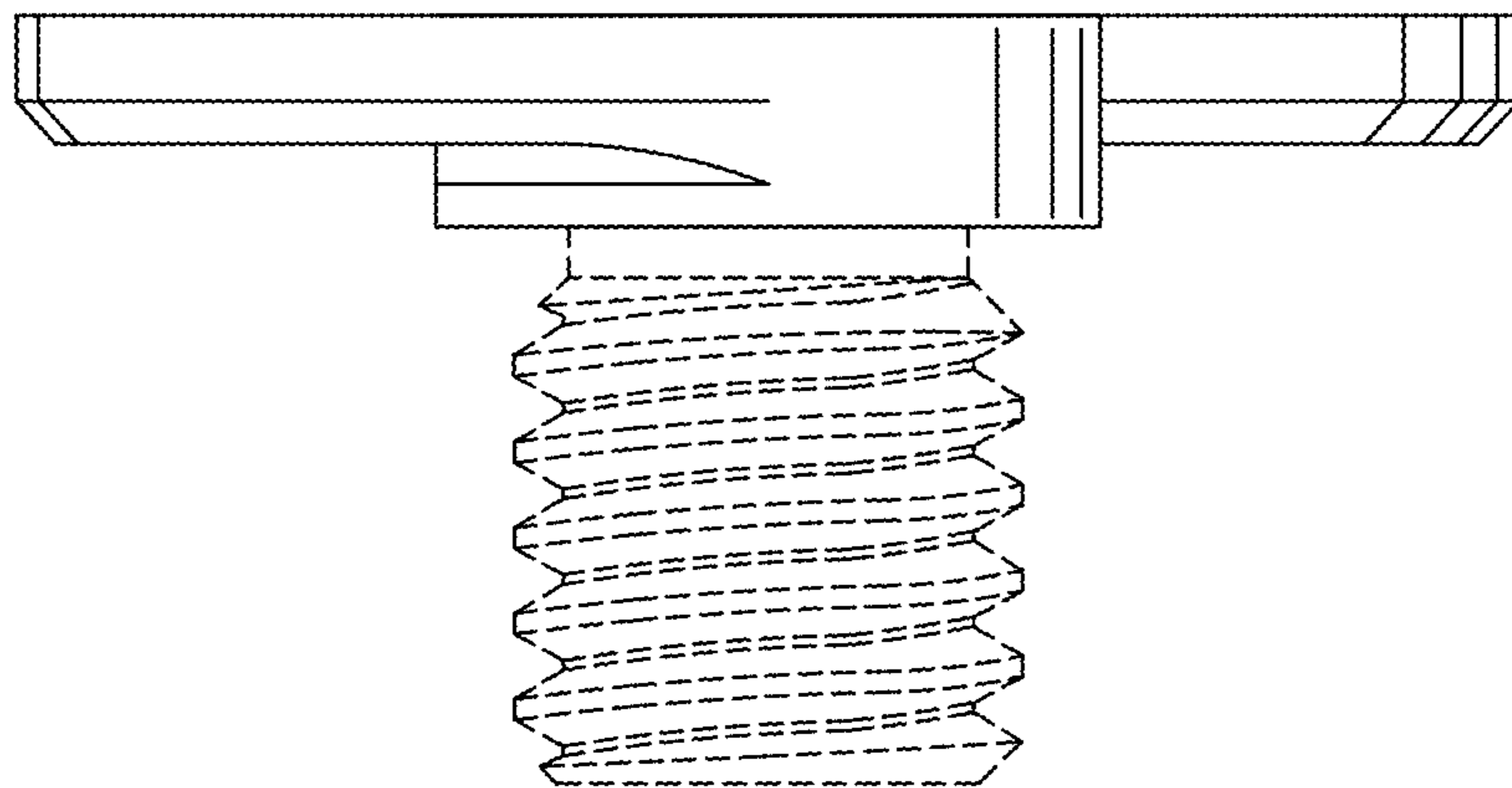


Fig. 5

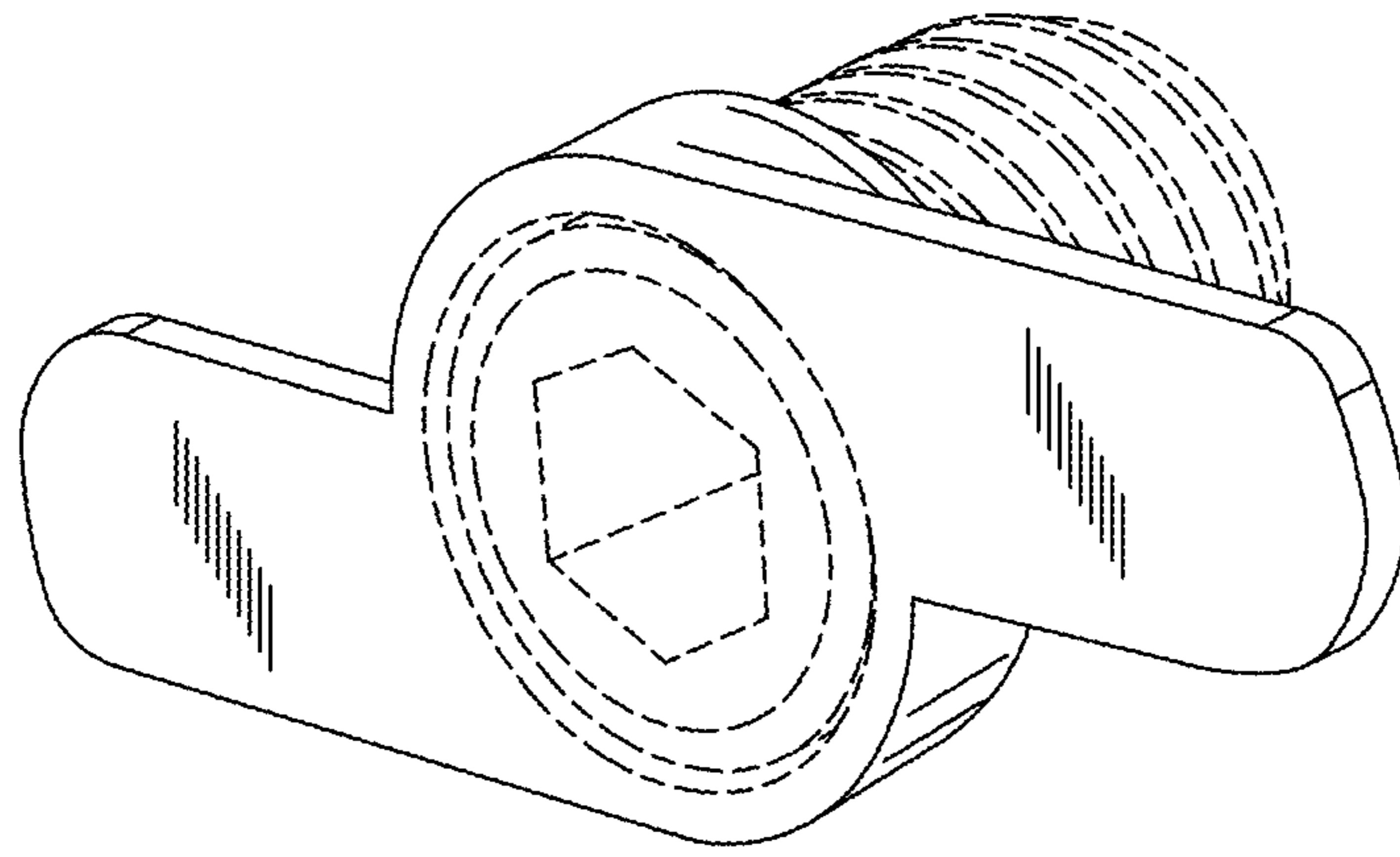


Fig. 6