



US00D789838S

(12) **United States Design Patent**
Johar

(10) **Patent No.:** **US D789,838 S**
(45) **Date of Patent:** **** Jun. 20, 2017**

(54) **CONVERTIBLE CHILD CARRIAGE**

(71) Applicant: **Jaspal Singh Johar**, Los Angeles, CA
(US)

(72) Inventor: **Jaspal Singh Johar**, Los Angeles, CA
(US)

(**) Term: **15 Years**

(21) Appl. No.: **29/577,275**

(22) Filed: **Sep. 12, 2016**

(51) **LOC (10) Cl.** **12-12**

(52) **U.S. Cl.**
USPC **D12/129**

(58) **Field of Classification Search**
USPC D12/128–133
CPC B62B 7/00–7/04; B62B 9/00–9/28
See application file for complete search history.

(56) **References Cited**

U.S. PATENT DOCUMENTS

- D308,656 S * 6/1990 Takahashi D12/129
- D342,614 S * 12/1993 Collins D6/333
- D423,416 S * 4/2000 Shepherd D12/129
- D482,641 S * 11/2003 Hansen D12/129
- D495,978 S * 9/2004 Carpenter D12/129
- D508,220 S * 8/2005 Spriggs D12/129
- D526,601 S * 8/2006 Oxseth D12/129
- D527,316 S * 8/2006 Oxseth D12/129

- D602,819 S * 10/2009 van Buul D12/129
- D631,402 S * 1/2011 Bagwell D12/129
- D654,409 S * 2/2012 Angelfoss D12/133
- D661,624 S * 6/2012 Stopp D12/129
- D699,635 S * 2/2014 Slotteroy D12/133

* cited by examiner

Primary Examiner — Charles Hanson

(74) *Attorney, Agent, or Firm* — Omni Legal Group;
Omid E. Khalifeh

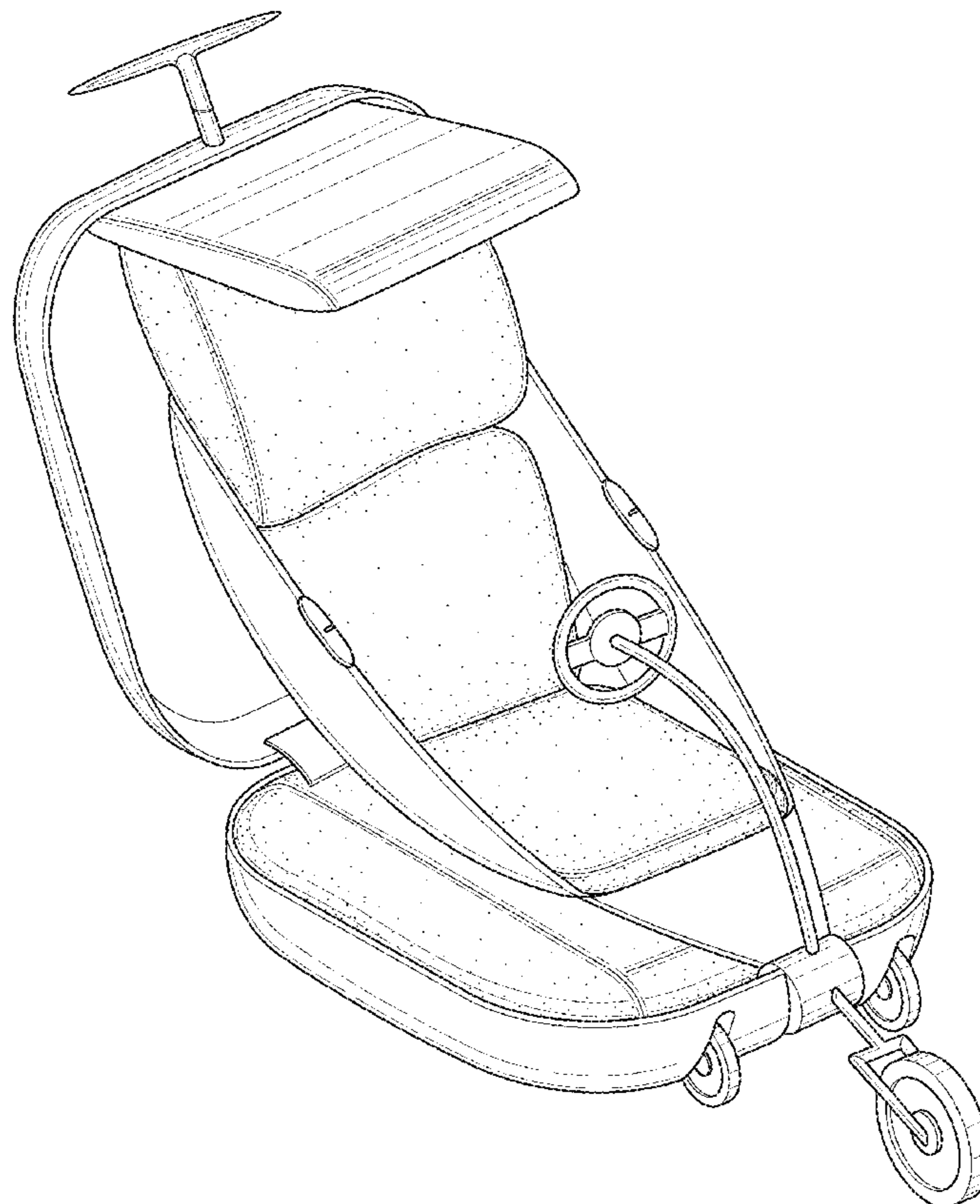
(57) **CLAIM**

The ornamental design for a convertible child carriage, as shown and described.

DESCRIPTION

FIG. 1 is a perspective view of convertible child carriage according to the present invention;
 FIG. 2 is a front view of a convertible child carriage according to the present invention;
 FIG. 3 is a rear view of a convertible child carriage according to the present invention;
 FIG. 4 is a right profile view of a convertible child carriage according to the present invention;
 FIG. 5 is a left profile view of convertible child carriage according to the present invention;
 FIG. 6 is a top-down view of a convertible child carriage according to the present invention; and,
 FIG. 7 is a bottom-up view of a convertible child carriage according to the present invention.

1 Claim, 6 Drawing Sheets



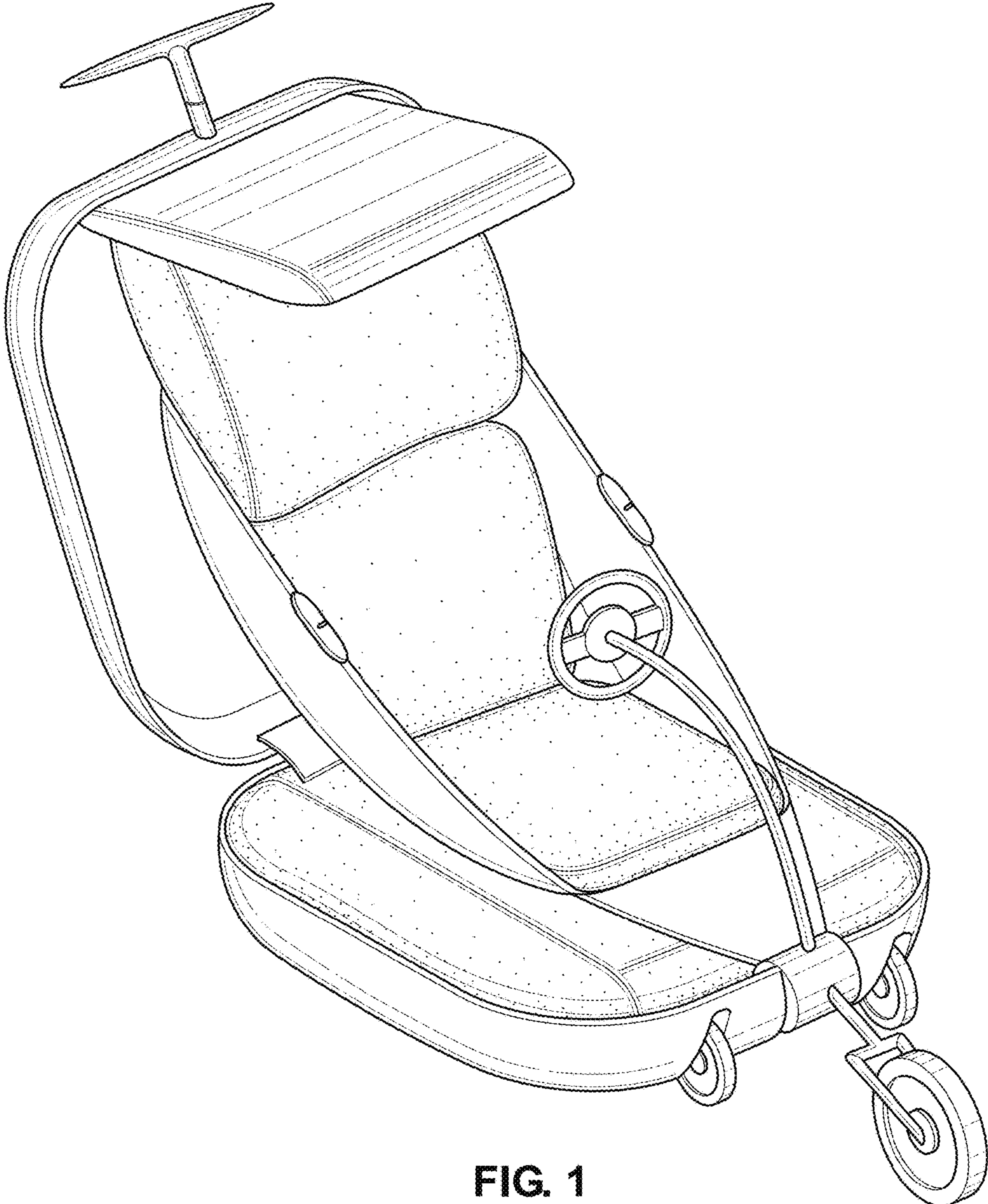


FIG. 1

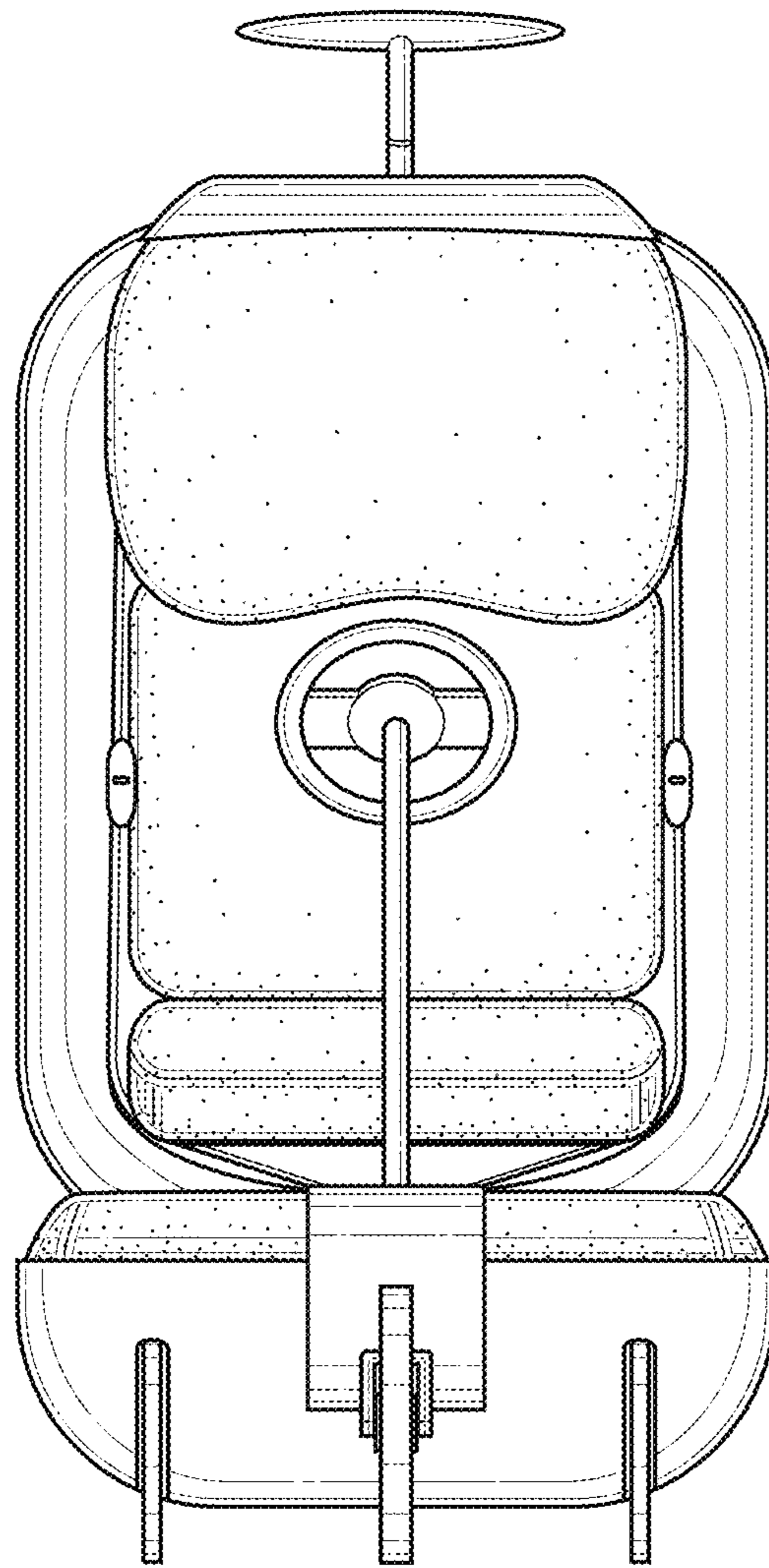


FIG. 2

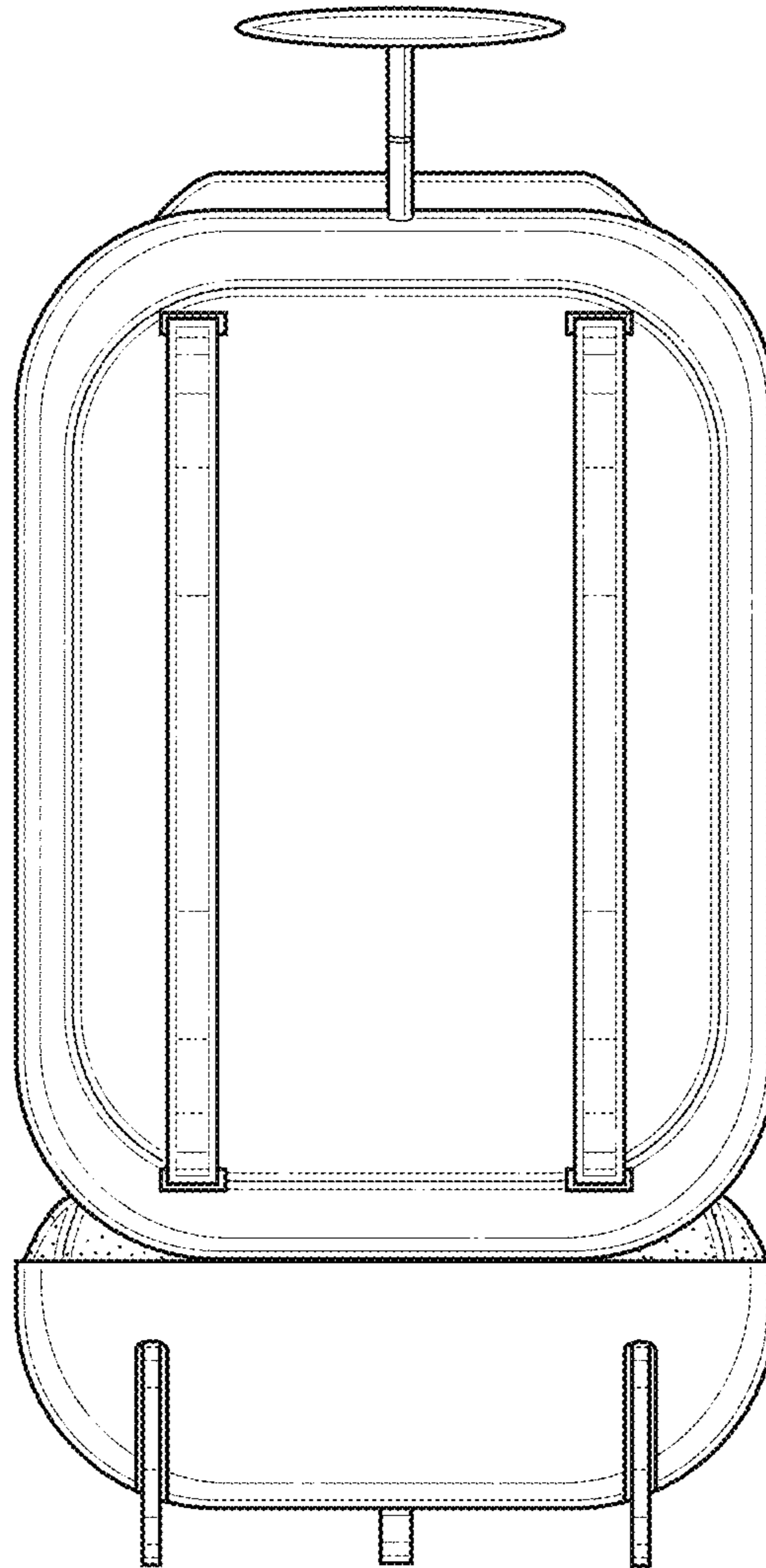


FIG. 3

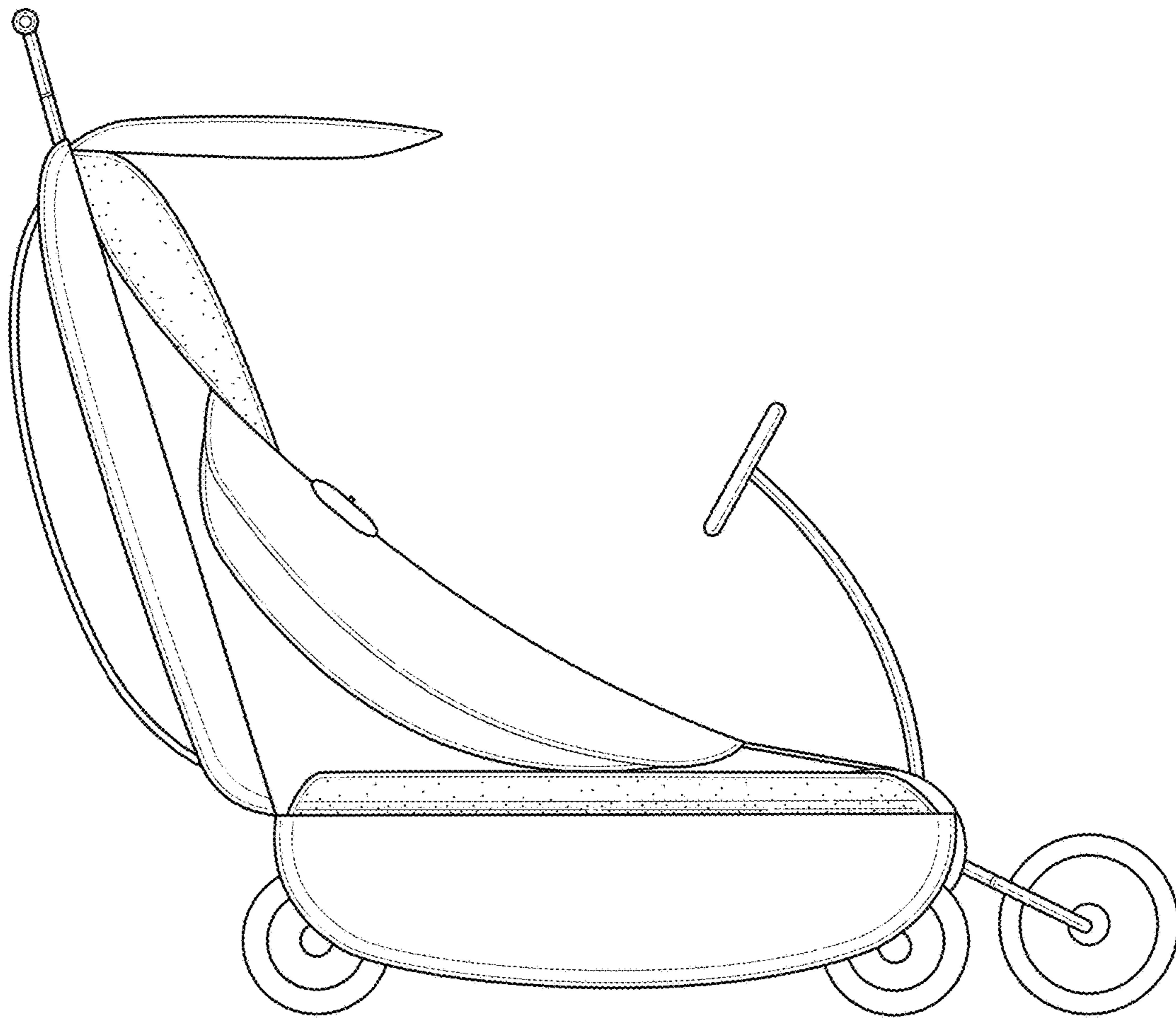


FIG. 4

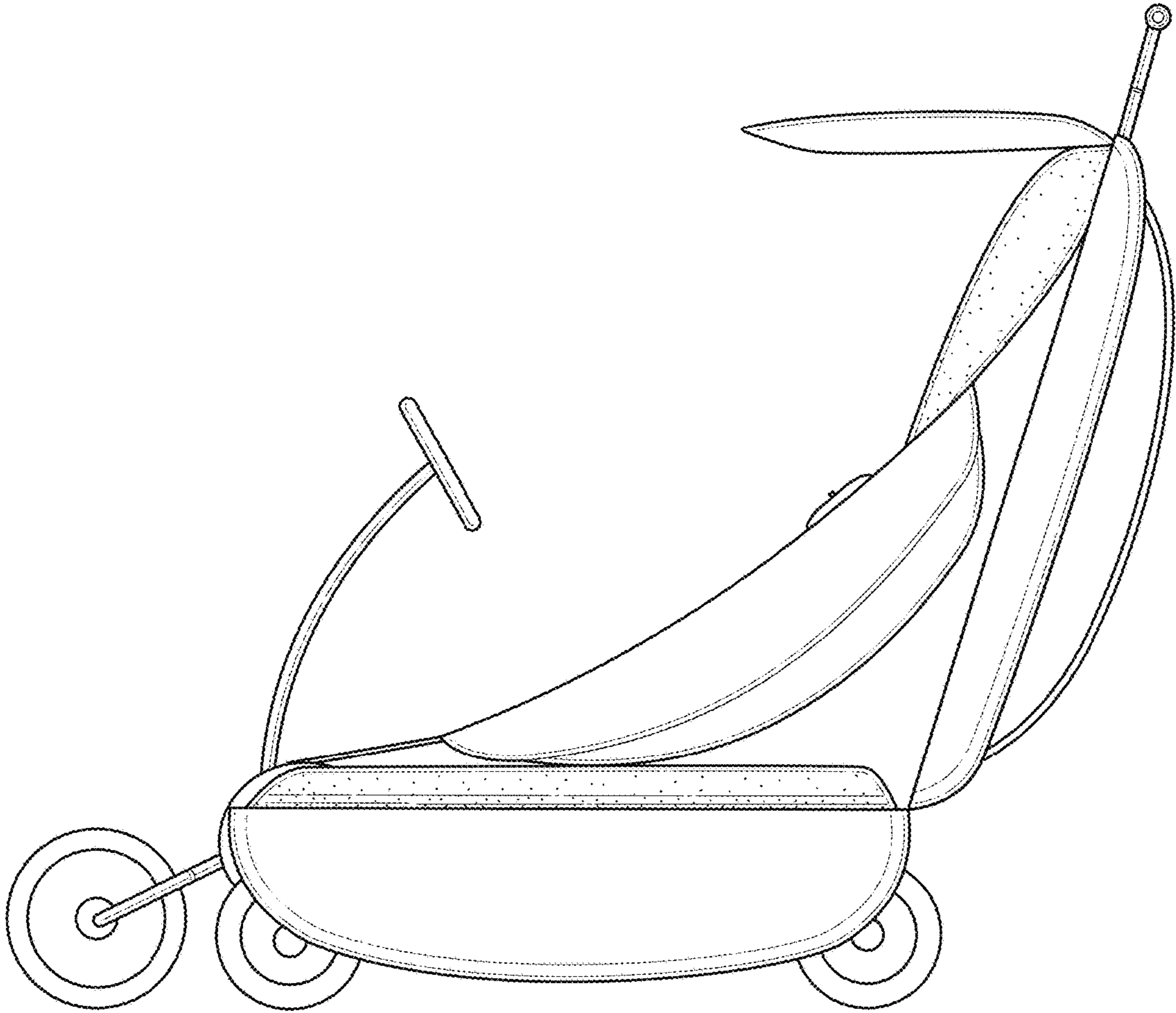


FIG. 5

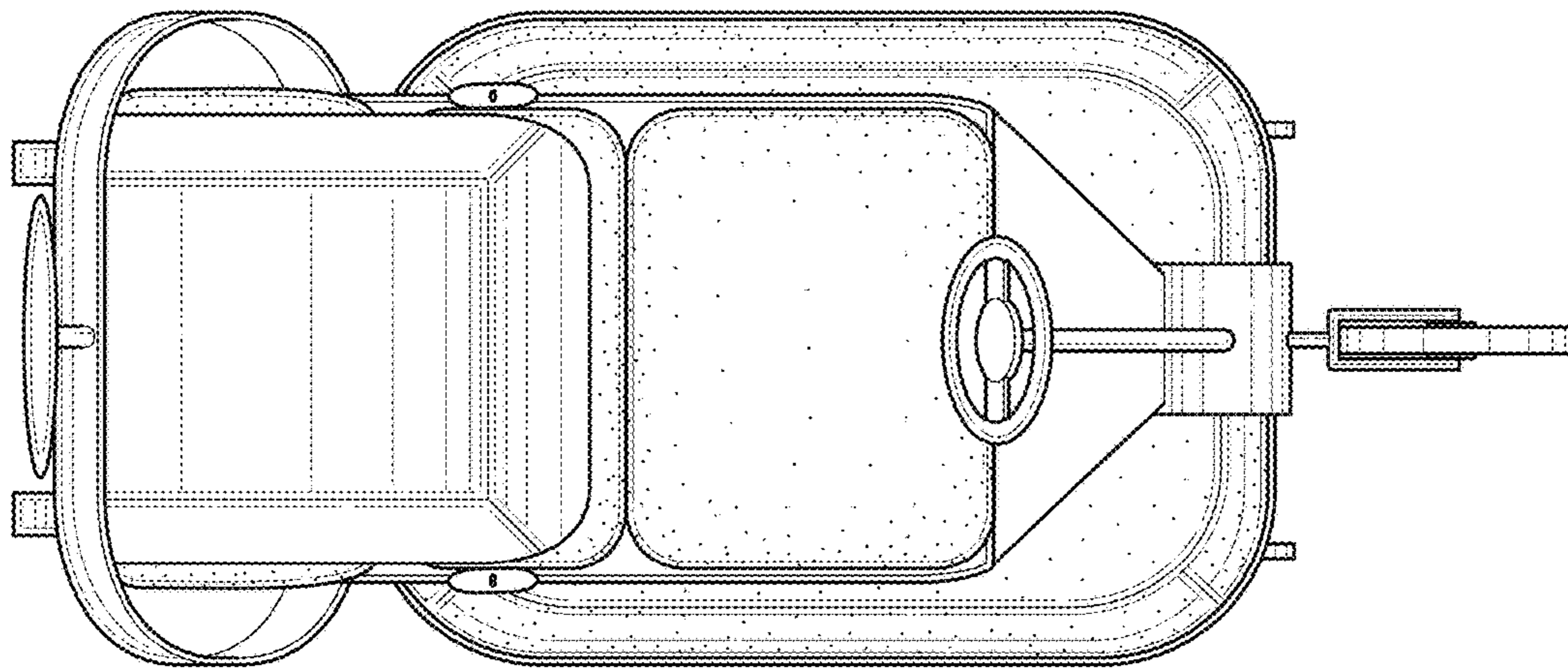


FIG. 6

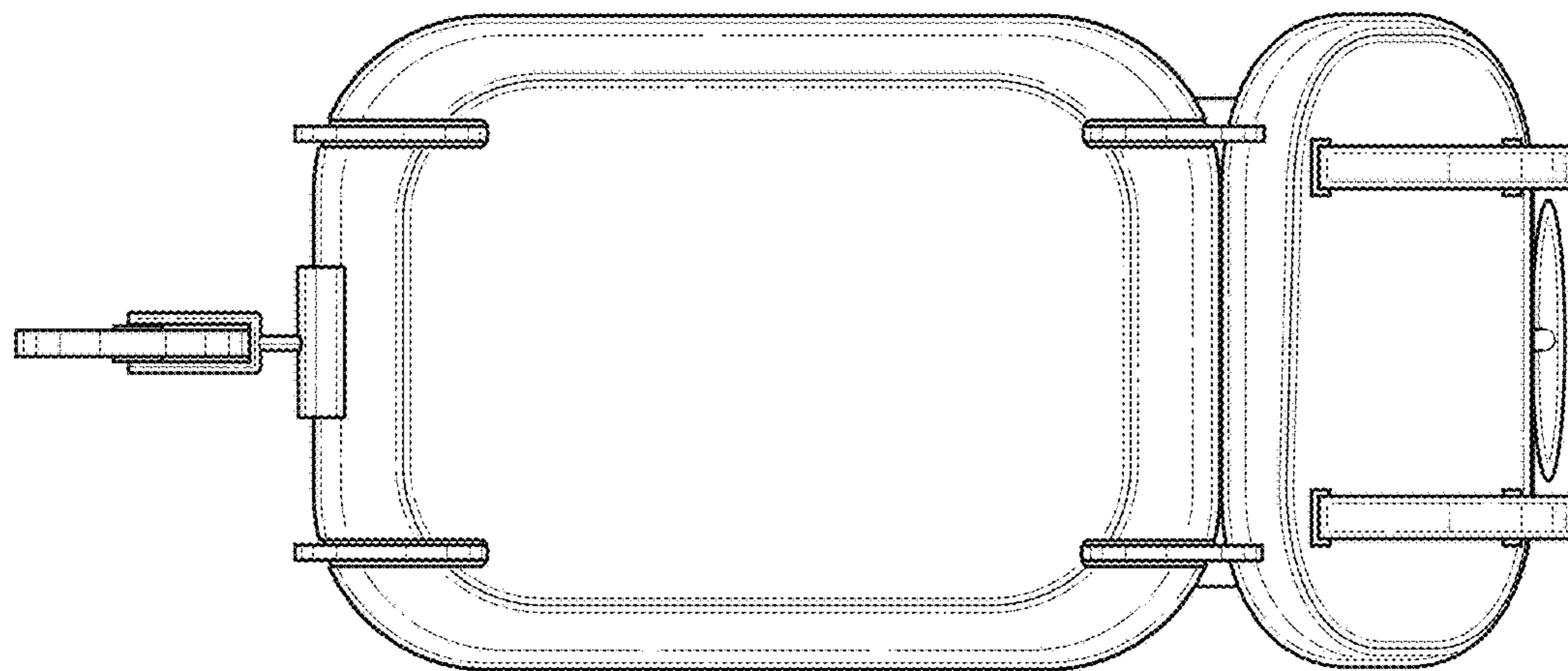


FIG. 7