



US00D789836S

(12) **United States Design Patent**  
**Gouin et al.**

(10) **Patent No.:** **US D789,836 S**

(45) **Date of Patent:** **\*\* Jun. 20, 2017**

(54) **BICYCLE**

(71) Applicant: **PBSC SOLUTIONS URBAINES INC.**, Longueuil (CA)

(72) Inventors: **Rémy Gouin**, Chicoutimi (CA);  
**Caroline Boily**, Laterrière (CA);  
**Michel Giroux**, Jonquière (CA);  
**Mikhael Simard**, St-Honoré (CA);  
**Bruno Gauthier**, Laterrière (CA);  
**Christophe Benoit-Riopel**, Chicoutimi (CA); **Jean-Paul Vaillancourt**, Montréal (CA)

(73) Assignee: **PBSC SOLUTIONS URBAINES INC.**, Longueuil, Quebec (CA)

(\*\*) Term: **15 Years**

(21) Appl. No.: **29/556,109**

(22) Filed: **Feb. 26, 2016**

(51) **LOC (10) Cl.** ..... **12-11**

(52) **U.S. Cl.**  
USPC ..... **D12/111**

(58) **Field of Classification Search**  
USPC ..... D12/111, 117; D21/419, 424;  
280/274–280, 281.1, 283–288,  
280/288.1–288.4  
CPC ... B62K 3/00; B62K 3/02; B62K 3/06; B62K  
3/08; B62K 9/00; B62K 15/00; B62K  
15/006; B62K 15/008; B62K 17/00  
See application file for complete search history.

(56) **References Cited**

**U.S. PATENT DOCUMENTS**

D393,432 S \* 4/1998 Yelverton ..... D12/111  
D396,670 S \* 8/1998 Wasserhess ..... D12/111

D400,826 S \* 11/1998 Accerenzi ..... D12/111  
D401,534 S \* 11/1998 Higashihara ..... D12/110  
D414,721 S \* 10/1999 Nakamura ..... D12/110  
D465,437 S \* 11/2002 van der Veer ..... D12/111  
D465,438 S \* 11/2002 Masui ..... D12/111  
D574,756 S \* 8/2008 Masui ..... D12/111  
D578,440 S \* 10/2008 Giugiaro ..... D12/111  
D594,787 S \* 6/2009 Dallaire ..... D12/111  
D620,400 S \* 7/2010 Haller ..... D12/111  
D620,401 S \* 7/2010 Haller ..... D12/111  
D621,302 S \* 8/2010 Tanaka ..... D12/111  
D625,228 S \* 10/2010 Lockart ..... D12/111  
D626,037 S \* 10/2010 Thetard ..... D12/111  
D634,673 S \* 3/2011 Lockart ..... D12/111  
D670,208 S \* 11/2012 Frenzel ..... D12/111  
D685,683 S \* 7/2013 Shaw ..... D12/111  
D689,409 S \* 9/2013 Yap ..... D12/111  
D727,214 S \* 4/2015 Yang ..... D12/111  
D727,215 S \* 4/2015 Yang ..... D12/111  
D730,779 S \* 6/2015 Arbour ..... D12/111  
D745,836 S \* 12/2015 Poster ..... D12/111

\* cited by examiner

*Primary Examiner* — Darlington Ly

(74) *Attorney, Agent, or Firm* — Merchant & Gould P.C.

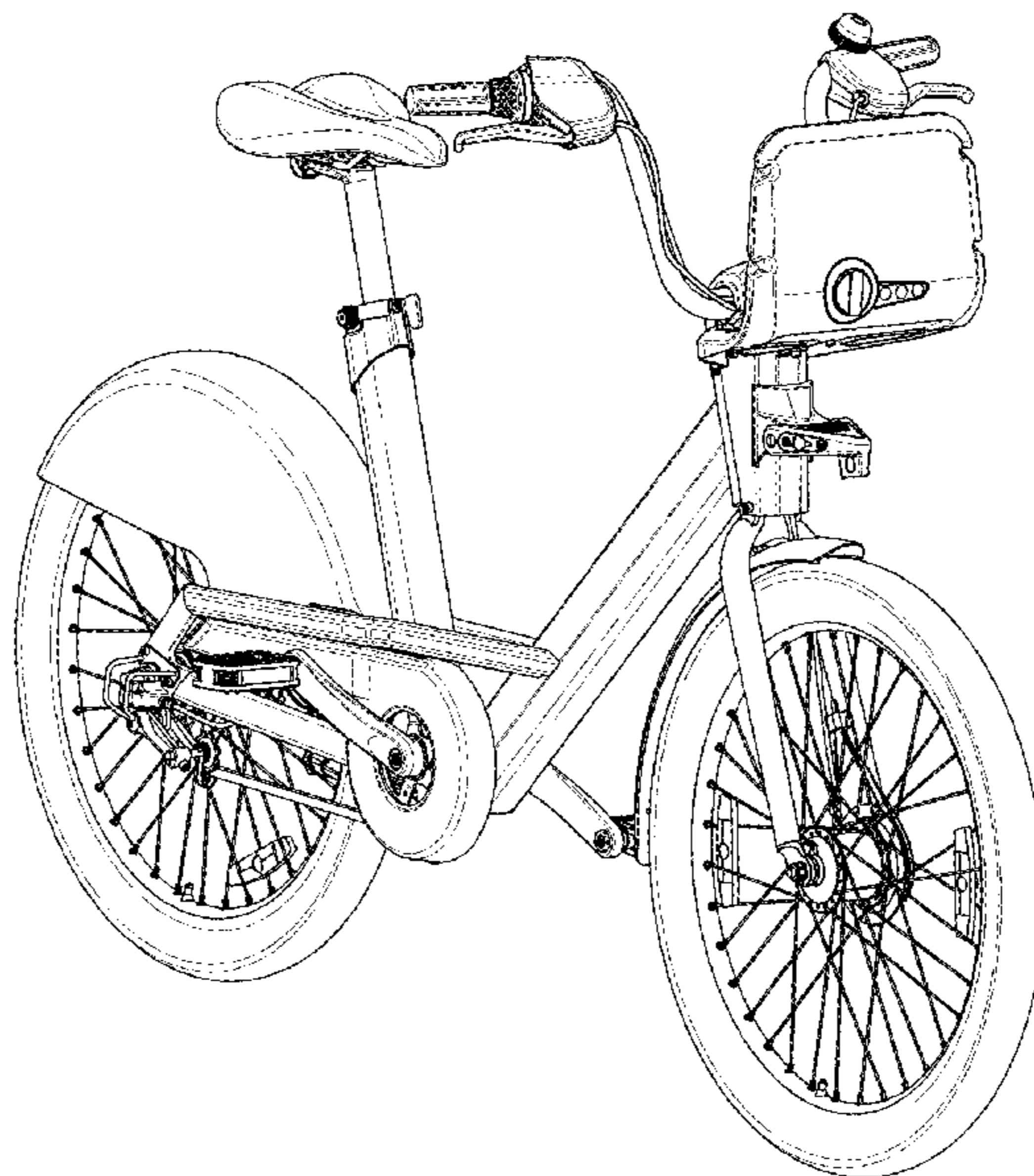
(57) **CLAIM**

The ornamental design for a bicycle, as shown and described.

**DESCRIPTION**

FIG. 1 is a front and right side perspective view of a bicycle showing our new design;  
FIG. 2 is a rear and left side perspective view thereof;  
FIG. 3 is a right side elevation view thereof;  
FIG. 4 is a left side elevation view thereof;  
FIG. 5 is a rear elevation view thereof;  
FIG. 6 is a front elevation view thereof;  
FIG. 7 is a top plan view thereof; and,  
FIG. 8 is a bottom plan view thereof.

**1 Claim, 7 Drawing Sheets**



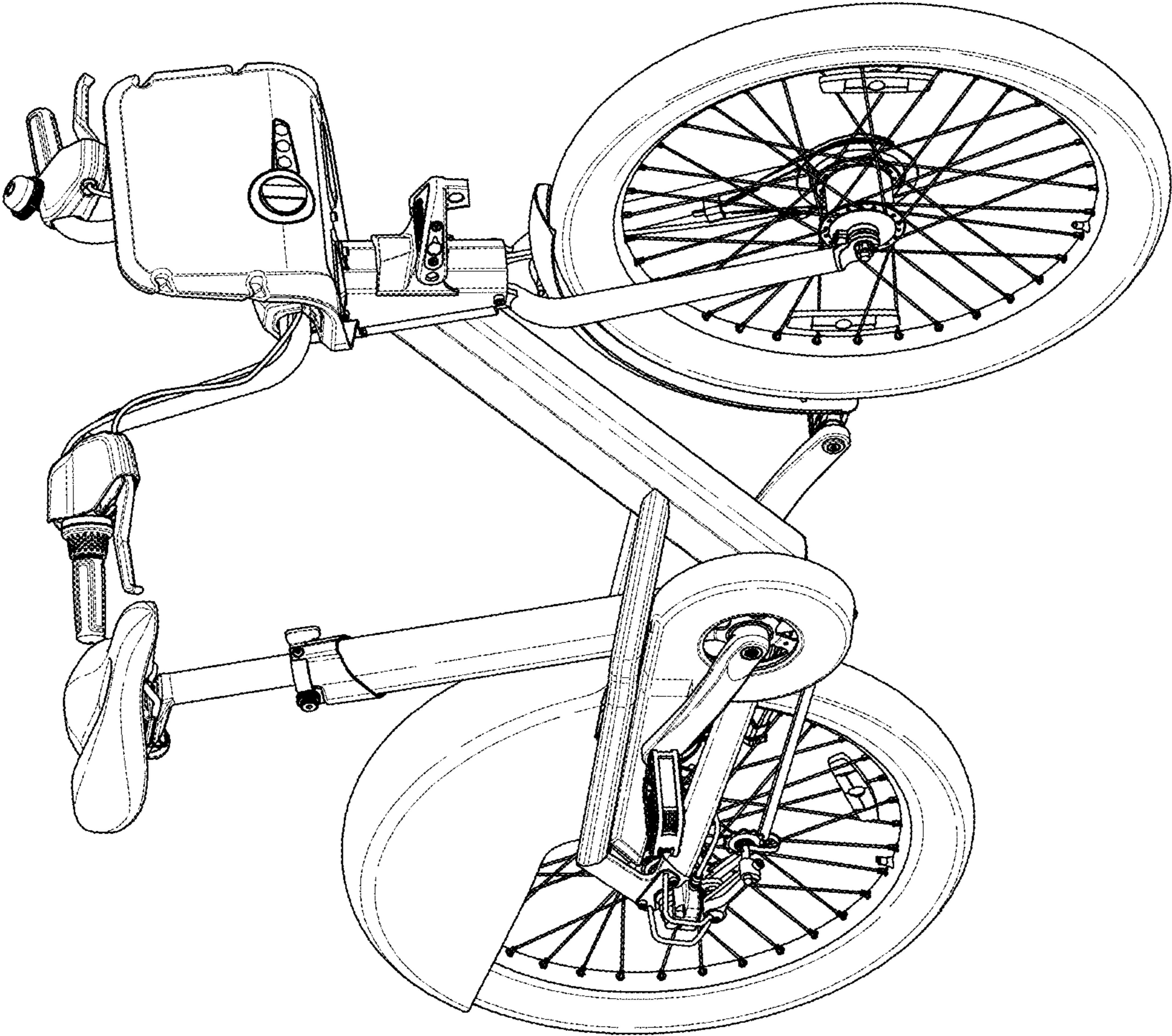


FIG. 1

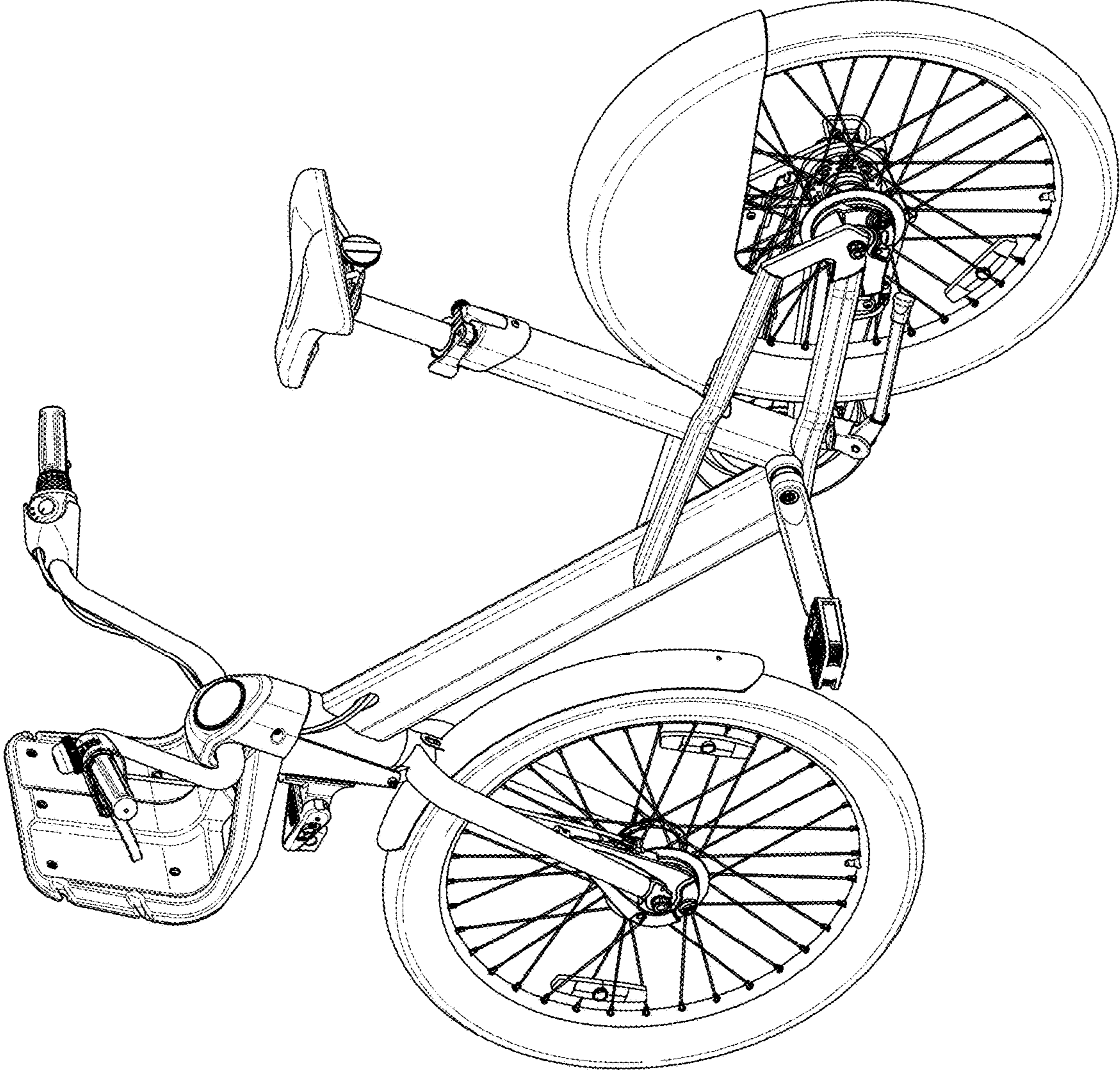


FIG. 2

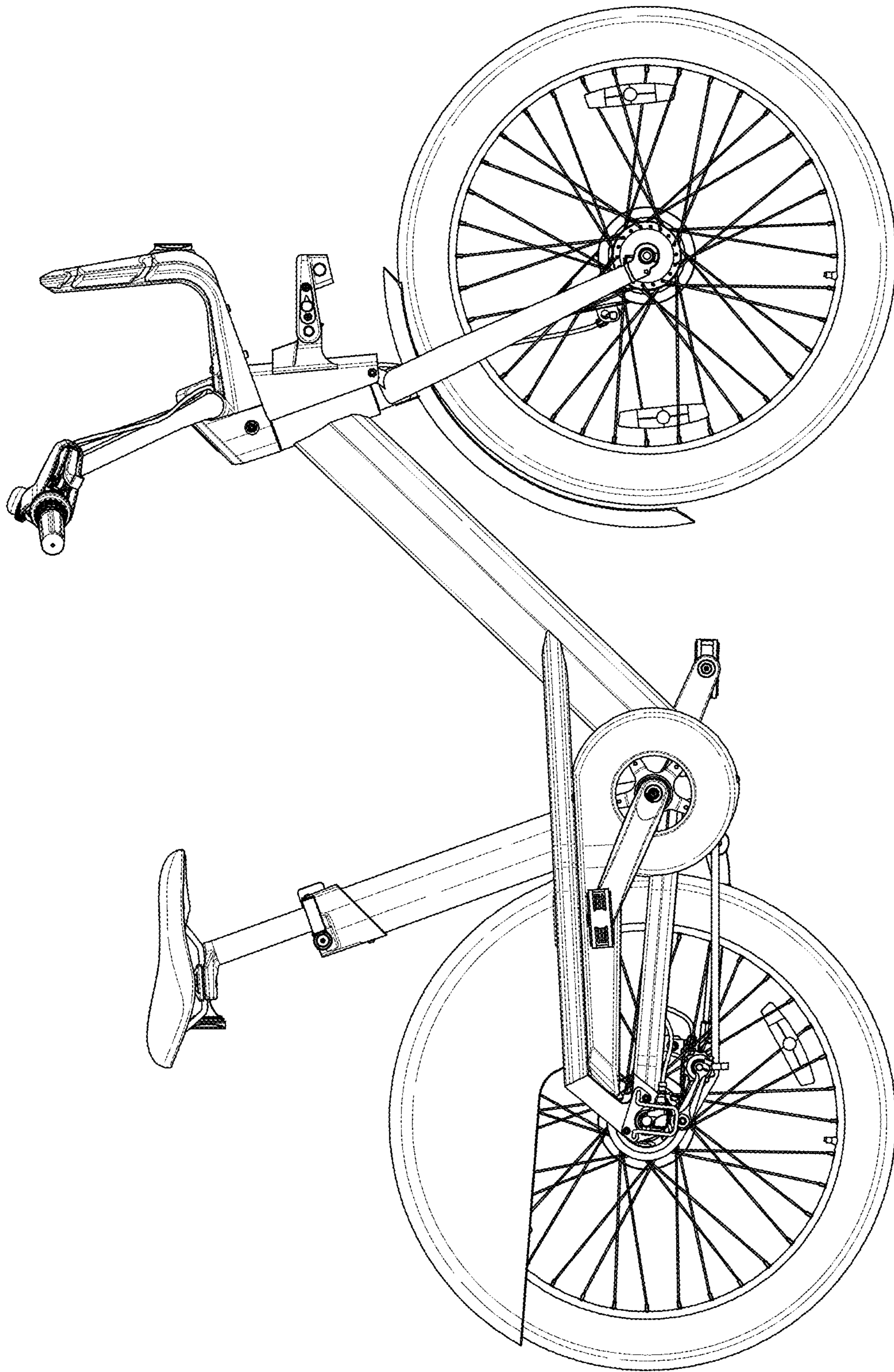


FIG. 3

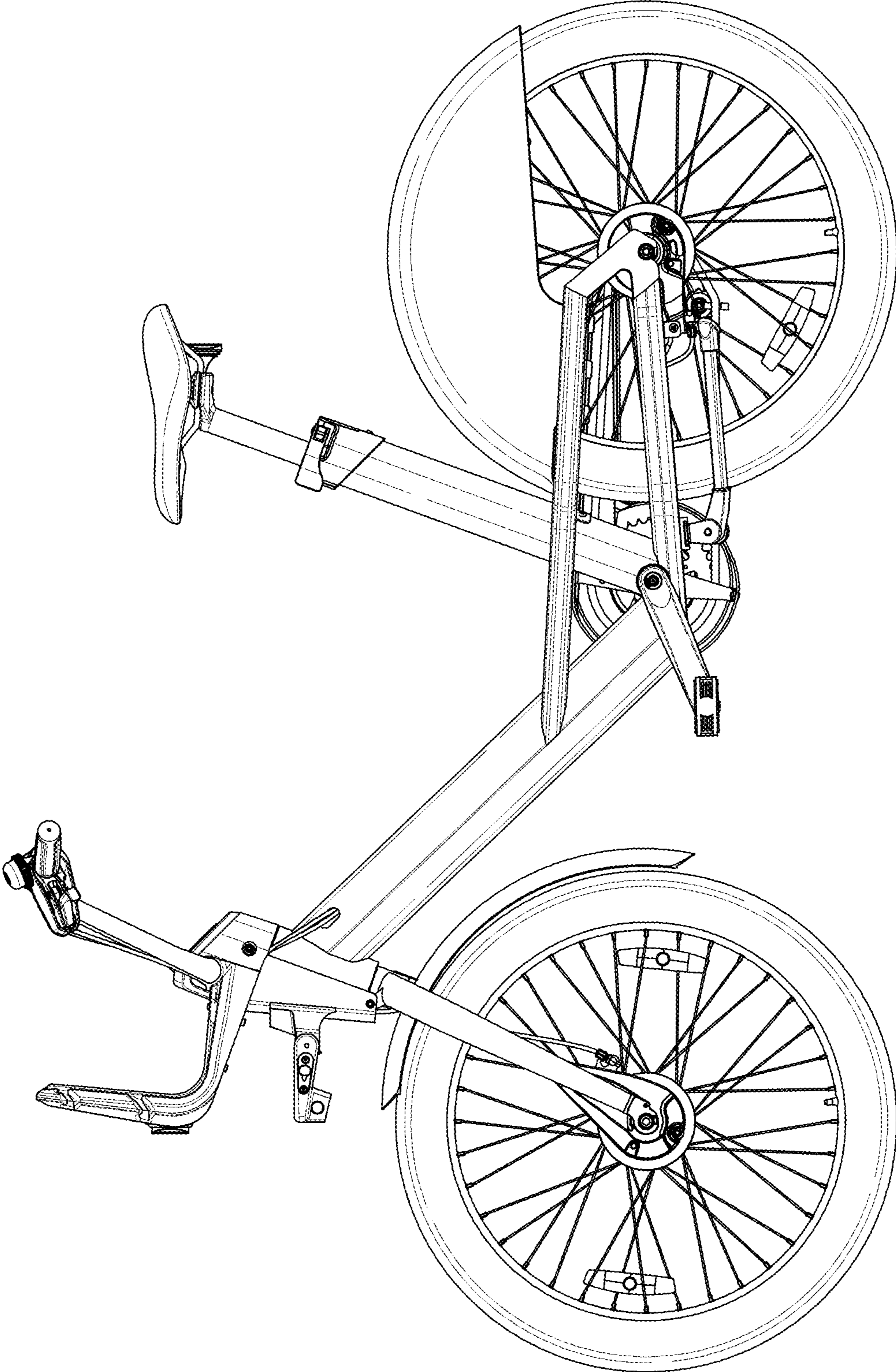


FIG. 4

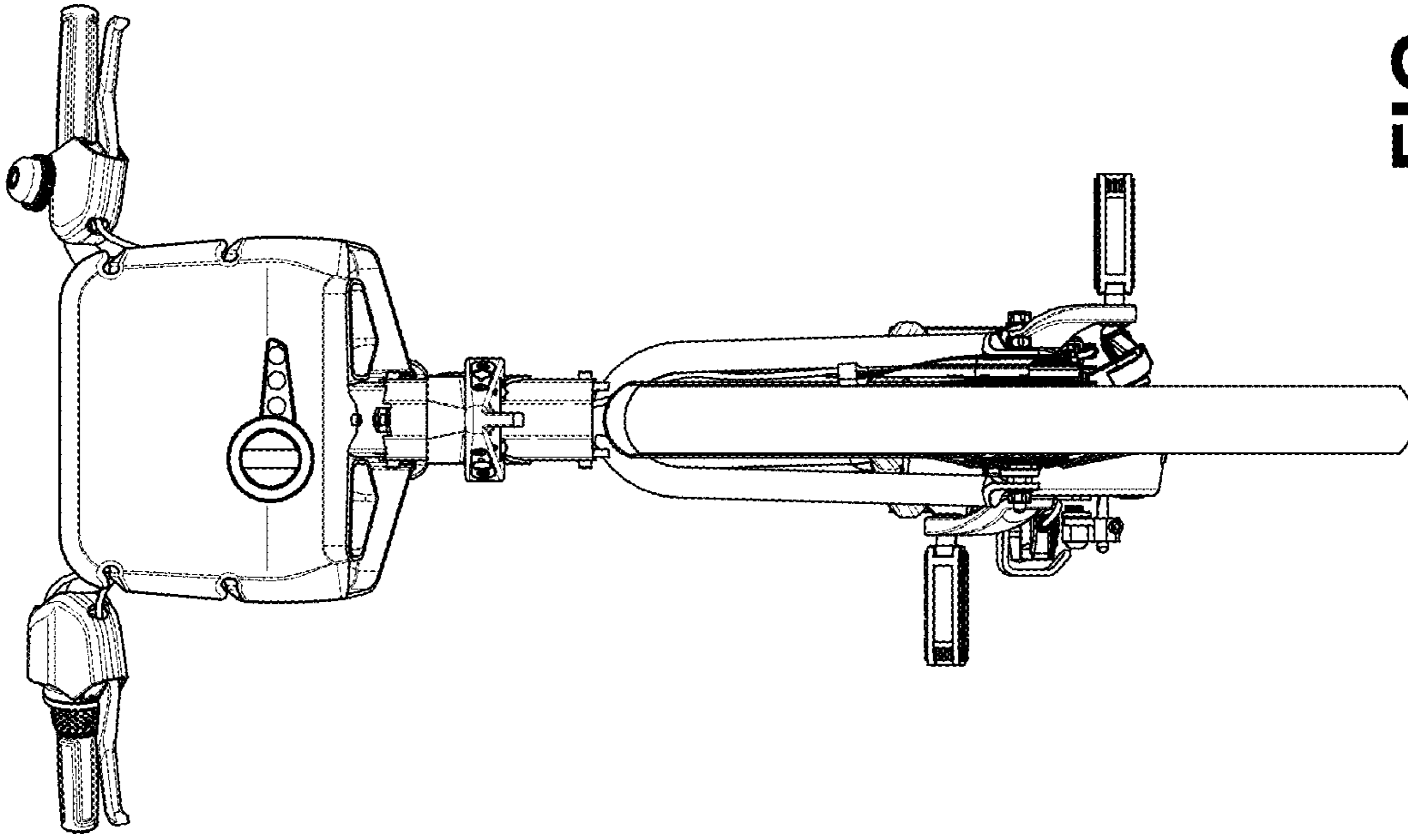


FIG. 6

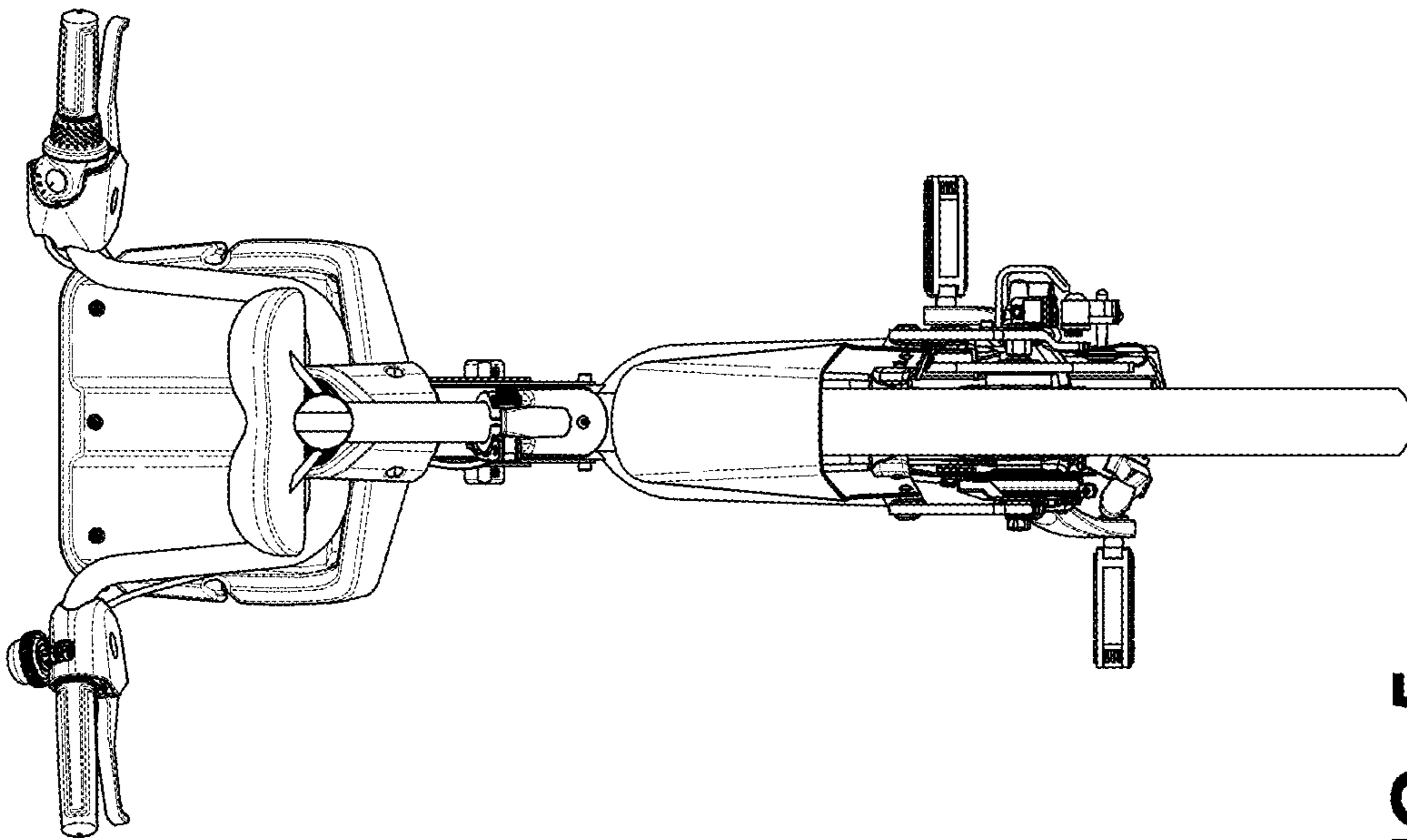


FIG. 5

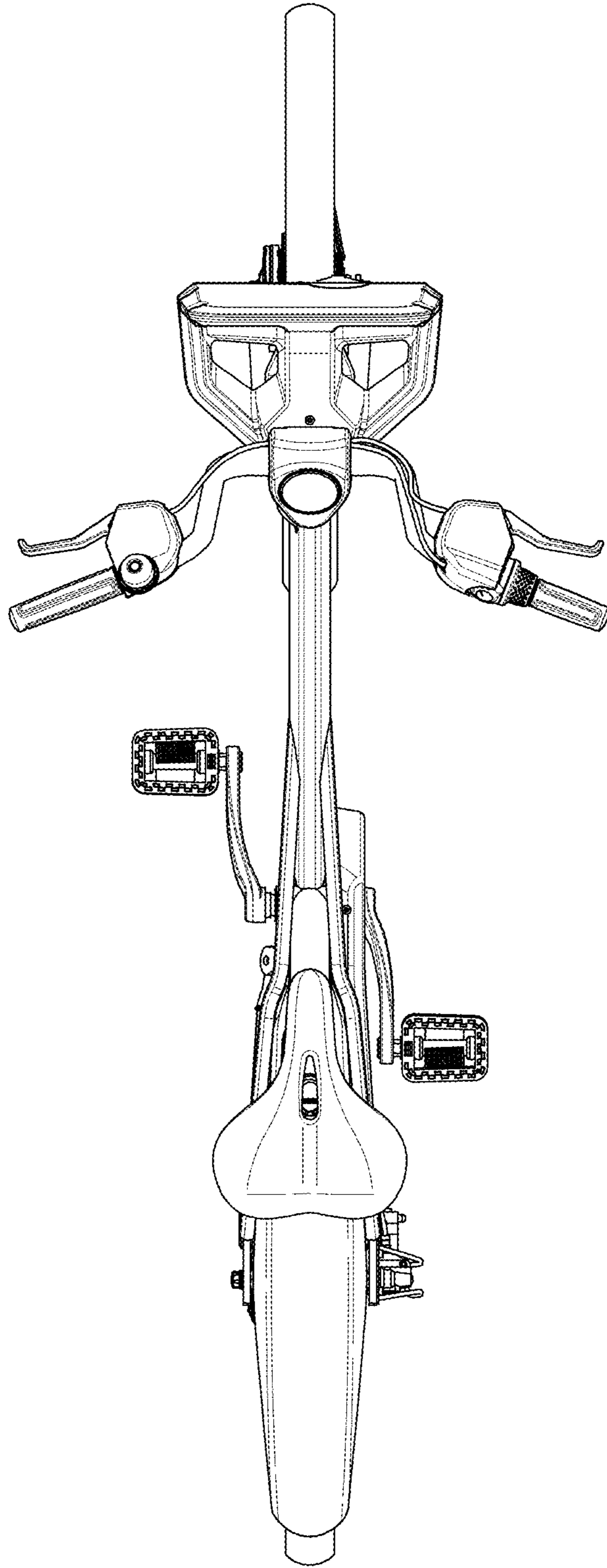


FIG. 7

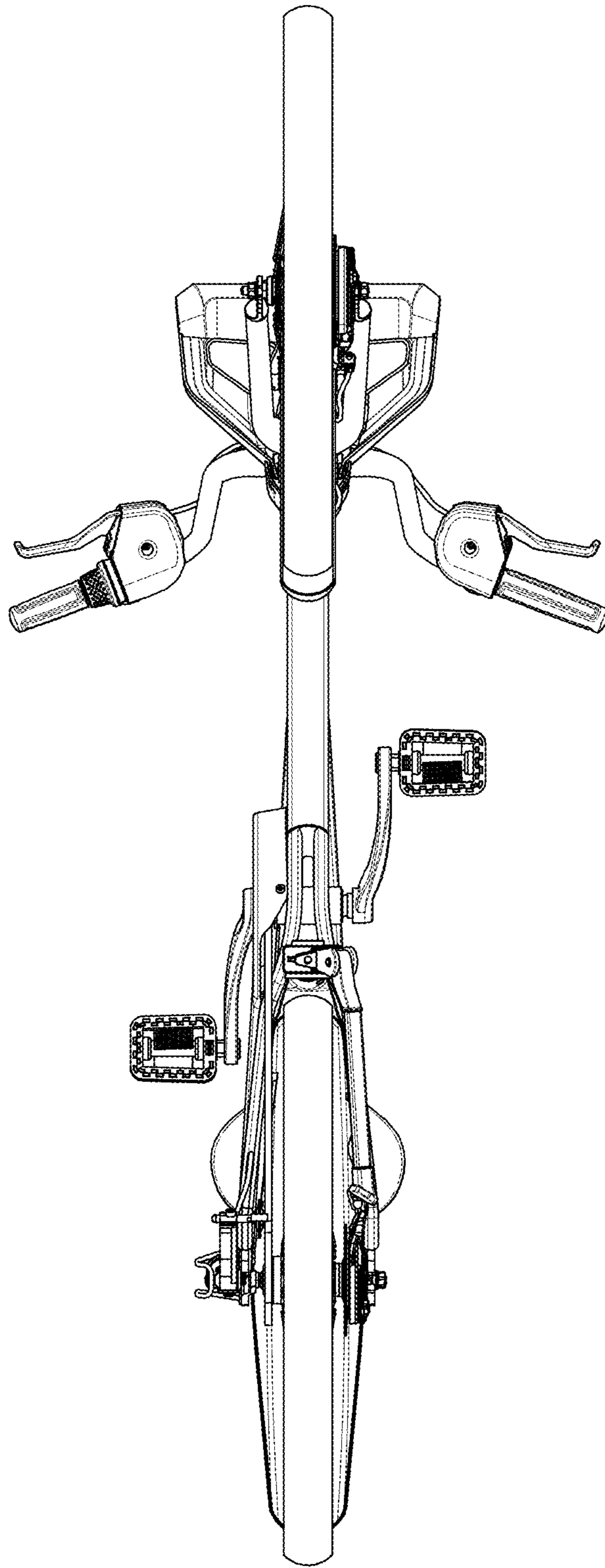


FIG. 8