



US00D789829S

(12) **United States Design Patent**
Nemeth

(10) **Patent No.:** **US D789,829 S**
(45) **Date of Patent:** **** Jun. 20, 2017**

(54) **MINOR SEPARABLE DIVIDED PLATE**

(71) Applicant: **Lee L. Nemeth**, Prospect, CT (US)

(72) Inventor: **Lee L. Nemeth**, Prospect, CT (US)

(**) Term: **15 Years**

(21) Appl. No.: **29/537,355**

(22) Filed: **Aug. 25, 2015**

(51) **LOC (10) Cl.** **11-05**

(52) **U.S. Cl.**
USPC **D11/121**

(58) **Field of Classification Search**

USPC D11/117, 121, 125, 130, 131, 132, 133,
D11/142, 157, 164; D3/203.2, 203.3;
D9/424, 425; D21/478, 479; D1/127,
D1/128

CPC A47G 33/00; A47G 33/08; B44C 5/00;
B44C 5/04; B44C 5/0407; B44C 5/0415;
B44C 5/0423; B44C 5/043; B44C 5/0438;
B44C 5/0453; B65D 1/24; B65D 1/34;
B65D 1/36; B65D 3/24; A63F 9/08;
A63F 9/088; A23G 1/00; A23G 1/0046;
A23G 1/005; A23G 1/0079
See application file for complete search history.

(56) **References Cited**

U.S. PATENT DOCUMENTS

2,705,203 A * 3/1955 Heidrich B65B 25/06
206/525
2,822,636 A * 2/1958 Shreedharan B44C 1/16
156/297

D253,986 S * 1/1980 Lyman D6/302
D254,114 S * 2/1980 Lyman D6/302
D261,248 S * 10/1981 Birmingham D11/121
D281,225 S * 11/1985 Leman D3/203.3
D497,466 S * 10/2004 Van De Wal D1/127
D528,804 S * 9/2006 Boergens D6/301
D577,627 S * 9/2008 Evans D11/117
D590,603 S * 4/2009 Heuman D6/302
D703,092 S * 4/2014 Mansoor D11/131
D762,941 S * 8/2016 Loacker D1/121
D784,188 S * 4/2017 Roe D11/131
D784,709 S * 4/2017 Katav D11/131
2009/0317599 A1 * 12/2009 Heuman A47G 1/065
428/189

* cited by examiner

Primary Examiner — Elizabeth J Oswecki

(74) *Attorney, Agent, or Firm* — Ware, Fressola, Maguire
& Barber LLP

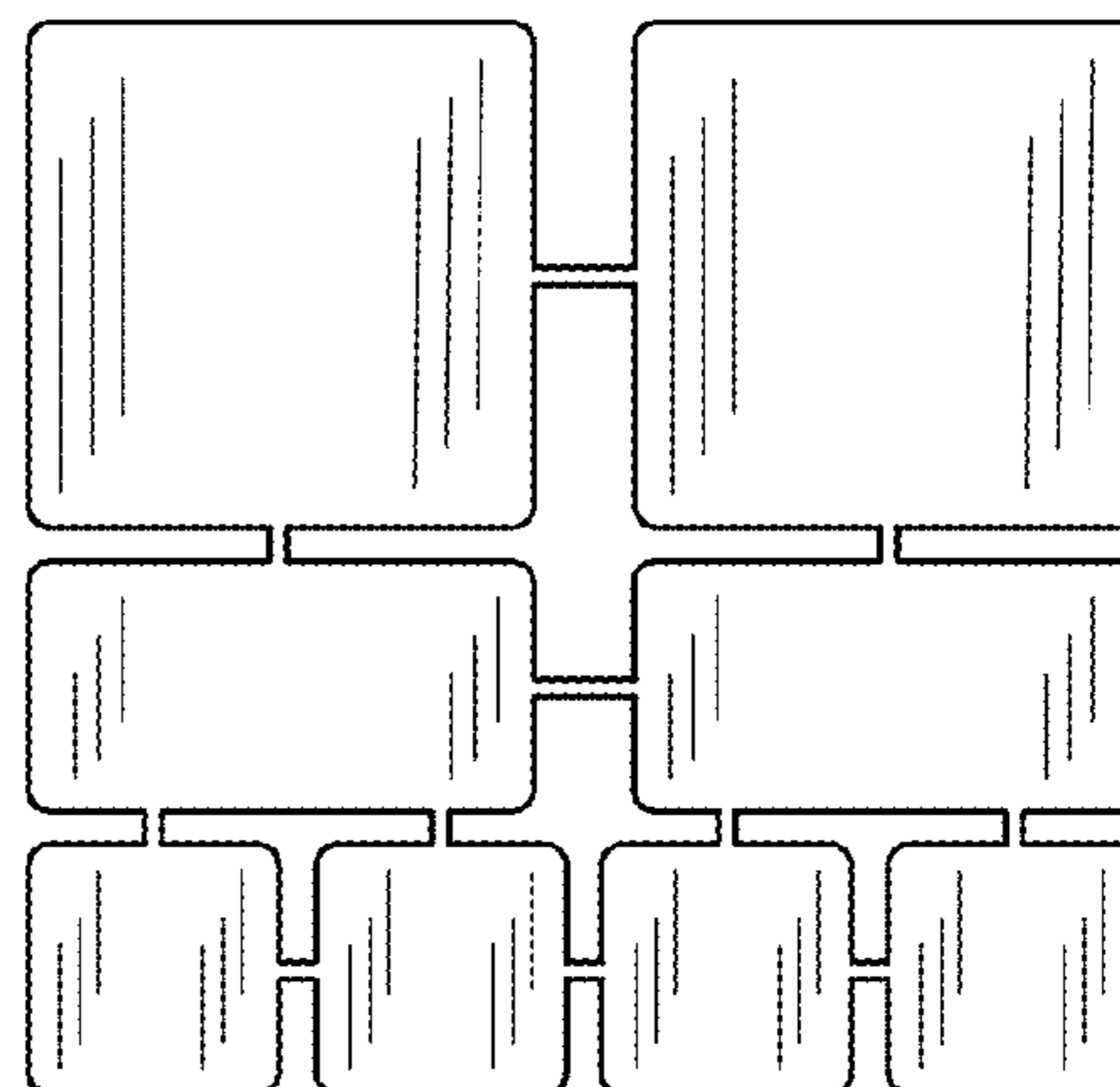
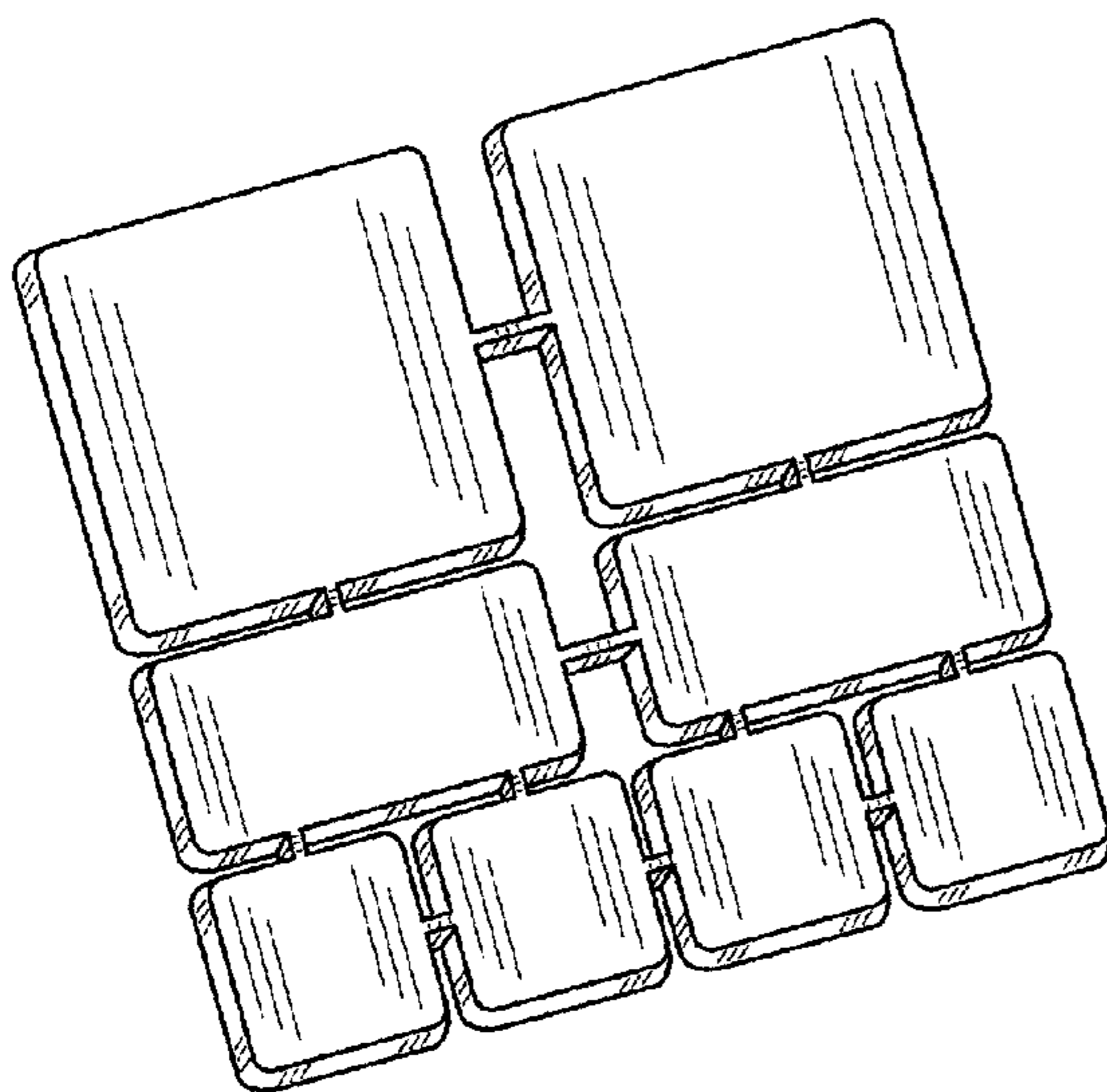
(57) **CLAIM**

The ornamental design for a minor separable divided plate,
as shown and described.

DESCRIPTION

FIG. 1 is a front side perspective view of a minor separable
divided plate showing my new design;
FIG. 2 is a front elevational view thereof;
FIG. 3 is a rear elevational view thereof;
FIG. 4 is a left side elevational view thereof;
FIG. 5 is a right side elevational view thereof;
FIG. 6 is a top plan view thereof; and,
FIG. 7 is a bottom plan view thereof.

1 Claim, 1 Drawing Sheet



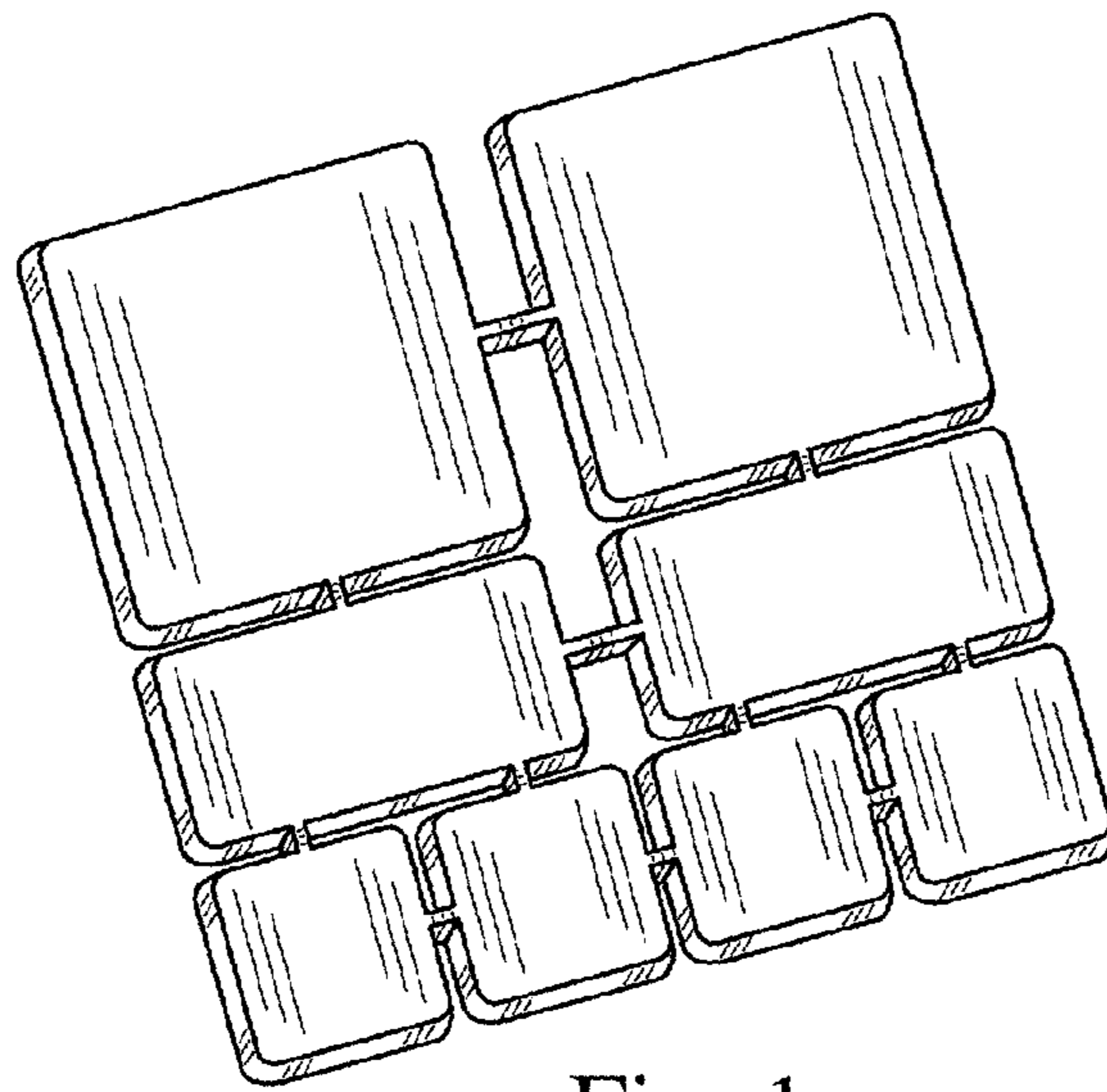


Fig. 1

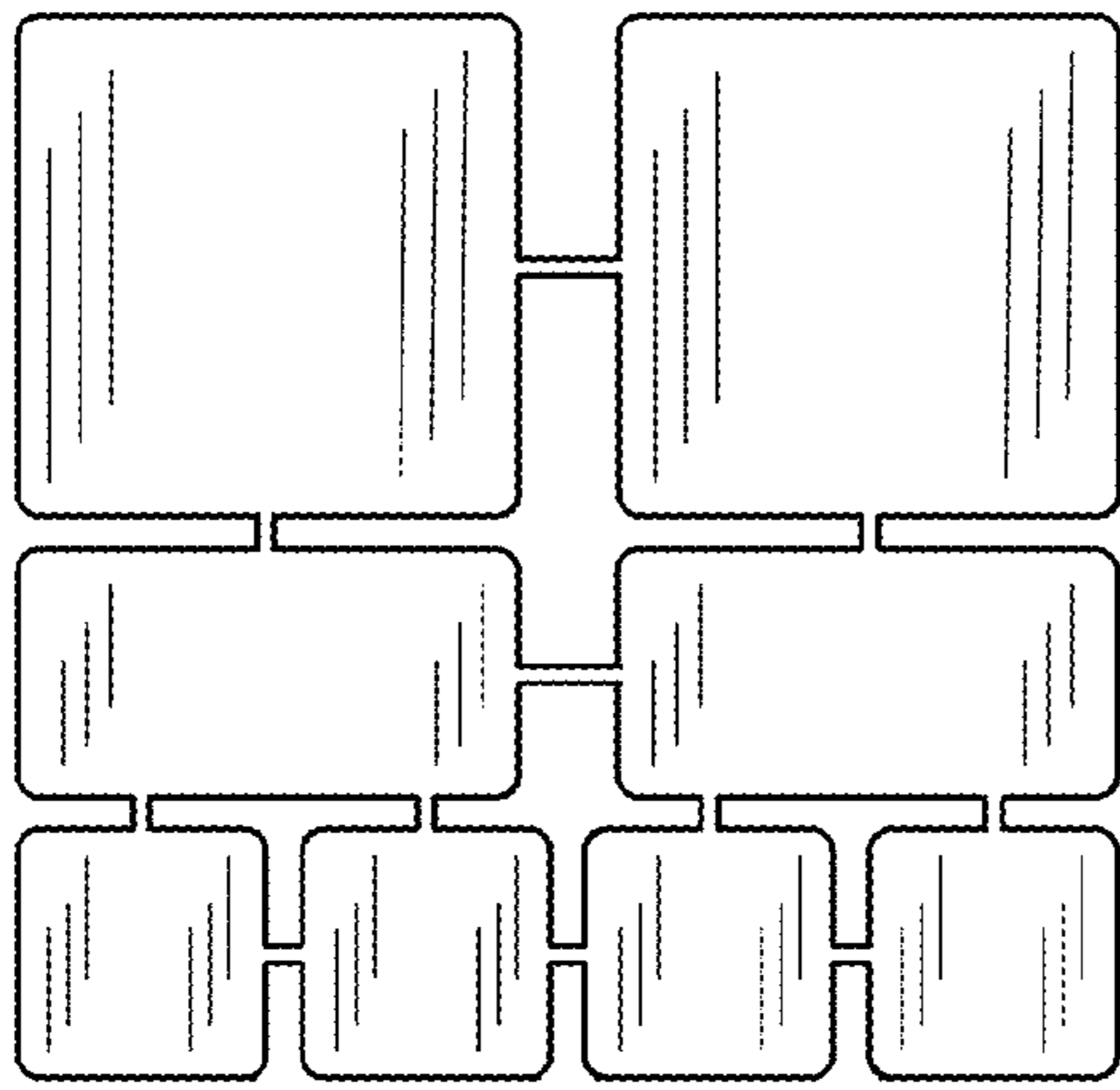


Fig. 2

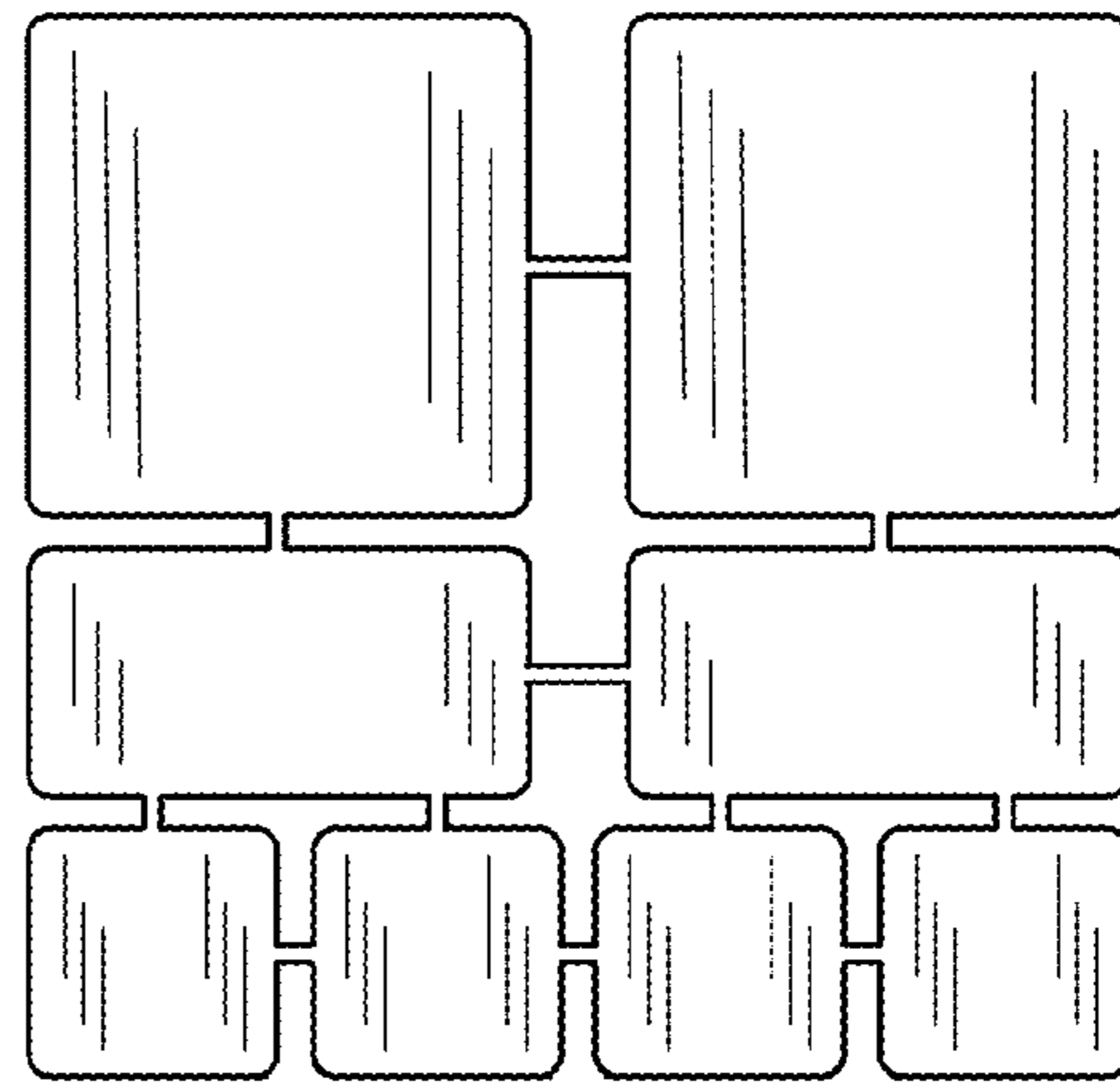


Fig. 3



Fig. 4



Fig. 5



Fig. 6



Fig. 7