



US00D789822S

(12) **United States Design Patent**
Akana et al.

(10) **Patent No.:** **US D789,822 S**
(45) **Date of Patent:** **** Jun. 20, 2017**

(54) **BAND**

(71) Applicant: **Apple Inc.**, Cupertino, CA (US)

(72) Inventors: **Jody Akana**, San Francisco, CA (US); **Molly Anderson**, San Francisco, CA (US); **Bartley K. Andre**, Palo Alto, CA (US); **Shota Aoyagi**, San Francisco, CA (US); **Anthony Michael Ashcroft**, San Francisco, CA (US); **Jeremy Bataillou**, San Francisco, CA (US); **Daniel J. Coster**, San Francisco, CA (US); **Daniele De Iuliis**, San Francisco, CA (US); **M. Evans Hankey**, San Francisco, CA (US); **Julian Hoenig**, San Francisco, CA (US); **Richard P. Howarth**, San Francisco, CA (US); **Jonathan P. Ive**, San Francisco, CA (US); **Duncan Robert Kerr**, San Francisco, CA (US); **Marc A. Newson**, London (GB); **Matthew Dean Rohrbach**, San Francisco, CA (US); **Peter Russell-Clarke**, San Francisco, CA (US); **Benjamin Andrew Shaffer**, San Jose, CA (US); **Mikael Silvanto**, San Francisco, CA (US); **Christopher J. Stringer**, Woodside, CA (US); **Eugene Antony Whang**, San Francisco, CA (US); **Rico Zörkendörfer**, San Francisco, CA (US)

(73) Assignee: **Apple Inc.**, Cupertino, CA (US)

(**) Term: **15 Years**

(21) Appl. No.: **29/557,214**

(22) Filed: **Mar. 7, 2016**

(51) **LOC (10) Cl.** **11-01**

(52) **U.S. Cl.**
USPC **D11/3**

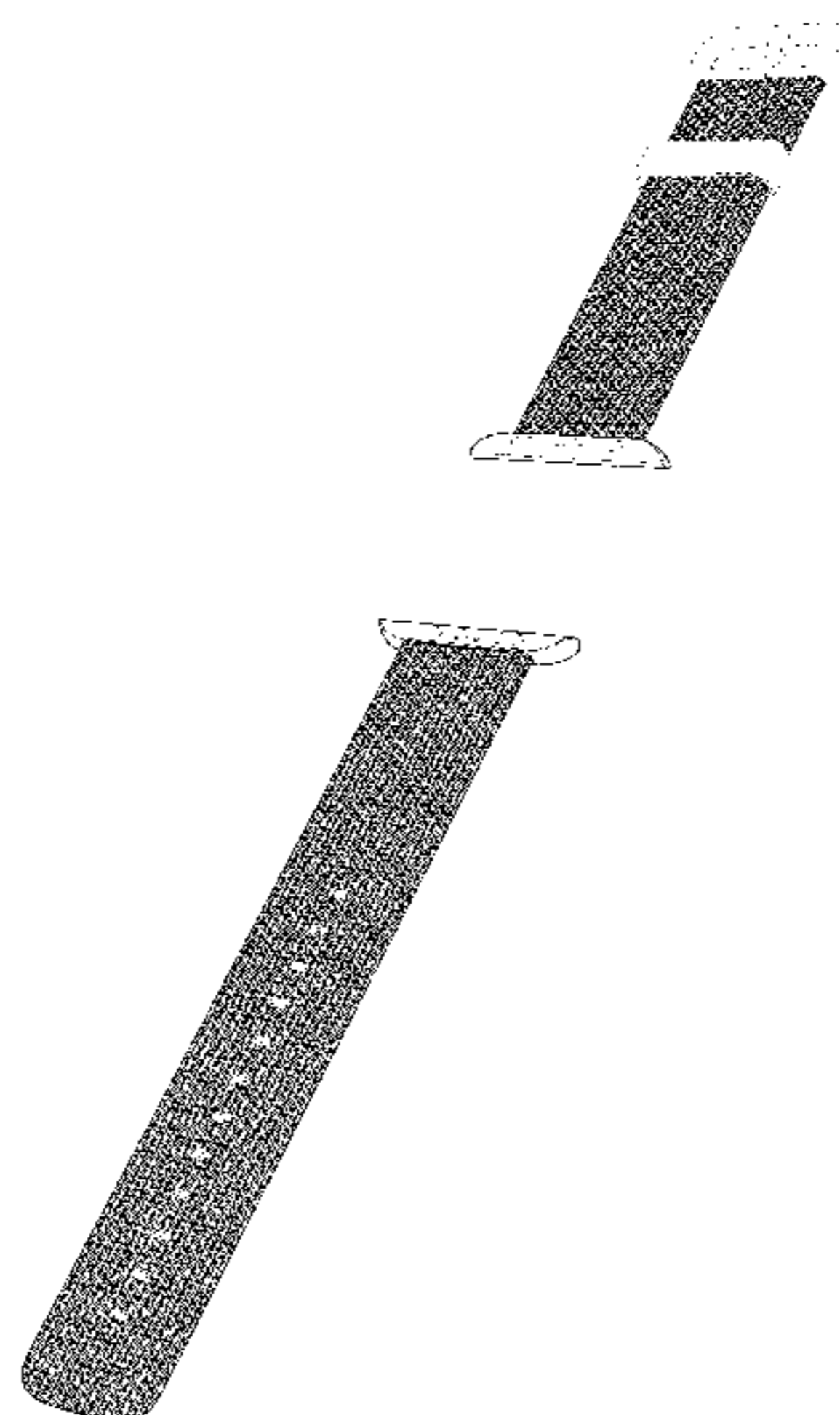
(58) **Field of Classification Search**
USPC D10/30, 31, 32, 38, 39, 46, 61, 70, 74,
D10/80, 103, 124, 128, 131; D11/1-40,
D11/86-94; D24/167, 186

CPC A44C 5/00; A44C 5/12; A44C 5/14; A44C 5/18; A44C 5/147; A44C 5/185; A44C 5/2047; A44C 5/2052; A44C 5/0007; A44C 5/003; A44C 5/0015; A44C 5/0023; A44C 5/0053; A44C 5/0061; A44C 5/0069; A44C 5/0076; A44B 11/24; A44B 11/006; G09G 3/38; G06F 1/163; G06Q 50/24; H05K 5/0278; G06K 19/07732; Y10T 24/44043; Y10T 24/4406
See application file for complete search history.

(56) **References Cited**

U.S. PATENT DOCUMENTS

1,807,440	A *	5/1931	Schraysshuen	A44C 5/0076 245/2
2,280,490	A	4/1942	Keltie	
2,397,797	A	4/1946	Curto	
2,451,750	A	10/1948	Kreisler et al.	
3,030,686	A	4/1962	Burkhardt	
3,203,067	A *	8/1965	Elsner	A44B 11/006 24/265 AL
3,346,930	A *	10/1967	Browning	A41F 9/002 2/338
3,394,438	A *	7/1968	Nelson	A44B 11/24 24/178
3,665,565	A	5/1972	Kruger	
3,675,284	A	7/1972	Rieth	
4,627,231	A	12/1986	Kiuchi	
D320,356	S	10/1991	Boyer et al.	
D343,584	S *	1/1994	Olmes	D10/32
5,363,351	A	11/1994	Carney	
5,574,701	A	11/1996	Harilela	
D377,914	S	2/1997	Riley	
D379,327	S	5/1997	Navera	
D379,775	S	6/1997	Gazzola	
D383,985	S	9/1997	Davenport	
D386,980	S	12/1997	Houlihan	
5,886,669	A	3/1999	Kita	
D438,812	S	3/2001	Bert	
D440,901	S	4/2001	Bruce et al.	
6,219,303	B1	4/2001	Morohoshi et al.	
D441,680	S	5/2001	Bruce et al.	
6,238,083	B1	5/2001	Hirano et al.	
D461,726	S	8/2002	Jamin	
D473,818	S	4/2003	Salvisberg	
D494,098	S	8/2004	Cohen	
6,801,476	B2	10/2004	Gilmour	
7,275,667	B2	10/2007	Bertucci	



D564,904	S	3/2008	Leung	
D599,680	S *	9/2009	Schoepfer	D10/32
D612,748	S *	3/2010	Jorst	D10/32
D622,164	S	8/2010	Mikkelsen	
D631,373	S	1/2011	Mikkelsen	
8,601,784	B2	12/2013	Kaltenrieder	
8,613,544	B2	12/2013	Kitahara et al.	
D715,674	S	10/2014	Squires	
D719,467	S	12/2014	Bradbury	
D720,249	S	12/2014	Park et al.	
D724,469	S	3/2015	Akana et al.	
D726,056	S *	4/2015	Riddiford	D11/3
D727,197	S	4/2015	Akana et al.	
D727,198	S	4/2015	Akana et al.	
D727,199	S	4/2015	Akana et al.	
D727,759	S *	4/2015	Martinez	D10/70
D731,346	S	6/2015	Akana et al.	
D737,156	S	8/2015	Akana et al.	
D737,157	S	8/2015	Akana et al.	
D737,158	S	8/2015	Akana et al.	
D737,159	S	8/2015	Akana et al.	
D738,971	S *	9/2015	Riddiford	D21/694
D739,780	S	9/2015	Akana et al.	
D744,356	S	12/2015	Akana et al.	
D745,421	S	12/2015	Akana et al.	
D746,707	S	1/2016	Akana et al.	
D748,008	S	1/2016	Akana et al.	
D748,009	S	1/2016	Akana et al.	
D748,010	S	1/2016	Akana et al.	
D748,527	S	2/2016	Akana et al.	
D749,009	S	2/2016	Akana et al.	
D749,460	S	2/2016	Akana et al.	
D750,525	S *	3/2016	Akana	D11/3
D751,070	S	3/2016	Akana et al.	
D753,008	S *	4/2016	Akana	D11/3
D755,070	S *	5/2016	Akana	D11/5
D756,357	S	5/2016	Akana et al.	
D759,725	S	6/2016	Akana et al.	
D764,340	S	8/2016	Akana et al.	
D764,341	S *	8/2016	Akana	D11/3
D768,025	S *	10/2016	Akana	D11/3
D768,030	S *	10/2016	Akana	D11/231
D777,163	S *	1/2017	Akana	D14/344
D777,590	S *	1/2017	Nielsen	D10/39
2001/0017663	A1	8/2001	Yamaguchi et al.	
2002/0051075	A1	5/2002	Yamaguchi et al.	
2014/0096345	A1	4/2014	Tschumi	
2014/0098649	A1	4/2014	Tschumi	

FOREIGN PATENT DOCUMENTS

DE	19513647	A1	10/1995
EP	001109706-0025		5/2009
EP	2636328	A1	9/2013
GB	618917	A	3/1949
GB	1056574		8/1989
GB	2047767		9/1995
GB	2049316		12/1995
GB	2082277		6/1999
WO	DM/012262-001		1/1989
WO	DM/049450-002		12/1999
WO	DM/079044-003		9/2012
WO	WO-2013182397	A1	12/2013

OTHER PUBLICATIONS

Apple's new Woven Nylon band (available online Mar. 23, 2016) Retrieved from the internet Feb. 24, 2016, retrieved from the internet URL: <https://9to5mac.com/2016/03/23/hands-on-apples-new-woven-nylon-band-fo-rapple-watch-gallery>.*
 Free Silicone Band, Inteny Apple Watch Band Series 1 Series 2 Colorful Pattern Woven Nylon Band Replacement Wrist Bracelet Strap Buckle for iWatch, 38mm, Toasted Coffee & Caramel, posted unknown, [retrieved Oct. 27, 2016]. Retrieved from Internet,< URL: <https://www.amazon.com/dp/B01LXBIO6M?psc=1>>.
 Top Brand Luxury Style Daniel Wellington Watches DW Watch For Men Nylon Strap Military Quartz Wristwatch Clock Reloj hombre

40mm, posted unknown, [retrieved Oct. 27, 2016]. Retrieved from Internet,< URL: <http://www.dhgate.com/product/topbrand-luxury-style-daniel-wellington/239253633.html>>.
 U.S. Appl. No. 29/499,081, filed Aug. 11, 2014; Akana et al.
 U.S. Appl. No. 29/499,082, filed Aug. 11, 2014; Akana et al.
 U.S. Appl. No. 29/499,090, filed Aug. 11, 2014; Akana et al.
 U.S. Appl. No. 29/501,624, filed Sep. 5, 2014; Akana et al.
 U.S. Appl. No. 29/501,772, filed Sep. 8, 2014; Akana et al.
 U.S. Appl. No. 29/532,117, filed Jul. 1, 2015; Akana et al.
 U.S. Appl. No. 29/557,215, filed Mar. 7, 2016; Akana et al.
 U.S. Appl. No. 29/557,217, filed Mar. 7, 2016; Akana et al.
 U.S. Appl. No. 29/557,219, filed Mar. 7, 2016; Akana et al.
 etsy.com, "1 Set Silver End Cap Clasp—Findings Large Toggle Clasp End Caps Buckle Connector with Five Inside Loops for Jewelry Making 26mm," <<http://www.etsy.com/listing/101269004/1-set-silver-end-cap-clasp-finding?ref=market>>, Listed on Aug. 29, 2014, accessed Oct. 9, 2014.
 "Field Ops Watch Band Kit" <<http://www.511tactical.com/field-ops-watch-band-kit.html>>, accessed Nov. 25, 2014.
 Hiemstra, Graham, "Worn & Wound Model 1 Horween Watch Strap," <<http://www.coolhunting.com/style/worn-wound-model-1-horween-watch-strap>>, dated Aug. 27, 2013, accessed Nov. 25, 2014.
 Hilbourne, Jason, "Wide Body: straps for Pebble," <<https://www.kickstarter.com/projects/117185947/wide-body-straps-for-pebble>>, Listed Apr. 2, 2013, accessed Nov. 25, 2014.
 Metawatch, "Frame—Black (MW3005)," <<http://meta.watch/collections/smartwatch-all/products/frame-ss-black-leather>>, accessed Dec. 15, 2014.
 [Online] http://a.abcnews.com/images/Business/HT_gold_apple_iwatch_jef_140909_4x3_992.jpg, Retrieved on Feb. 4, 2015, 1 page.
 Pebble, "Pebble Smartwatch," getpebble.com, <<https://getpebble.com/checkout>>, accessed Dec. 15, 2014.
 "Timex Men's Q7B808 Ironman Triathlon 30-Lap Resin 16mm Replacement Watchband" <http://www.amazon.com/Timex-Ironman-Triathlon-Replacement-Watchband/dp/B003OPZ5D0/ref=sr_1_1?s=apparel&ie=UTF8&qid=1416701895&sr=1-1&keywords=Timex+Men%27s+Q7B808+Ironman+Triathlon+30-Lap+Resin+16mm+Replacement+Watchband>, accessed Nov. 25, 2014.
 Velazco, Chris, "ASUS ZenWatch review: subtle and stylish, with a few shortcomings," Engadget.com, <<http://www.engadget.com/2014/12/11/asus/zenwatch-review/>>, dated Dec. 11, 2014, accessed Dec. 15, 2014.

* cited by examiner

Primary Examiner — Cathron Brooks
Assistant Examiner — Richard Kearney
 (74) *Attorney, Agent, or Firm* — Sterne, Kessler, Goldstein & Fox P.L.L.C.

(57) **CLAIM**

The ornamental design for a band, as shown and described.

DESCRIPTION

FIG. 1 is a bottom front perspective view of a band showing the claimed design;
 FIG. 2 is a bottom rear perspective view thereof;
 FIG. 3 is a front view thereof;
 FIG. 4 is a rear view thereof;
 FIG. 5 is a left side view thereof;
 FIG. 6 is a right side view thereof;
 FIG. 7 is a top view thereof;
 FIG. 8 is a bottom view thereof; and,
 FIG. 9 is a perspective view thereof showing the band in an environment in which it may be used.

The broken lines in the figures show portions of the band that form no part of the claimed design. The broken lines connecting the band portions in FIG. 9 show environmental structure that forms no part of the claimed design.

1 Claim, 6 Drawing Sheets

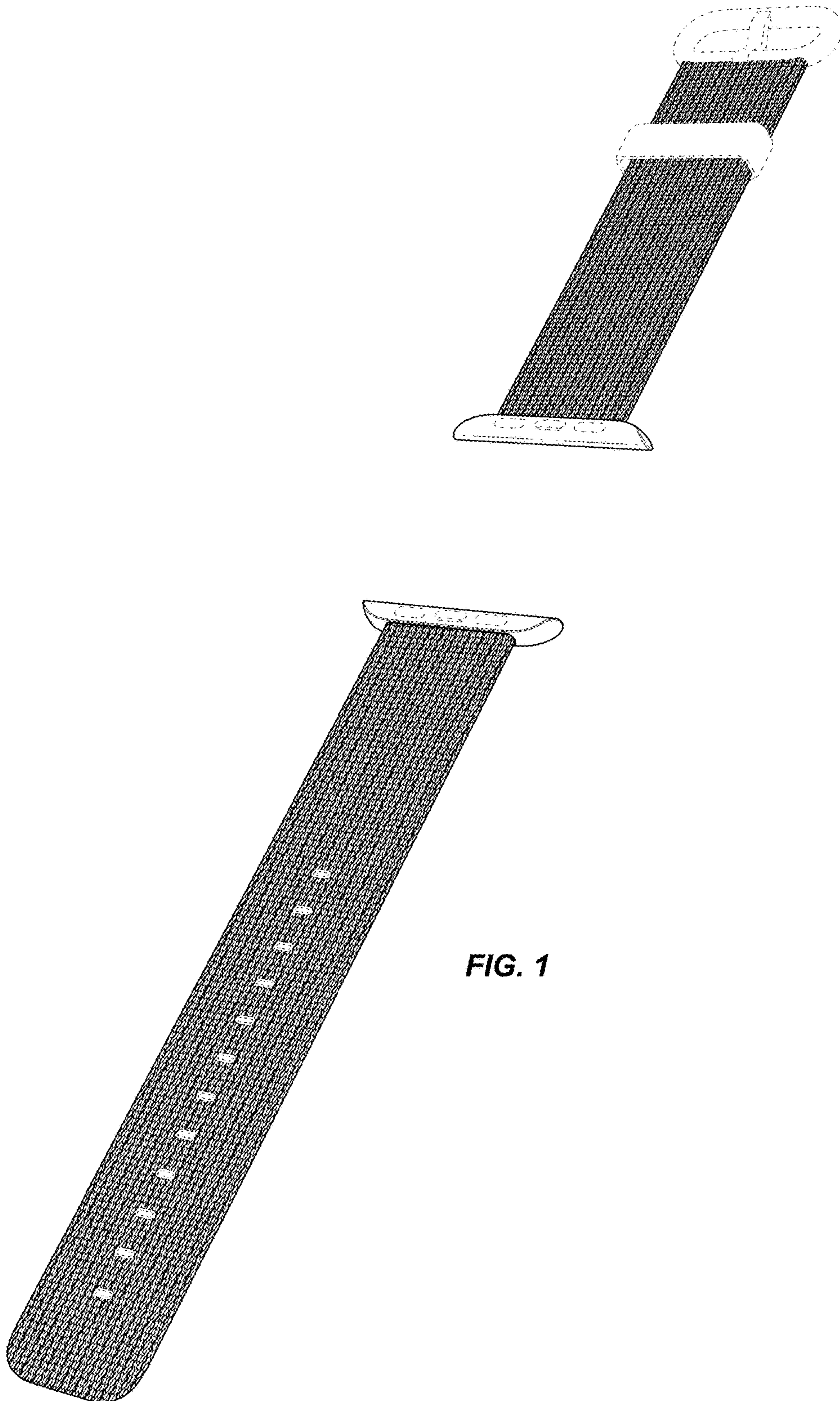


FIG. 1

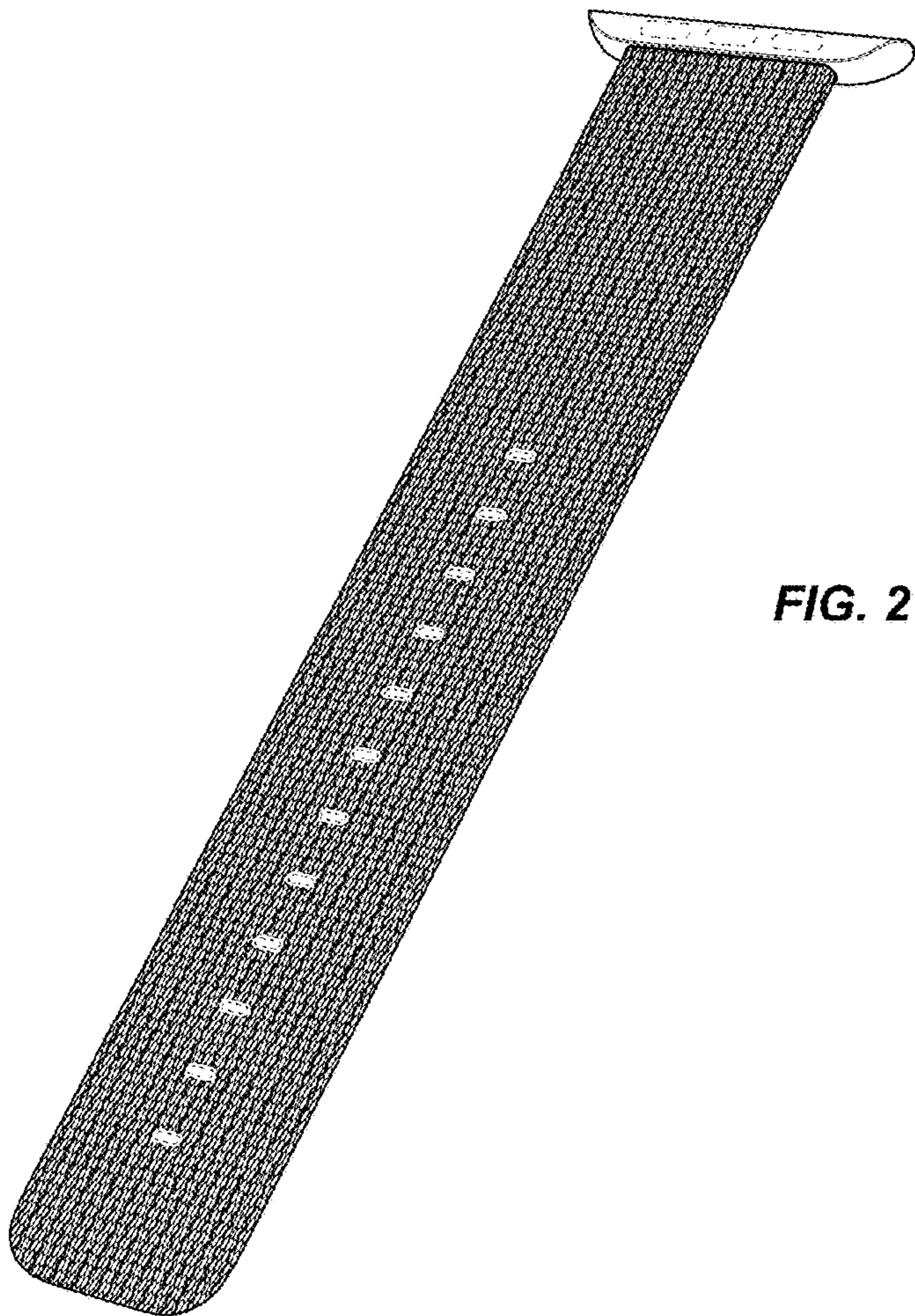
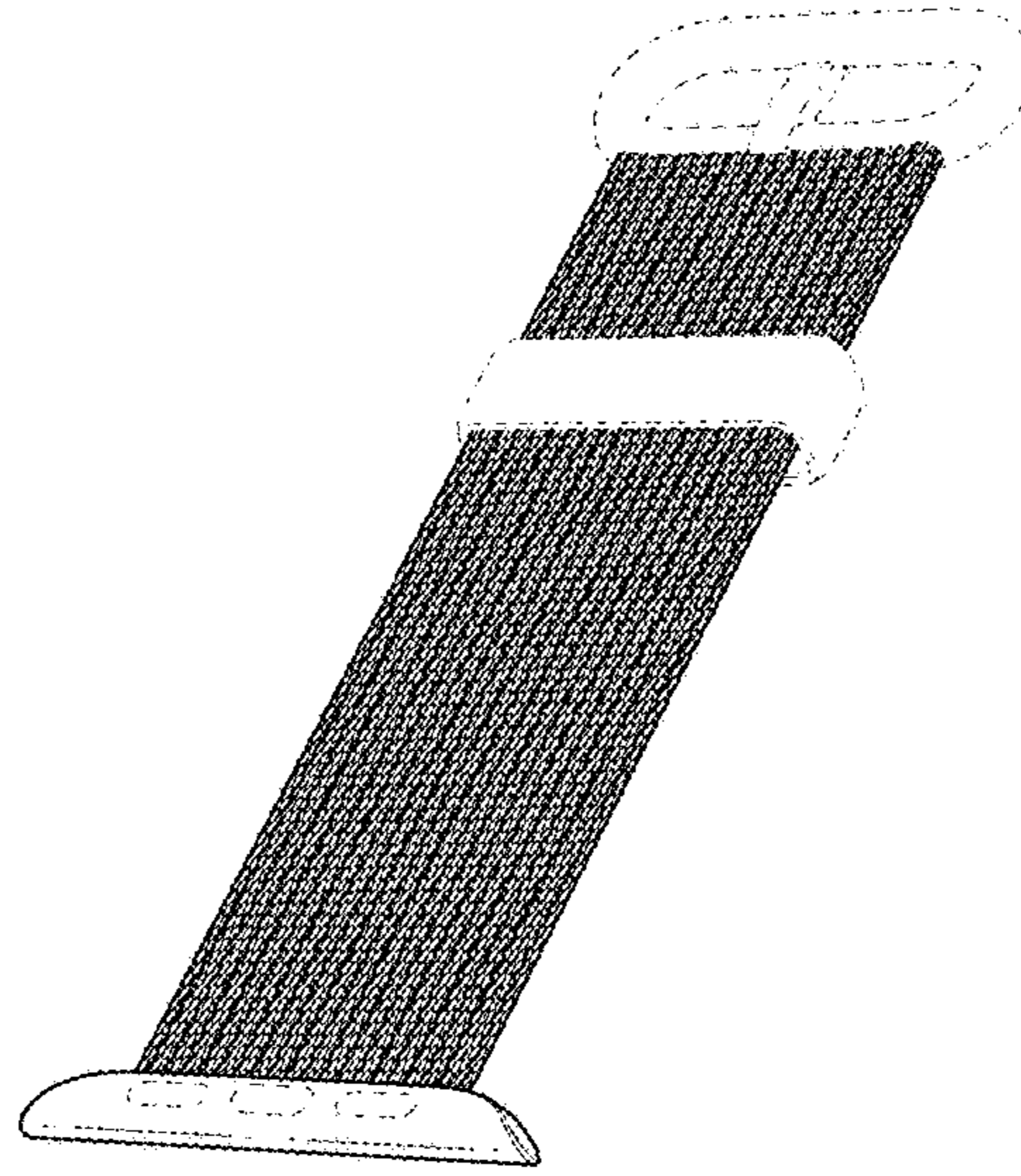


FIG. 2

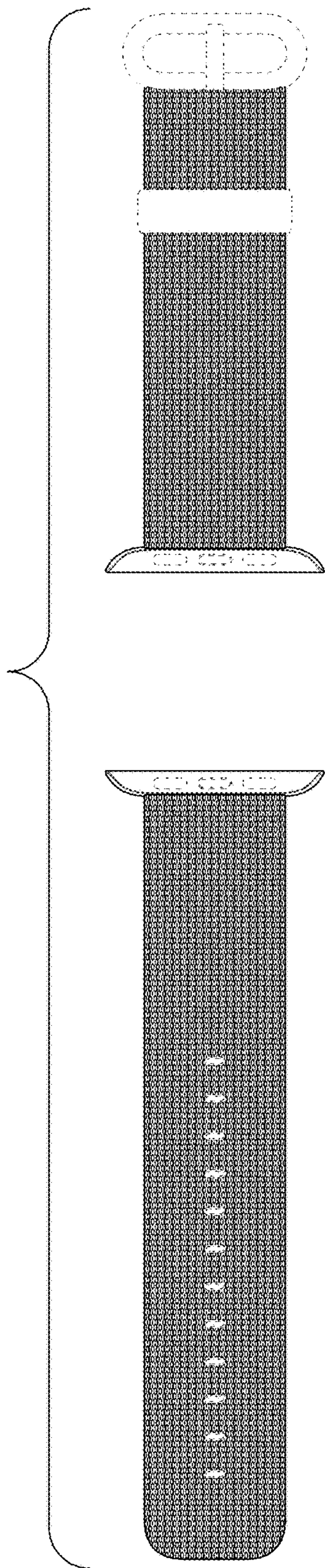


FIG. 3

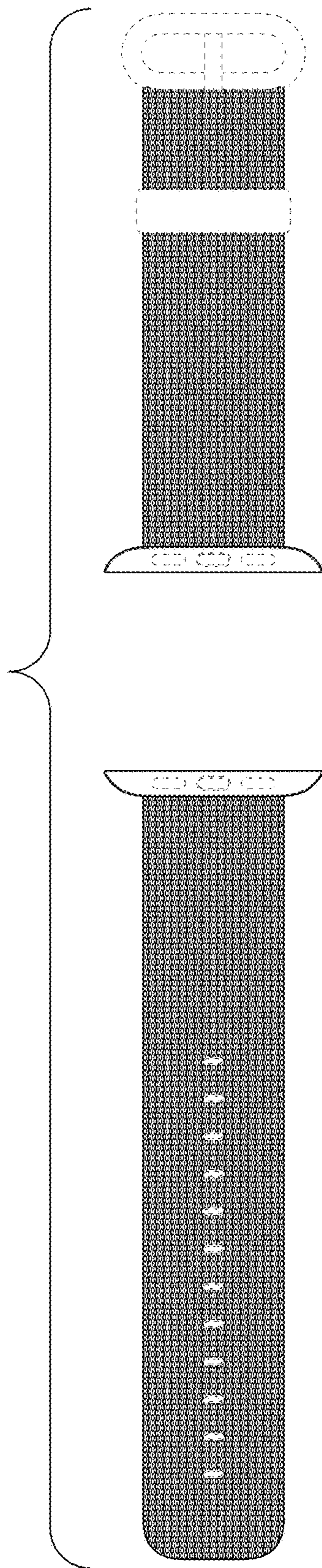


FIG. 4

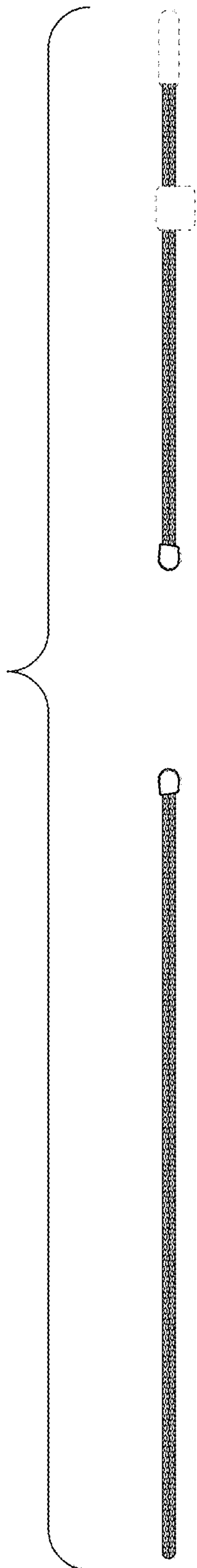


FIG. 5

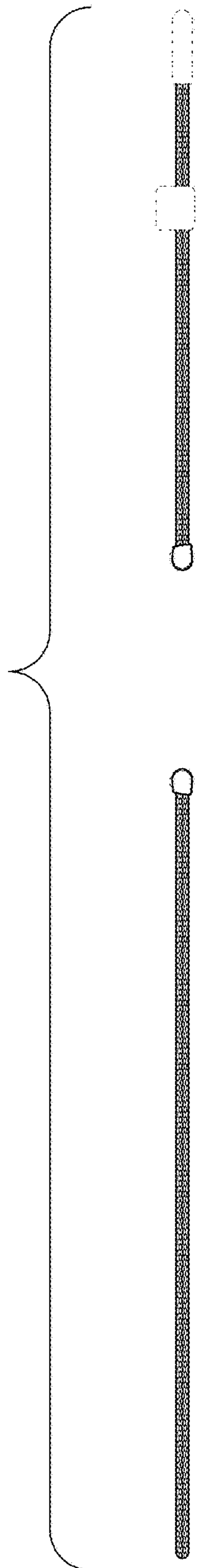


FIG. 6

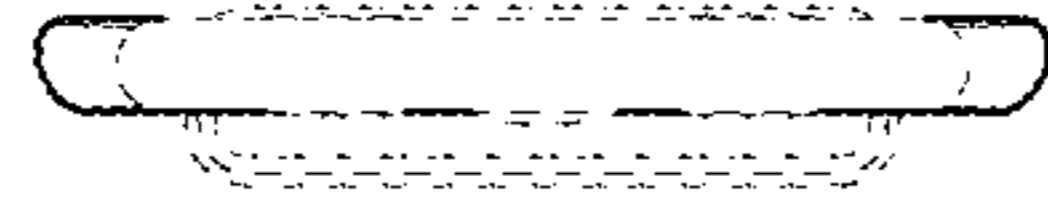


FIG. 7



FIG. 8

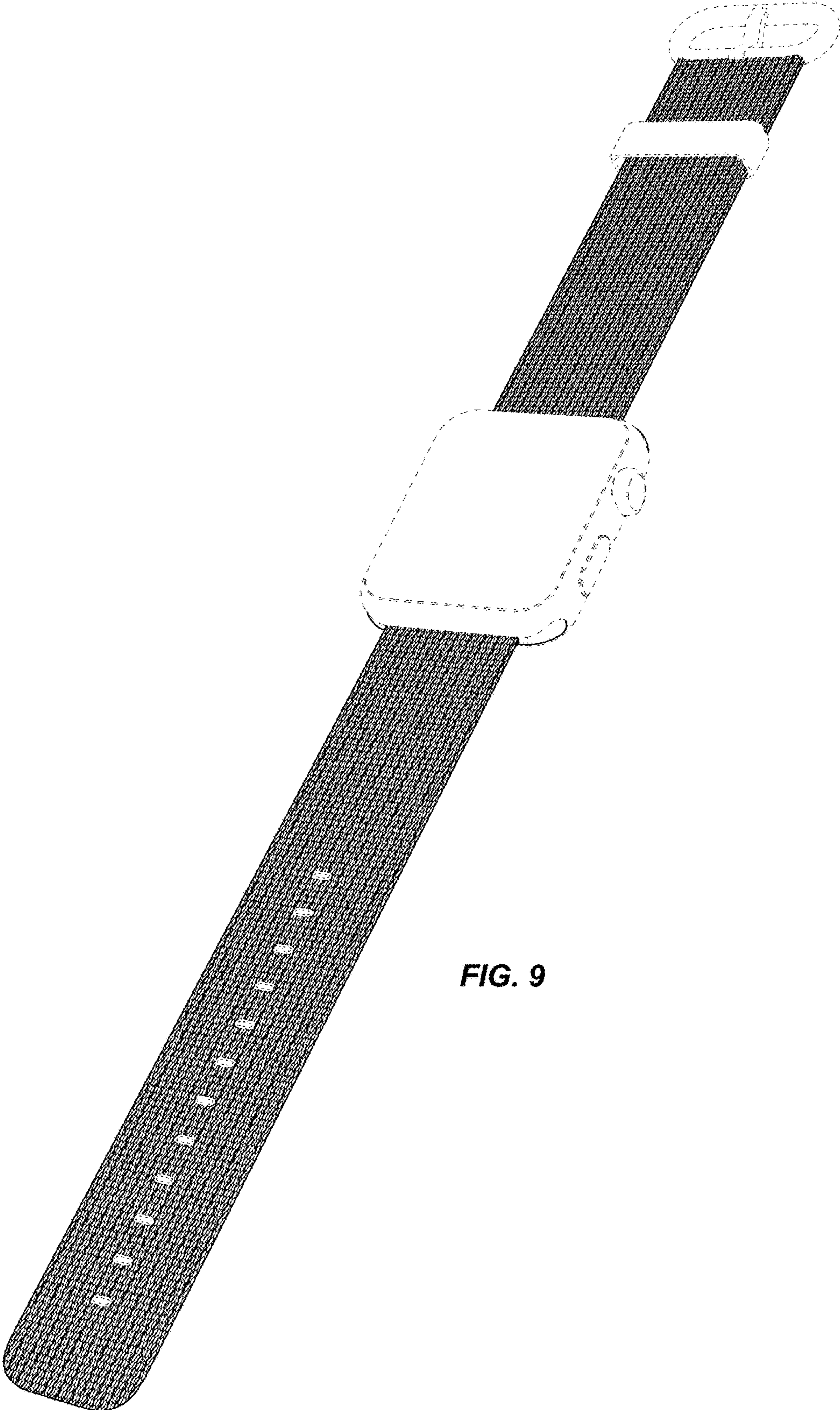


FIG. 9