



US00D789821S

(12) **United States Design Patent** (10) **Patent No.:** **US D789,821 S**
Glenn (45) **Date of Patent:** **** *Jun. 20, 2017**

(54) **GAME CALL ASSEMBLY**
(71) Applicant: **Aaron Glenn**, Anna, TX (US)
(72) Inventor: **Aaron Glenn**, Anna, TX (US)
(*) Notice: This patent is subject to a terminal disclaimer.
(**) Term: **14 Years**
(21) Appl. No.: **29/513,639**
(22) Filed: **Jan. 3, 2015**
(51) **LOC (10) Cl.** **10-05**
(52) **U.S. Cl.**
USPC **D10/119.1**
(58) **Field of Classification Search**
USPC D10/119.1-119.3
CPC A63H 5/00; A01M 31/00
See application file for complete search history.

7,635,287 B2 * 12/2009 May A01M 31/004
446/207
7,727,044 B1 * 6/2010 Johnson A01M 31/004
446/177
D642,950 S * 8/2011 Barden D10/119.1

* cited by examiner

Primary Examiner — George D Kirschbaum
(74) *Attorney, Agent, or Firm* — Jeffrey Roddy

(57) **CLAIM**

I claim the ornamental design for the game call assembly, as shown and described.

DESCRIPTION

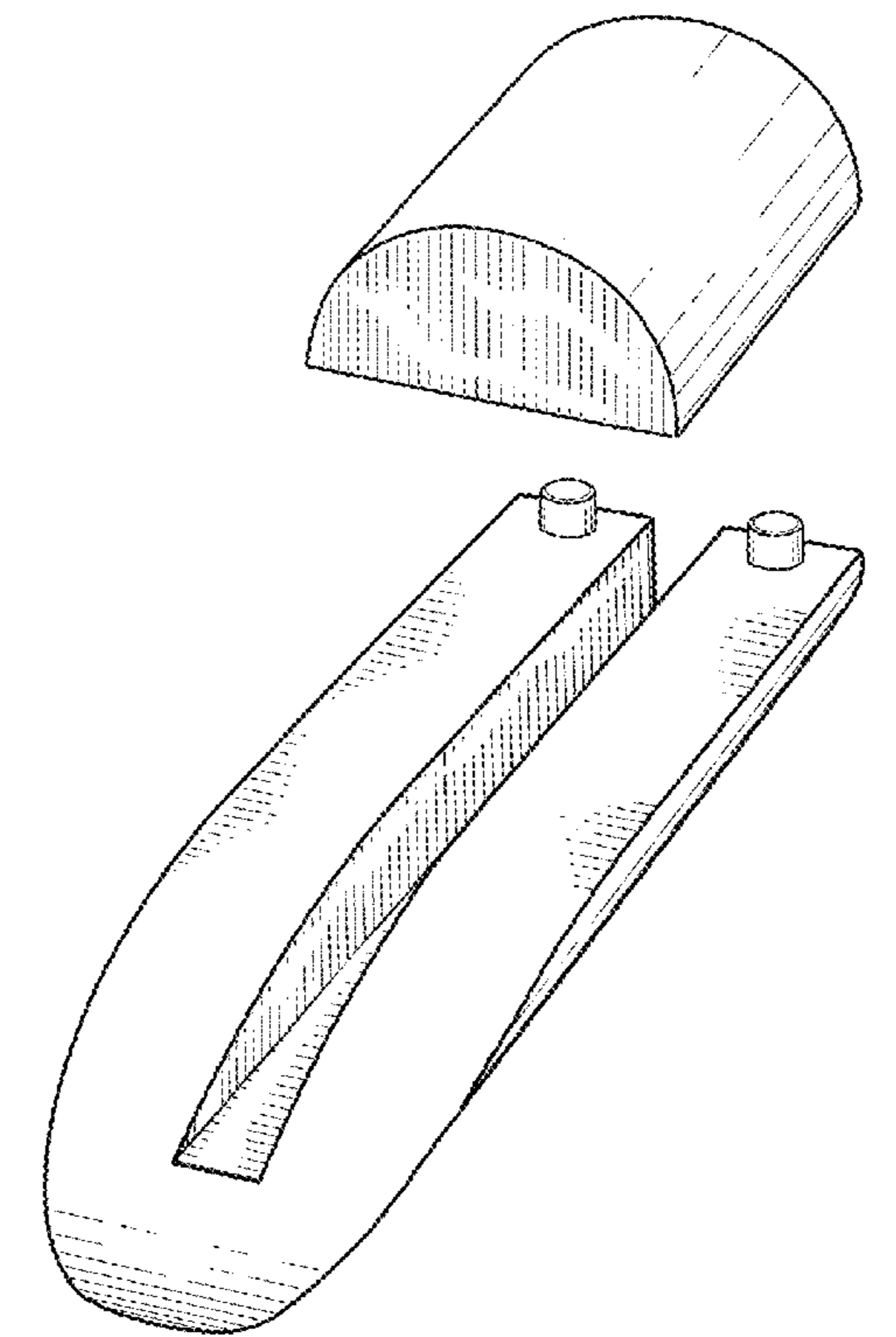
FIG. 1 is an exploded view of an embodiment of a game call assembly showing my new design; FIG. 2 is a perspective view thereof; FIG. 3 is a top plan view thereof; FIG. 4 is a side elevation thereof; FIG. 5 is an end view thereof; FIG. 6 is an end view thereof opposite that shown in (FIG. 5); FIG. 7 is a top plan view of a first portion thereof; FIG. 8 is a side plan view thereof; FIG. 9 is an end view thereof; FIG. 10 is an end view thereof opposite that shown in (FIG. 9); FIG. 11 is a top plan view of a second portion thereof; FIG. 12 is a bottom plan view thereof; FIG. 13 is a end view thereof; and, FIG. 14 is a side view thereof.

(56) **References Cited**

U.S. PATENT DOCUMENTS

4,050,186 A * 9/1977 Shults A01M 31/004
446/207
4,915,660 A * 4/1990 Overholt, Sr. A01M 31/004
446/207
5,222,903 A * 6/1993 Parrott A01M 31/004
446/202
5,910,039 A * 6/1999 Primos A01M 31/004
446/207
7,384,323 B2 * 6/2008 Sceery A01M 31/004
446/202

1 Claim, 7 Drawing Sheets



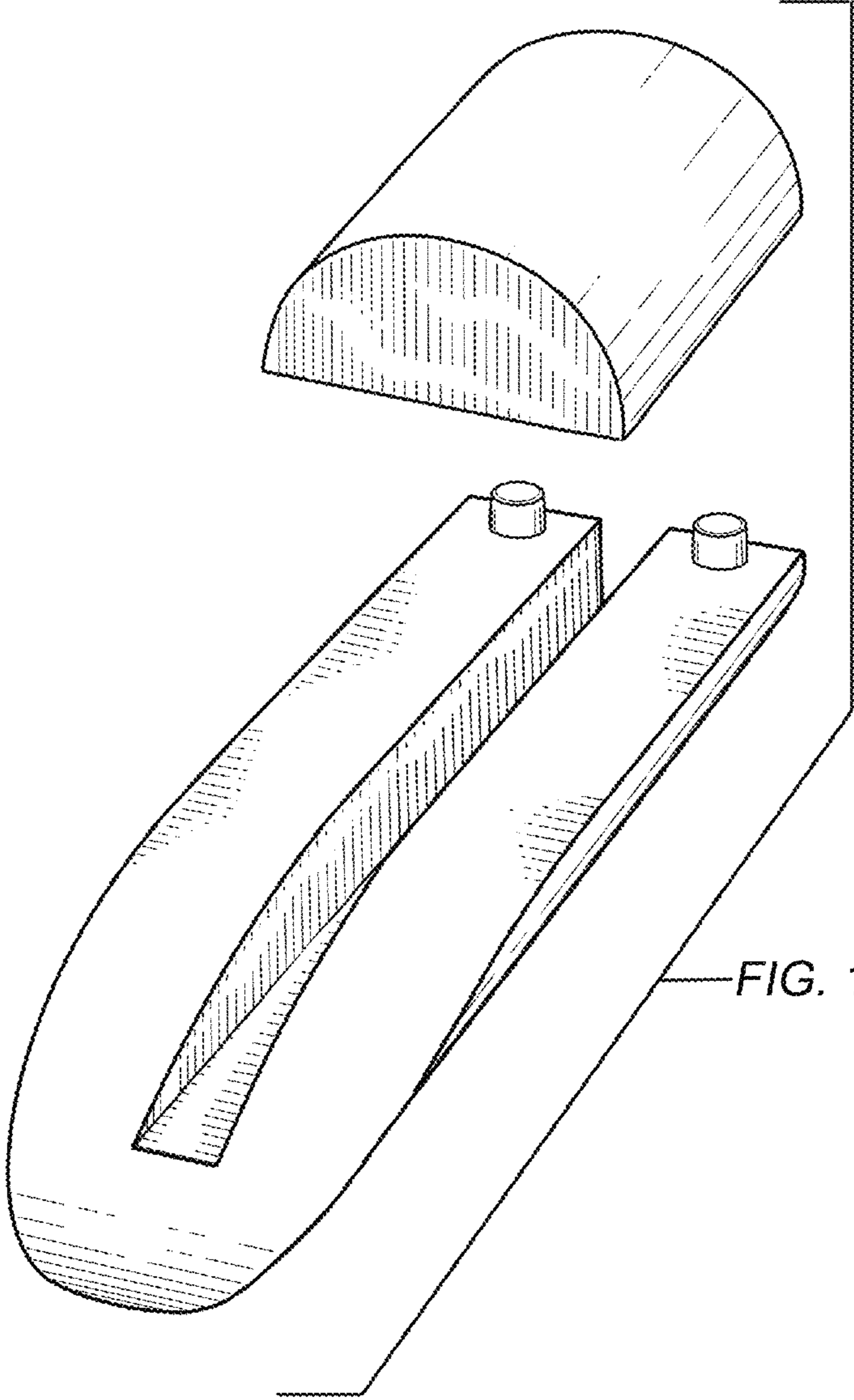
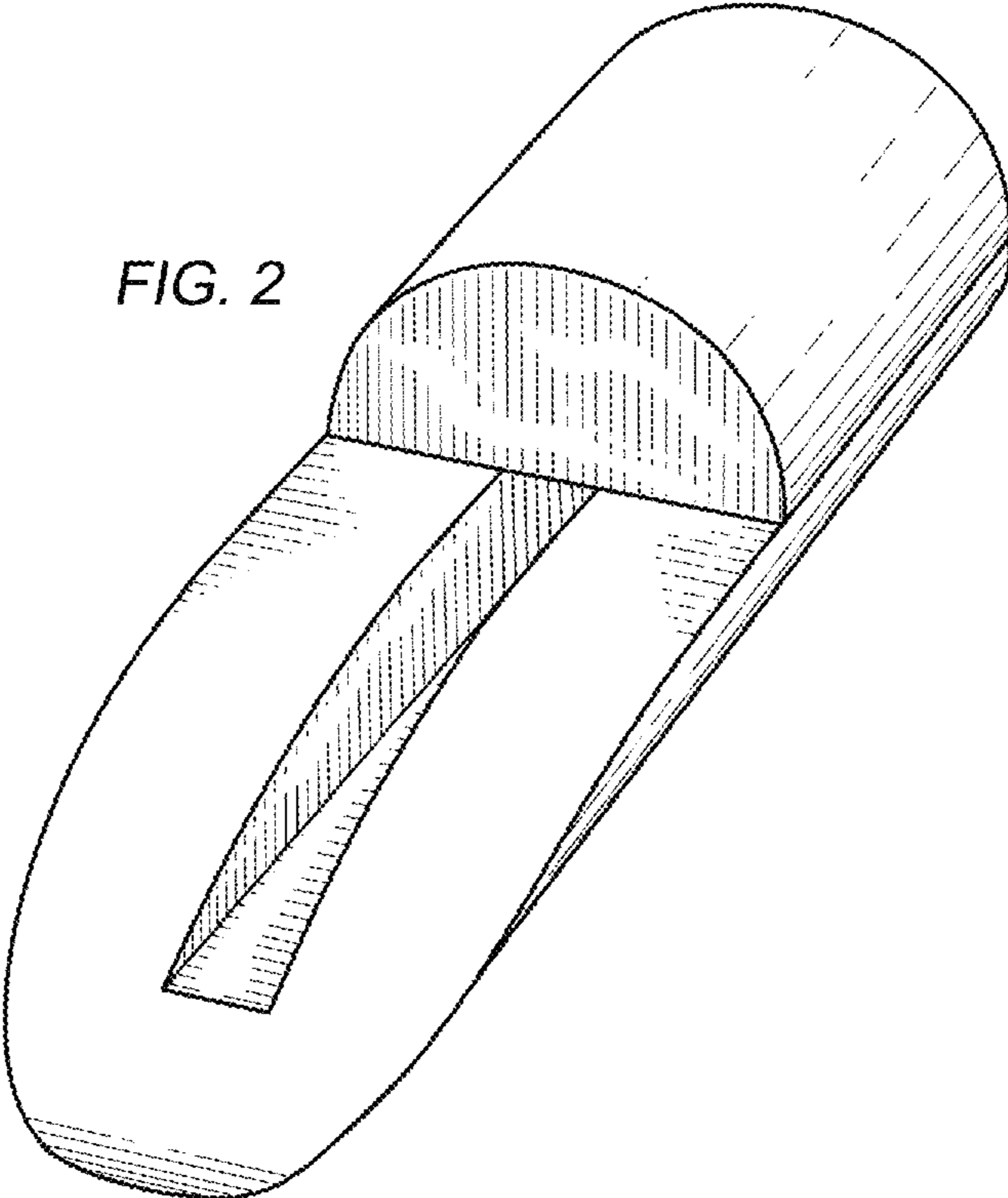


FIG. 1



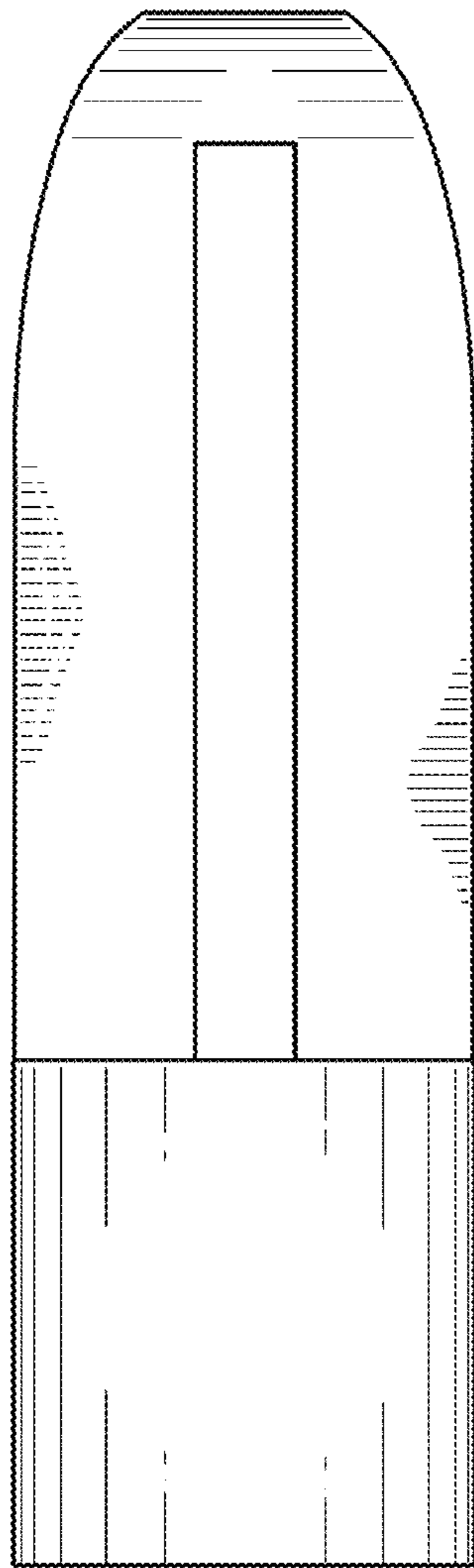


FIG. 3

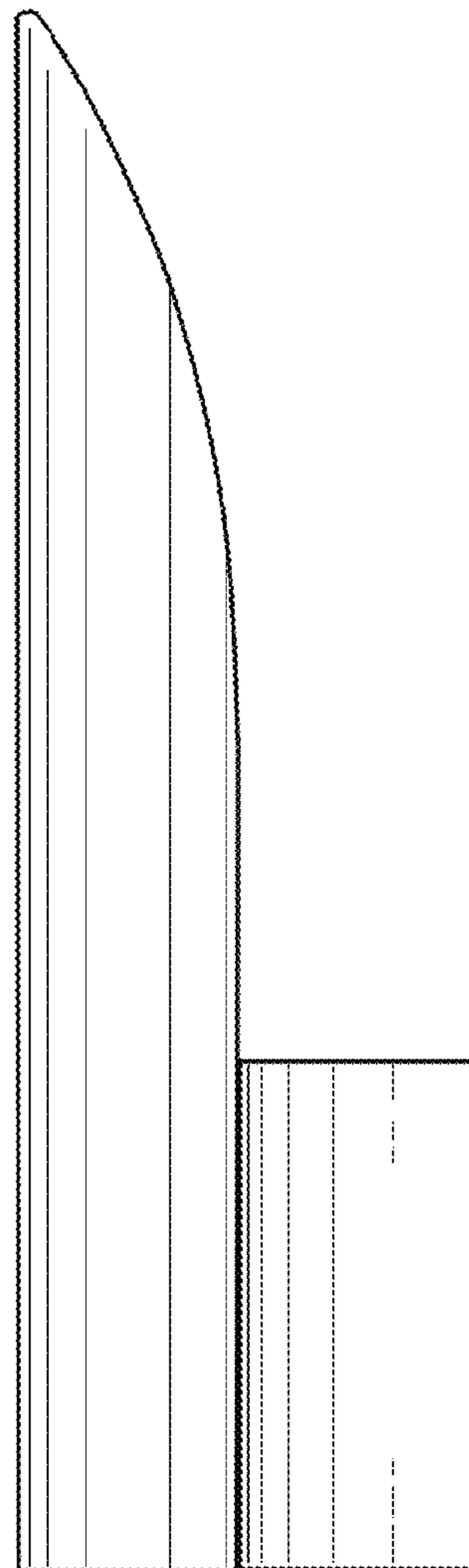


FIG. 4

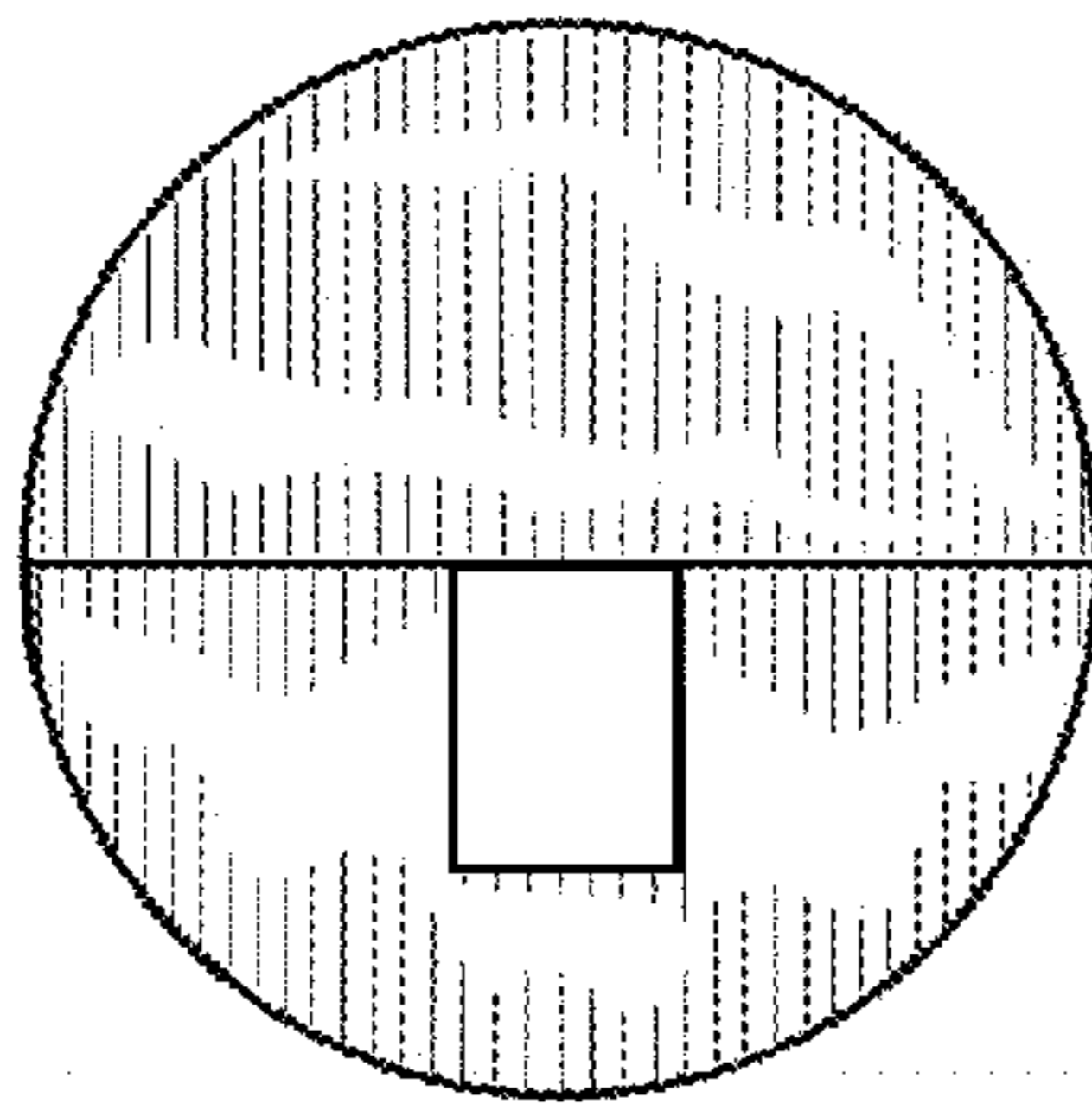


FIG. 5

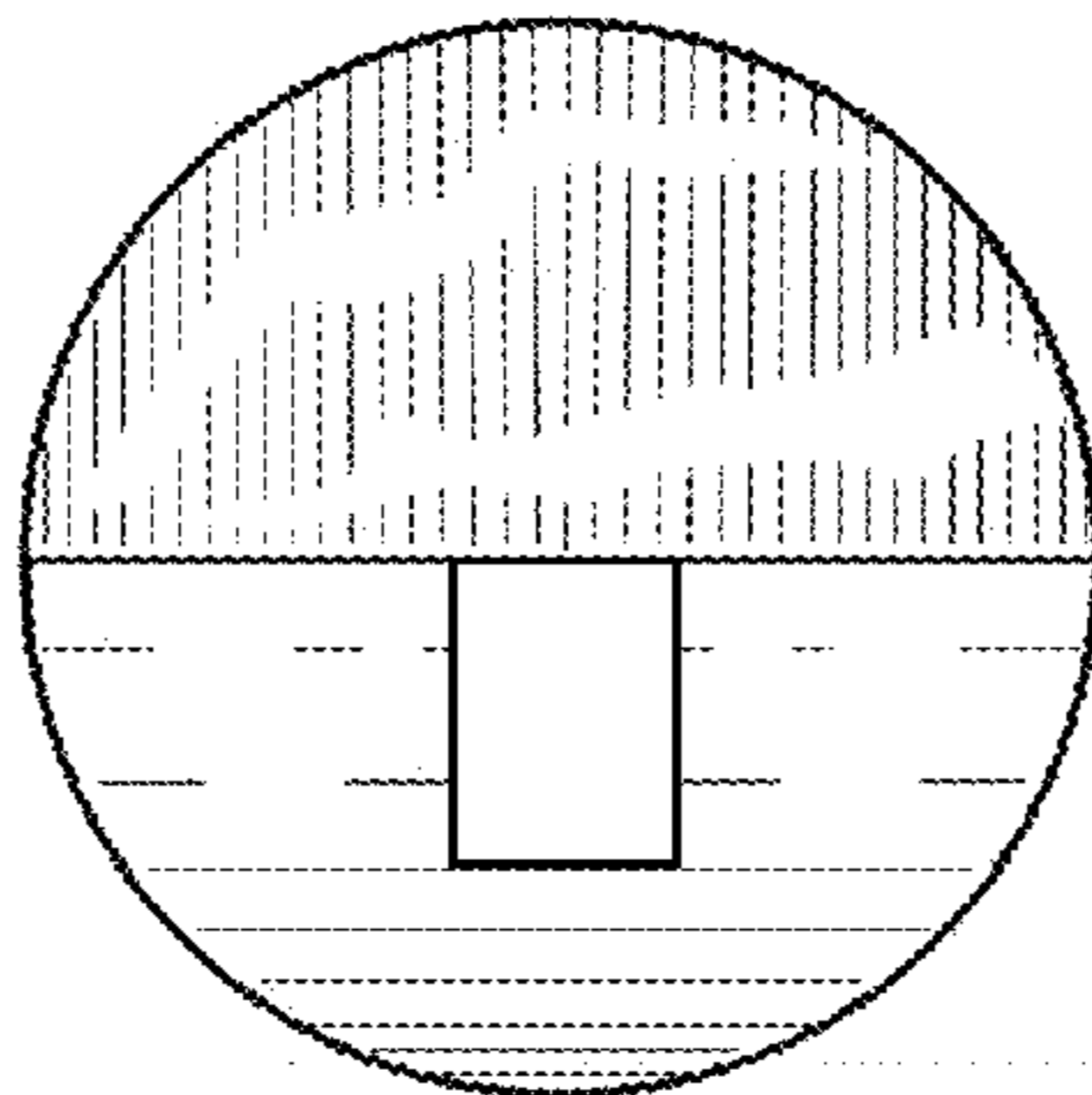


FIG. 6

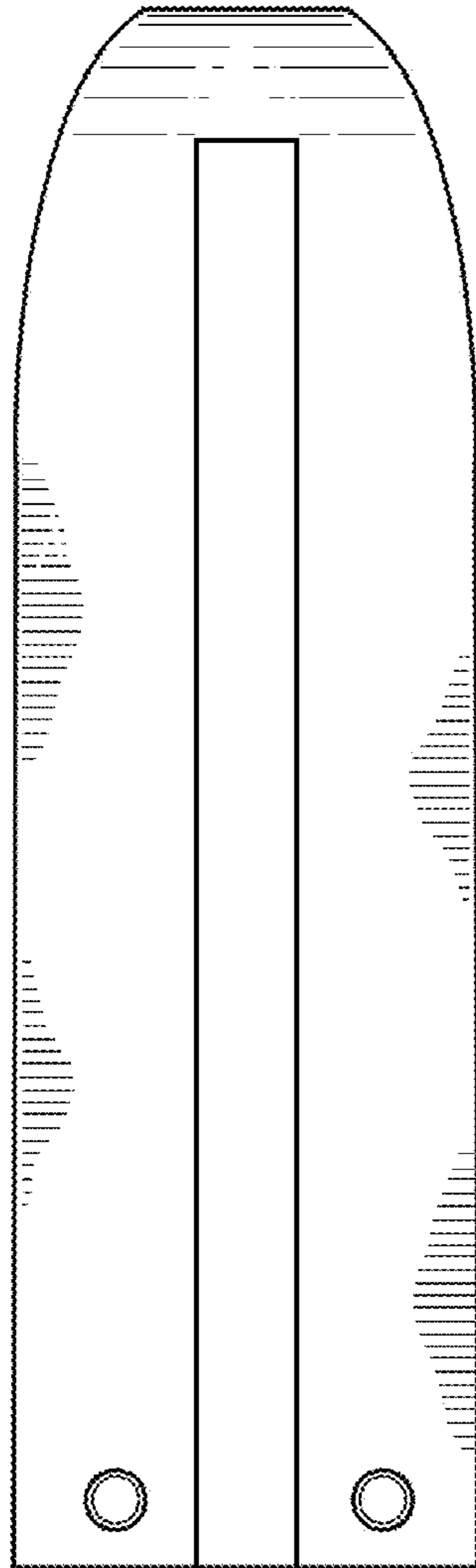


FIG. 7

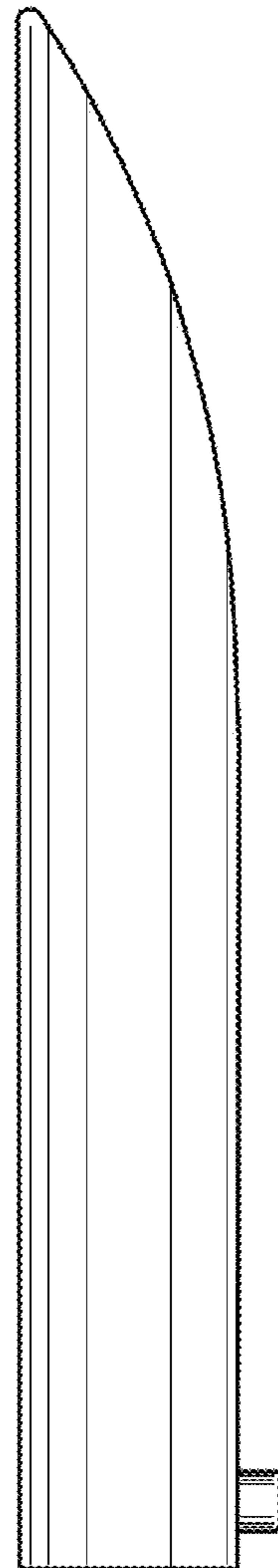


FIG. 8

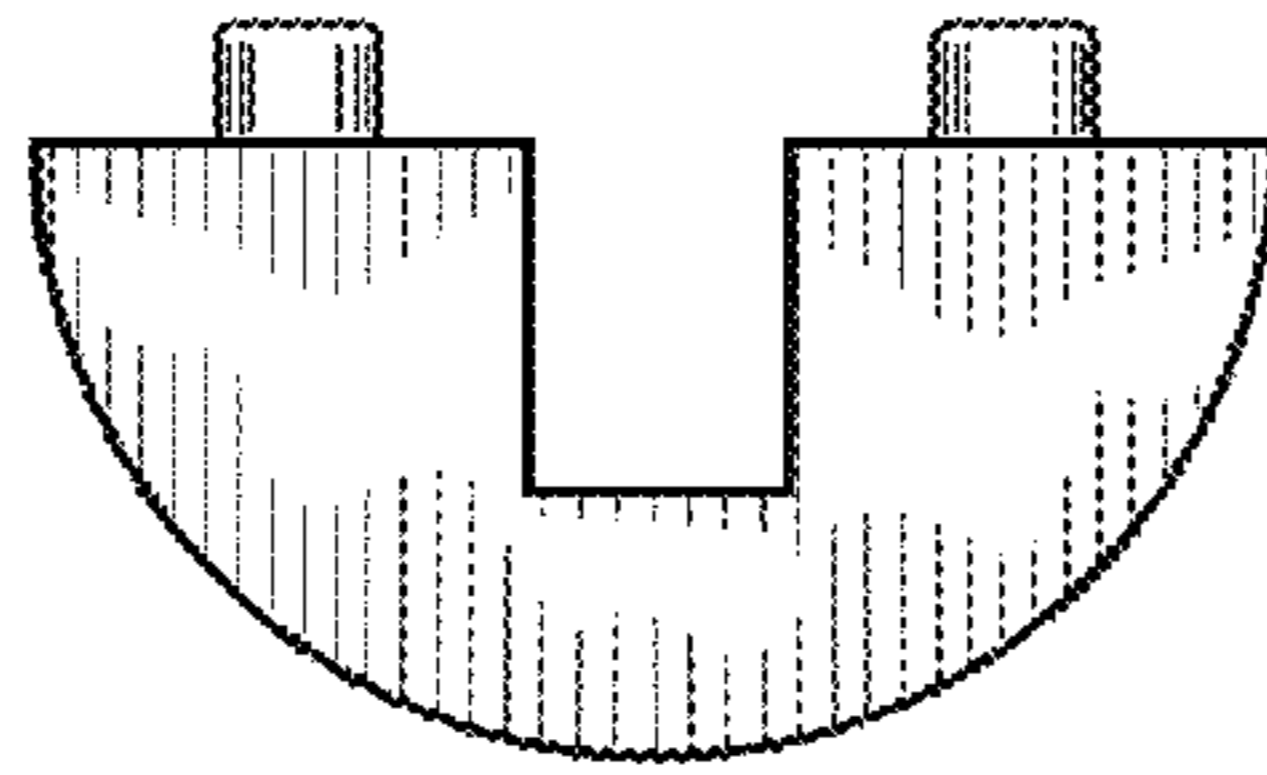


FIG. 9

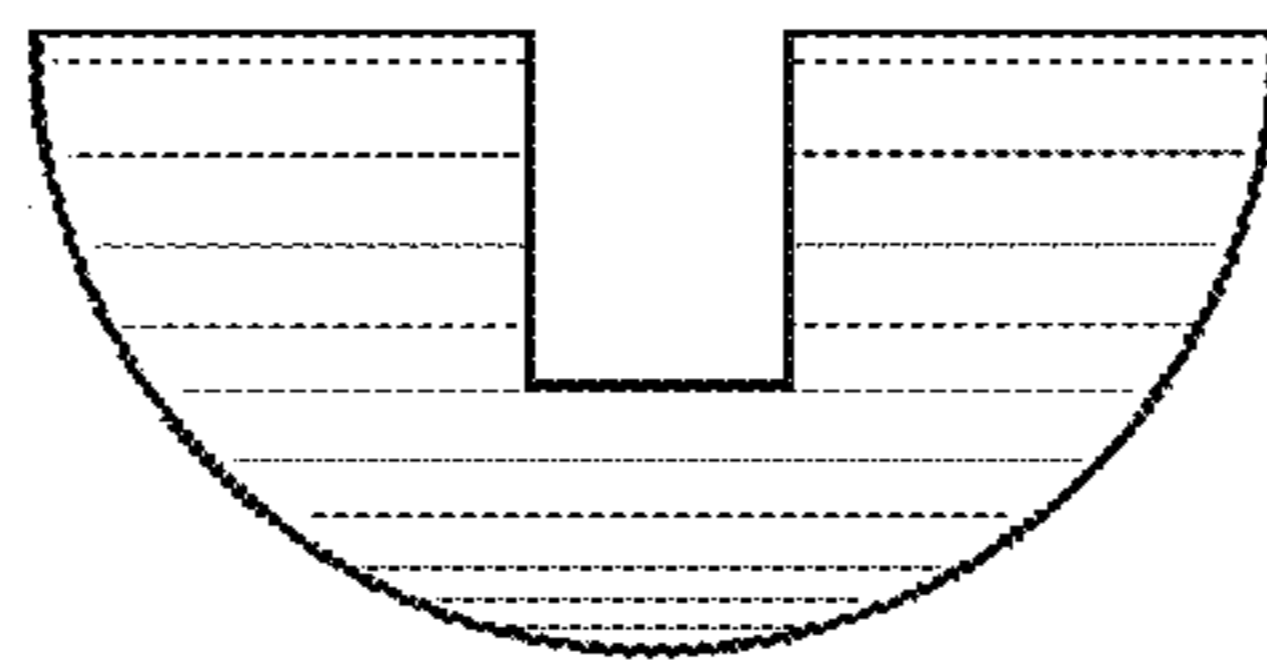


FIG. 10

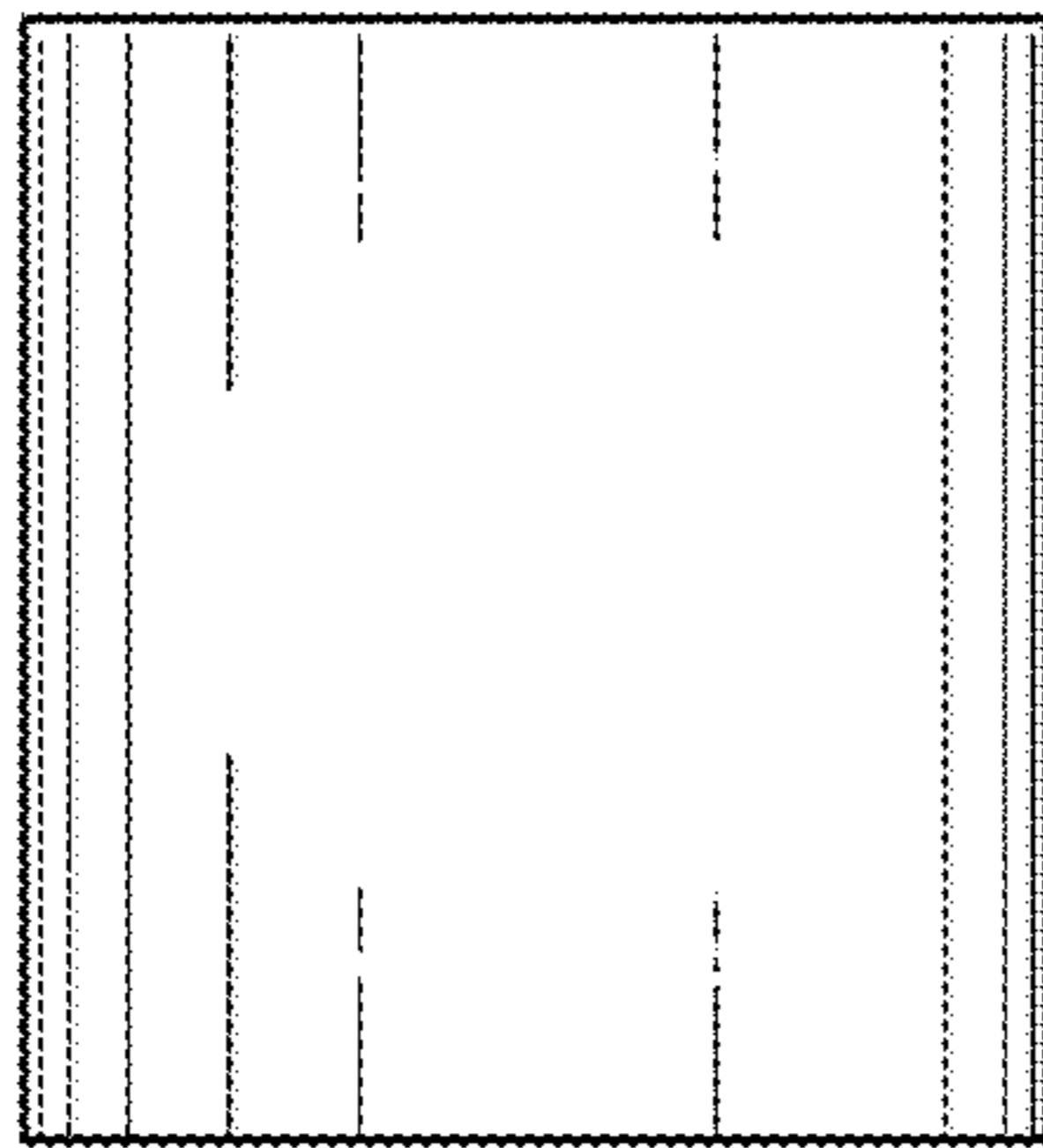


FIG. 11

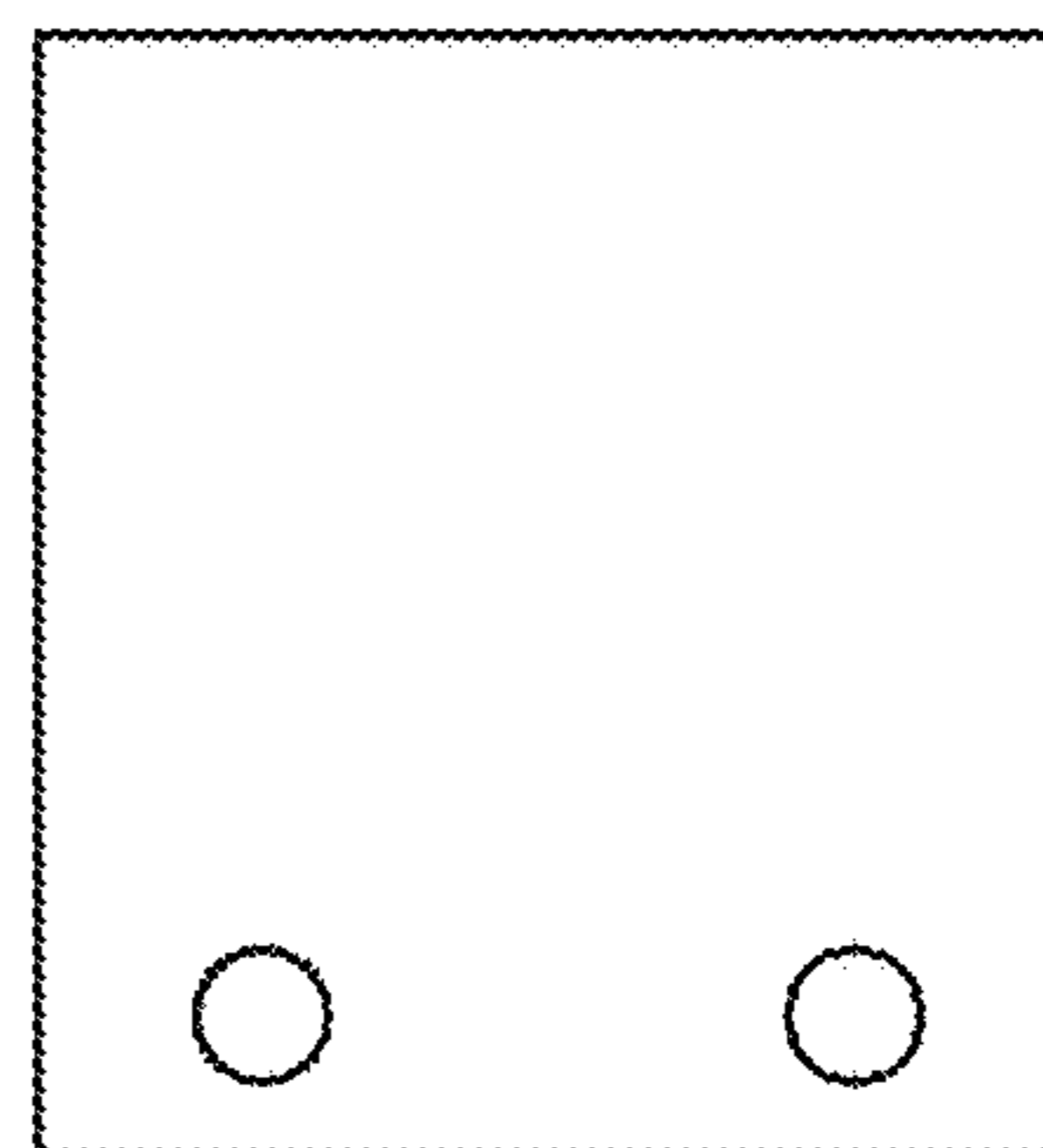


FIG. 12

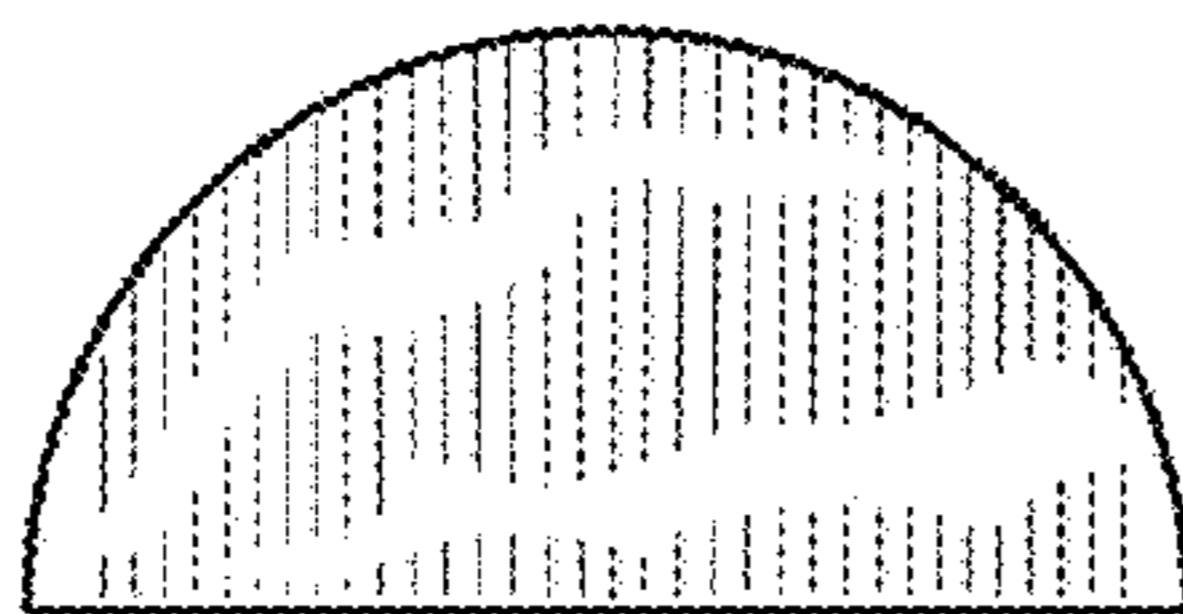


FIG. 13

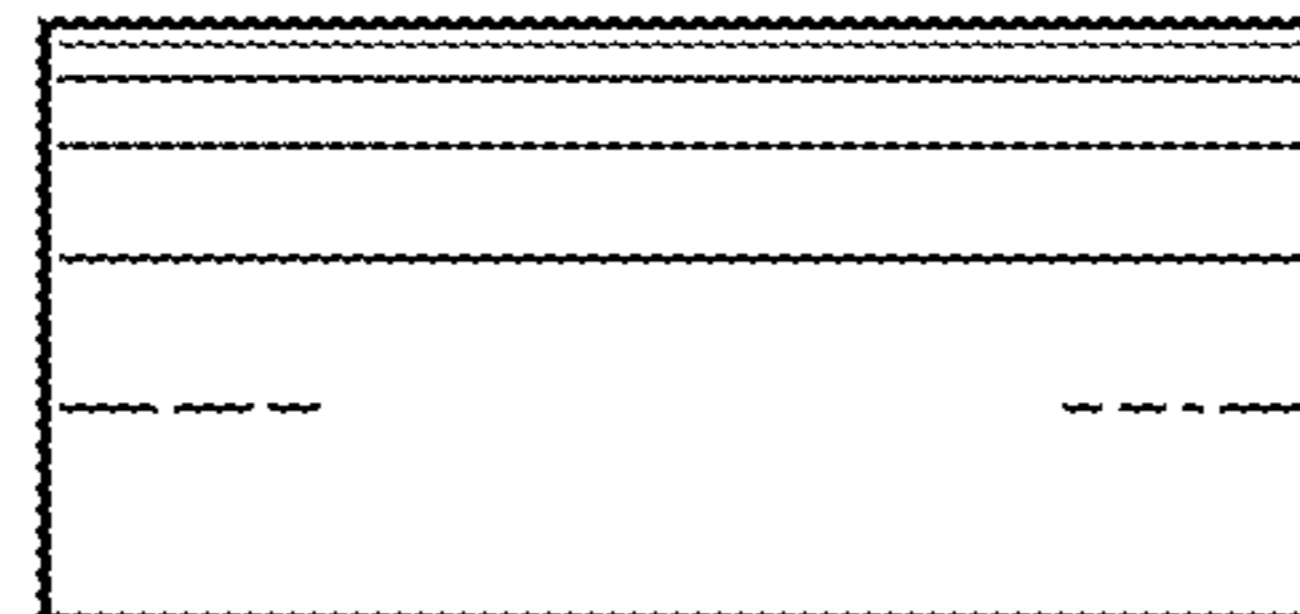


FIG. 14