



US00D789820S

(12) **United States Design Patent** (10) **Patent No.:** **US D789,820 S**  
**Siminoff et al.** (45) **Date of Patent:** **\*\* Jun. 20, 2017**

(54) **DOORBELL**

D764,958 S \* 8/2016 Scalisi ..... D10/118.2  
D765,530 S \* 9/2016 Scalisi ..... D10/118.2  
2004/0124978 A1\* 7/2004 Chen ..... G08B 15/001  
340/539.14

(71) Applicant: **BOT HOME AUTOMATION, INC.**,  
Santa Monica, CA (US)

(72) Inventors: **James Siminoff**, Pacific Palisades, CA  
(US); **Christopher Loew**, Palto Alto,  
CA (US)

\* cited by examiner

*Primary Examiner* — George D Kirschbaum  
(74) *Attorney, Agent, or Firm* — White and Williams LLP

(73) Assignee: **BOT Home Automation, Inc.**, Santa  
Monica, CA (US)

(\*\*) Term: **15 Years**

(57) **CLAIM**

The ornamental design for a doorbell, as shown and  
described.

(21) Appl. No.: **29/558,148**

(22) Filed: **Mar. 15, 2016**

**DESCRIPTION**

(51) **LOC (10) Cl.** ..... **10-05**

(52) **U.S. Cl.**

USPC ..... **D10/118.2; D13/171**

(58) **Field of Classification Search**

USPC ..... D10/118.2, 121; D13/171, 174

CPC ..... G08B 15/001

See application file for complete search history.

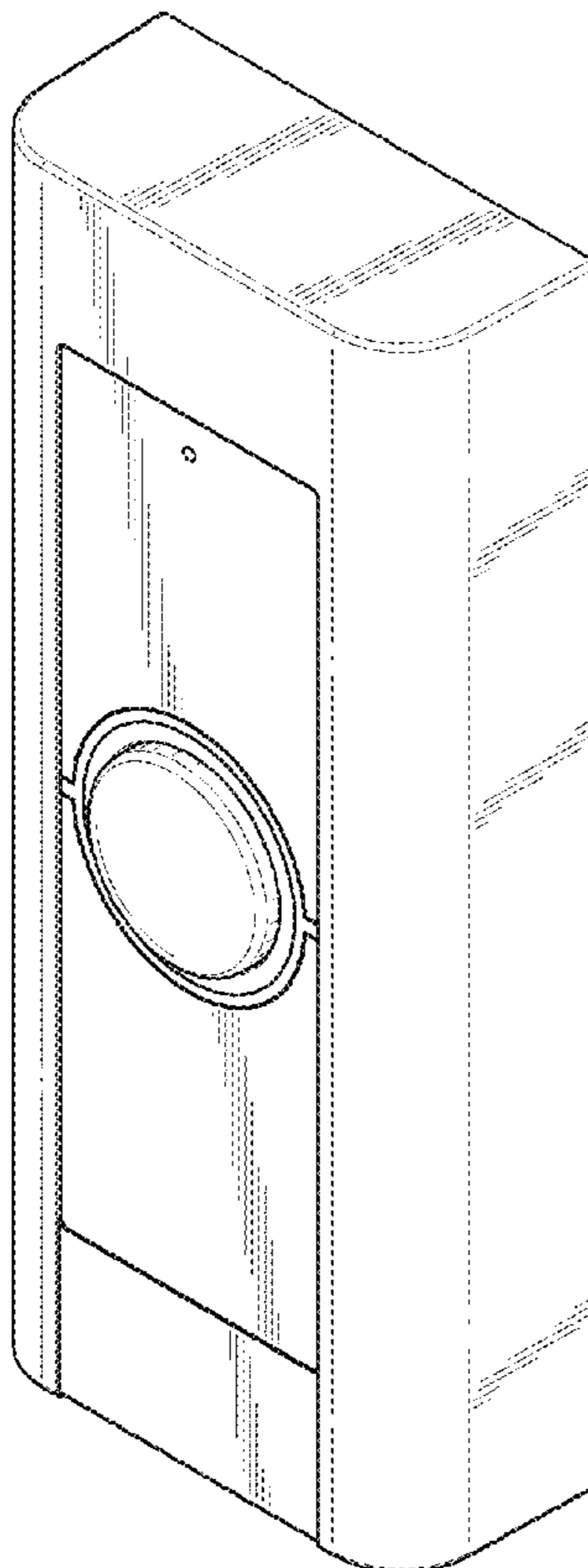
FIG. 1 is a front perspective view of a preferred embodiment  
of the doorbell according to the present design;  
FIG. 2 is a front elevational view of the doorbell of FIG. 1;  
FIG. 3 is a rear elevational view of the doorbell of FIG. 1;  
FIG. 4 is a right-side elevational view of the doorbell of FIG.  
1, the left-side elevational view being a mirror image  
thereof;  
FIG. 5 is a top plan view of the doorbell of FIG. 1; and,  
FIG. 6 is a bottom plan view of the doorbell of FIG. 1.  
The broken lines depict unclaimed environmental subject  
matter.

(56) **References Cited**

**U.S. PATENT DOCUMENTS**

D605,542 S \* 12/2009 Ho ..... D10/118  
D636,286 S \* 4/2011 Khor ..... D10/118

**1 Claim, 5 Drawing Sheets**



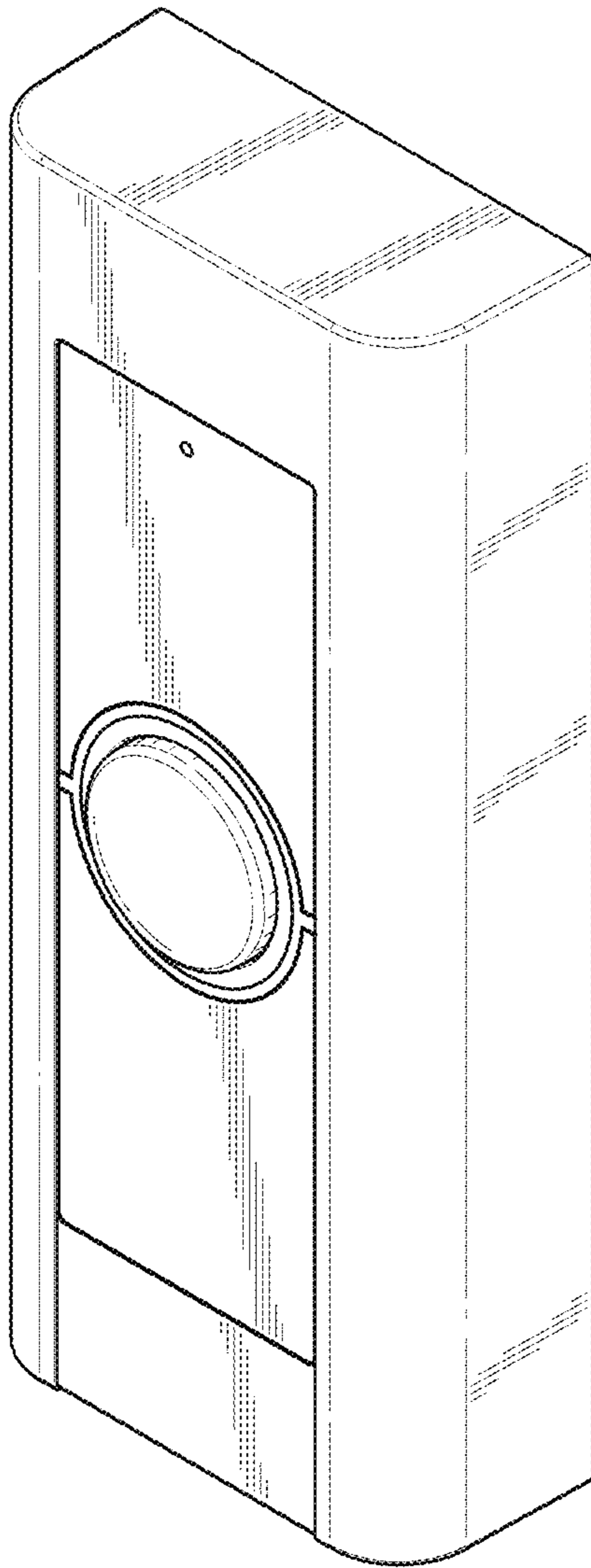


FIG. 1

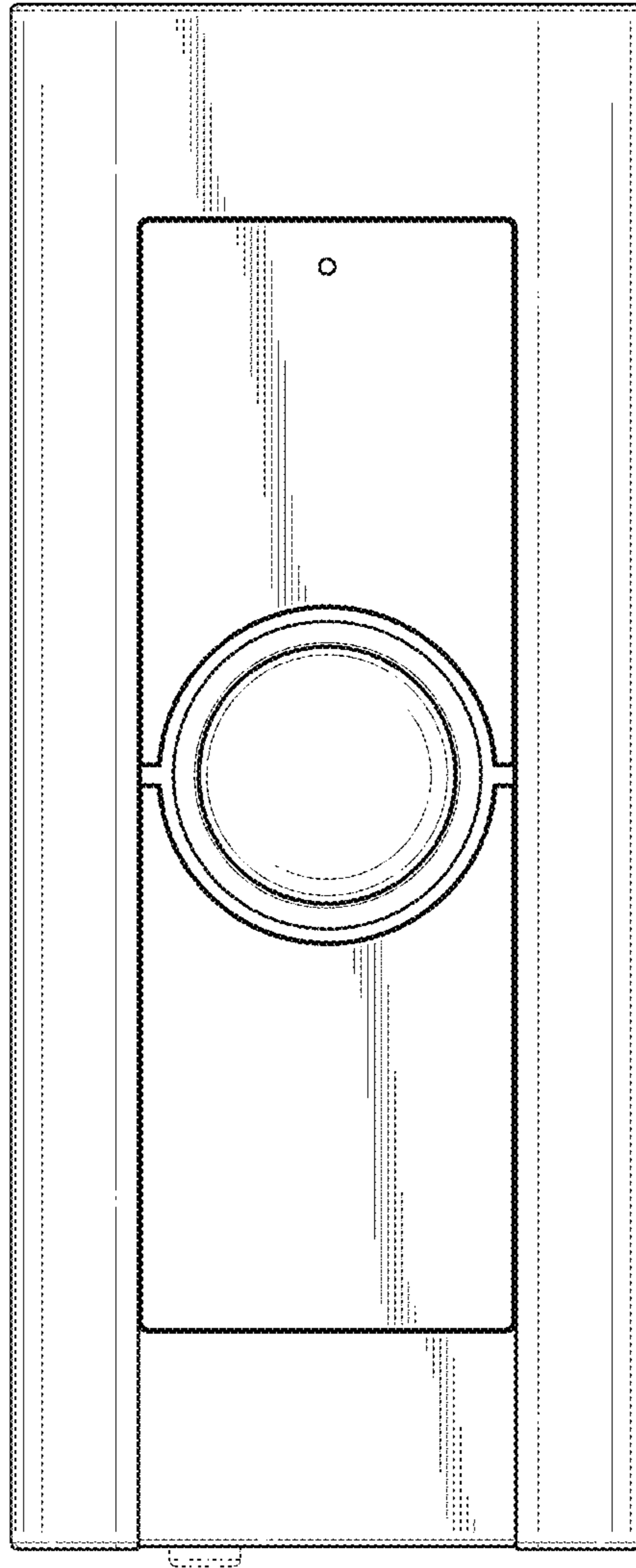


FIG. 2

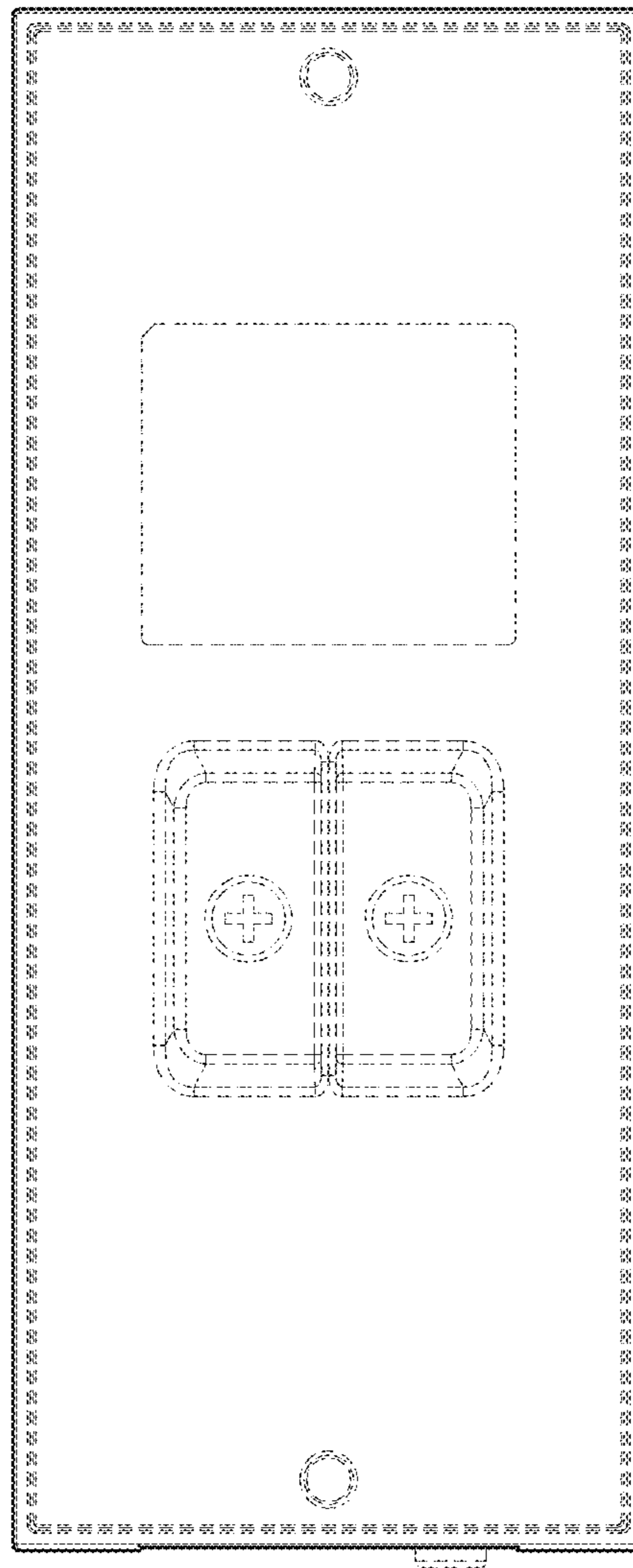


FIG. 3

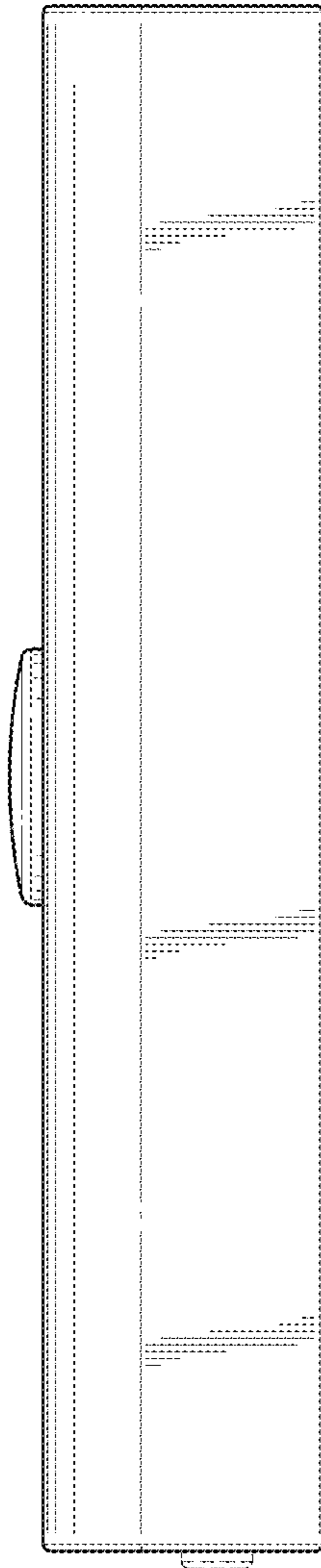


FIG. 4

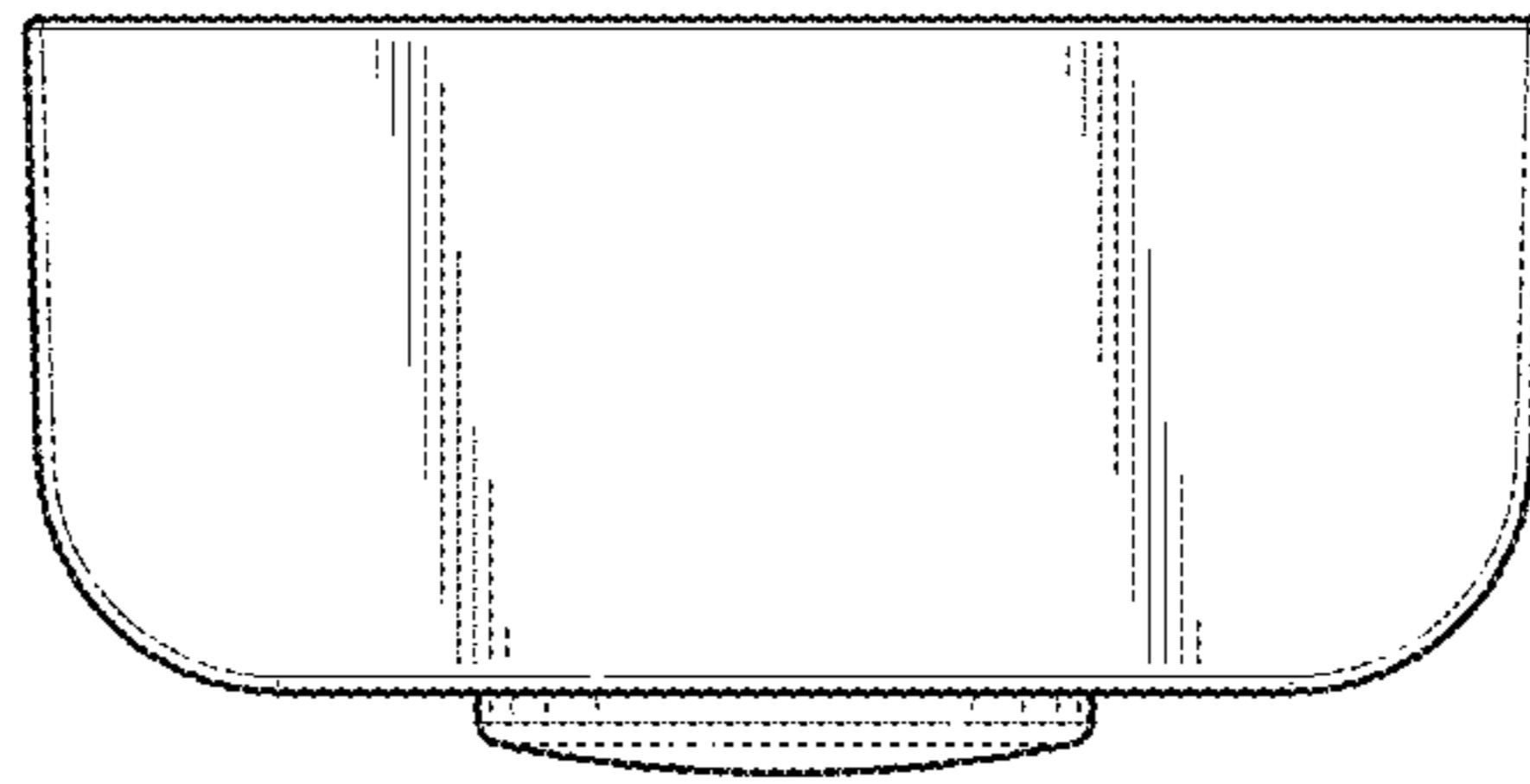


FIG. 5

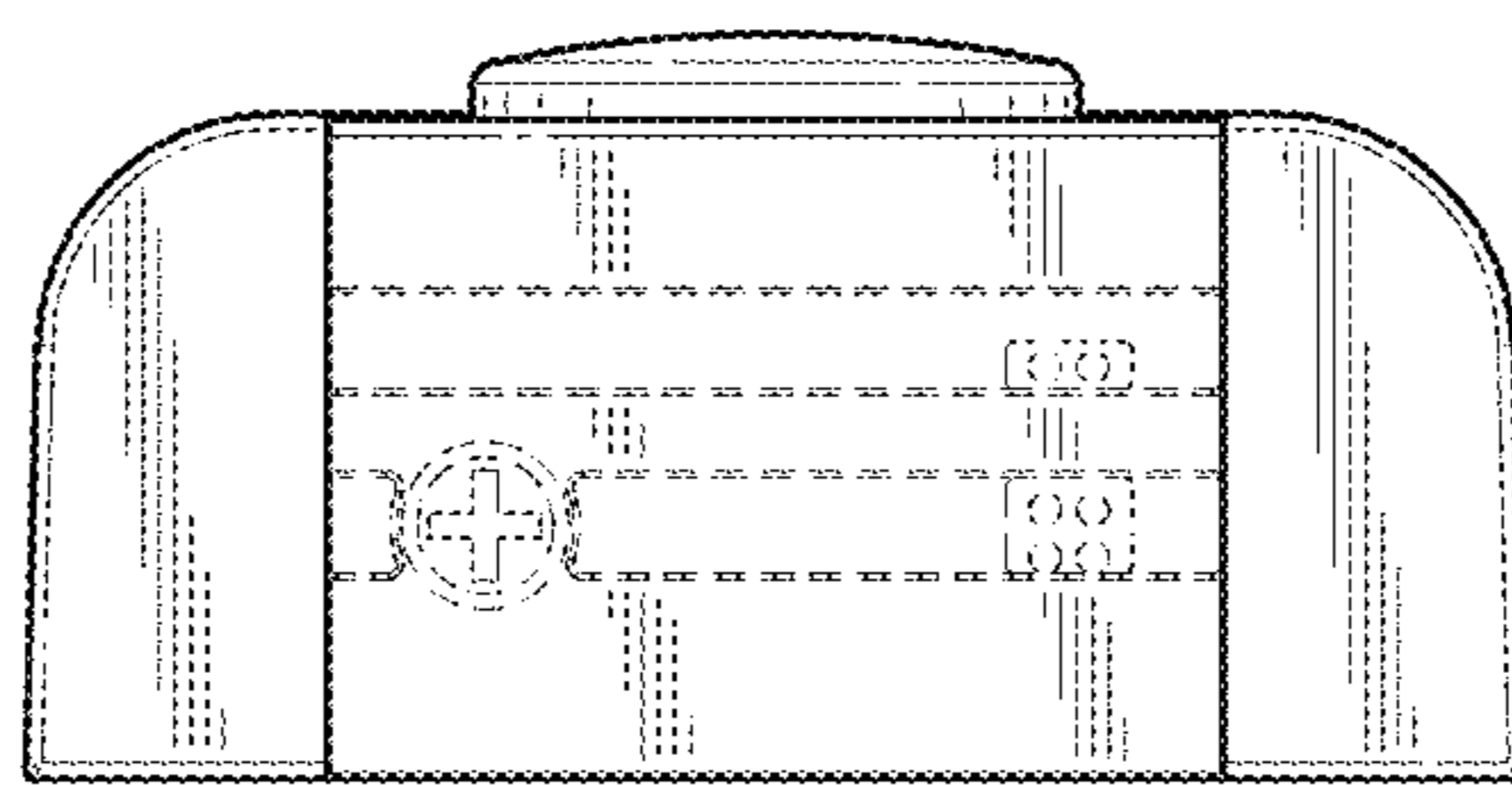


FIG. 6