



US00D789818S

(12) **United States Design Patent**
Moore

(10) **Patent No.:** **US D789,818 S**

(45) **Date of Patent:** **** Jun. 20, 2017**

(54) **AIR BRAKE TEST MANIFOLD**

(71) Applicant: **A.B.Moore Forensic Engineering, Inc.**, Orlando, FL (US)
(72) Inventor: **Alan Bradley Moore**, Casselberry, FL (US)
(73) Assignee: **A.B.Moore Forensic Engineering, Inc.**, Orlando, FL (US)

(**) Term: **15 Years**

(21) Appl. No.: **29/571,626**

(22) Filed: **Jul. 20, 2016**

(51) **LOC (10) Cl.** **10-04**

(52) **U.S. Cl.**

USPC **D10/83**

(58) **Field of Classification Search**

USPC D10/83-85

CPC B60T 17/221; B60T 17/222; B60T 17/223;

B60T 17/225; B60T 17/226; B60T

17/227; B60T 2270/88

See application file for complete search history.

(56) **References Cited**

U.S. PATENT DOCUMENTS

D653,572 S * 2/2012 Ohtani D10/102

D769,141 S * 10/2016 Merrill D10/85

OTHER PUBLICATIONS

Brake Insite website, <http://www.brakeinsite.com/>, date downloaded Jan. 13, 2016.

* cited by examiner

Primary Examiner — Antoine D Davis

(74) *Attorney, Agent, or Firm* — Courtney Dunn; Stephen C. Thomas

(57) **CLAIM**

The ornamental design for an air brake test manifold, as shown and described.

DESCRIPTION

FIG. 1 depicts a front perspective view of the air brake test manifold of the invention shown connected to a gladhand connector and a ball valve.

FIG. 2 depicts a front elevational view of the air brake test manifold of the invention.

FIG. 3 depicts a left side elevational view of the air brake test manifold of the invention.

FIG. 4 depicts a right side elevational view of the air brake test manifold of the invention.

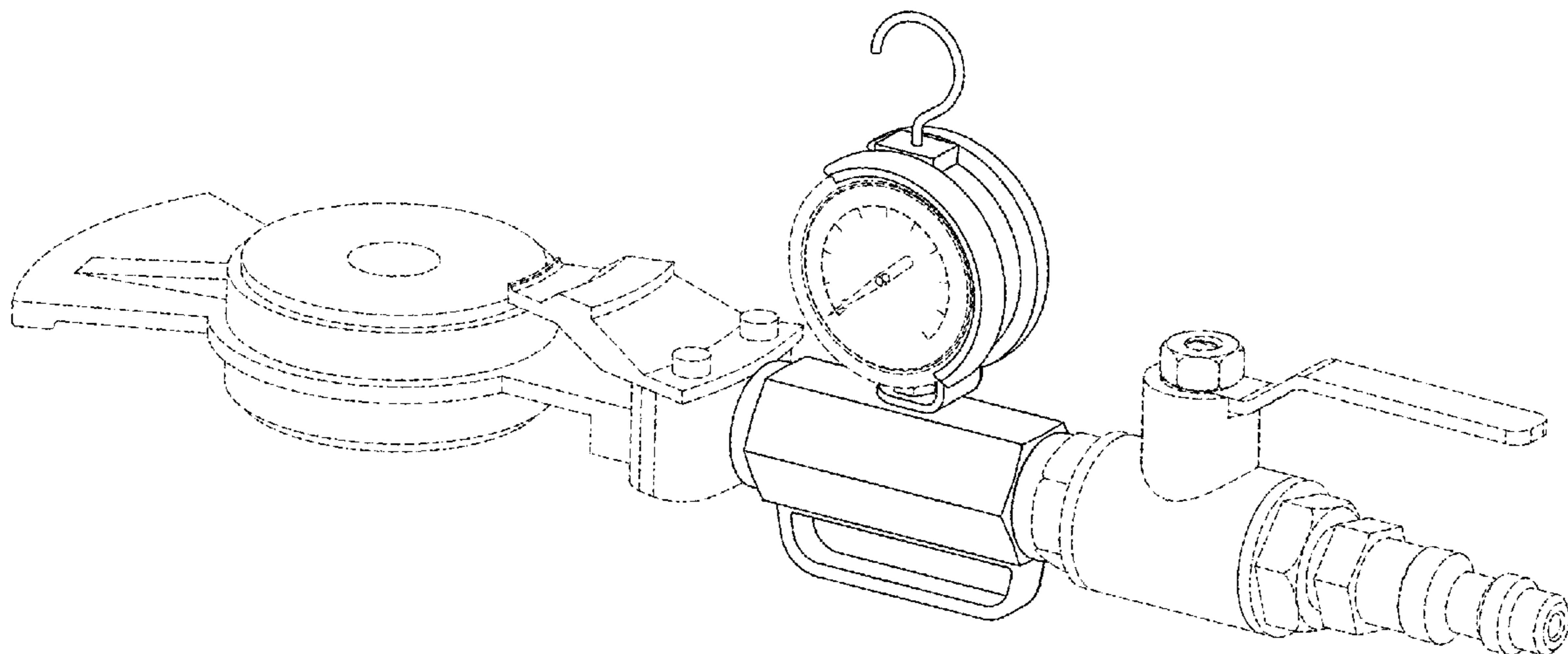
FIG. 5 depicts a top plan view of the air brake test manifold of the invention.

FIG. 6 depicts a bottom plan view of the air brake test manifold of the invention; and,

FIG. 7 depicts an exploded perspective view of the air brake test manifold of the invention.

The broken lines depicted in the drawings depict environmental features that form no part of the claimed design.

1 Claim, 5 Drawing Sheets



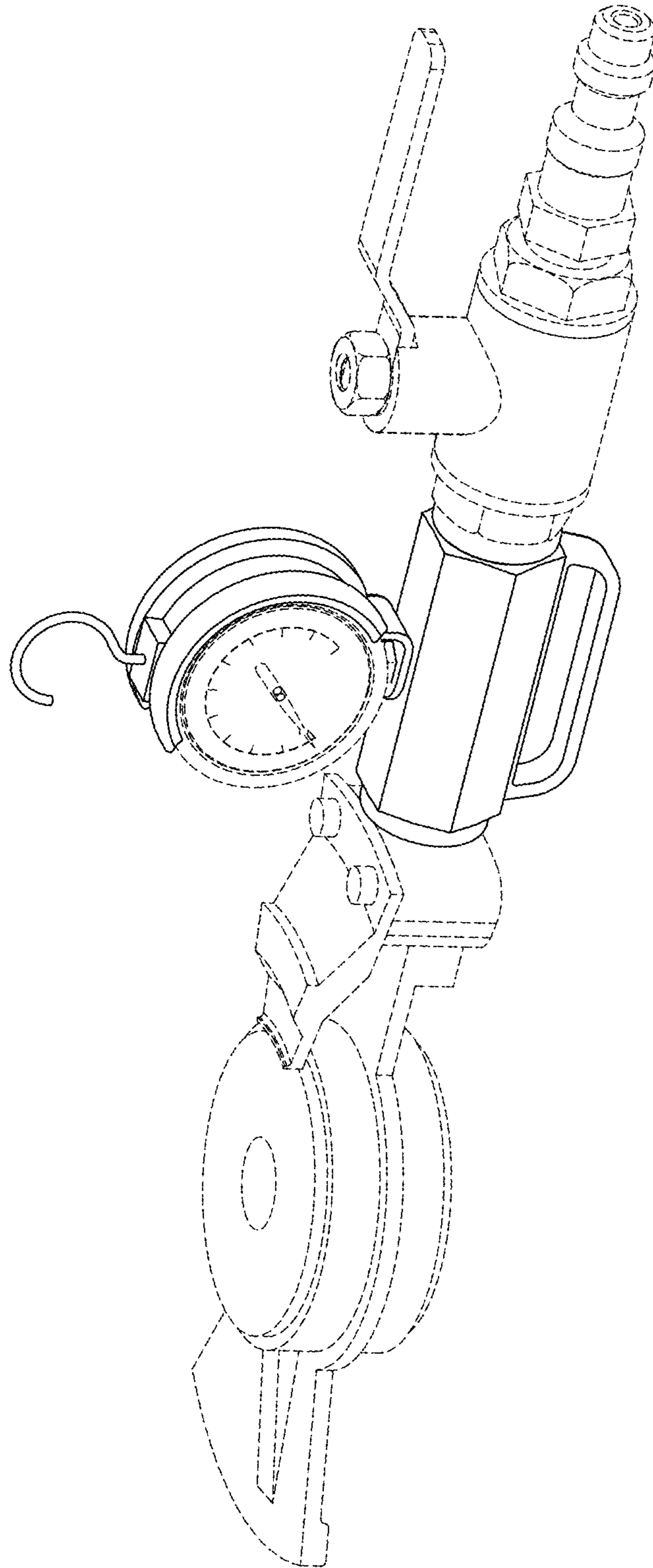


FIG. 1

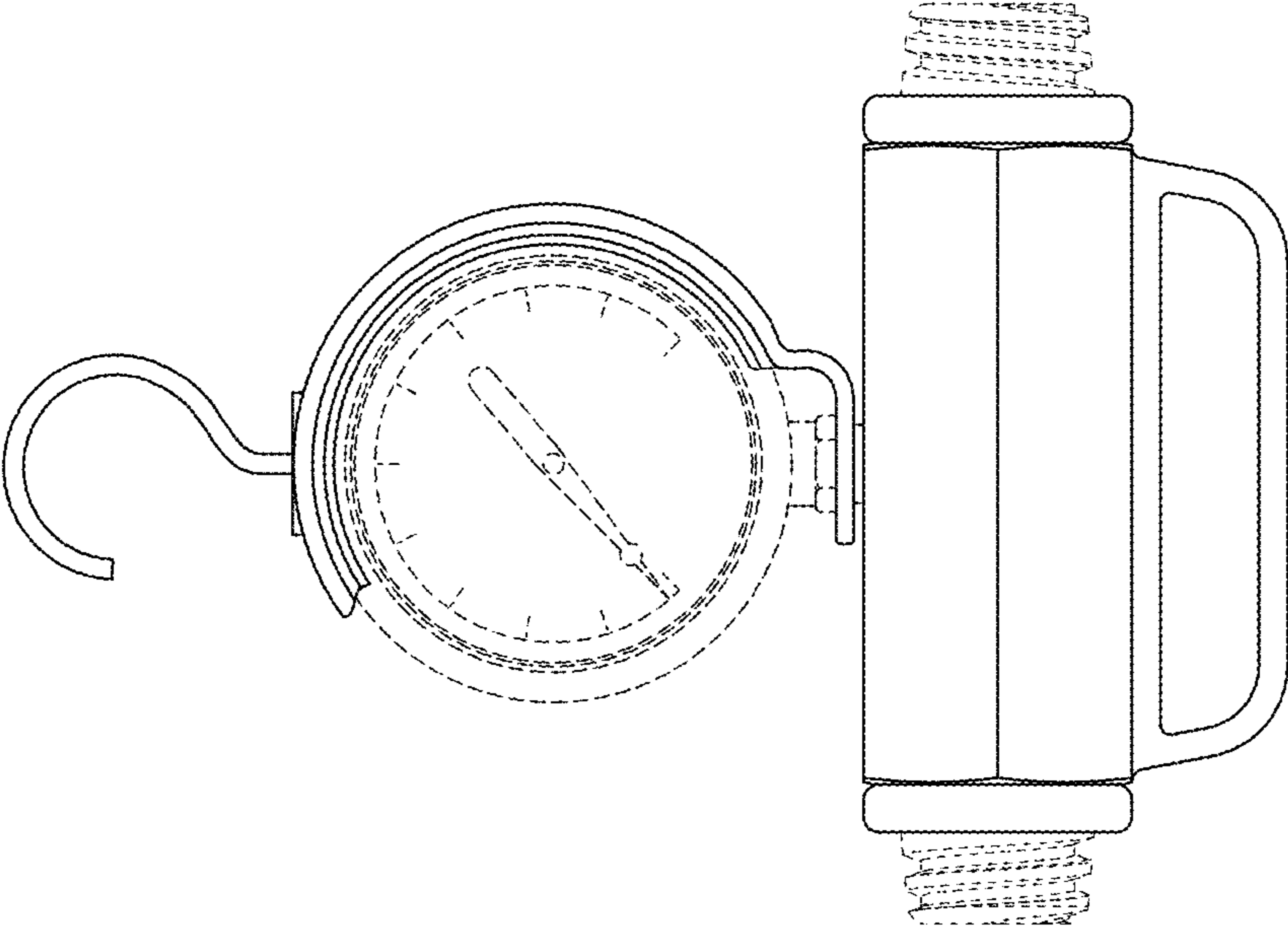


FIG. 2

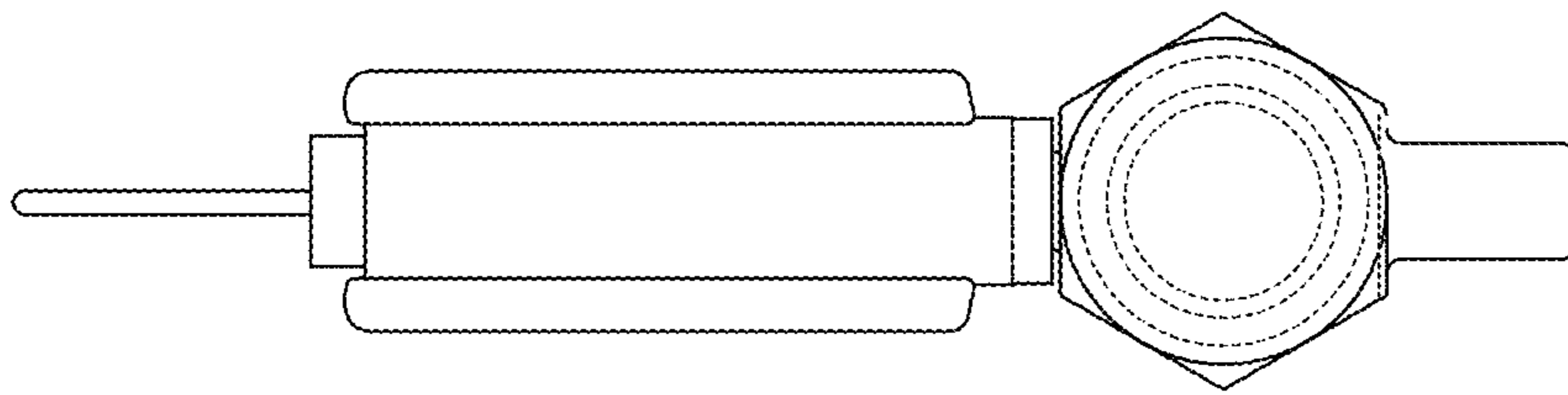


FIG. 4

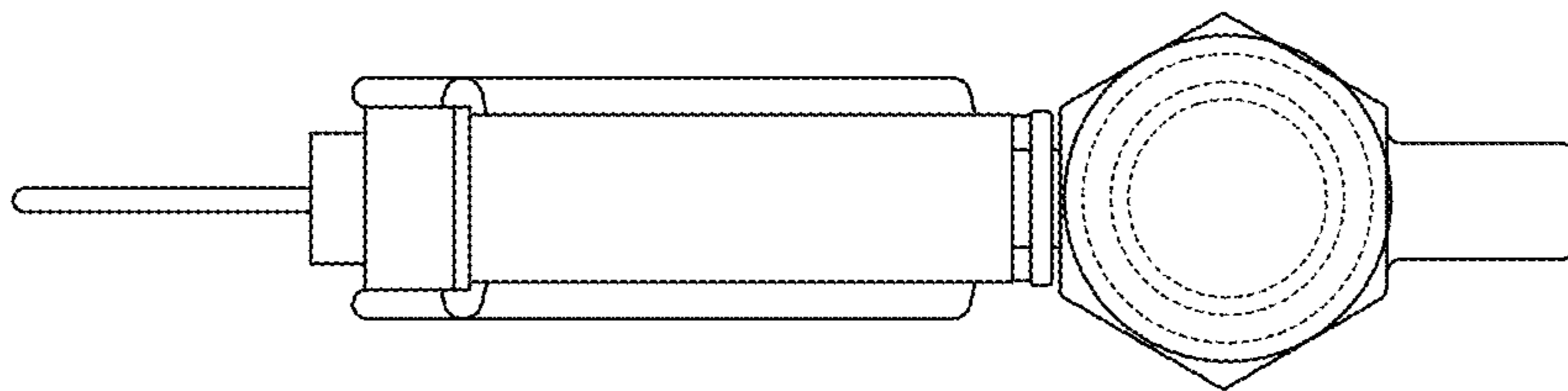


FIG. 3

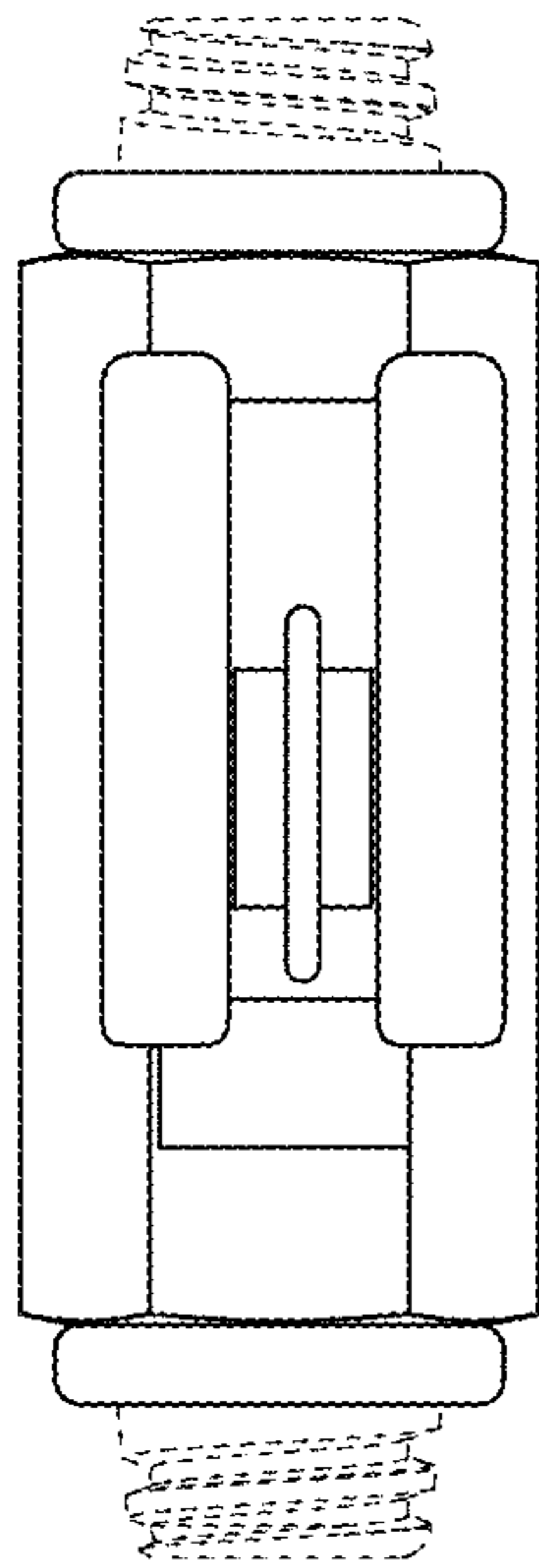


FIG. 5

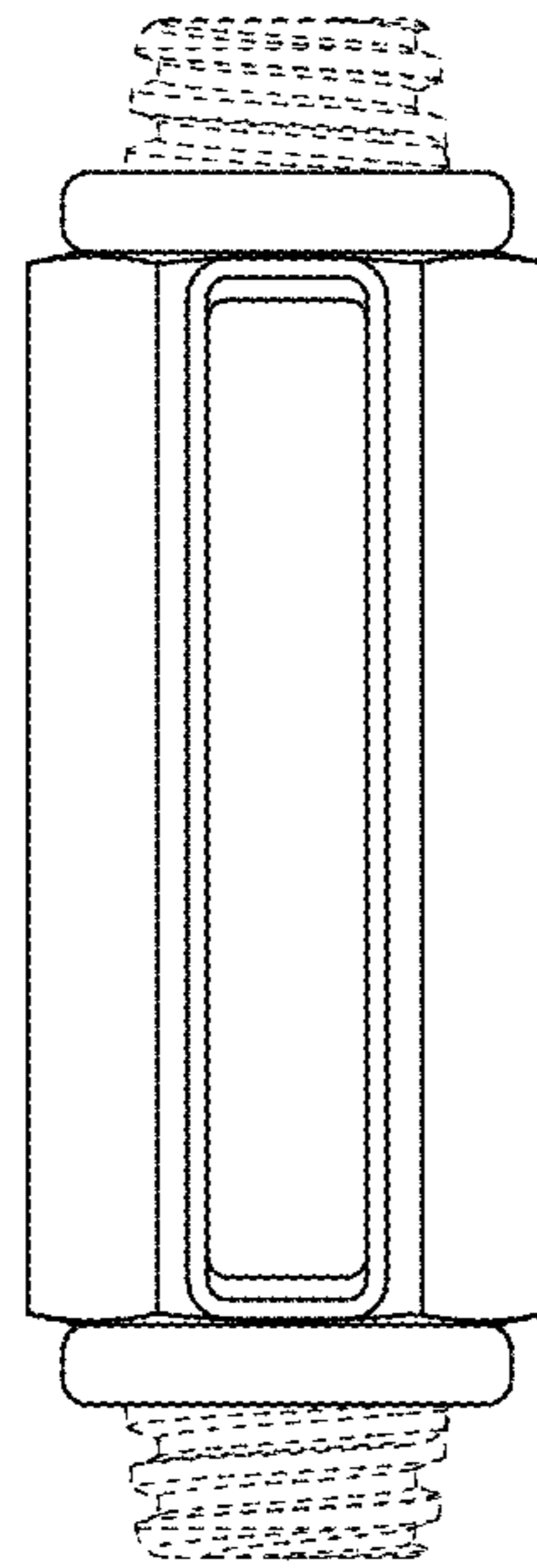


FIG. 6

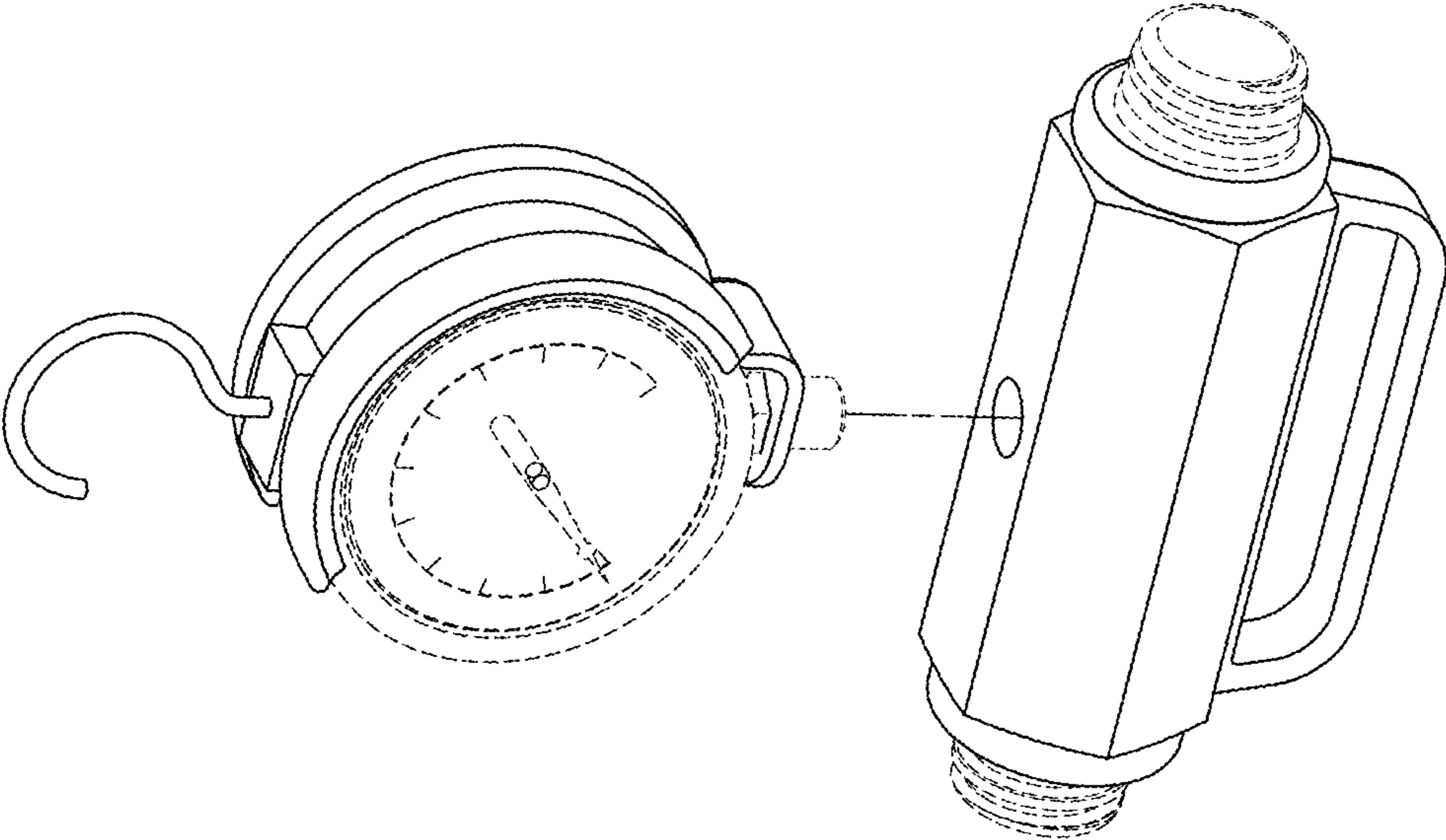


FIG. 7