



US00D789817S

(12) **United States Design Patent**
Shen

(10) **Patent No.:** **US D789,817 S**

(45) **Date of Patent:** **** Jun. 20, 2017**

(54) **VIBRATION METER**

(71) Applicant: **Fluke Corporation**, Everett, WA (US)

(72) Inventor: **Yurui Shen**, Shanghai (CN)

(73) Assignee: **Fluke Corporation**, Everett, WA (US)

(**) Term: **15 Years**

(21) Appl. No.: **29/552,530**

(22) Filed: **Jan. 22, 2016**

(30) **Foreign Application Priority Data**

Jul. 22, 2015 (CN) 201530265581

(51) **LOC (10) Cl.** **10-04**

(52) **U.S. Cl.**
USPC **D10/83**

(58) **Field of Classification Search**

USPC D10/83-85

CPC G01H 1/00; G01H 1/003; G01H 1/006;
G01H 1/04; G01H 1/06; G01H 1/08;
G01H 1/10; G01H 1/12; G01H 1/14;
G01H 1/16; G01H 3/00; G01H 3/005;
G01H 3/04; G01H 3/06; G01H 3/08;
G01H 3/10; G01H 3/12; G01H 3/125;
G01H 3/14

See application file for complete search history.

(56) **References Cited**

U.S. PATENT DOCUMENTS

D395,835 S * 7/1998 Okuyama D10/78
D483,277 S * 12/2003 Chen D10/46
7,270,006 B2 * 9/2007 Sper G01H 3/10
73/645
8,285,520 B2 * 10/2012 Desmet G01H 1/00
702/189
8,495,914 B2 * 7/2013 Izikoff G01H 3/00
73/40.5 A
D700,532 S * 3/2014 Imada D10/83

(Continued)

Primary Examiner — Antoine D Davis

(74) *Attorney, Agent, or Firm* — Seed IP Law Group LLP

(57) **CLAIM**

The ornamental design for a vibration meter, as shown and described.

DESCRIPTION

The patent or application file contains at least one drawing executed in color. Copies of this patent or patent application publication with color drawings will be provided by the Office upon request and payment of the necessary fee.

FIG. 1 is a bottom, front right perspective view of a vibration meter showing my new design.

FIG. 2 is a top, rear right perspective view thereof.

FIG. 3 is a front elevational view thereof.

FIG. 4 is a rear elevational view thereof.

FIG. 5 is a left side elevational view thereof.

FIG. 6 is a right side elevational view thereof.

FIG. 7 is a top plan view thereof.

FIG. 8 is a bottom plan view thereof.

FIG. 9 is a bottom, front right perspective view of a vibration meter showing my new design including portions shown in color.

FIG. 10 is a top, rear right perspective view thereof.

FIG. 11 is a front elevational view thereof.

FIG. 12 is a rear elevational view thereof.

FIG. 13 is a left side elevational view thereof.

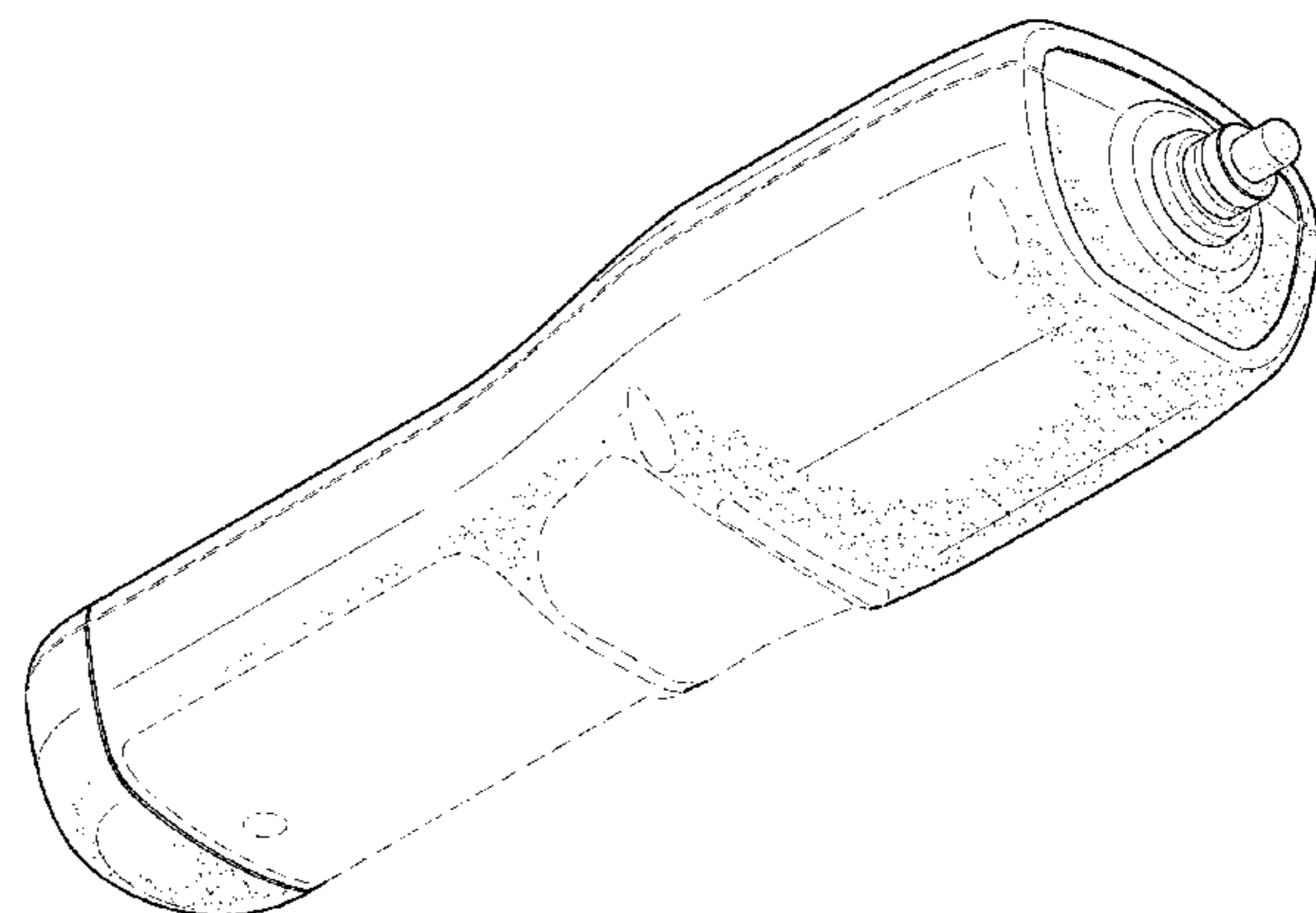
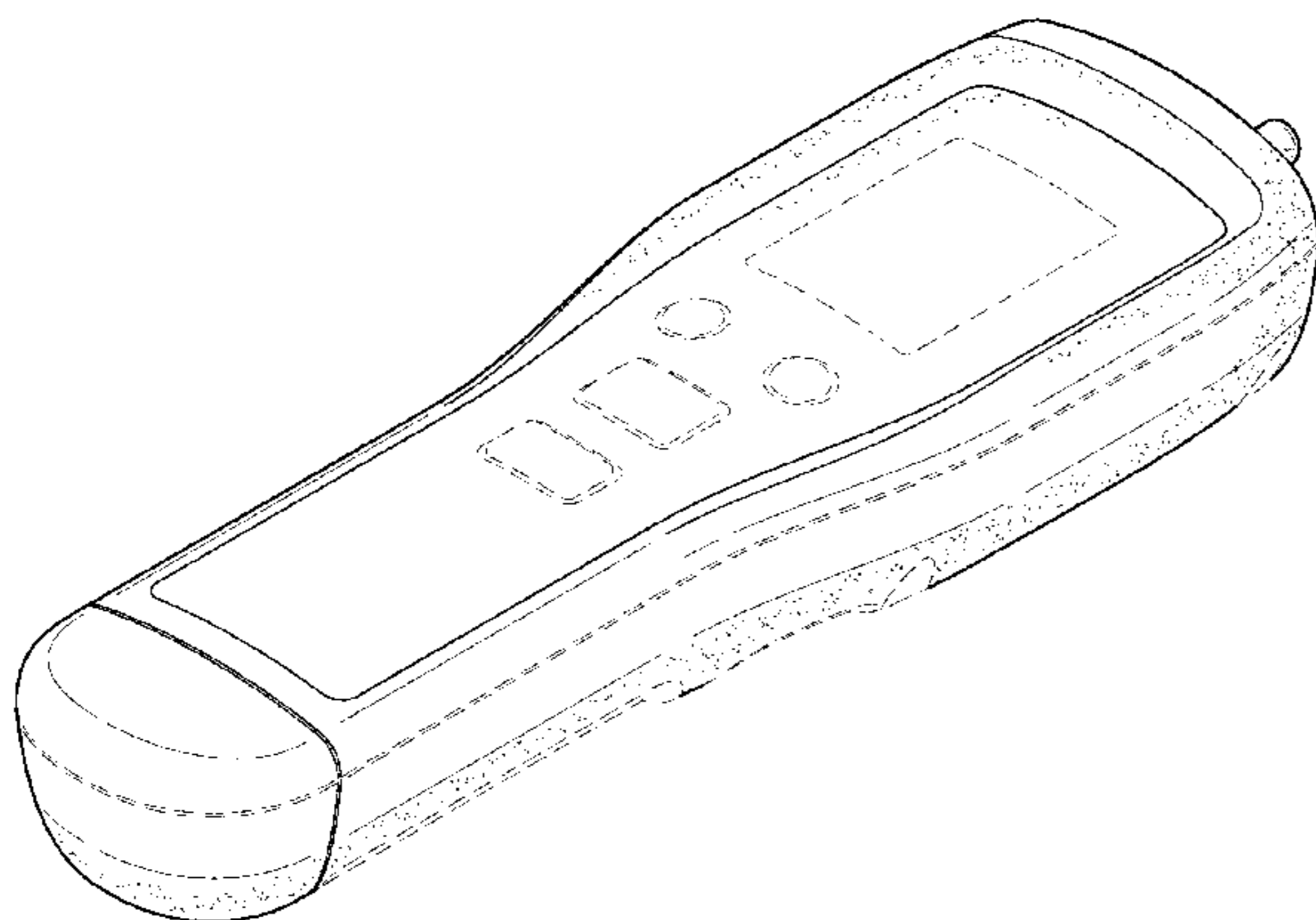
FIG. 14 is a right side elevational view thereof.

FIG. 15 is a top plan view thereof; and,

FIG. 16 is a bottom plan view thereof.

The broken lines immediately adjacent the colored areas represent the bounds of the claimed design. All other broken lines within the bounds illustrate environment. The broken lines form no part of the claimed design, and no claim is made regarding color within the broken lines immediately adjacent the colored areas.

1 Claim, 12 Drawing Sheets
(6 of 12 Drawing Sheet(s) Filed in Color)



(56)

References Cited

U.S. PATENT DOCUMENTS

D710,224	S	*	8/2014	Imada	D10/83
D741,208	S	*	10/2015	Hansen	D10/78
D741,733	S	*	10/2015	Chen	D10/46
9,182,300	B2	*	11/2015	Themm	G01L 1/103
9,341,603	B1	*	5/2016	Jenkins	G01N 29/36

* cited by examiner

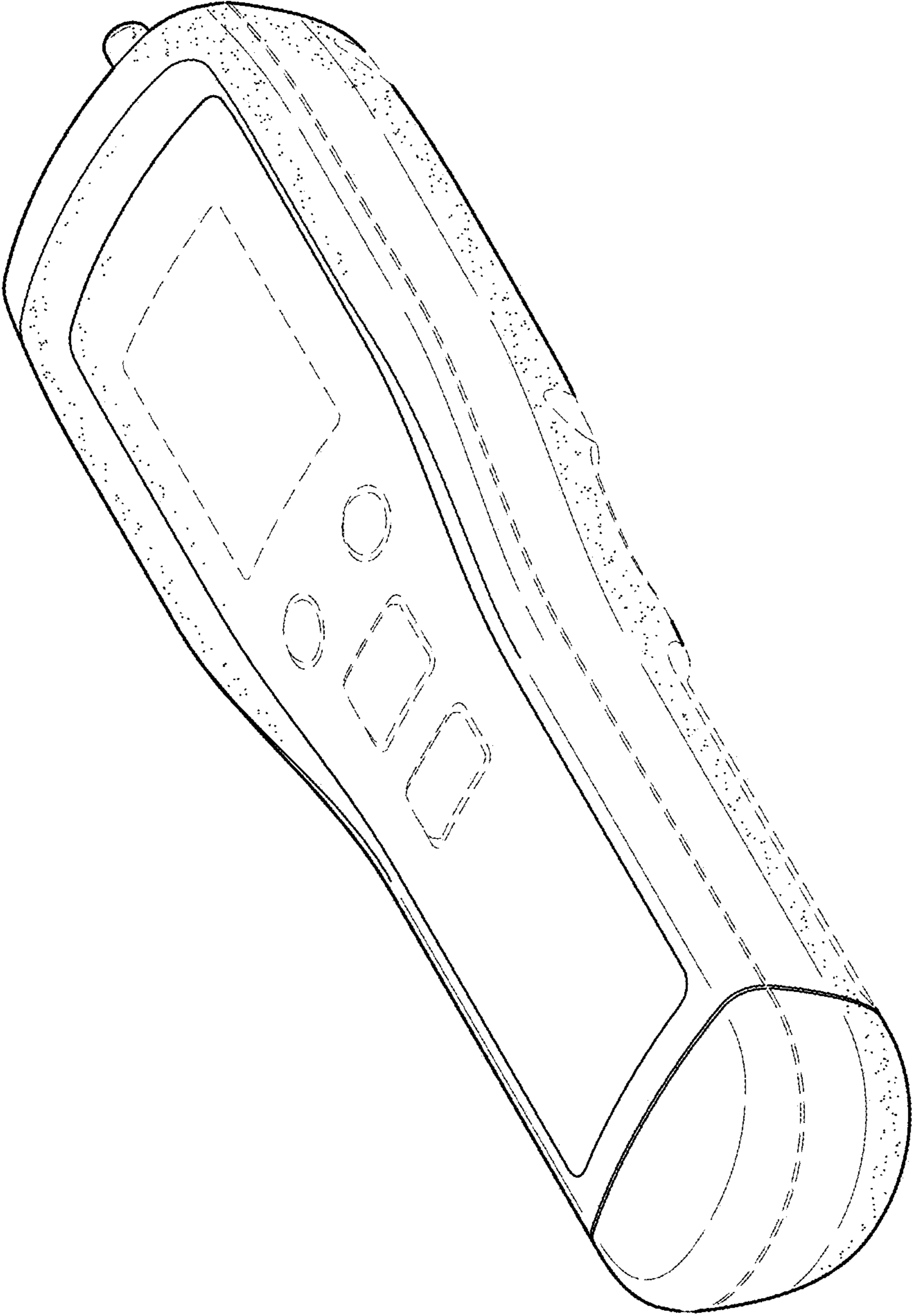


FIG.1

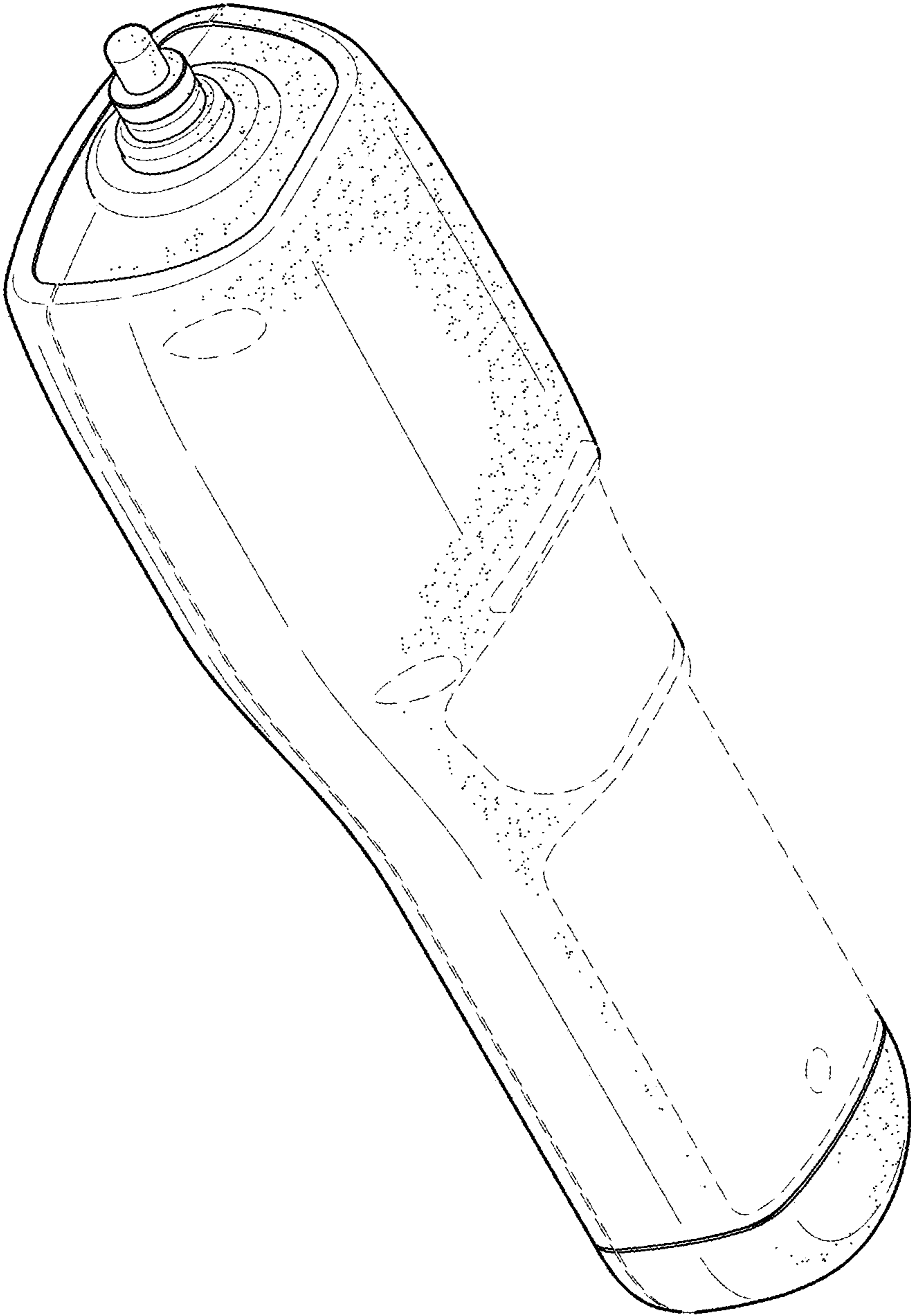


FIG.2

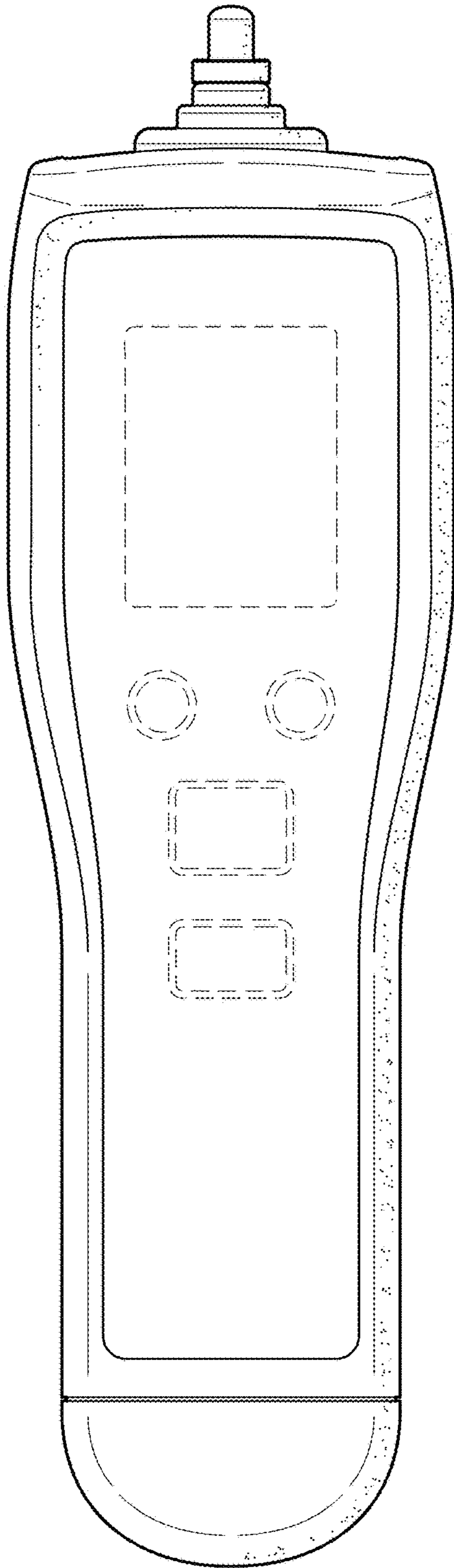


FIG.3

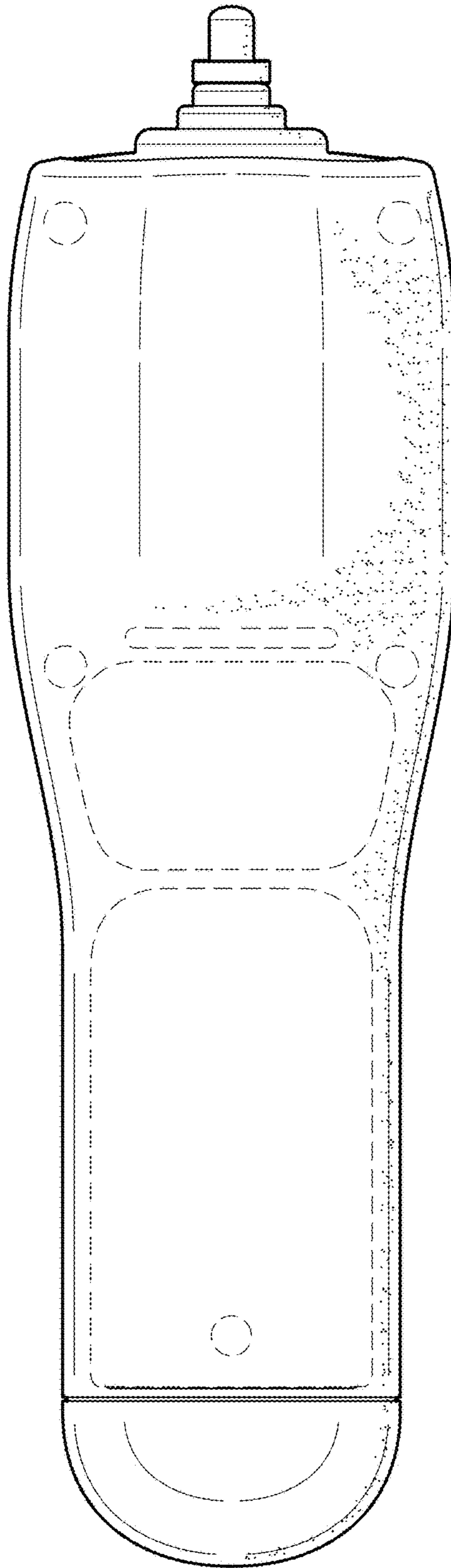


FIG.4

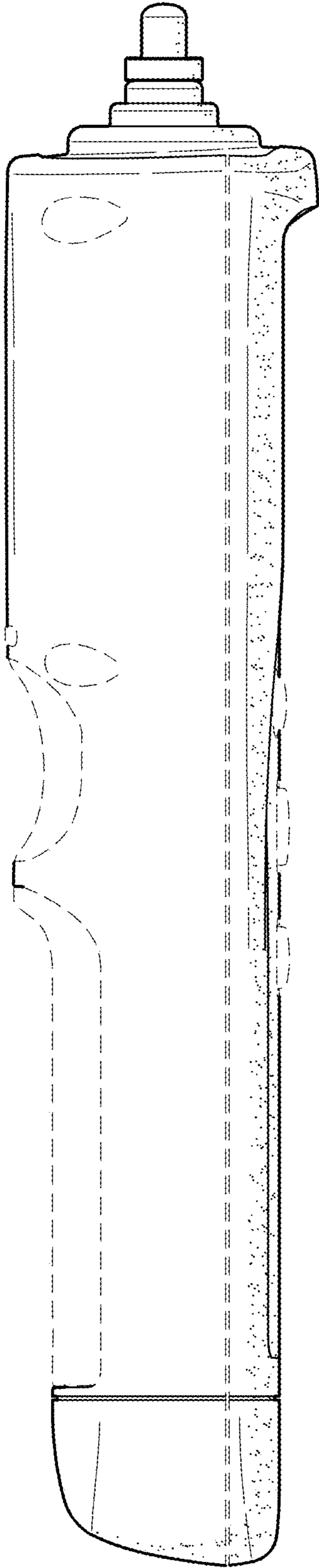


FIG.5

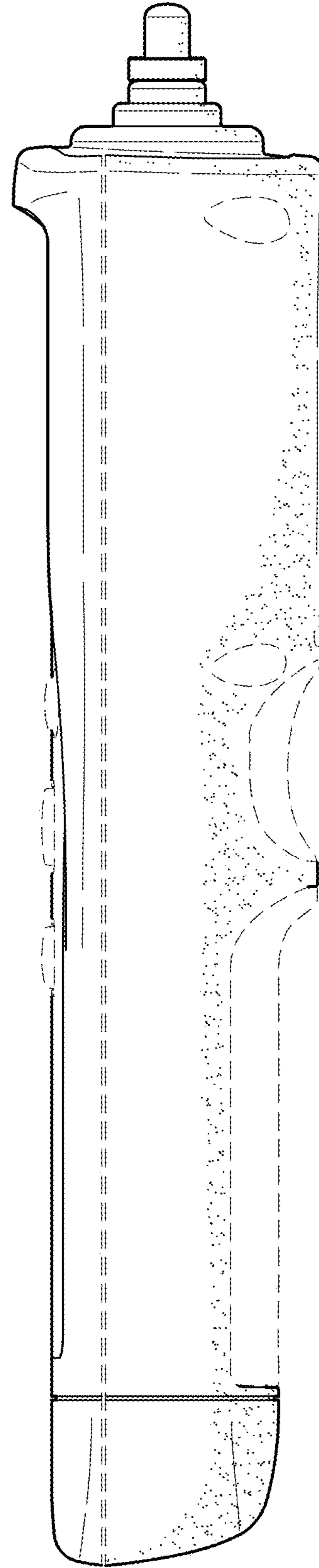


FIG.6

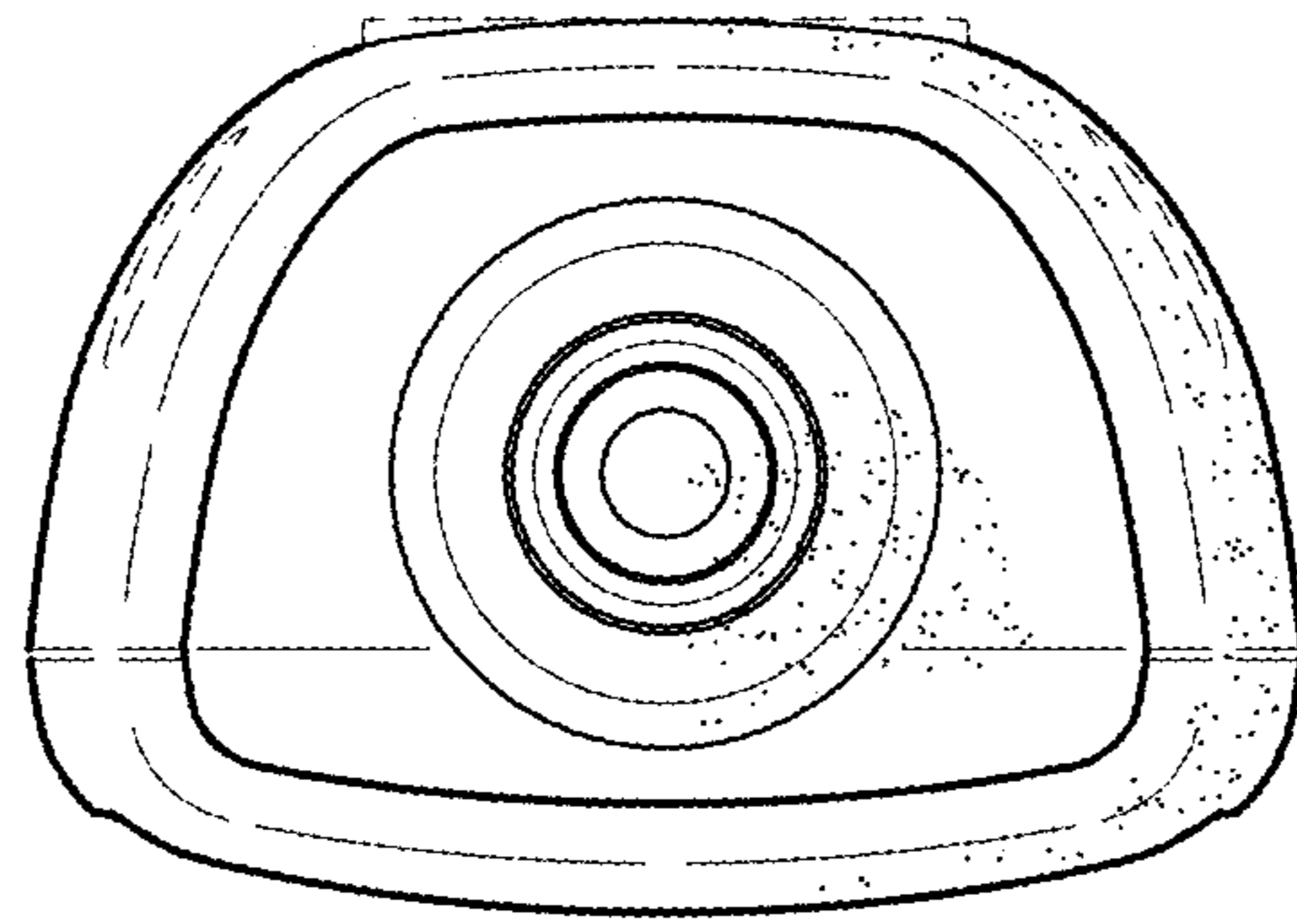


FIG. 7

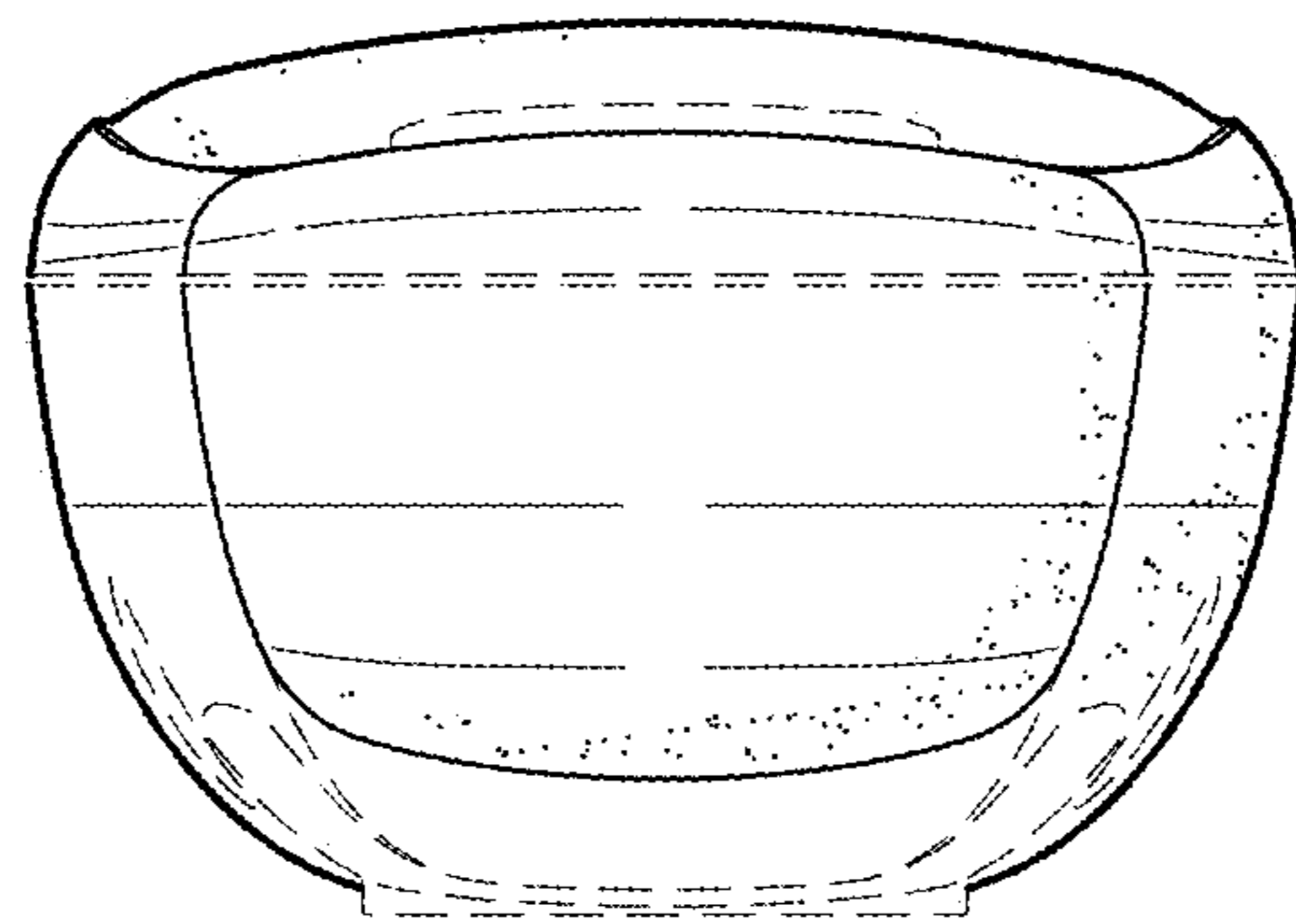


FIG. 8

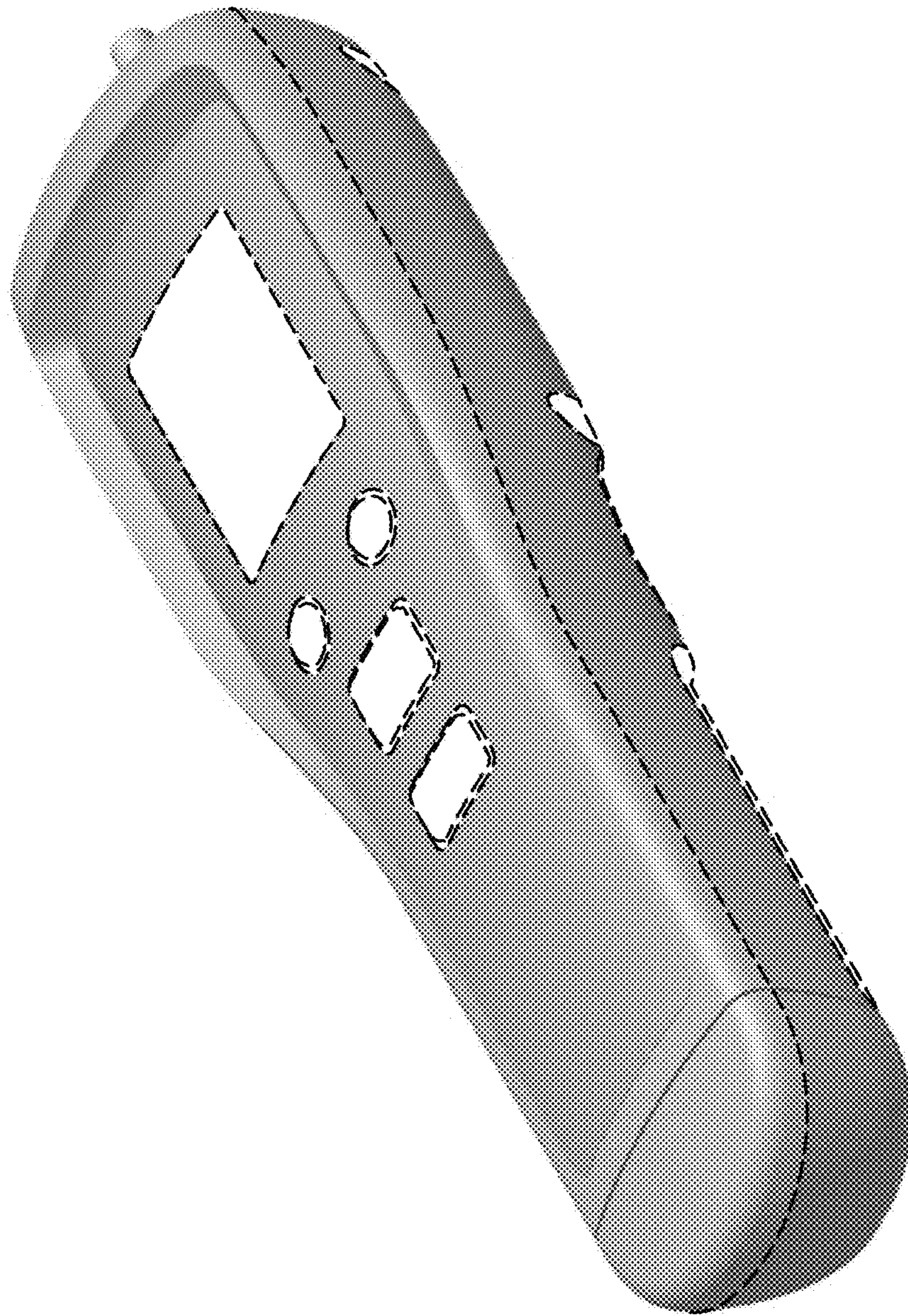


FIG.9

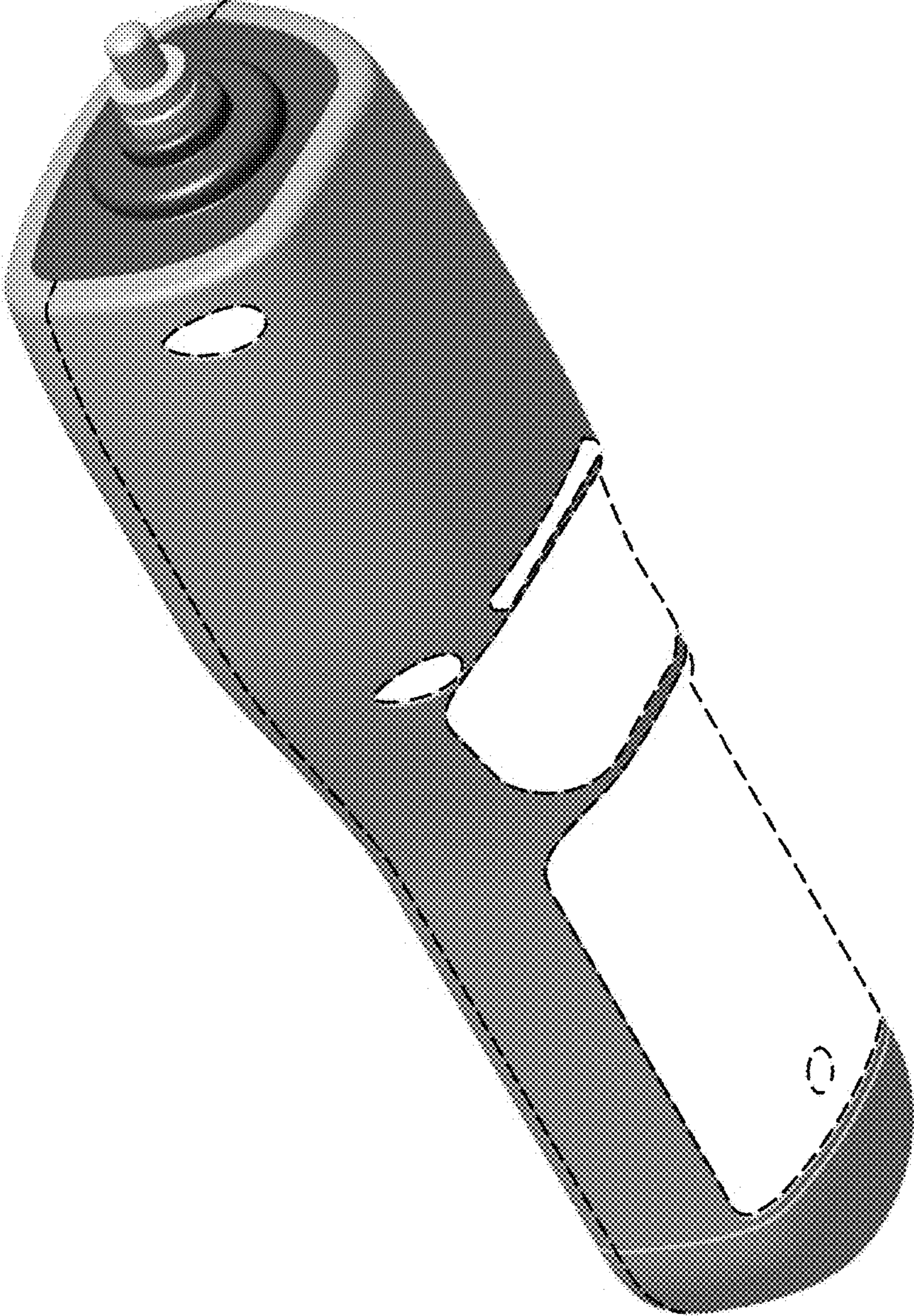


FIG.10

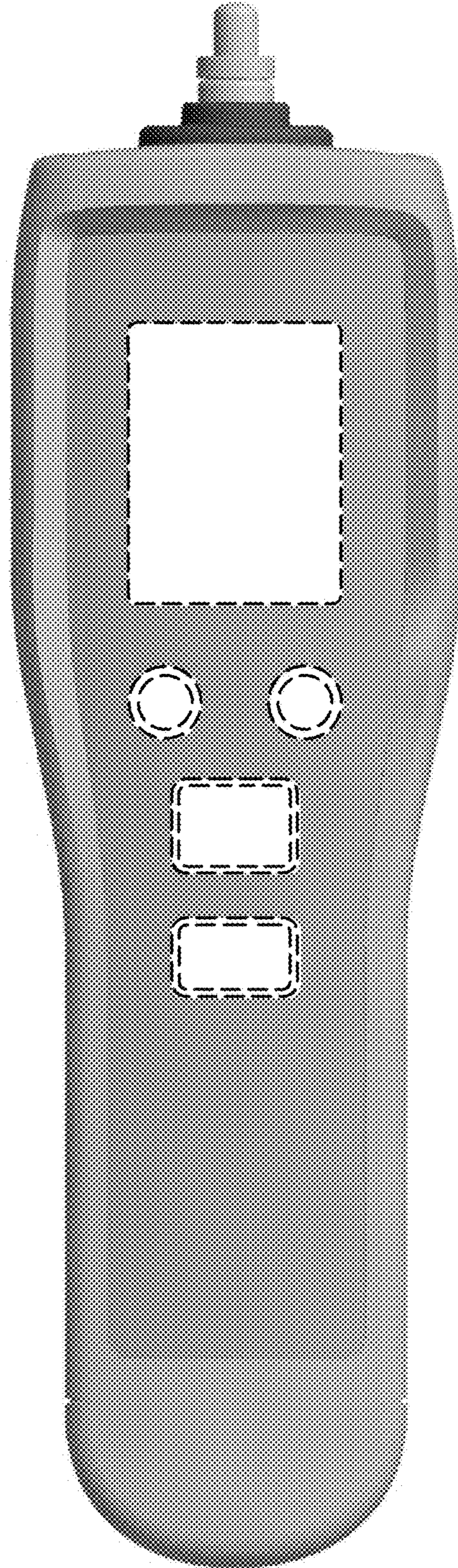


FIG.11

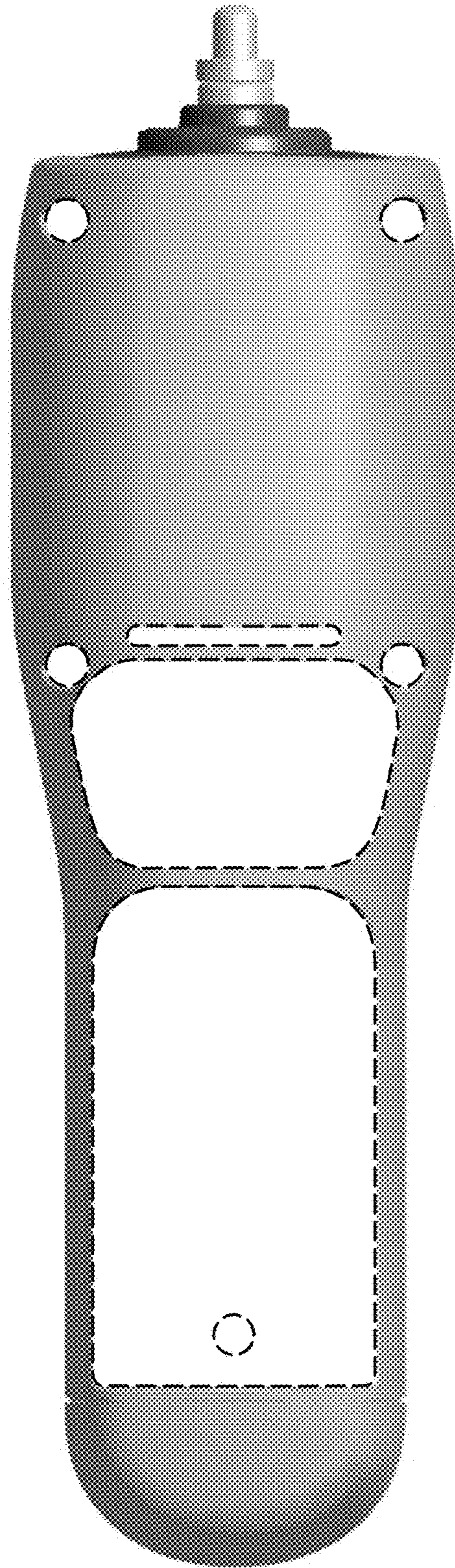


FIG.12

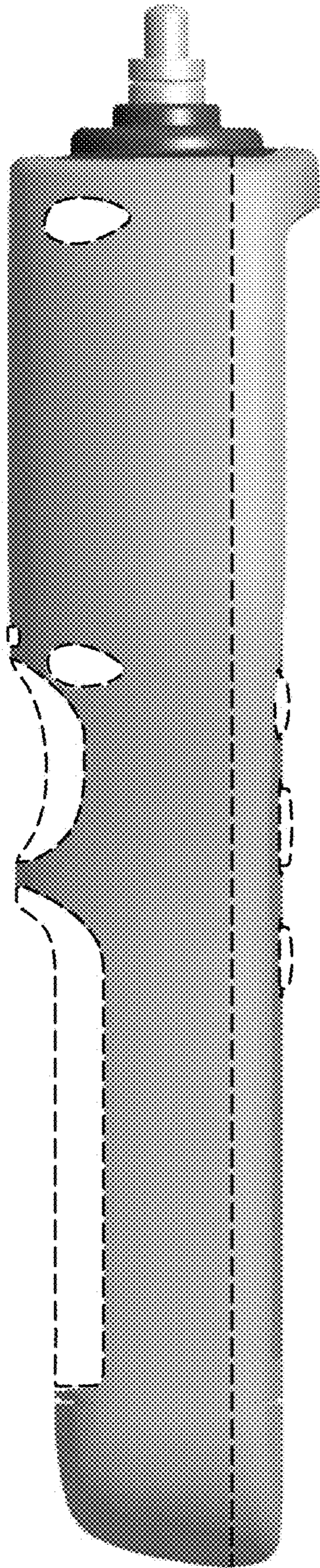


FIG. 13

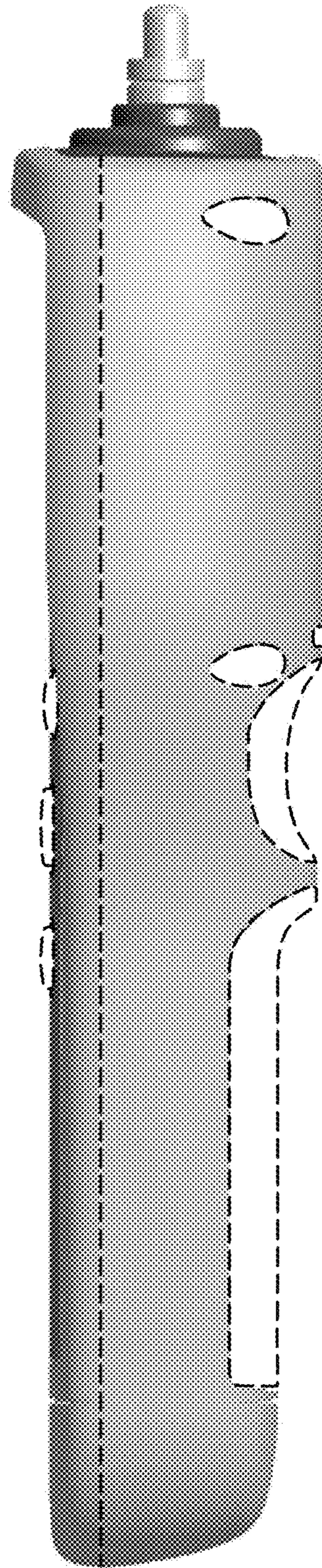


FIG. 14

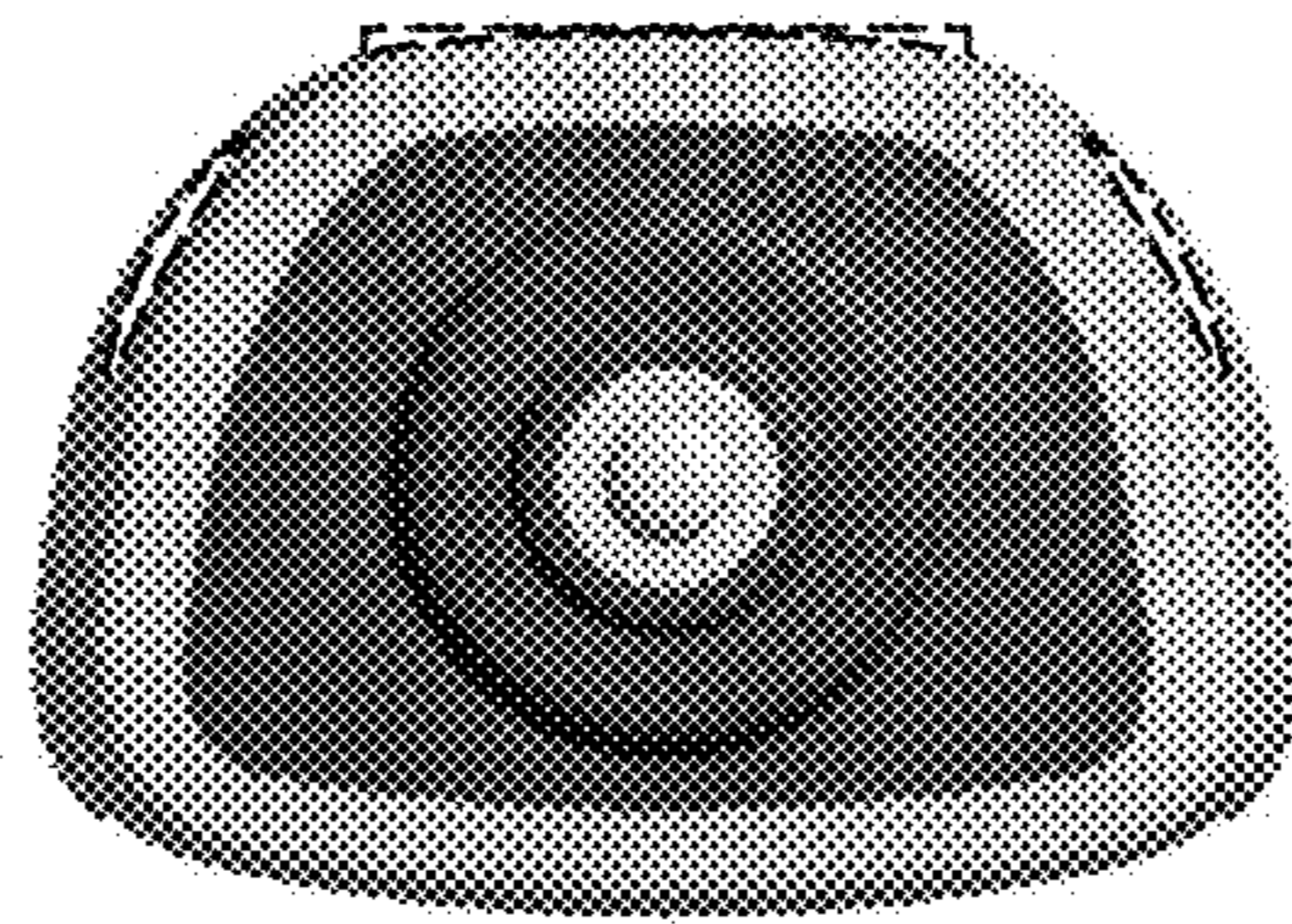


FIG.15

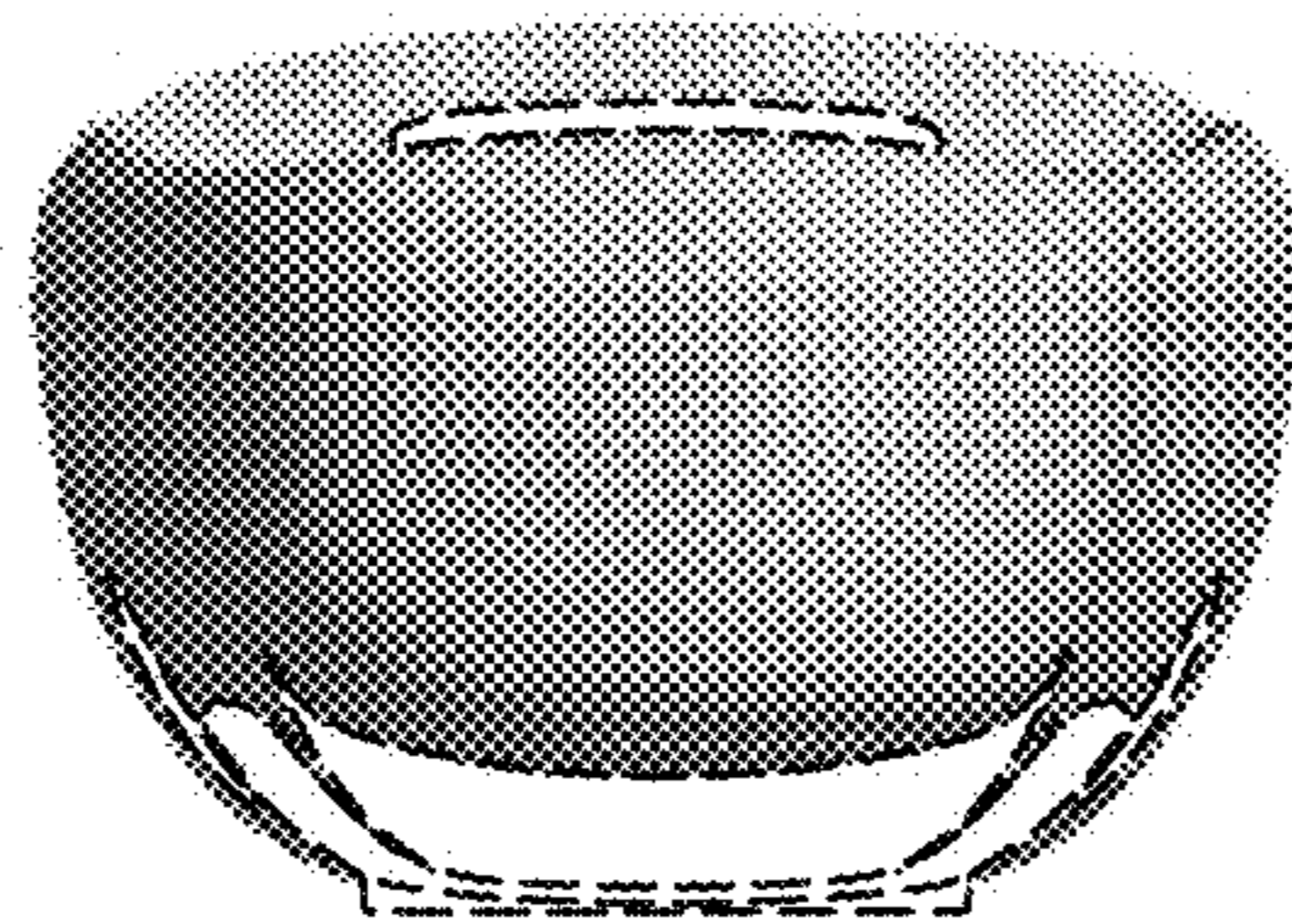


FIG.16