



US00D789816S

(12) **United States Design Patent**
Knight

(10) **Patent No.:** **US D789,816 S**
(45) **Date of Patent:** **** Jun. 20, 2017**

- (54) **METAL HARDNESS TEST BLOCK WITH ALPHANUMERIC GRID AND CIRCULAR TARGETS WITH CROSS HAIRS**
- (71) Applicant: **William O. Knight**, Malvern, PA (US)
- (72) Inventor: **William O. Knight**, Malvern, PA (US)
- (73) Assignee: **King Tester Corporation**, Phoenixville, PA (US)
- (**) Term: **15 Years**

D611,855 S *	3/2010	Minagawa	D10/85
D689,388 S *	9/2013	Berme	D10/83
D689,389 S *	9/2013	Berme	D10/83
D722,900 S *	2/2015	Biddle	D10/103
2008/0072656 A1 *	3/2008	Conner	G01N 3/48 73/32 R
2011/0136239 A1 *	6/2011	Hehn	G01N 3/20 436/6

* cited by examiner

Primary Examiner — Antoine D Davis

(74) *Attorney, Agent, or Firm* — Fox Rothschild LLP

- (21) Appl. No.: **29/549,373**
- (22) Filed: **Dec. 22, 2015**
- (51) **LOC (10) Cl.** **10-04**
- (52) **U.S. Cl.**
USPC **D10/83; D10/103**
- (58) **Field of Classification Search**
USPC D10/81, 83, 103
CPC .. G01N 3/40; G01N 3/42; G01N 3/20; G01N
2203/0098; G01N 2203/0078; G01N
2203/0076; G01N 2203/008; G01N
2203/0082; G01N 2203/0083; G01N
2203/0085; G01N 2203/0087; G01N
2203/0089; G01N 2203/0026; G01N
2203/0262
See application file for complete search history.

(57) **CLAIM**

I claim the ornamental design for a metal hardness test block with alphanumeric grid and circular targets with cross hairs, as shown in the accompanying drawings.

DESCRIPTION

FIG. 1 is an isometric view showing the top, right side, and front of the metal hardness test block with alphanumeric grid and circular targets with cross hairs.

FIG. 2 is a top plan view of the metal hardness test block with alphanumeric grid and circular targets with cross hairs.

FIG. 3 is a bottom view of the metal hardness test block with alphanumeric grid and circular targets with cross hairs.

FIG. 4 is a left end view of the metal hardness test block with alphanumeric grid and circular targets with cross hairs.

FIG. 5 is a right end view of the metal hardness test block with alphanumeric grid and circular targets with cross hairs.

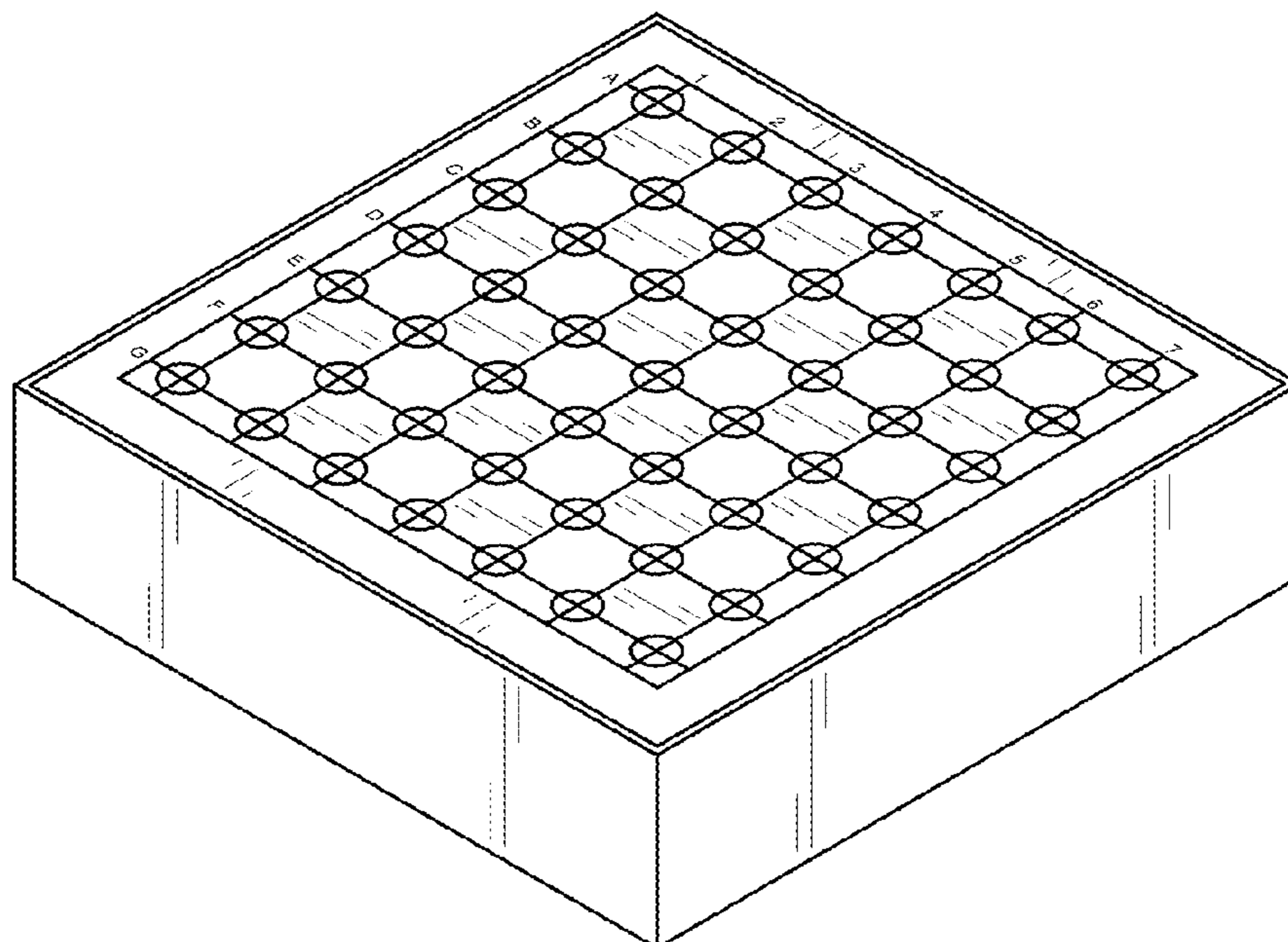
FIG. 6 is a front view of metal hardness test block with alphanumeric grid and circular targets with cross hairs; and, FIG. 7 is a rear view of the metal hardness test block with alphanumeric grid and circular targets with cross hairs.

(56) **References Cited**

U.S. PATENT DOCUMENTS

D304,427 S *	11/1989	Biddle	D10/83
5,505,094 A *	4/1996	Parsons	E05B 19/00 73/788

1 Claim, 4 Drawing Sheets



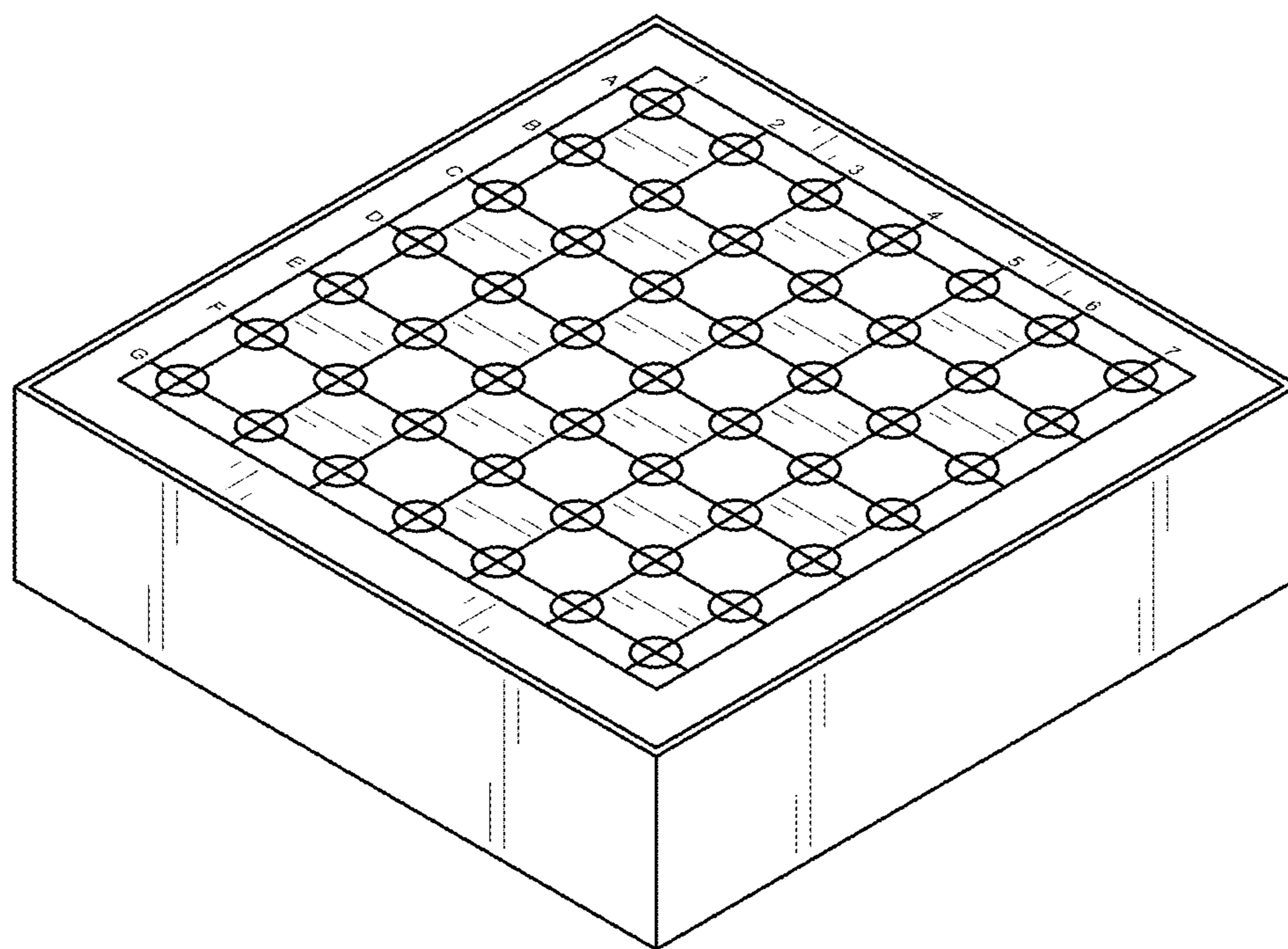


FIG. 1

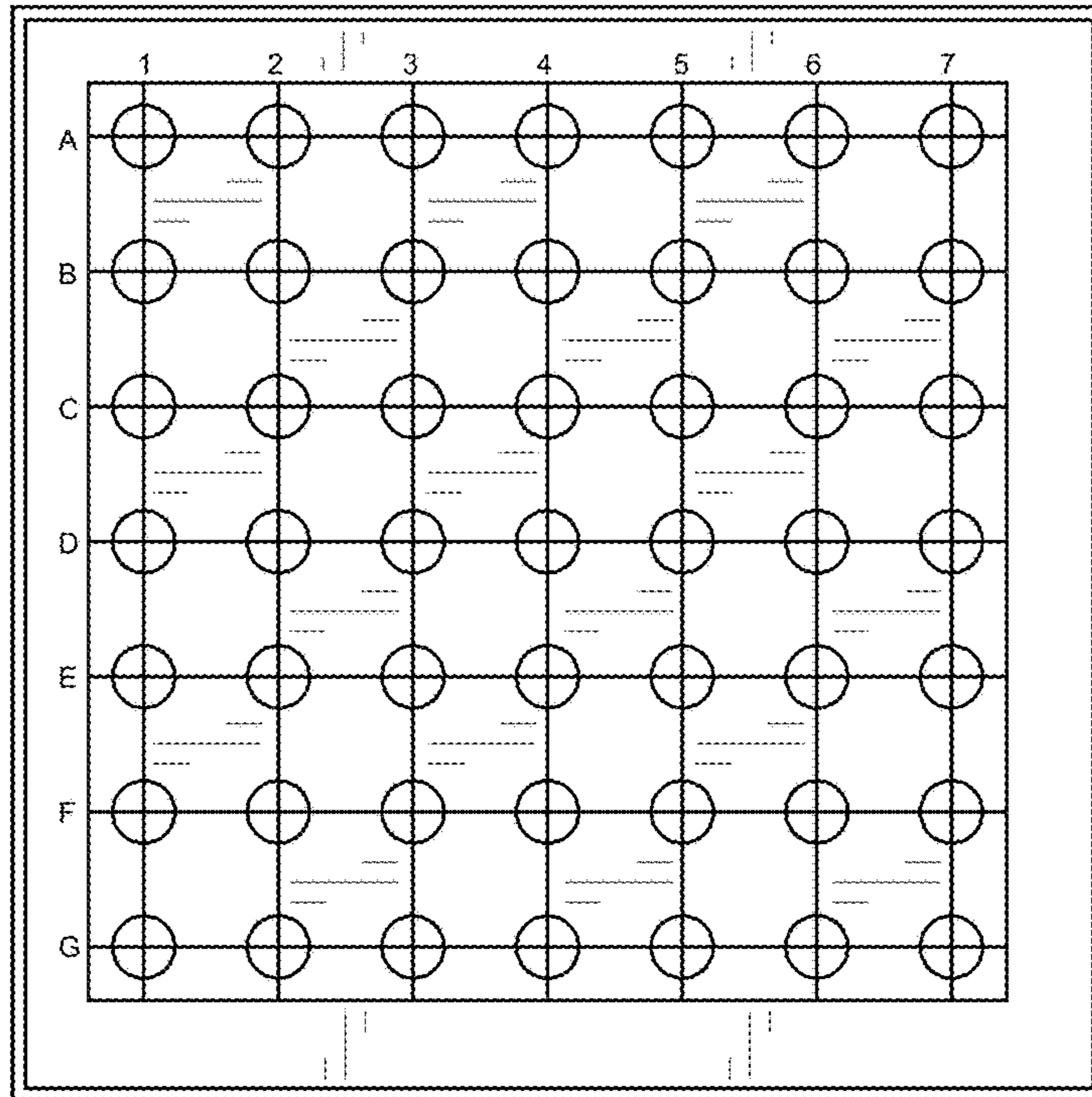


FIG. 2

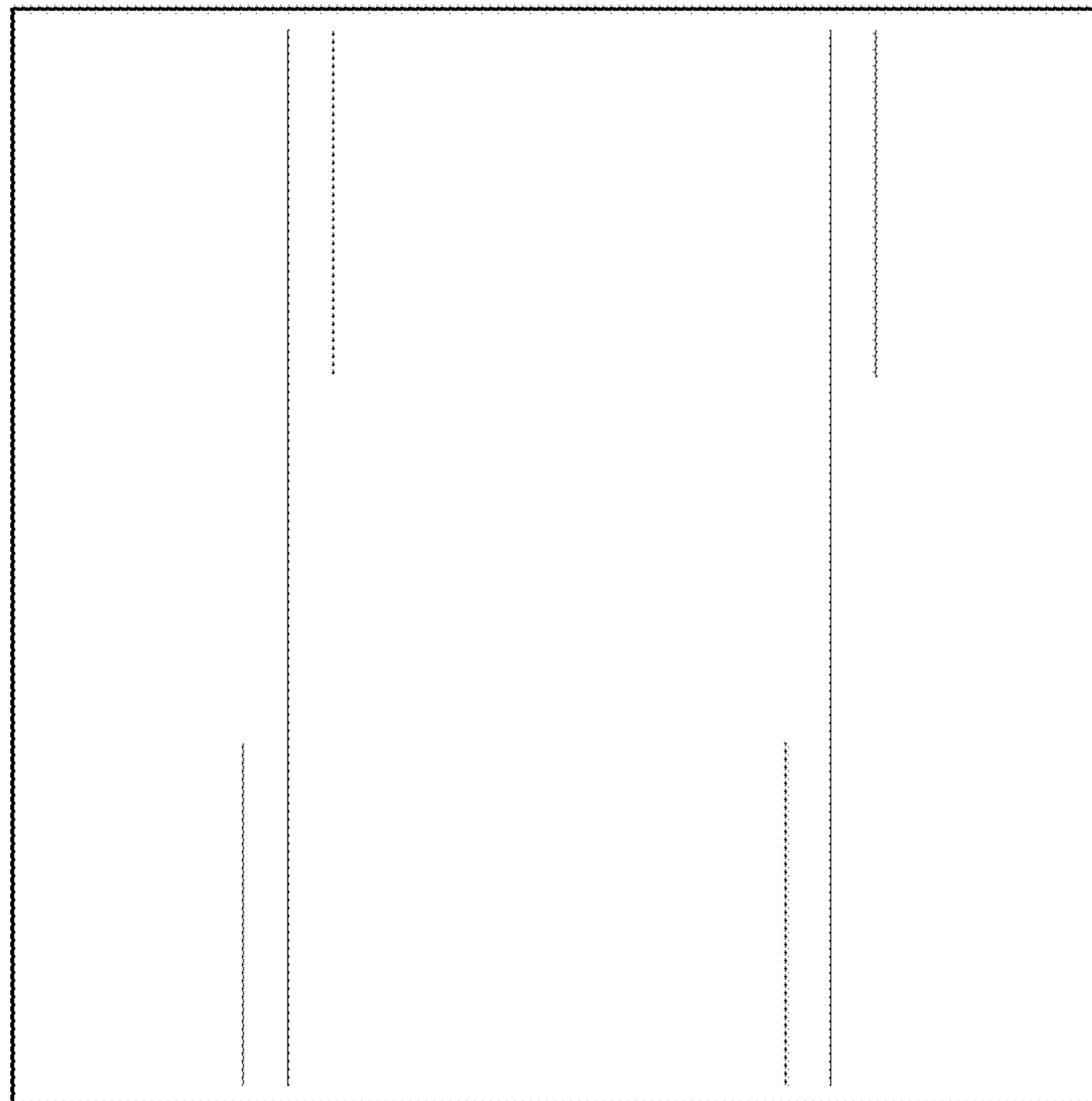


FIG. 3

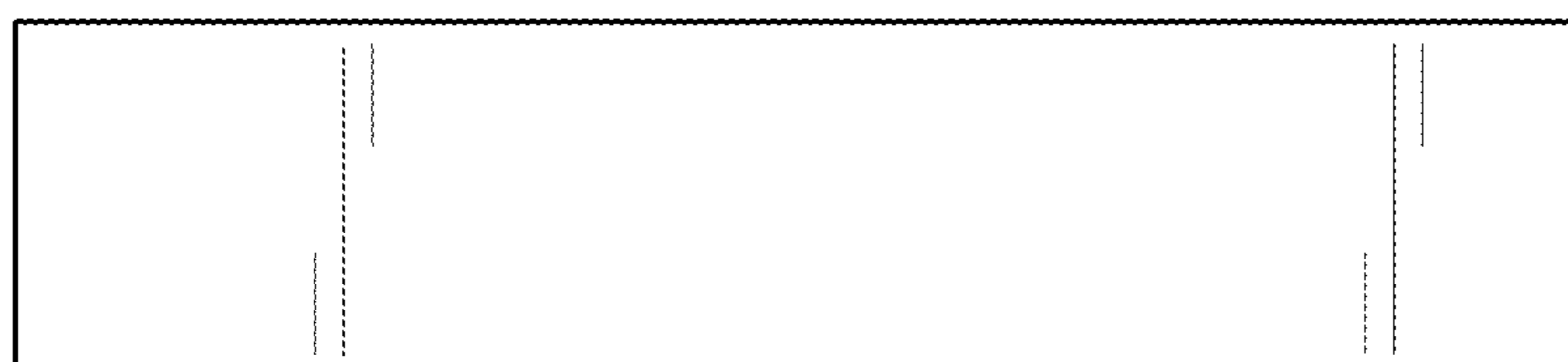


FIG. 4

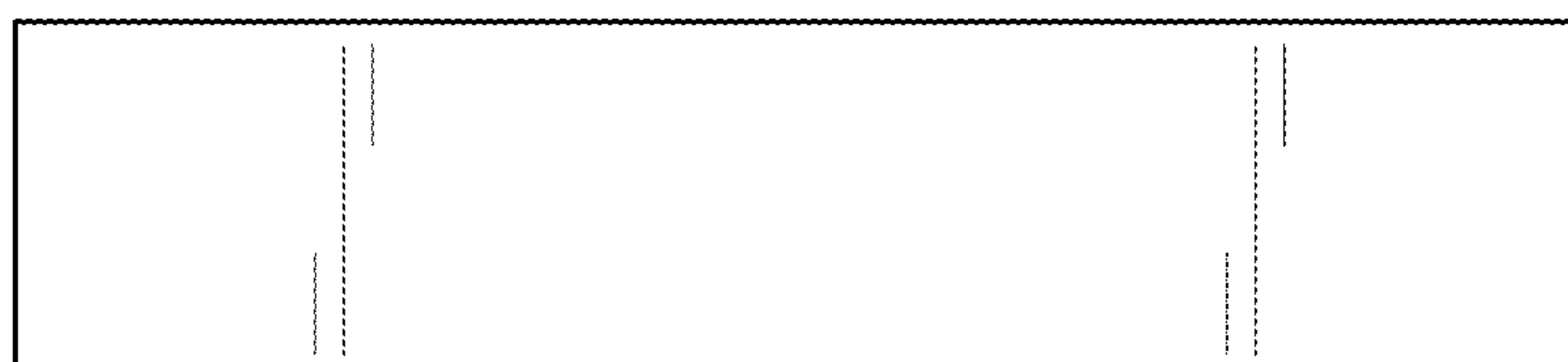


FIG. 5

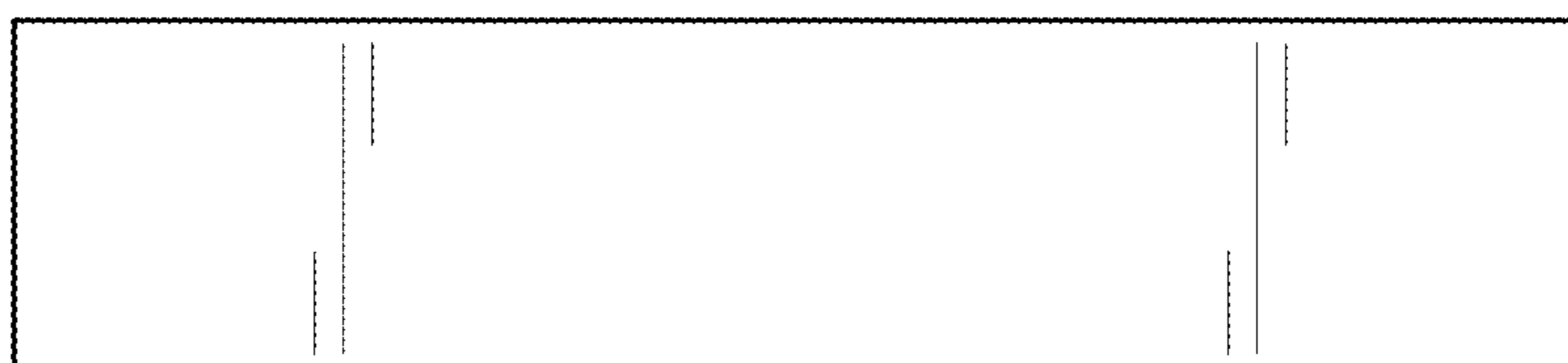


FIG. 6

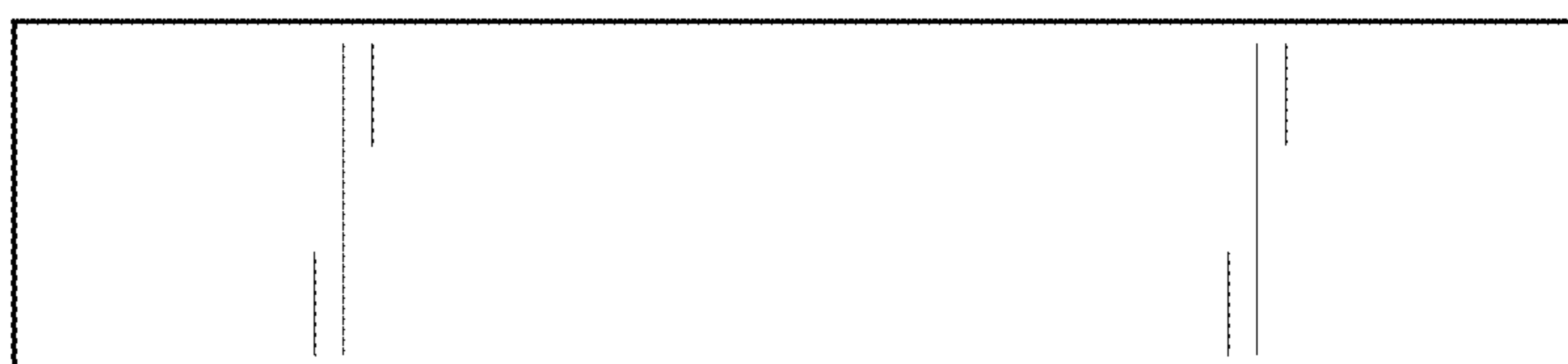


FIG. 7