



US00D789813S

(12) **United States Design Patent**  
**Gathman et al.**

(10) **Patent No.:** **US D789,813 S**

(45) **Date of Patent:** **\*\* Jun. 20, 2017**

(54) **ELECTRICAL TESTER**

(71) Applicant: **Auto Meter Products, Inc.**, Sycamore, IL (US)

(72) Inventors: **Michael R. Gathman**, Genoa, IL (US);  
**John C. McMillion**, Oswego, IL (US);  
**Douglas W. Adams**, DeKalb, IL (US)

(73) Assignee: **Auto Meter Products, Inc.**, Sycamore, IL (US)

(\*\*) Term: **15 Years**

(21) Appl. No.: **29/566,622**

(22) Filed: **Jun. 1, 2016**

**Related U.S. Application Data**

(62) Division of application No. 29/507,993, filed on Oct. 31, 2014, now Pat. No. Des. 760,100.

(51) **LOC (10) Cl.** ..... **10-04**

(52) **U.S. Cl.**  
USPC ..... **D10/78**

(58) **Field of Classification Search**  
USPC ..... D10/46, 75, 78, 96  
CPC ..... G01D 5/00; G06F 1/166; G06F 1/1656;  
G06F 1/1626; G06F 1/1609; G06F 1/637;  
G06F 3/03547; G06F 3/04842; G06F  
3/04817; G01M 17/00; G01R 31/007;  
G01R 31/3648; G01R 31/3693; G01R  
31/3627; F17D 1/08; F02P 17/08

See application file for complete search history.

(56) **References Cited**

U.S. PATENT DOCUMENTS

D352,009 S 11/1994 Elkins  
D511,980 S 11/2005 McFarland et al.  
7,899,608 B1 3/2011 Pederson et al.  
9,208,627 B2\* 12/2015 Bertosa ..... G07C 5/0808

\* cited by examiner

*Primary Examiner* — Antoine D Davis

(74) *Attorney, Agent, or Firm* — Fitch, Even, Tabin & Flannery, LLP

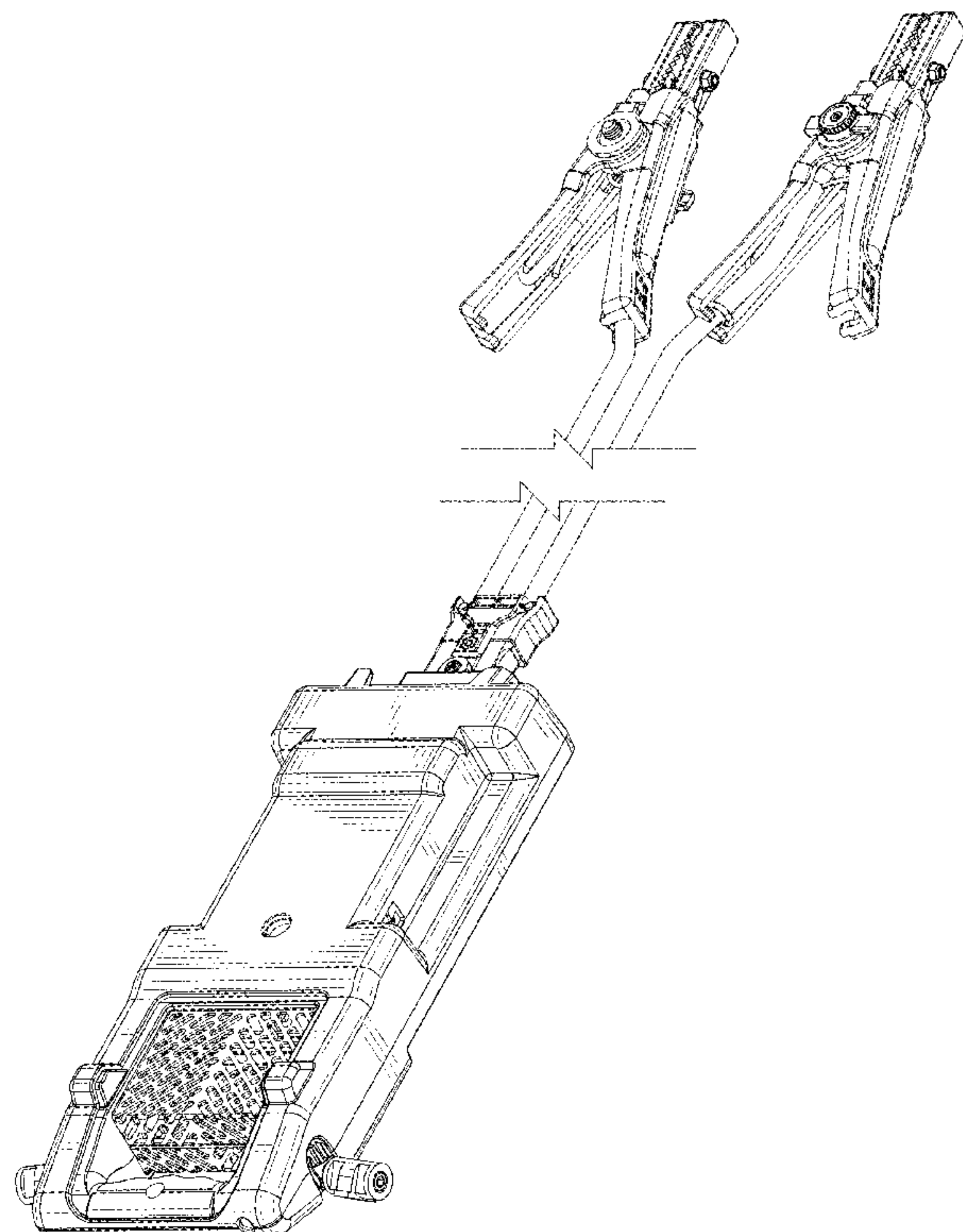
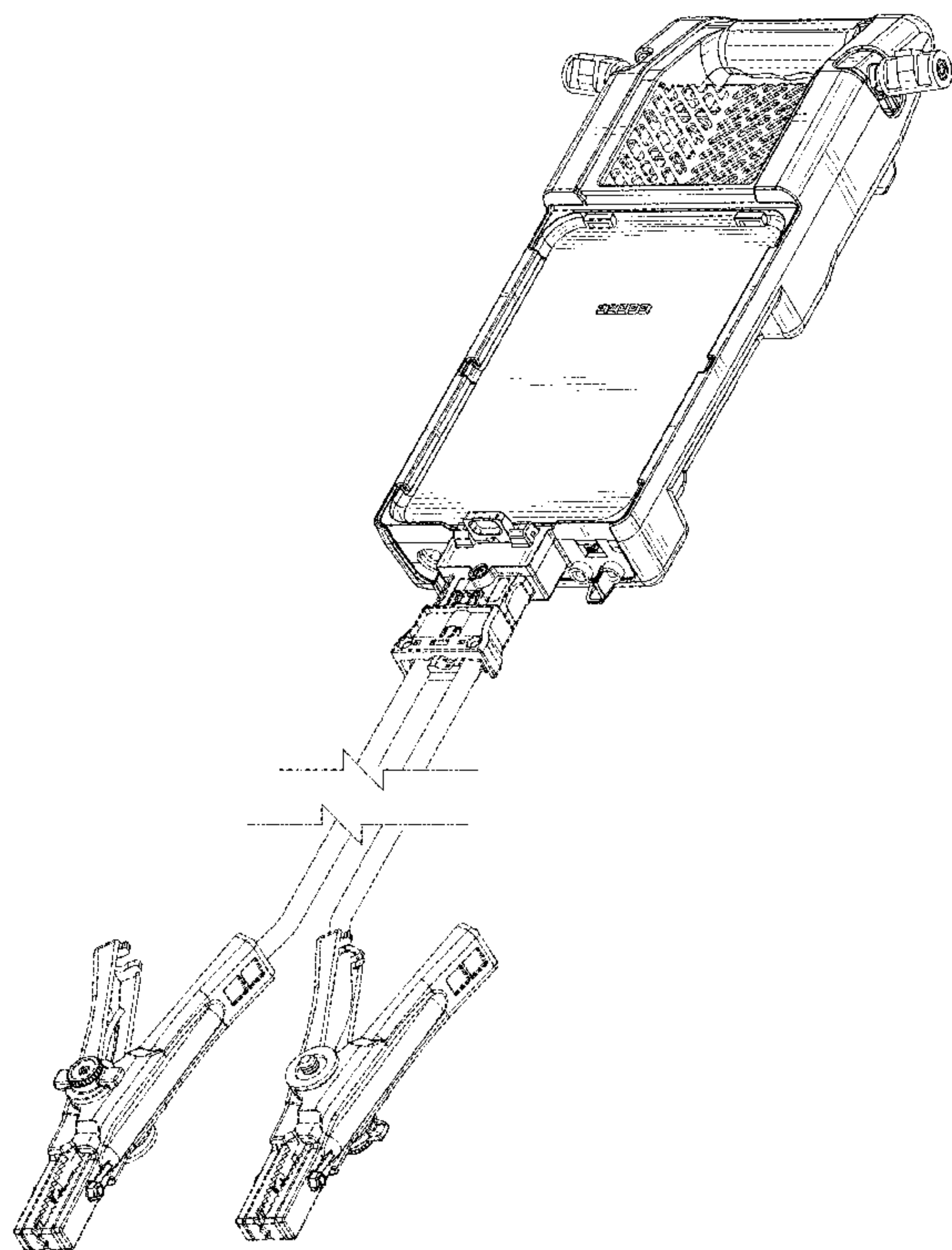
(57) **CLAIM**

We claim the ornamental design for an electrical tester, as shown and described.

**DESCRIPTION**

FIG. 1 is a front perspective view of our new design comprising an electrical tester;  
FIG. 2 is a rear perspective view of the electrical tester of FIG. 1;  
FIG. 3 is a front view of the electrical tester of FIG. 1;  
FIG. 4 is a rear view of the electrical tester of FIG. 1;  
FIG. 5 is a left side view of the electrical tester of FIG. 1;  
FIG. 6 is a right side view of the electrical tester of FIG. 1;  
FIG. 7 is a top view of the electrical tester of FIG. 1; and,  
FIG. 8 is a bottom view of the electrical tester of FIG. 1.  
The broken lines shown in the drawings are for illustrative purposes only and form no part of the claimed design.

**1 Claim, 6 Drawing Sheets**



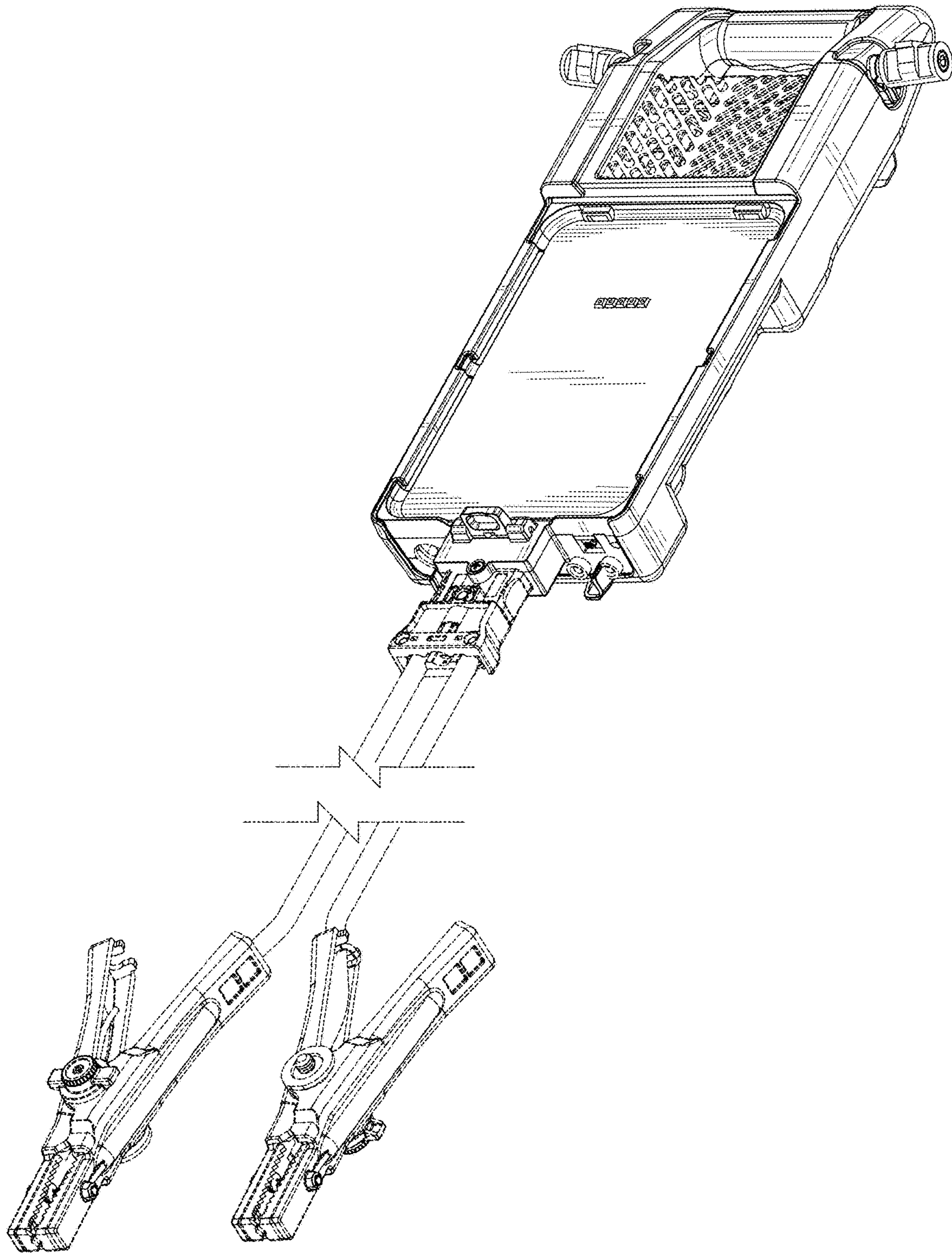


FIG. 1



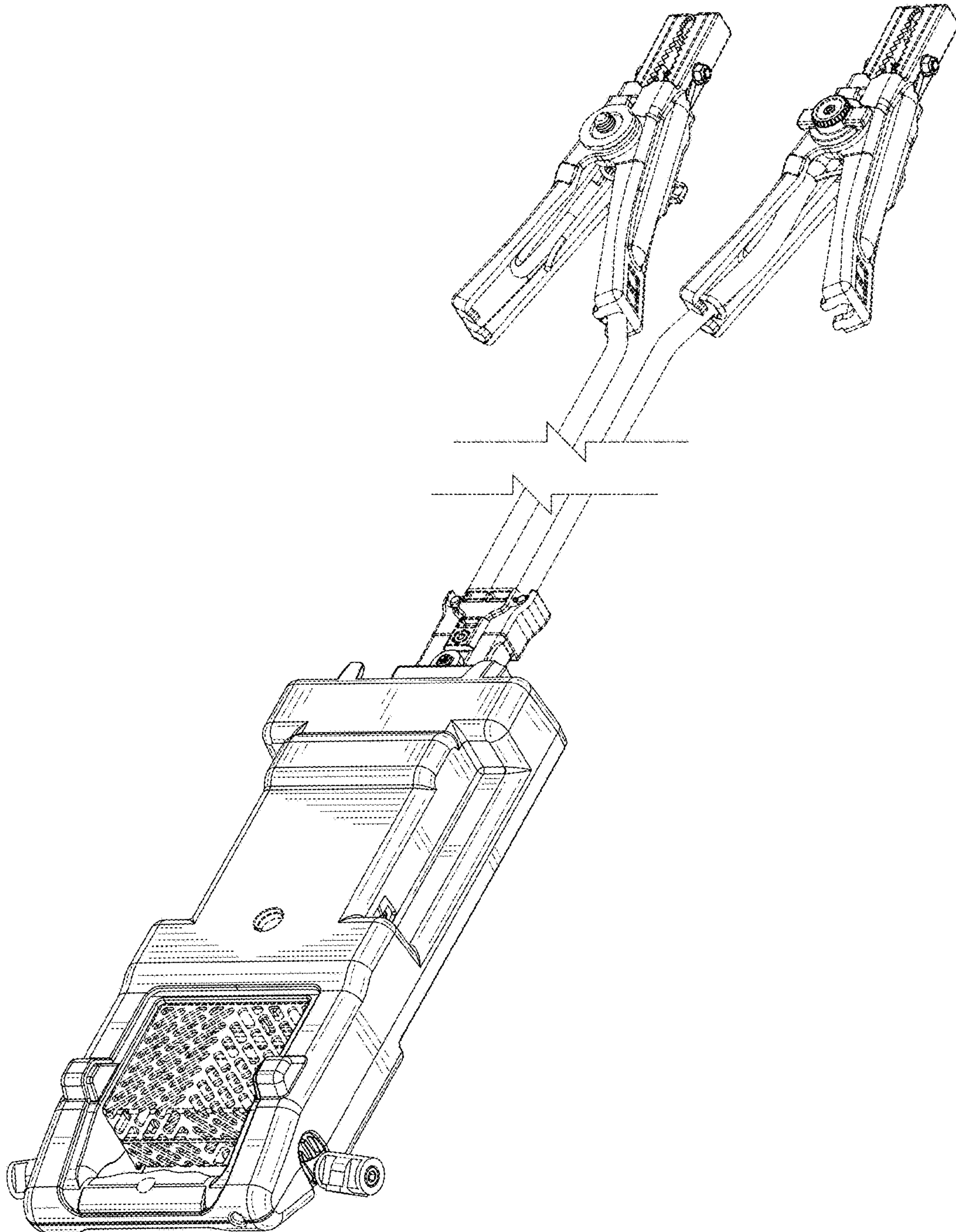


FIG. 2

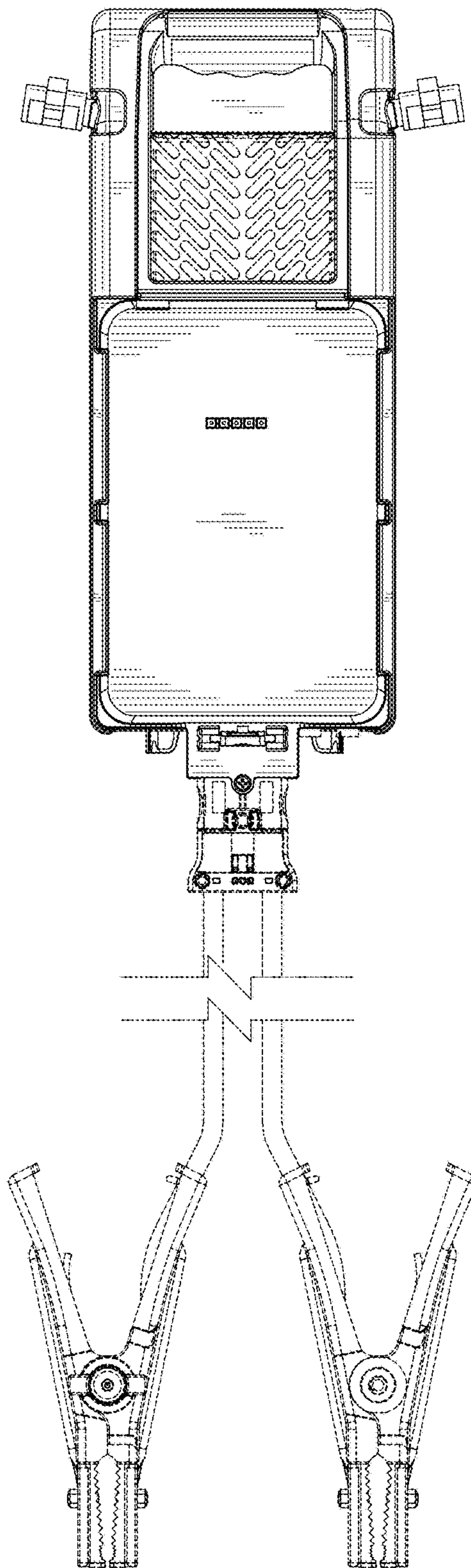


FIG. 3

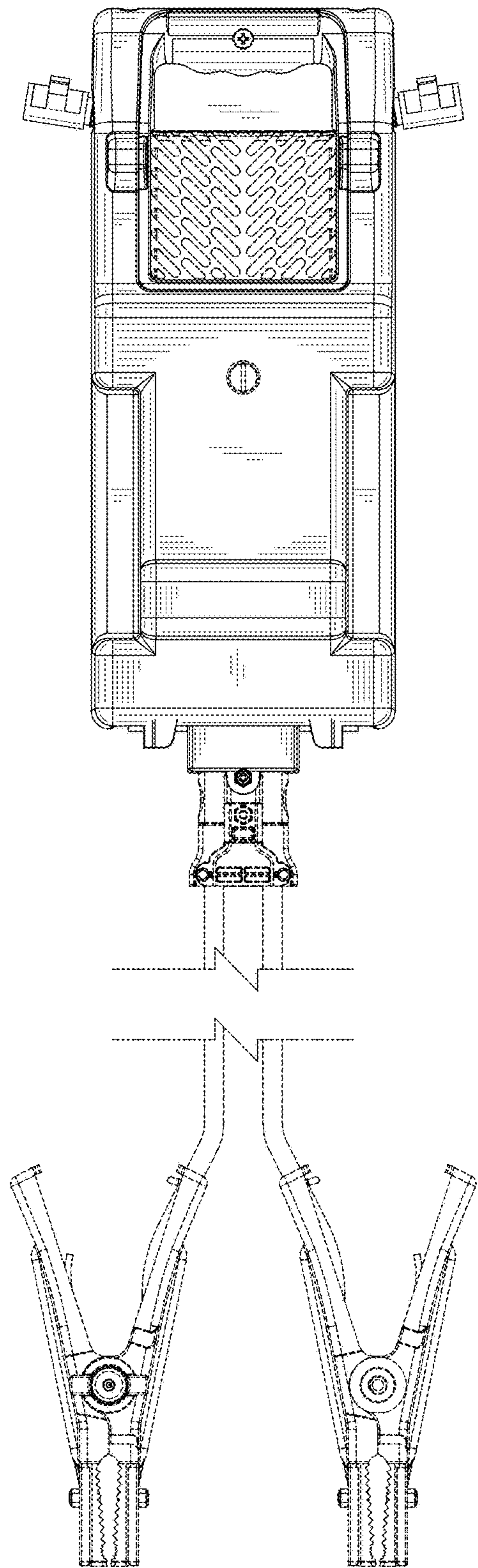


FIG. 4

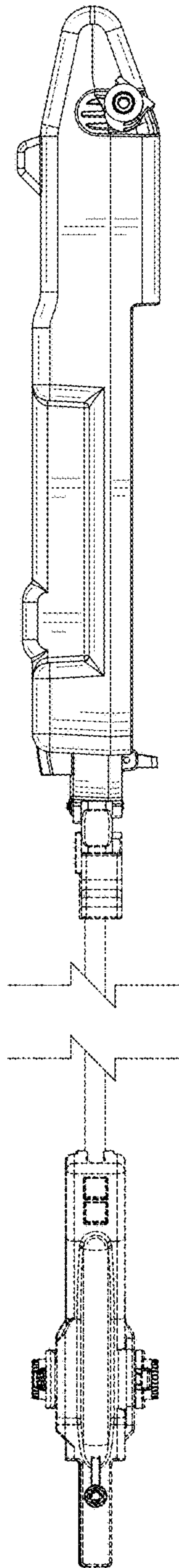


FIG. 5

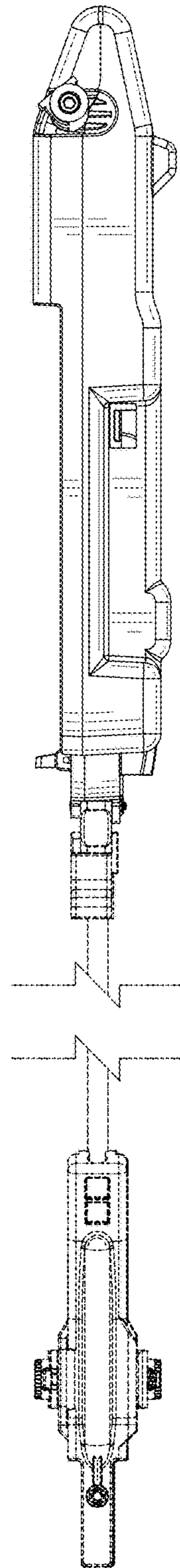


FIG. 6



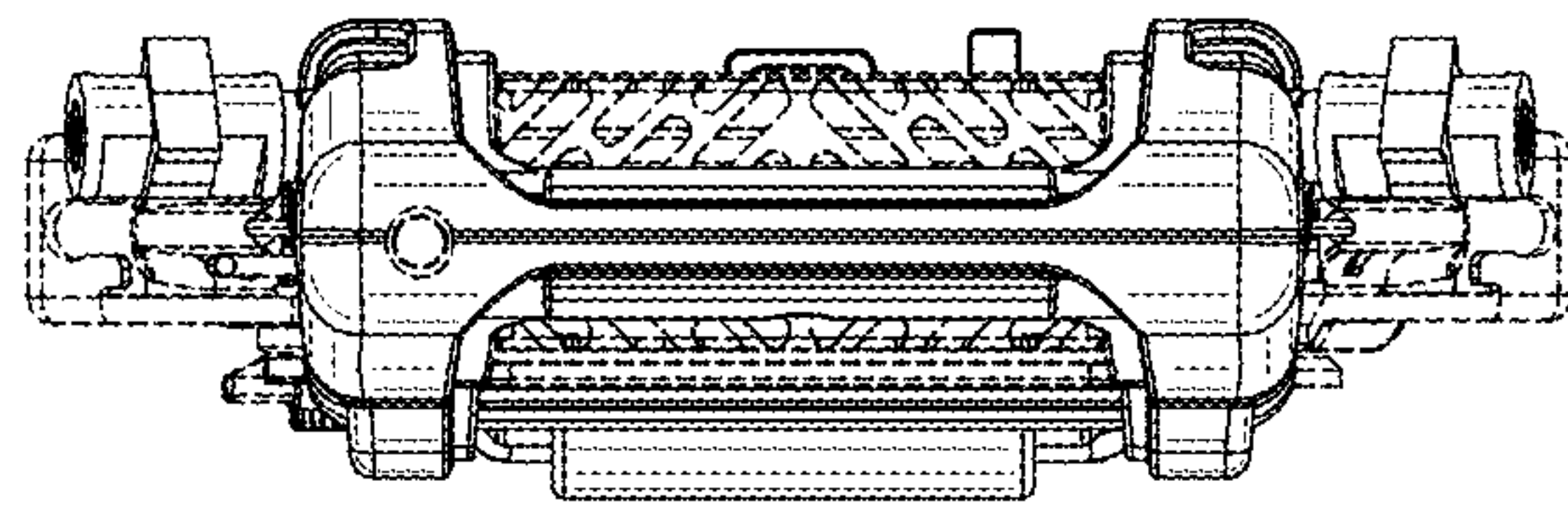


FIG. 7

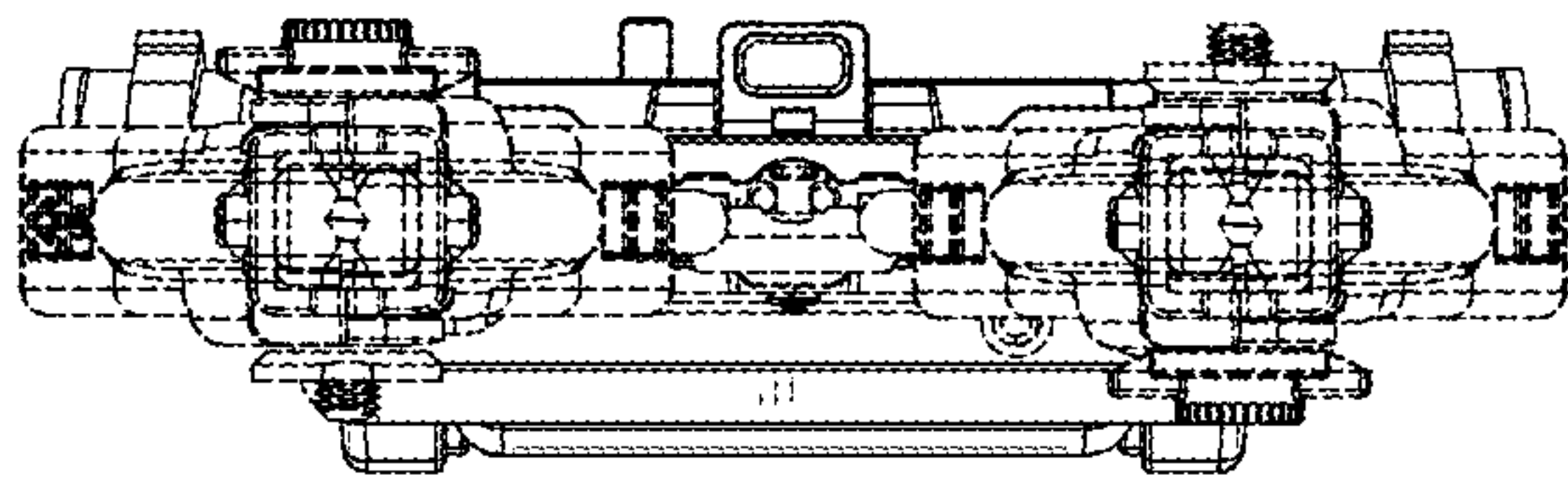


FIG. 8