



US00D789811S

(12) **United States Design Patent**
Lenz et al.

(10) **Patent No.:** **US D789,811 S**
(45) **Date of Patent:** **** Jun. 20, 2017**

(54) **NAVIGATION DEVICE**

- (71) Applicant: **Garmin Switzerland GmbH**,
Schaffhausen (CH)
- (72) Inventors: **Derrick D. Lenz**, Olathe, KS (US);
Brett J. Kuper, Spring Hill, KS (US)
- (73) Assignee: **Garmin Switzerland GmbH** (CH)
- (**) Term: **15 Years**

(21) Appl. No.: **29/549,984**

(22) Filed: **Dec. 29, 2015**

(51) **LOC (10) Cl.** **10-04**

(52) **U.S. Cl.**
USPC **D10/65**

(58) **Field of Classification Search**
USPC D10/65, 70
CPC G08G 1/096883; G08G 1/096872; G08G
1/096775; G01C 21/16; G01C 21/3688;
G01C 21/30; G01V 8/20; G01J 5/02;
G01J 5/023; G01J 5/24; G01J 5/10; G01J
5/20; G01J 5/0235; G01J 5/08; G01J
5/0853; G01J 5/33; G01J 5/34; G01J 5/00
See application file for complete search history.

(56) **References Cited**

U.S. PATENT DOCUMENTS

D581,818 S	*	12/2008	Gretton	D10/65
D589,381 S	*	3/2009	Gretton	D10/65
D589,382 S	*	3/2009	Gretton	D10/65
D589,383 S	*	3/2009	Gretton	D10/65
D589,384 S	*	3/2009	Gretton	D10/65
D589,385 S	*	3/2009	Gretton	D10/65
D692,326 S	*	10/2013	Roberts	D10/65
D693,707 S	*	11/2013	Stevens	D10/65

OTHER PUBLICATIONS

Garmin nüviCam <https://buy.garmin.com/en-US/US/on-the-road/automotive/2015-line/nuVICAM-lmthd/prod-168820.html> published prior to Dec. 21, 2015.
Garmin dēzlCam <https://buy.garmin.com/en-US/US/prod511034.html> published prior to Dec. 21, 2015.
Printout from <http://www.magellanos.com/Store/Latest-RoadMates/RoadMate-6230-LM> published prior to Dec. 21, 2015.
Printout from <http://www.randmcnally.com/product/tnd-tablet> published prior to Dec. 21, 2015.

* cited by examiner

Primary Examiner — Antoine D Davis

(74) *Attorney, Agent, or Firm* — Samuel M. Korte; Max M. Ali

(57) **CLAIM**

The ornamental design for a navigation device, as shown and described.

DESCRIPTION

FIG. 1 is a front perspective view of a navigation device according to the present invention; FIG. 2 is a rear perspective view of the navigation device; FIG. 3 is a top view of the navigation device; FIG. 4 is a front view of the navigation device; FIG. 5 is a bottom view of the navigation device; FIG. 6 is a rear view of the navigation device; FIG. 7 is a left side view of the navigation device; and, FIG. 8 is a right side view of the navigation device. The structural features depicted by broken lines have been shown for the purpose of illustrating portions of the navigation device that form no part of the claimed design.

1 Claim, 3 Drawing Sheets

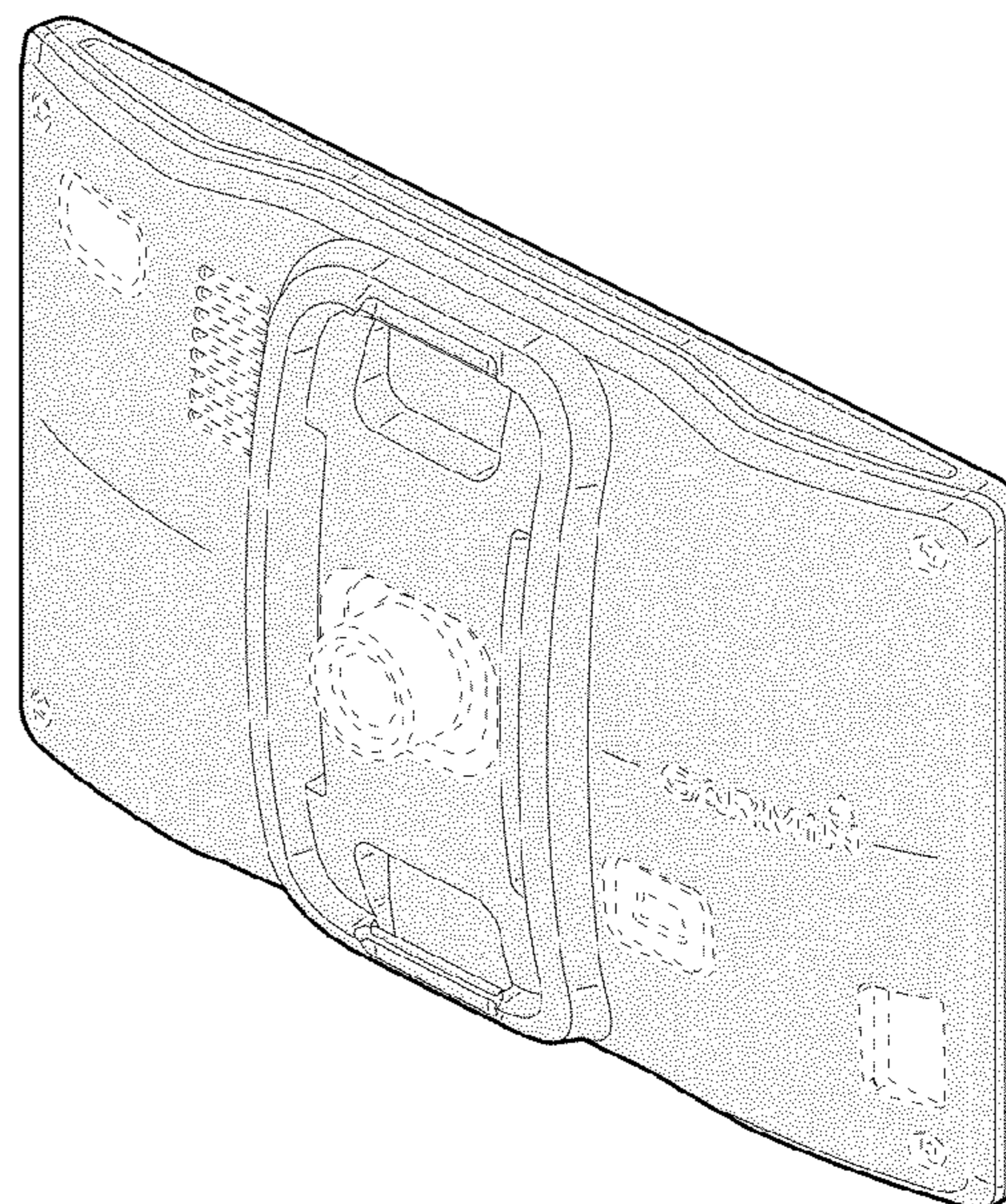
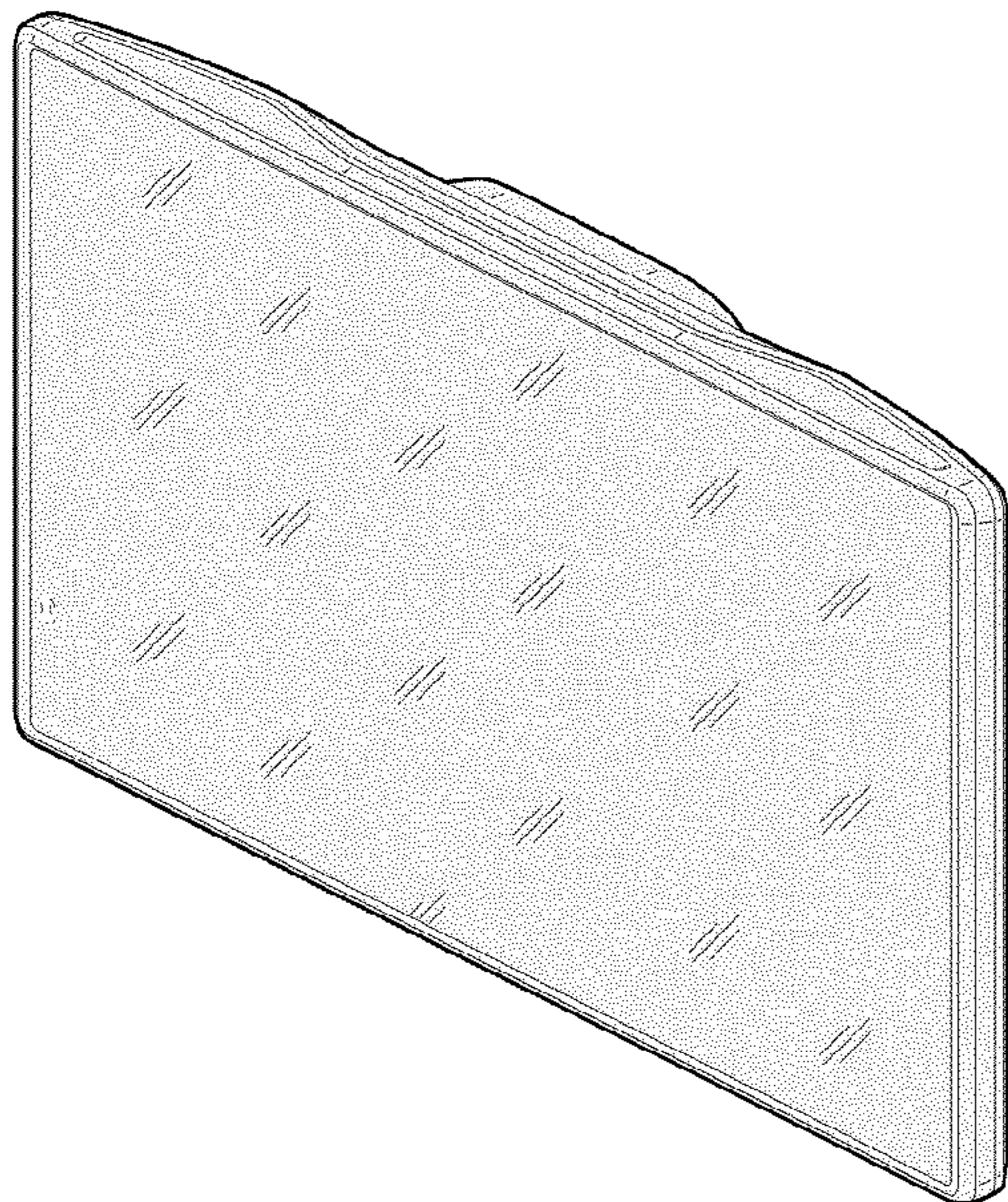


Fig. 1

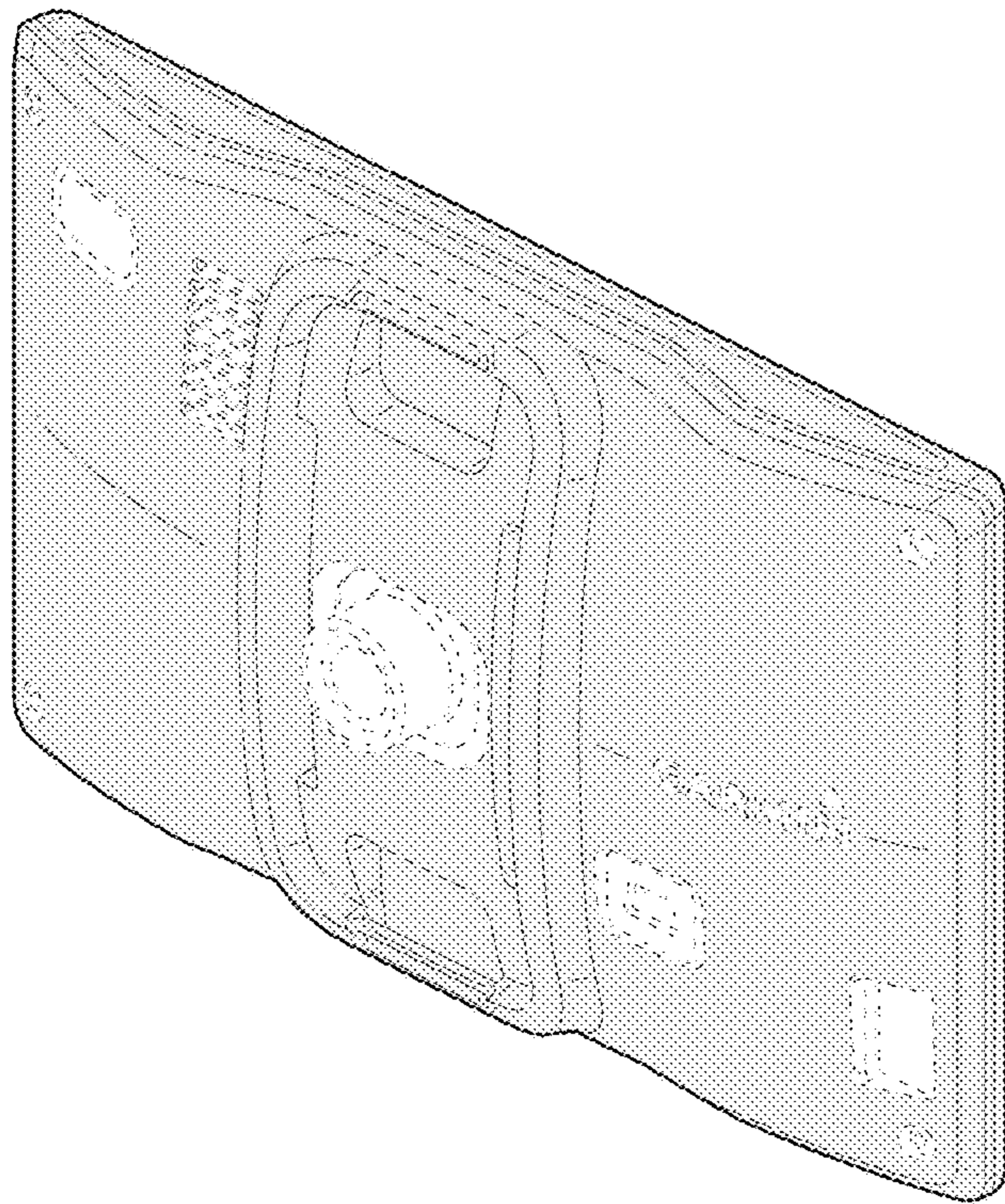
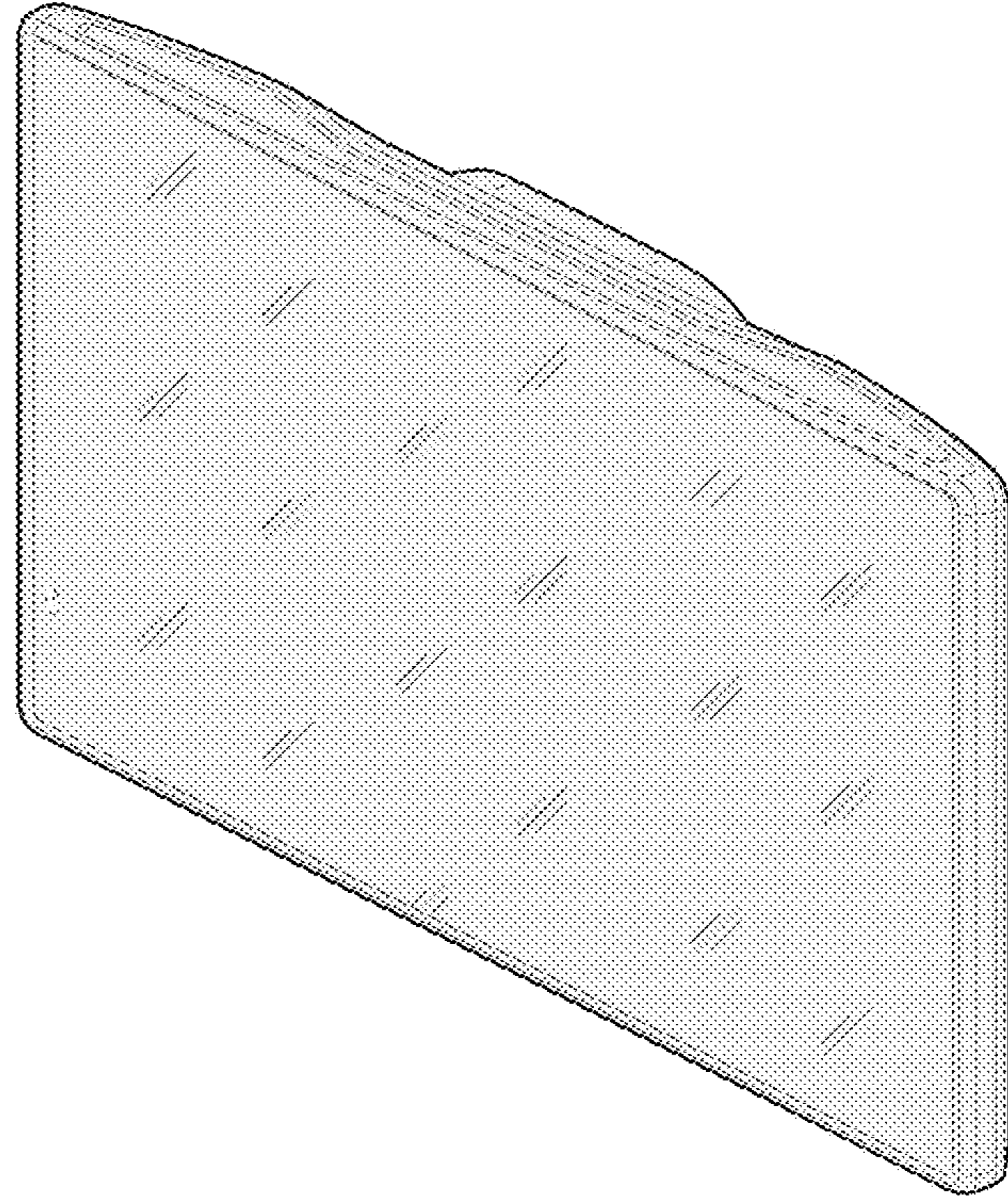


Fig. 2

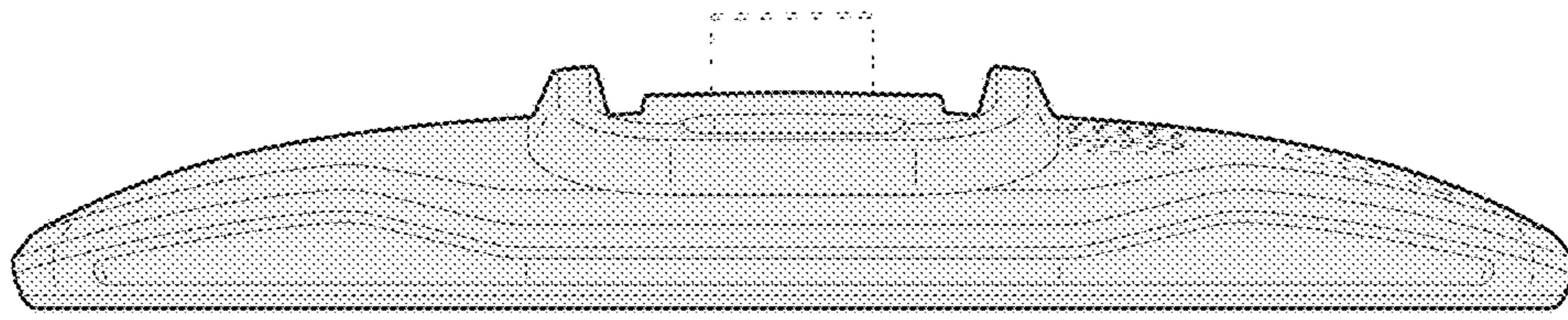


Fig. 3

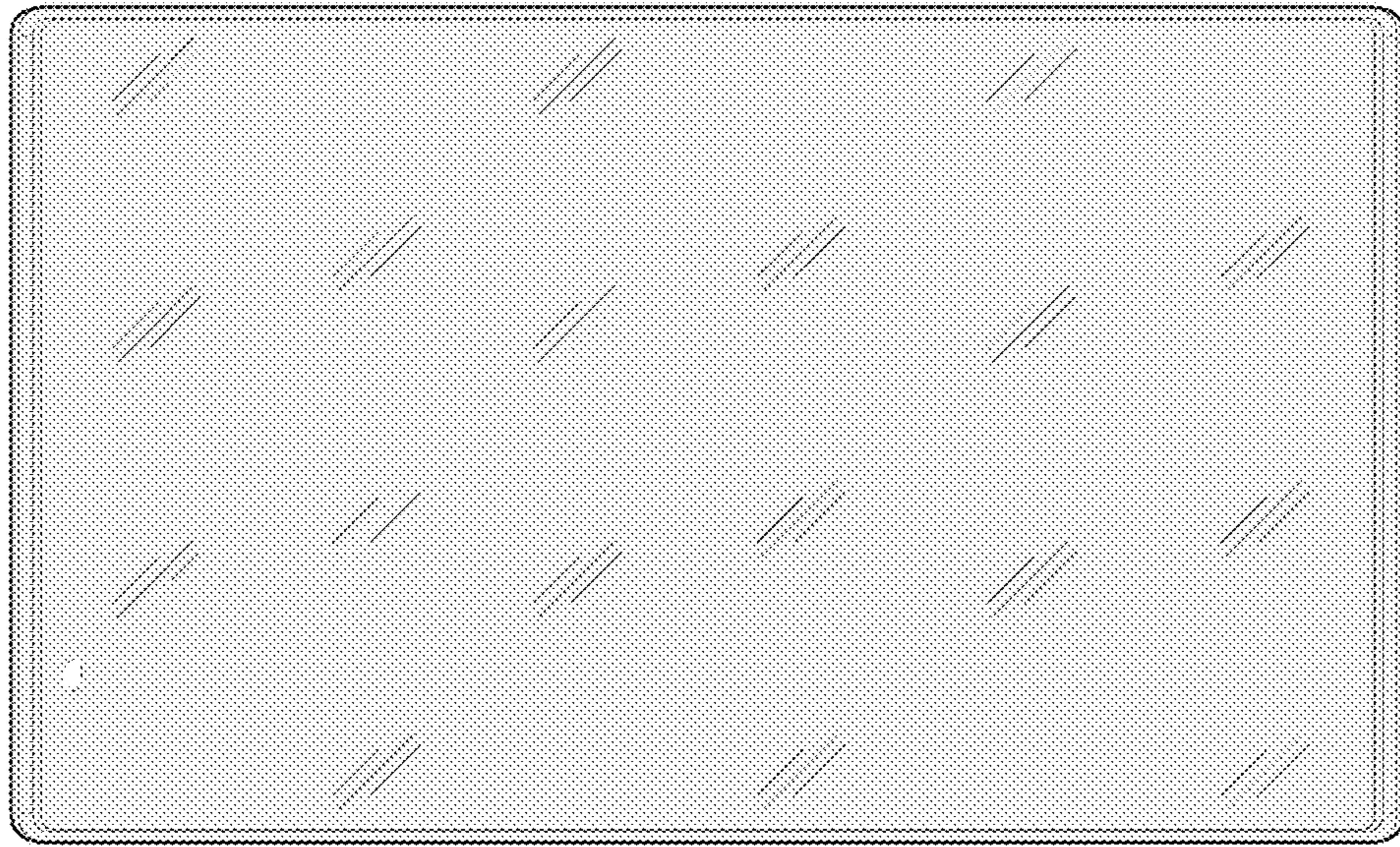


Fig. 4

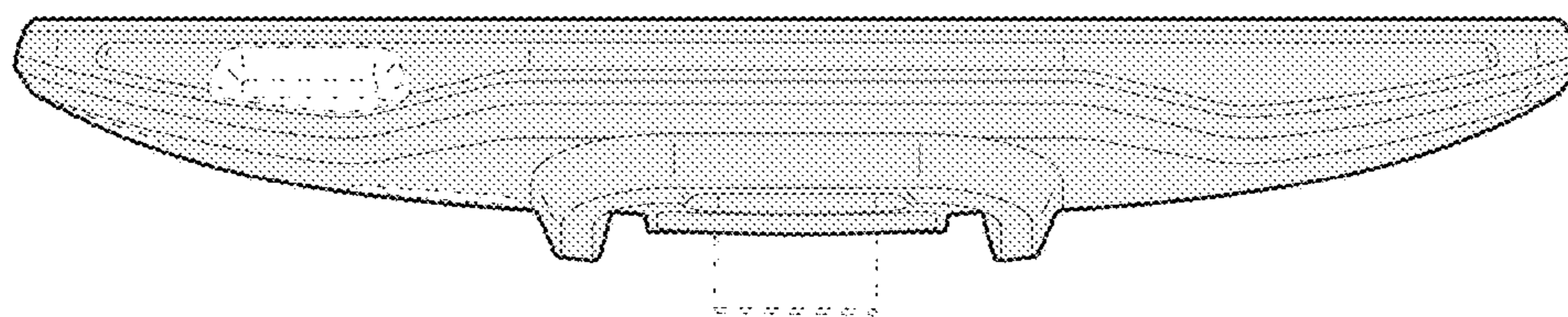


Fig. 5

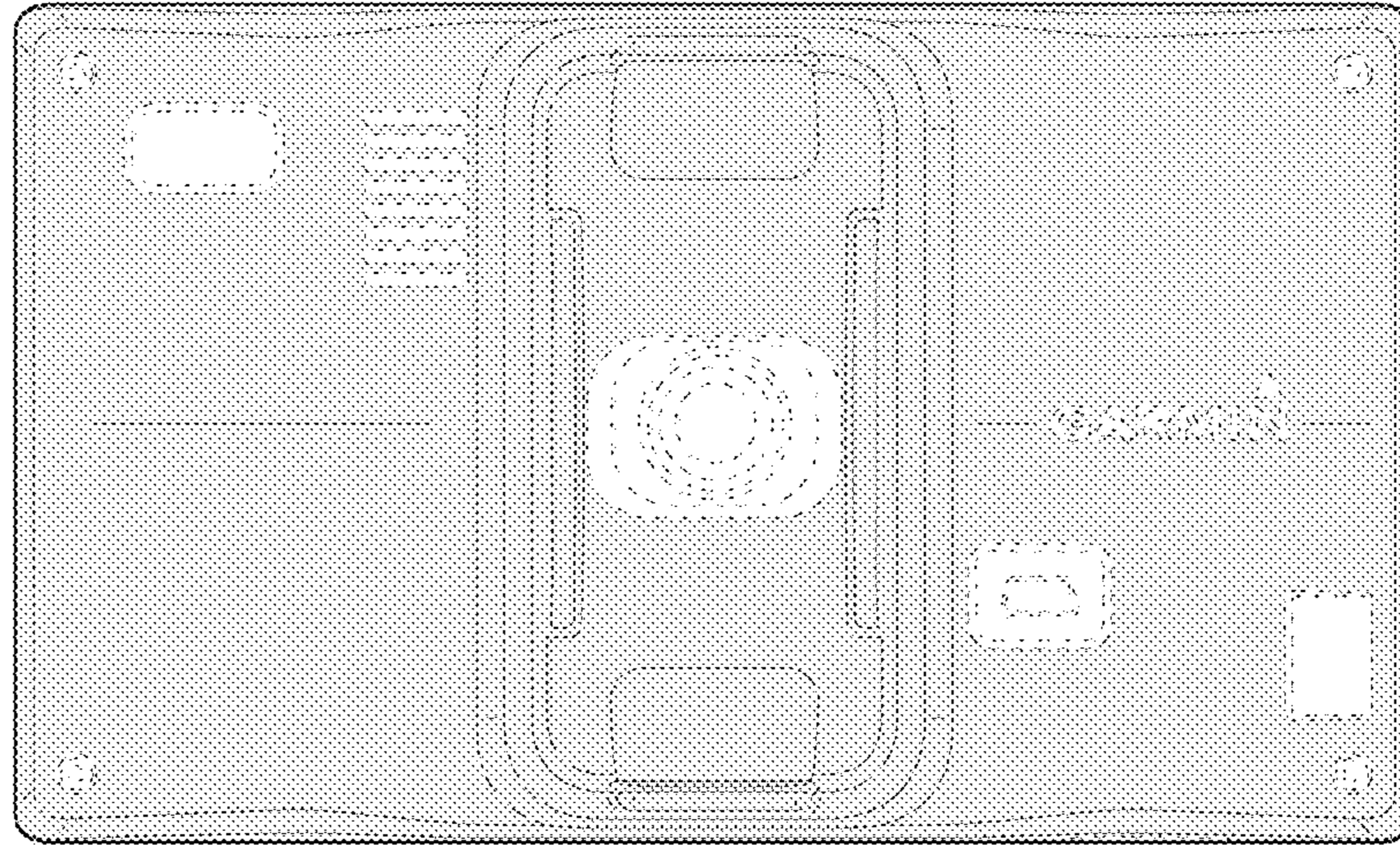


Fig. 6

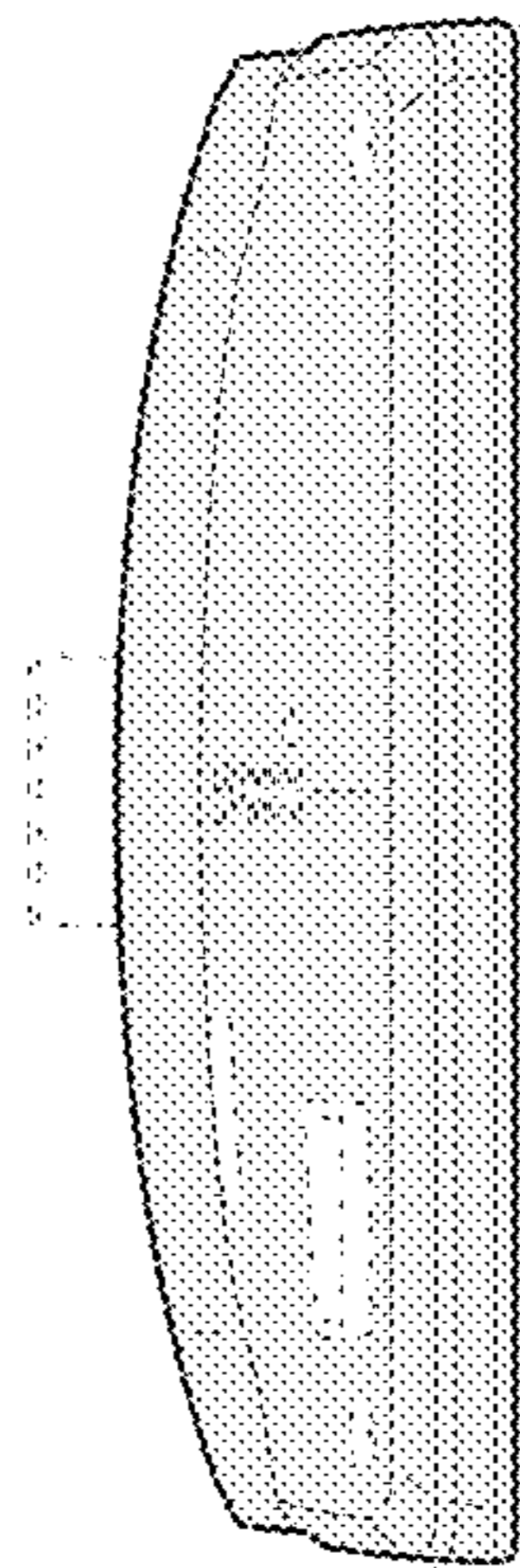


Fig. 7

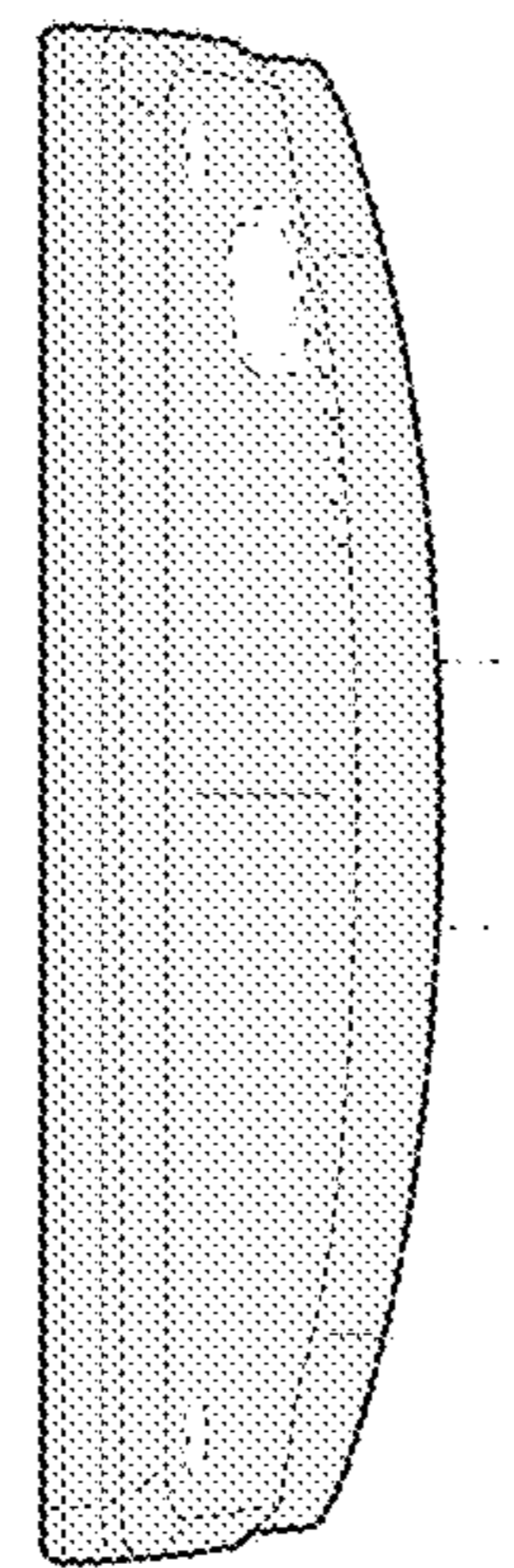


Fig. 8