



US00D789807S

(12) **United States Design Patent**
Mille

(10) **Patent No.:** **US D789,807 S**

(45) **Date of Patent:** **** Jun. 20, 2017**

- (54) **WATCH**
- (71) Applicant: **Turlen Holding SA**, Les Breuleux (CH)
- (72) Inventor: **Richard Mille**, Moulins (FR)
- (73) Assignee: **TURLEN HOLDING SA**, Les Breuleux (CH)
- (**) Term: **15 Years**
- (21) Appl. No.: **29/563,018**
- (22) Filed: **May 2, 2016**

- D325,353 S * 4/1992 Meyer D10/30
- D357,192 S * 4/1995 Schneider D10/32
- D358,101 S * 5/1995 Scheufele D10/32
- D368,433 S * 4/1996 Schulze D10/30
- D438,473 S * 3/2001 Dumas D10/39
- D486,078 S * 2/2004 de Baschmakoff D10/39
- D502,411 S * 3/2005 Sabarthes D10/30
- D510,707 S * 10/2005 Cheng D10/30
- 7,016,265 B2 * 3/2006 Born G04C 3/066
368/162
- D536,994 S * 2/2007 Sugisawa D10/31
- D570,710 S * 6/2008 Wong D10/31
- D616,312 S * 5/2010 Ellia D10/39

(Continued)

(30) **Foreign Application Priority Data**

Jan. 6, 2016 (WO) DM/088969

- (51) **LOC (10) Cl.** **10-02**
- (52) **U.S. Cl.**
USPC **D10/39; D10/30**
- (58) **Field of Classification Search**
USPC D10/1-29, 30-39, 122-132
CPC G04C 17/00; G04C 3/061; G04C 3/102;
G04C 13/10; G04B 15/06; G04B 15/08;
G04B 15/14; G04B 17/063; G04B 17/08;
G04B 18/023; G04B 19/00; G04B 19/04;
G04B 19/06; G04B 19/065; G04B 19/10;
G04B 19/12; G04B 19/24; G04B 19/26;
G04B 19/268; G04B 19/30; G04B
37/0008; G04B 37/0058; G04B 37/0066;
G04B 37/081; G04B 37/082; G04B
37/18; G04B 37/22; G04B 47/042; A44C
5/14

See application file for complete search history.

(56) **References Cited**

U.S. PATENT DOCUMENTS

- 167,872 A * 9/1875 Bourquin G04B 15/06
368/132
- D77,296 S * 12/1928 Conant D10/38

FOREIGN PATENT DOCUMENTS

- CH 703343 A2 * 12/2011 G04B 19/042
- CH 2400353 A1 * 12/2011 B22D 17/007

(Continued)

Primary Examiner — Sheryl Lane
Assistant Examiner — Samantha Wood
 (74) *Attorney, Agent, or Firm* — Donald J. Ranft; Collen IP

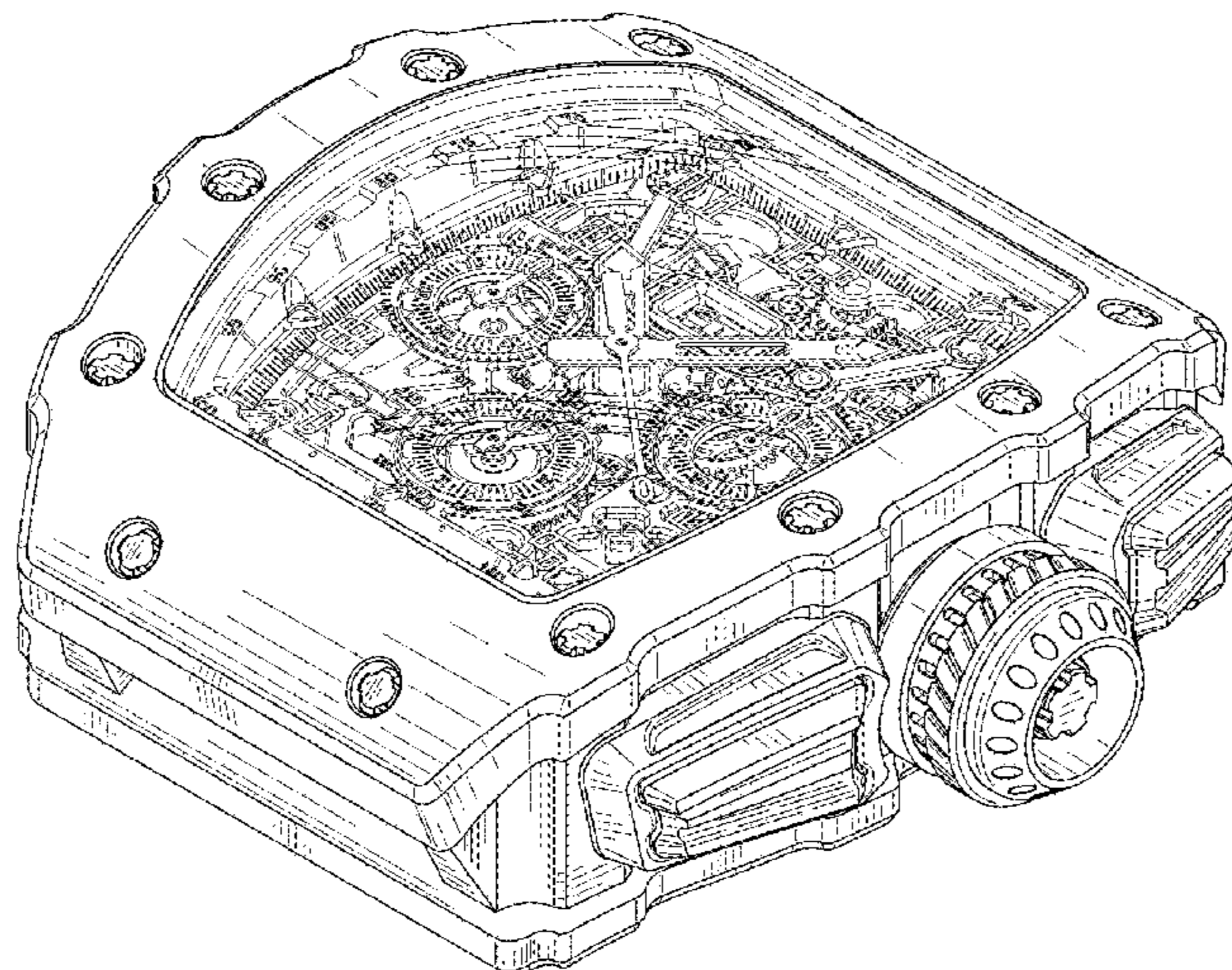
(57) **CLAIM**

The ornamental design for a watch, as shown.

DESCRIPTION

FIG. 1 is a front right perspective view of a watch showing my new design;
 FIG. 2 is a rear left perspective view thereof;
 FIG. 3 is a front view thereof;
 FIG. 4 is a rear view thereof;
 FIG. 5 is a left side view thereof;
 FIG. 6 is a right side view thereof;
 FIG. 7 is a top view thereof;
 FIG. 8 is a bottom view thereof;
 FIG. 9 is a front left perspective view thereof; and,
 FIG. 10 is a rear right perspective view thereof.

1 Claim, 8 Drawing Sheets



(56)

References Cited

U.S. PATENT DOCUMENTS

7,794,137 B2 * 9/2010 Golay G04B 17/285
 368/127
 D632,593 S * 2/2011 Nunes D10/39
 D634,653 S * 3/2011 Laucella D10/39
 8,038,340 B2 * 10/2011 Schneider G04B 15/10
 368/124
 D648,639 S * 11/2011 Mille D10/39
 D658,515 S * 5/2012 Mille D10/39
 D668,162 S * 10/2012 Inoue D10/39
 8,328,413 B2 * 12/2012 Lechot G04B 15/00
 368/101
 8,406,086 B2 * 3/2013 Shimizu G04C 9/00
 368/110
 D691,902 S * 10/2013 Mille D10/39
 D692,323 S * 10/2013 Mille D10/39
 D693,245 S * 11/2013 Mille D10/39
 D694,657 S * 12/2013 Mille D10/39

D695,637 S * 12/2013 Jacquerye D10/39
 D706,144 S * 6/2014 Monachon D10/39
 D706,650 S * 6/2014 Emch D10/39
 D707,139 S * 6/2014 Mille D10/39
 D707,573 S * 6/2014 Mille D10/39
 D708,075 S * 7/2014 Mille D10/39
 D708,076 S * 7/2014 Monachon D10/39
 D710,216 S * 8/2014 Mille D10/38
 D710,714 S * 8/2014 Monachon D10/39
 D710,729 S * 8/2014 Delhotal D10/124
 D713,743 S * 9/2014 Mille D10/39
 D714,164 S * 9/2014 Vuilleumier D10/30
 D715,164 S * 10/2014 Tedeschi D10/128
 2012/0008465 A1 * 1/2012 Lin G04C 17/0091
 368/29

FOREIGN PATENT DOCUMENTS

CH 2400354 A1 * 12/2011 G04B 19/12
 FR 2687806 A3 * 8/1993 G04B 19/264

* cited by examiner

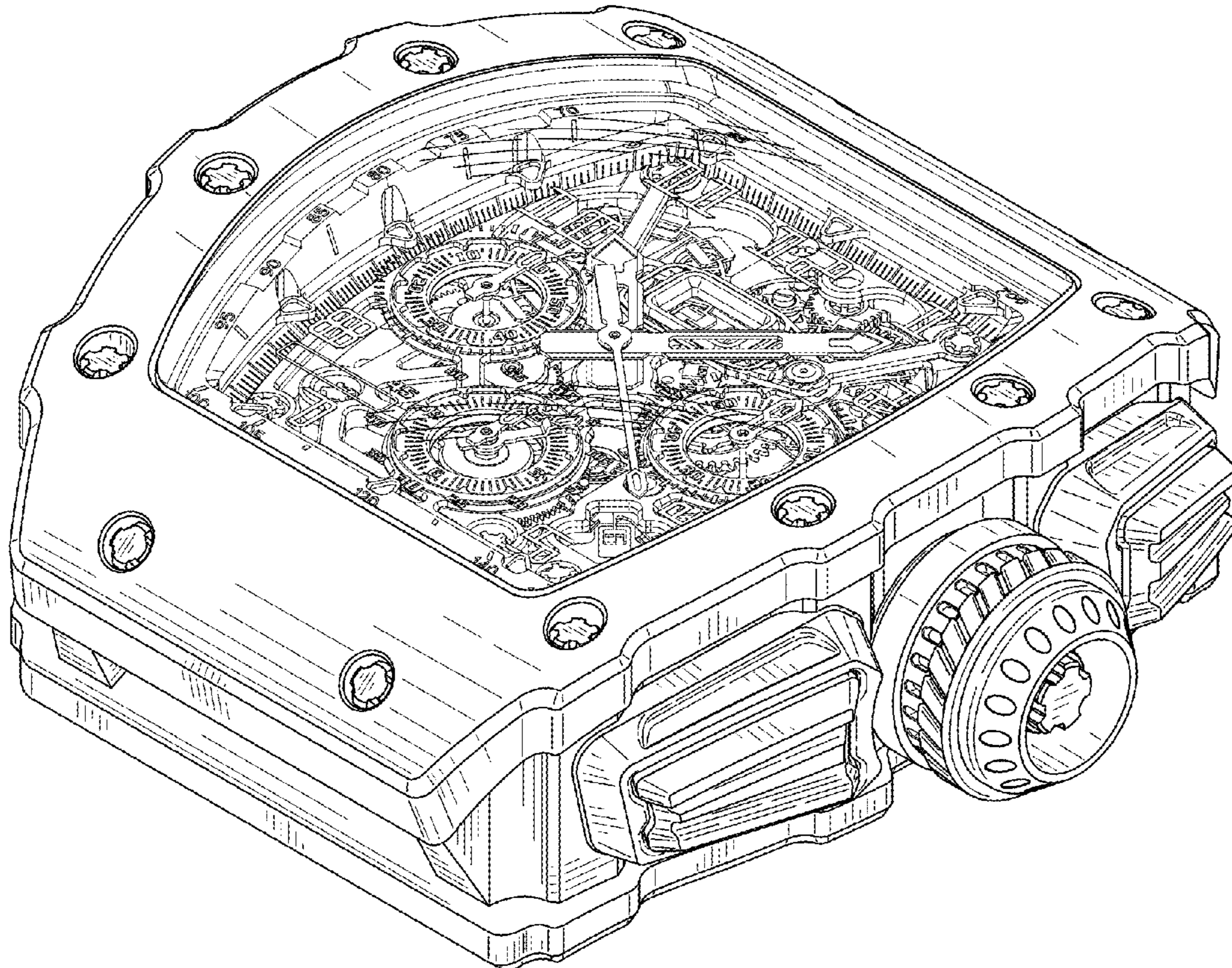


FIG. 1

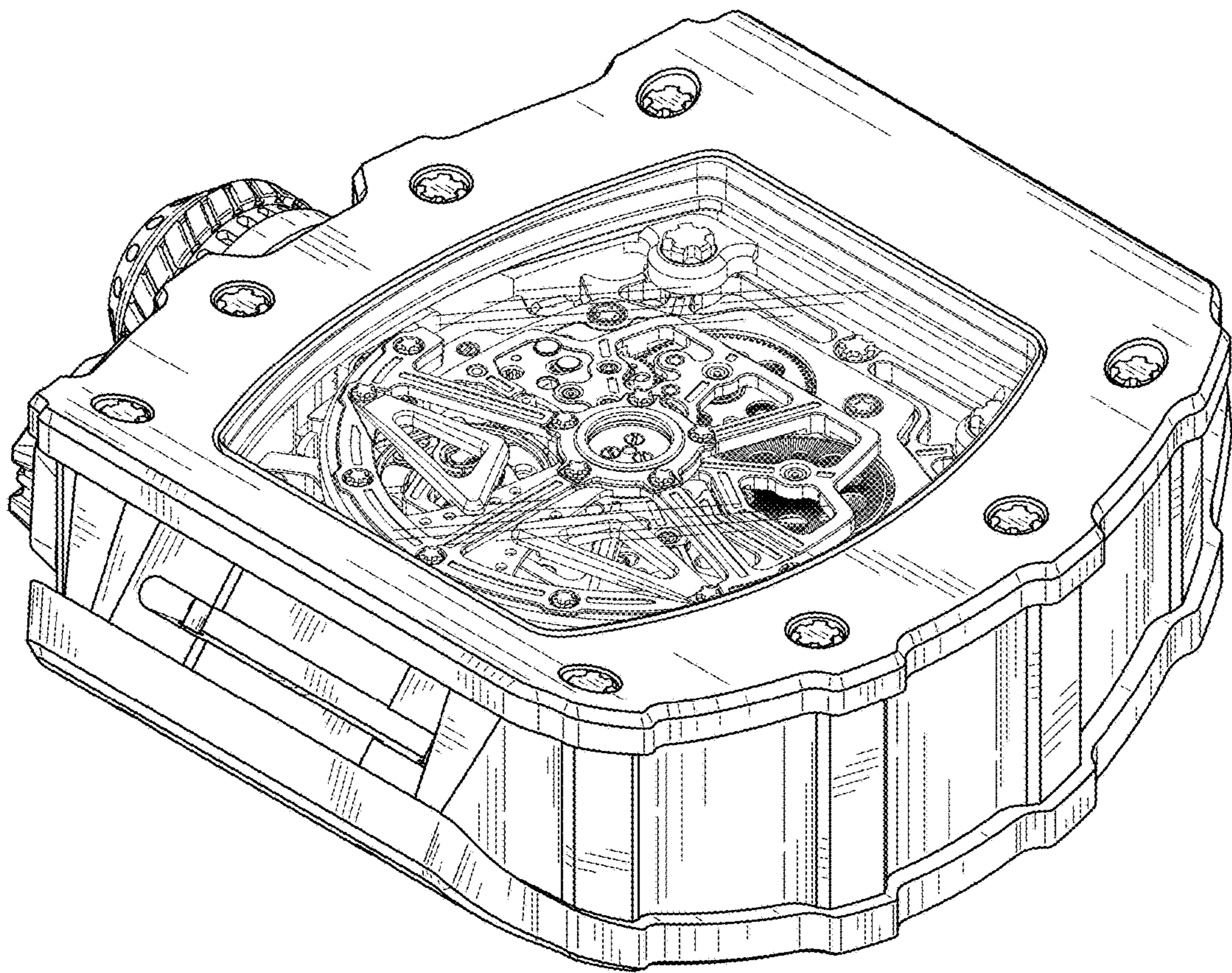


FIG. 2

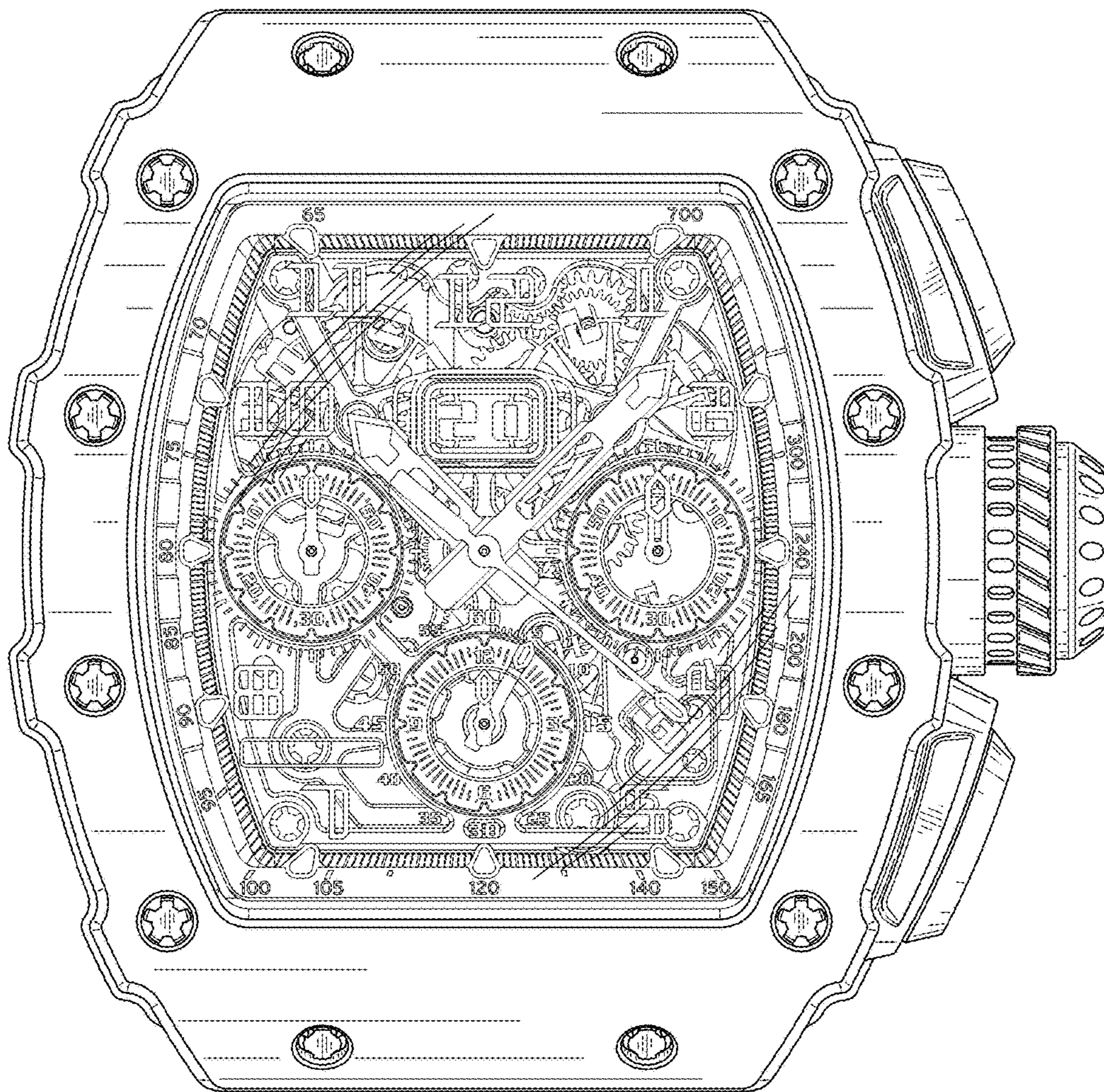


FIG. 3

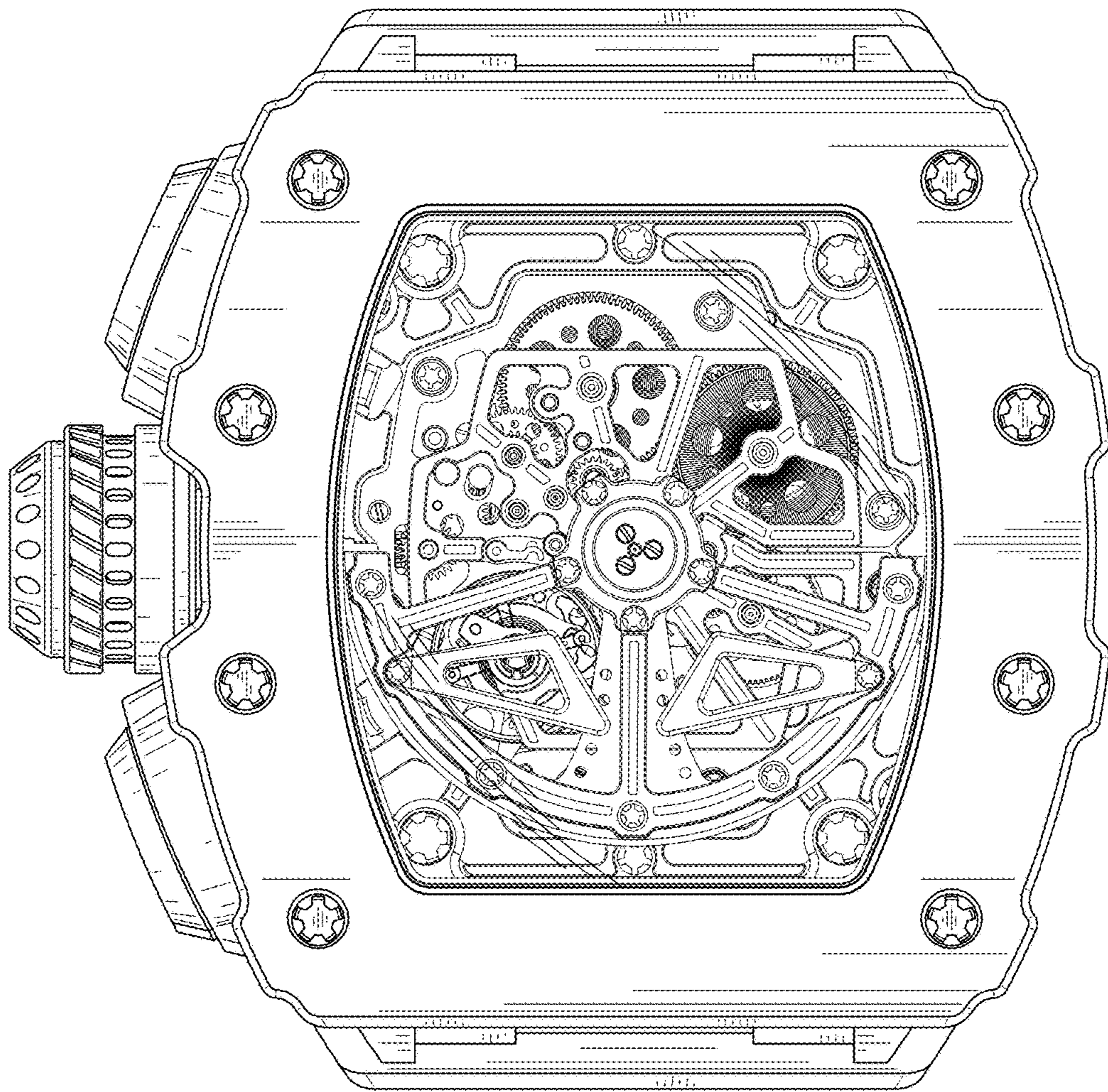


FIG. 4

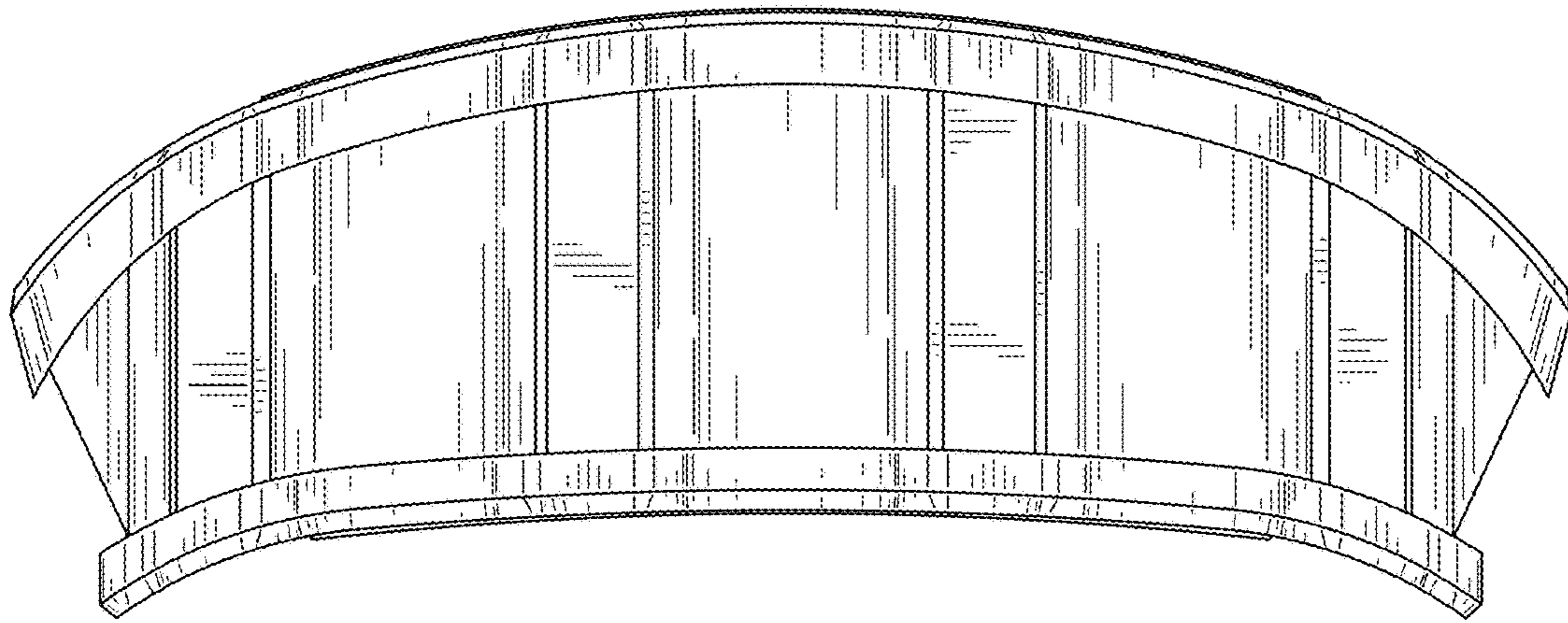


FIG. 5

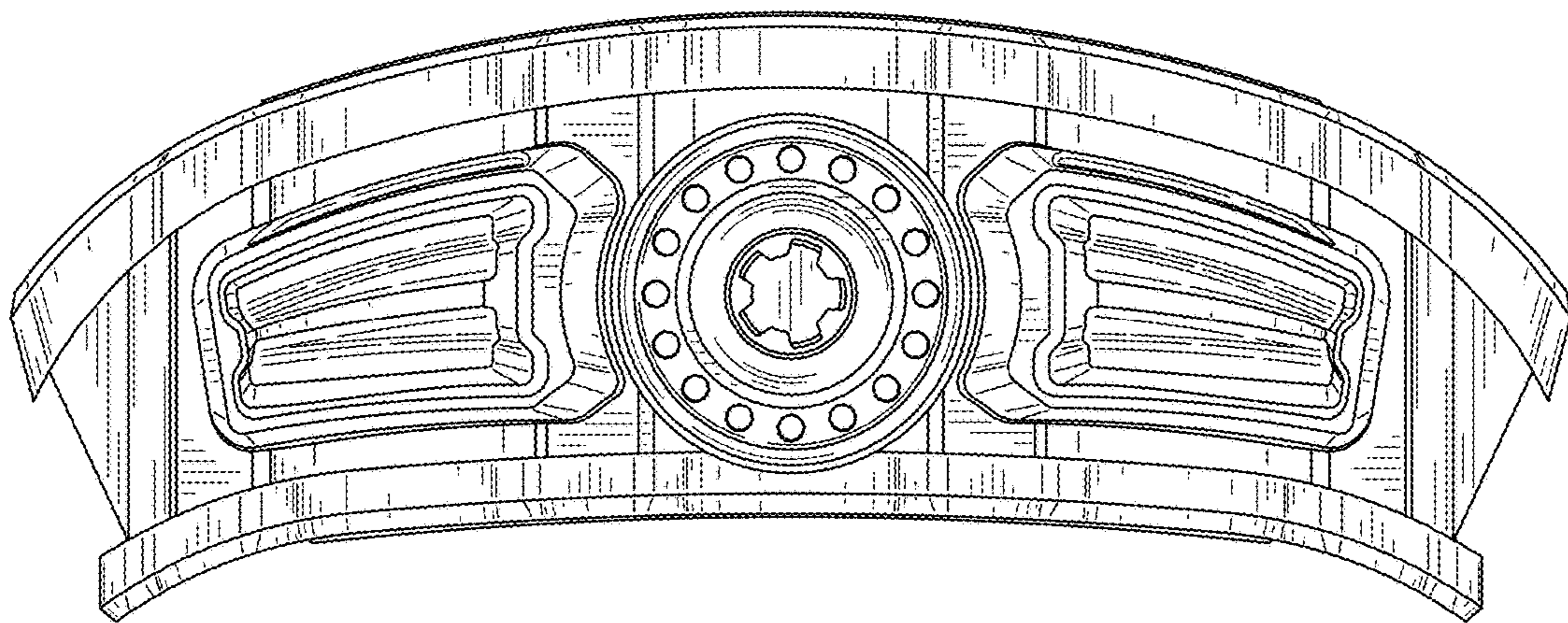


FIG. 6

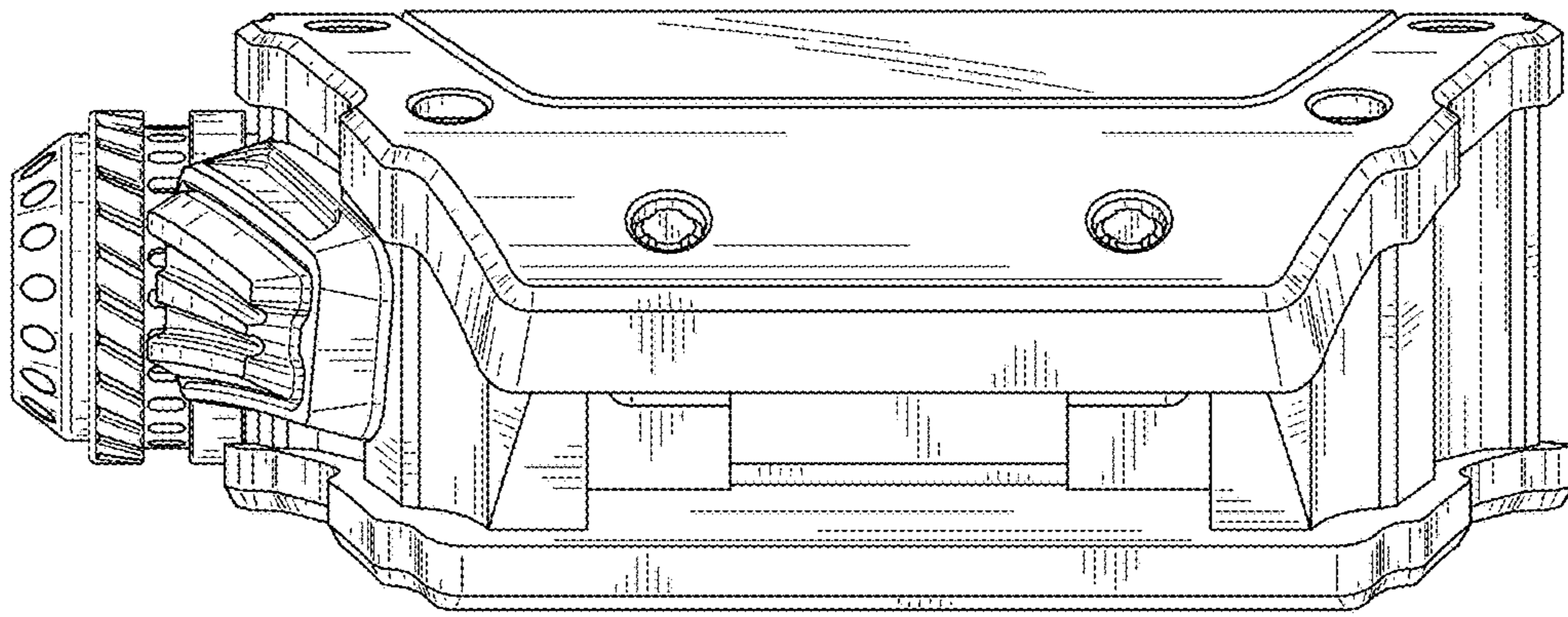


FIG. 7

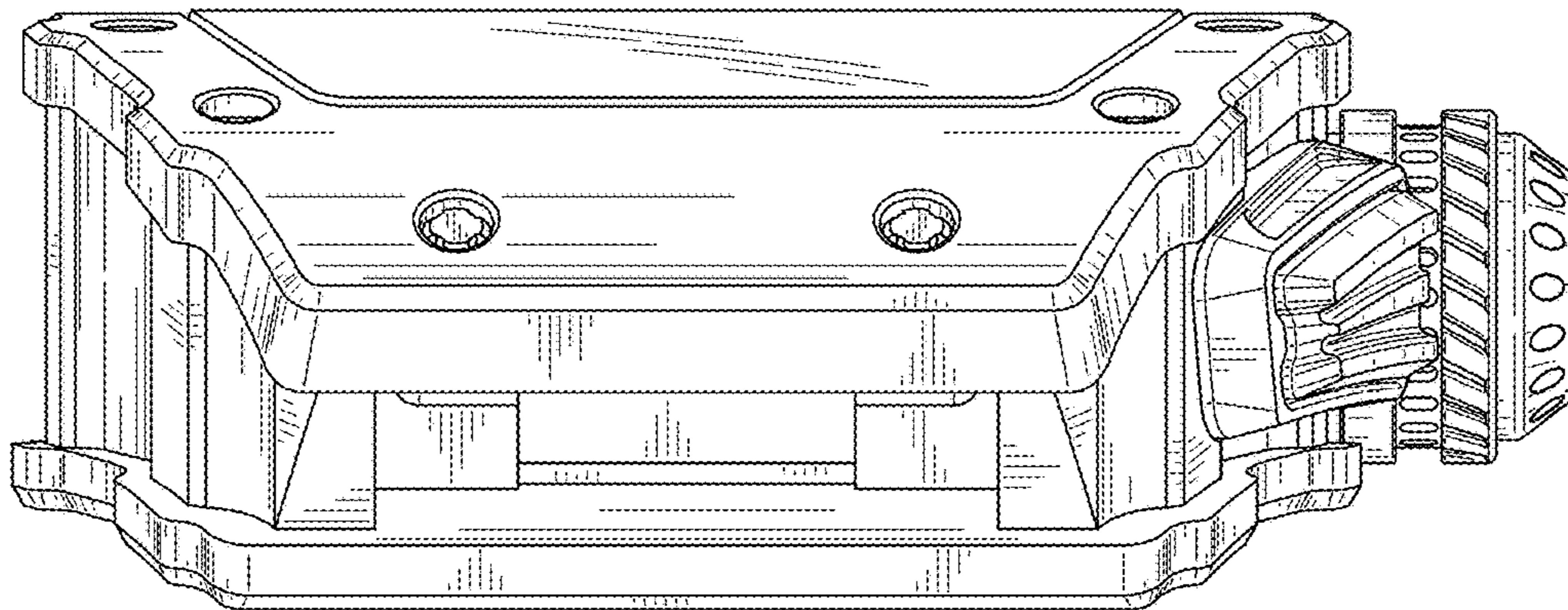


FIG. 8

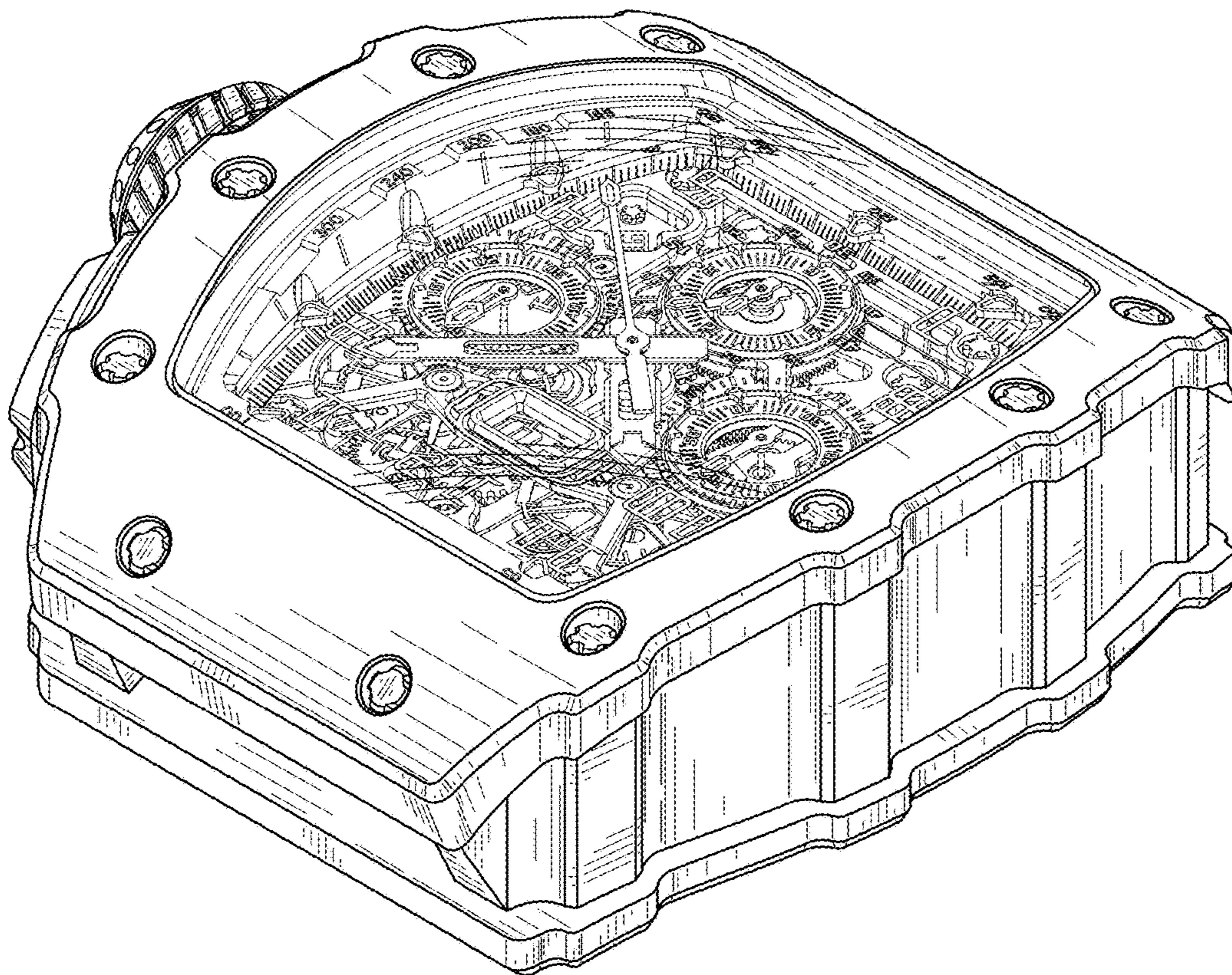


FIG. 9

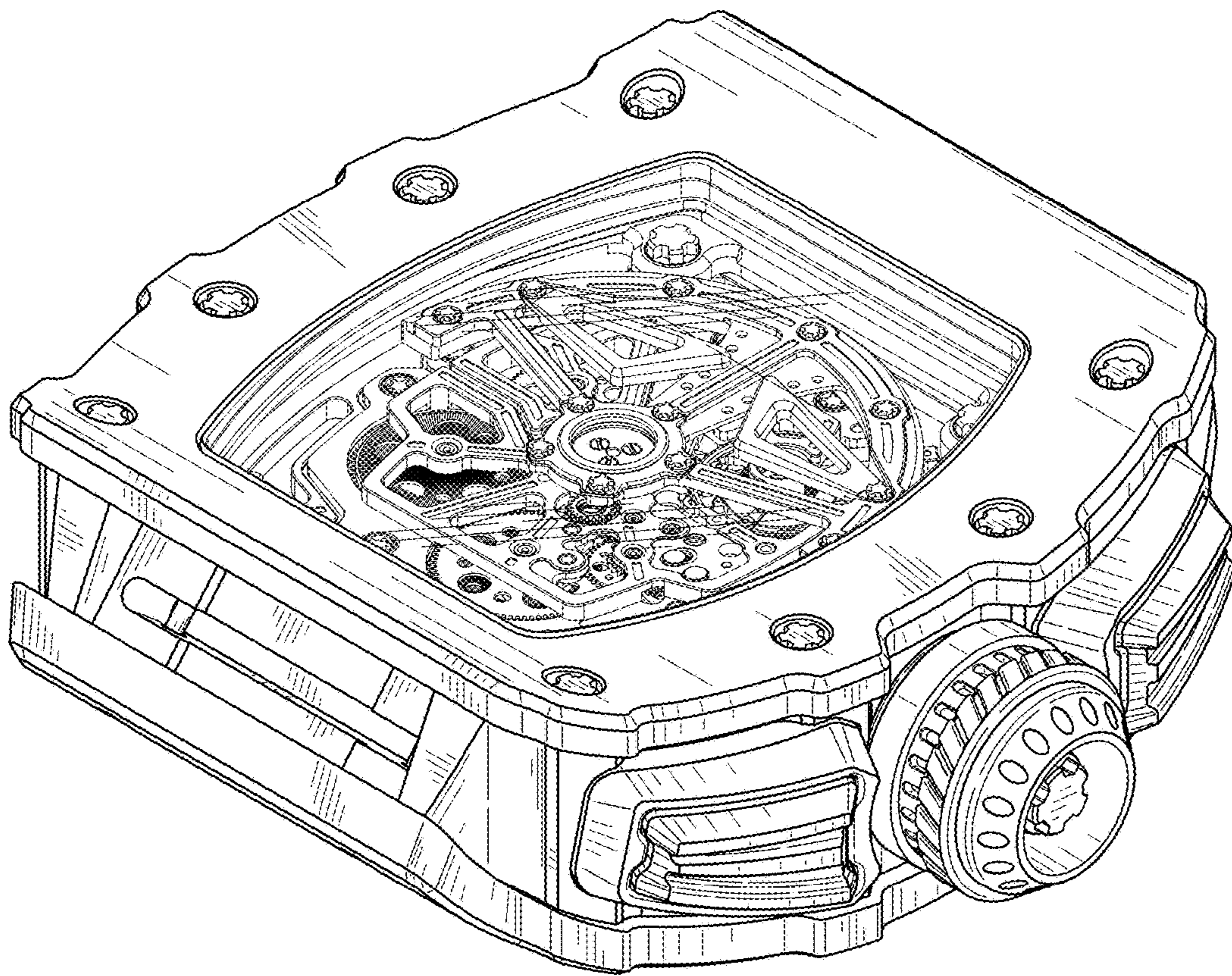


FIG. 10