



US00D789806S

(12) **United States Design Patent**  
**Mille**

(10) **Patent No.:** **US D789,806 S**  
(45) **Date of Patent:** **\*\* Jun. 20, 2017**

(54) **WATCH**

(71) Applicant: **Turlen Holding SA**, Les Breuleux (CH)

(72) Inventor: **Richard Mille**, Moulins (FR)

(73) Assignee: **TURLEN HOLDING SA**, Les Breuleux (CH)

(\*\*) Term: **15 Years**

(21) Appl. No.: **29/558,240**

(22) Filed: **Mar. 16, 2016**

(30) **Foreign Application Priority Data**

Oct. 5, 2015 (WO) ..... DM/087814

(51) **LOC (10) Cl.** ..... **10-02**

(52) **U.S. Cl.**  
USPC ..... **D10/39; D10/30**

(58) **Field of Classification Search**  
USPC ..... D10/1-29, 30-39, 122-132  
CPC ..... G04C 17/00; G04C 3/061; G04C 3/102;  
G04C 13/10; G04B 15/06; G04B 15/08;  
G04B 15/14; G04B 17/063; G04B 17/08;  
G04B 18/023; G04B 19/00; G04B 19/04;  
G04B 19/06; G04B 19/10; G04B 19/12;  
G04B 19/24; G04B 19/26; G04B 19/268;  
G04B 19/065; G04B 19/30; G04B  
37/0008; G04B 37/0058; G04B 37/0066;  
G04B 37/081; G04B 37/082; G04B  
37/18; G04B 37/22; G04B 47/042; A44C  
5/14

See application file for complete search history.

(56) **References Cited**

**U.S. PATENT DOCUMENTS**

D108,738 S \* 3/1938 Merz ..... D10/38  
D151,301 S \* 10/1948 Tuffo ..... D10/128  
D317,128 S \* 5/1991 Benson ..... D10/32

D326,058 S \* 5/1992 Schneider ..... D10/39  
D326,823 S \* 6/1992 Wunderman ..... D10/32  
D333,989 S \* 3/1993 Sugibayashi ..... D10/39  
D336,616 S \* 6/1993 Gueit ..... D10/128  
D350,071 S \* 8/1994 Giardiello ..... D10/30  
D352,470 S \* 11/1994 Besson ..... D10/129  
D356,042 S \* 3/1995 Nakanishi ..... D10/30  
D489,629 S \* 5/2004 Chodat ..... D10/30  
D493,111 S \* 7/2004 Afshar ..... D10/32  
D494,072 S \* 8/2004 Bitetto ..... D10/39  
D510,707 S \* 10/2005 Cheng ..... D10/30  
D564,908 S \* 3/2008 Chodat ..... D10/38  
D570,710 S \* 6/2008 Wong ..... D10/30  
D578,413 S \* 10/2008 Laucella ..... D10/39  
D600,144 S \* 9/2009 Diltoer ..... D10/38

(Continued)

**FOREIGN PATENT DOCUMENTS**

JP 3163949 \* 11/2010 ..... G04B 19/26  
WO WO 9934265 A1 \* 7/1999 ..... G04B 19/26

*Primary Examiner* — Sheryl Lane

*Assistant Examiner* — Samantha Wood

(74) *Attorney, Agent, or Firm* — Donald J. Ranft; Collen IP

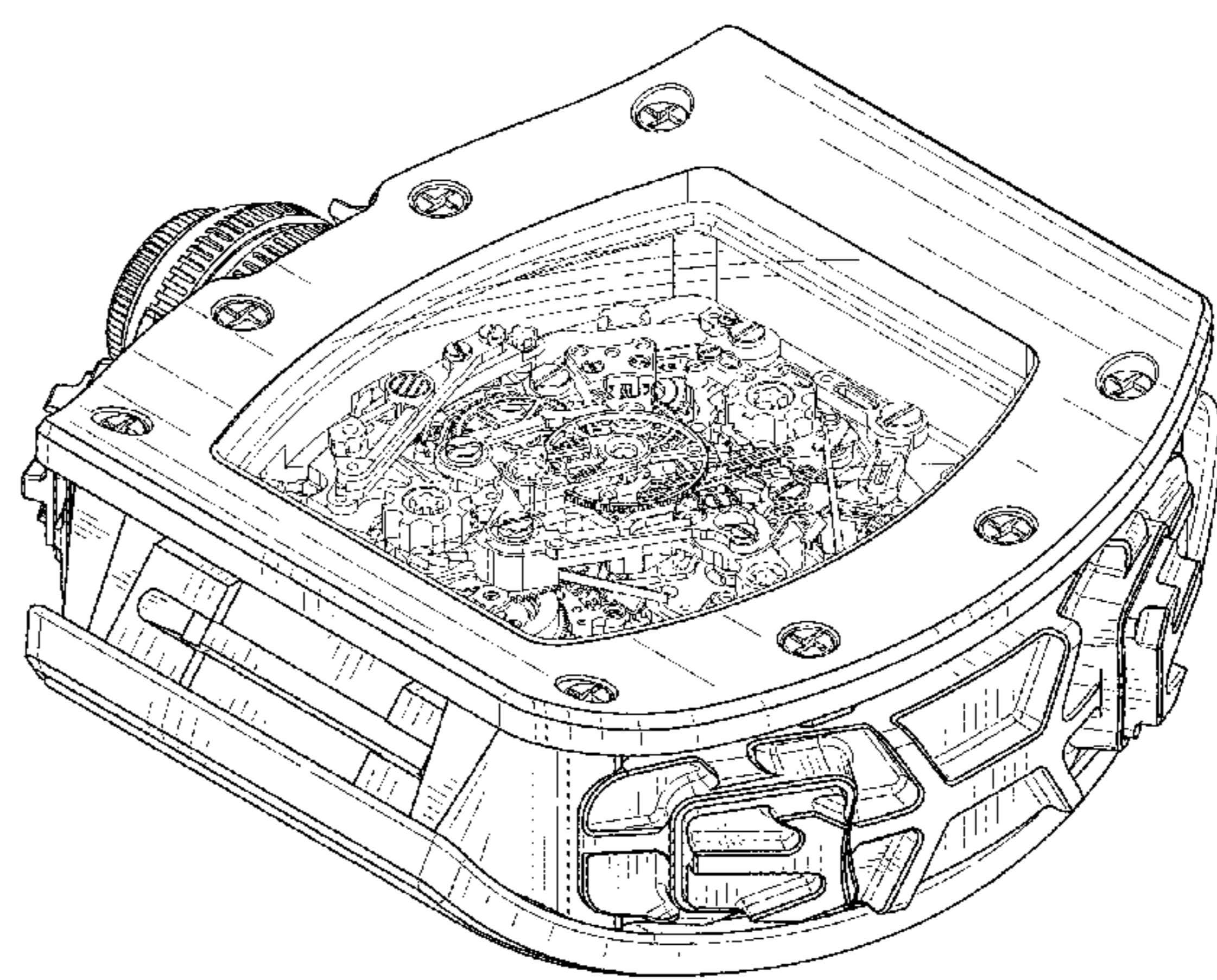
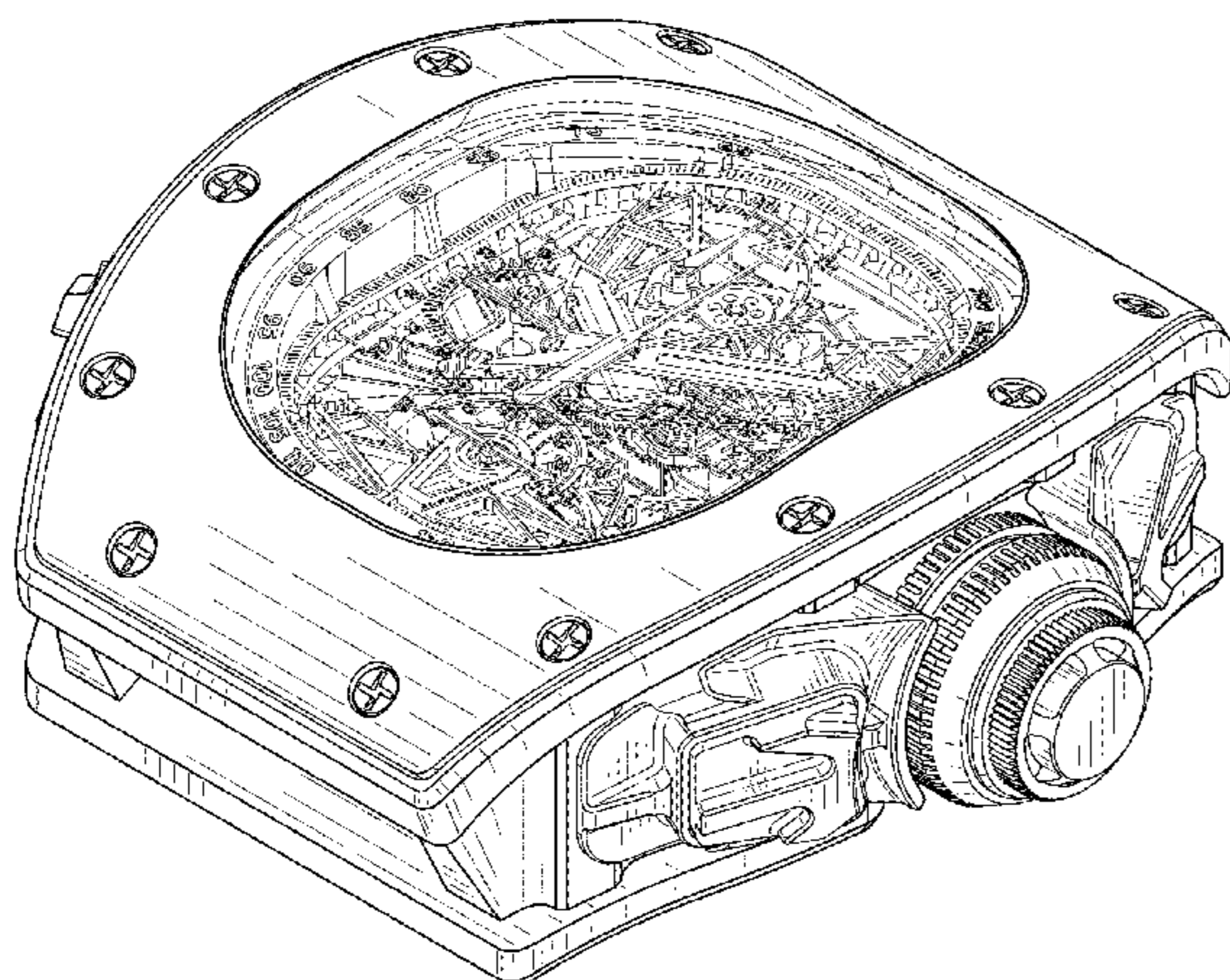
(57) **CLAIM**

The ornamental design for a watch, as shown.

**DESCRIPTION**

FIG. 1 is a front right perspective view of a watch showing my new design;  
FIG. 2 is a rear left perspective view thereof;  
FIG. 3 is a front view thereof;  
FIG. 4 is a rear view thereof;  
FIG. 5 is a left side view thereof;  
FIG. 6 is a right side view thereof;  
FIG. 7 is a top view thereof;  
FIG. 8 is a bottom view thereof;  
FIG. 9 is a front left perspective view thereof; and,  
FIG. 10 is a rear right perspective view thereof.

**1 Claim, 8 Drawing Sheets**



(56)

**References Cited**

U.S. PATENT DOCUMENTS

D615,879	S	*	5/2010	Monachon	.....	D10/32
D616,312	S	*	5/2010	Ellia	.....	D10/39
D616,767	S	*	6/2010	Laucella	.....	D10/39
D617,211	S	*	6/2010	Grimoldi	.....	D10/38
D619,909	S	*	7/2010	Moriai	.....	D10/39
D623,542	S	*	9/2010	Fontana	.....	D10/39
D636,692	S	*	4/2011	Pospieszny	.....	D10/129
D648,639	S	*	11/2011	Mille	.....	D10/39
D649,482	S	*	11/2011	Vaptzarof	.....	D10/39
D664,047	S	*	7/2012	Mille	.....	D10/39
D664,879	S	*	8/2012	Behling	.....	D10/126
D666,115	S	*	8/2012	Calvani	.....	D10/126
D678,082	S	*	3/2013	Mille	.....	D10/39
D691,902	S	*	10/2013	Mille	.....	D10/39
D693,245	S	*	11/2013	Mille	.....	D10/39
D705,673	S	*	5/2014	Arellano	.....	D10/38
D707,573	S	*	6/2014	Mille	.....	D10/39
D708,075	S	*	7/2014	Mille	.....	D10/39
D708,076	S	*	7/2014	Monachon	.....	D10/39
D710,217	S	*	8/2014	Galli	.....	D10/39
D710,714	S	*	8/2014	Monachon	.....	D10/39
D710,729	S	*	8/2014	Delhotal	.....	D10/124
D710,730	S	*	8/2014	Delhotal	.....	D10/124
D713,743	S	*	9/2014	Mille	.....	D10/39
D714,164	S	*	9/2014	Vuilleumier	.....	D10/30
D714,662	S	*	10/2014	Mille	.....	D10/39
D715,164	S	*	10/2014	Tedeschi	.....	D10/128
2012/0257480	A1	*	10/2012	Girardbille	.....	G04F 7/088 368/80

\* cited by examiner

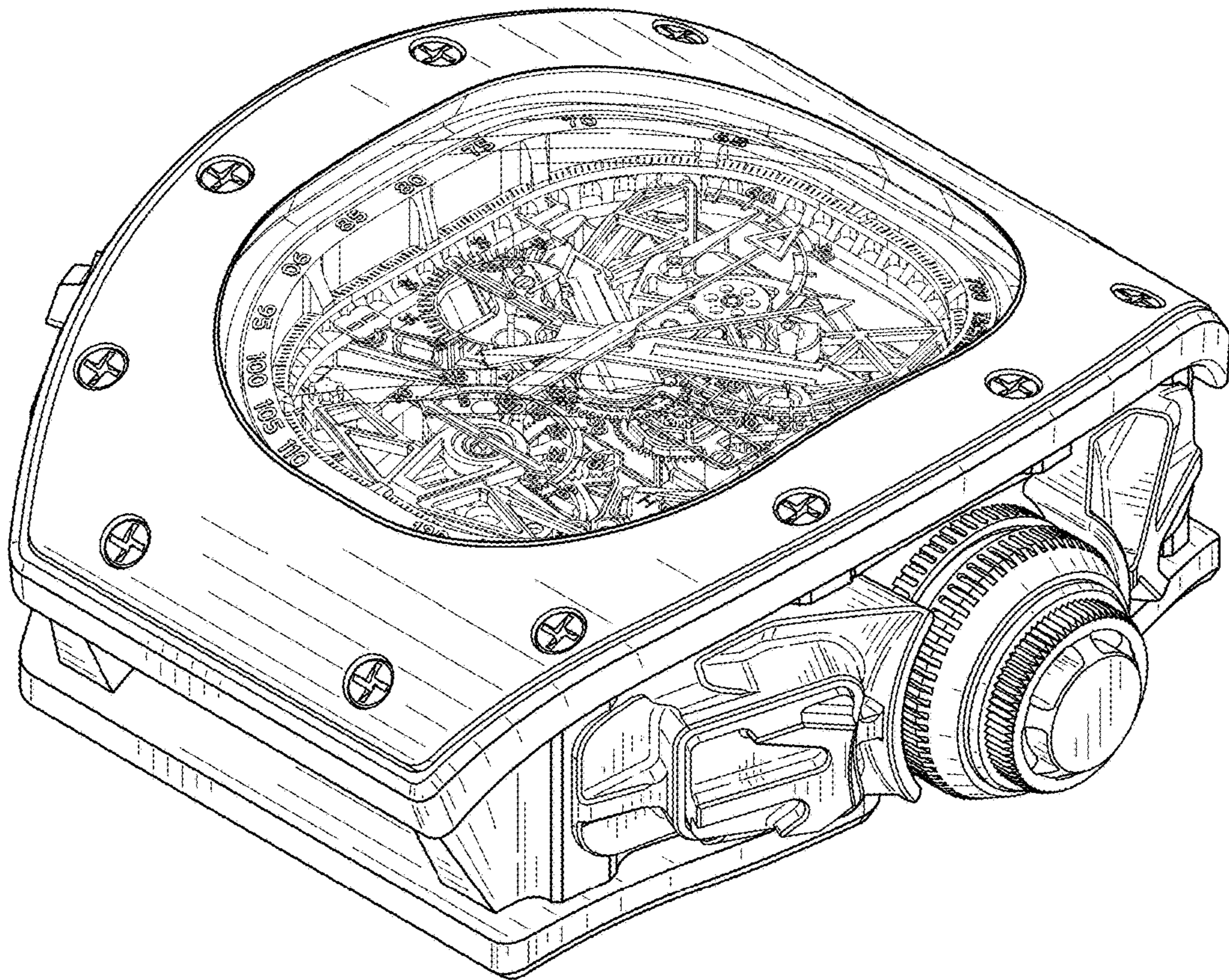


FIG. 1

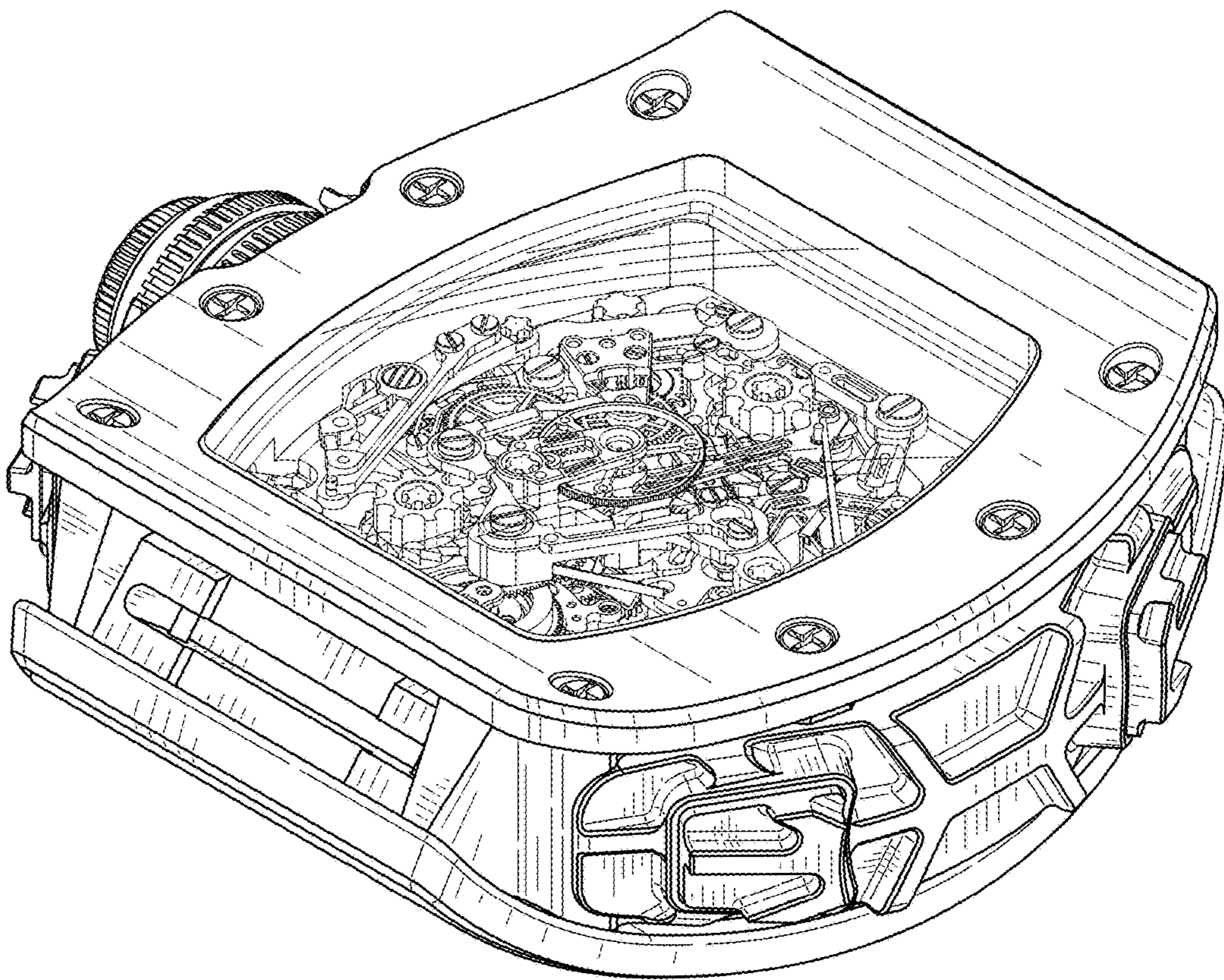


FIG. 2

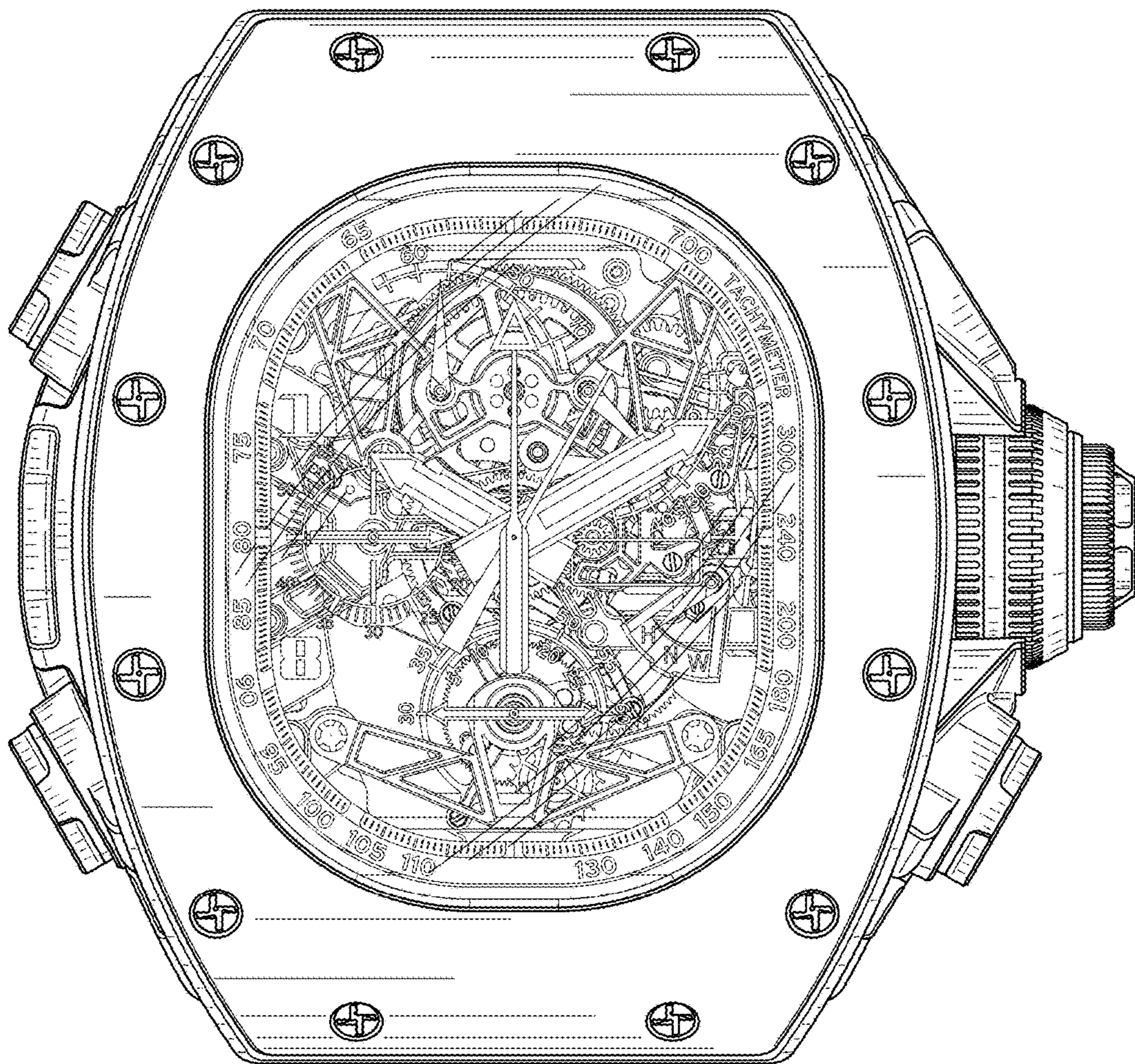


FIG. 3

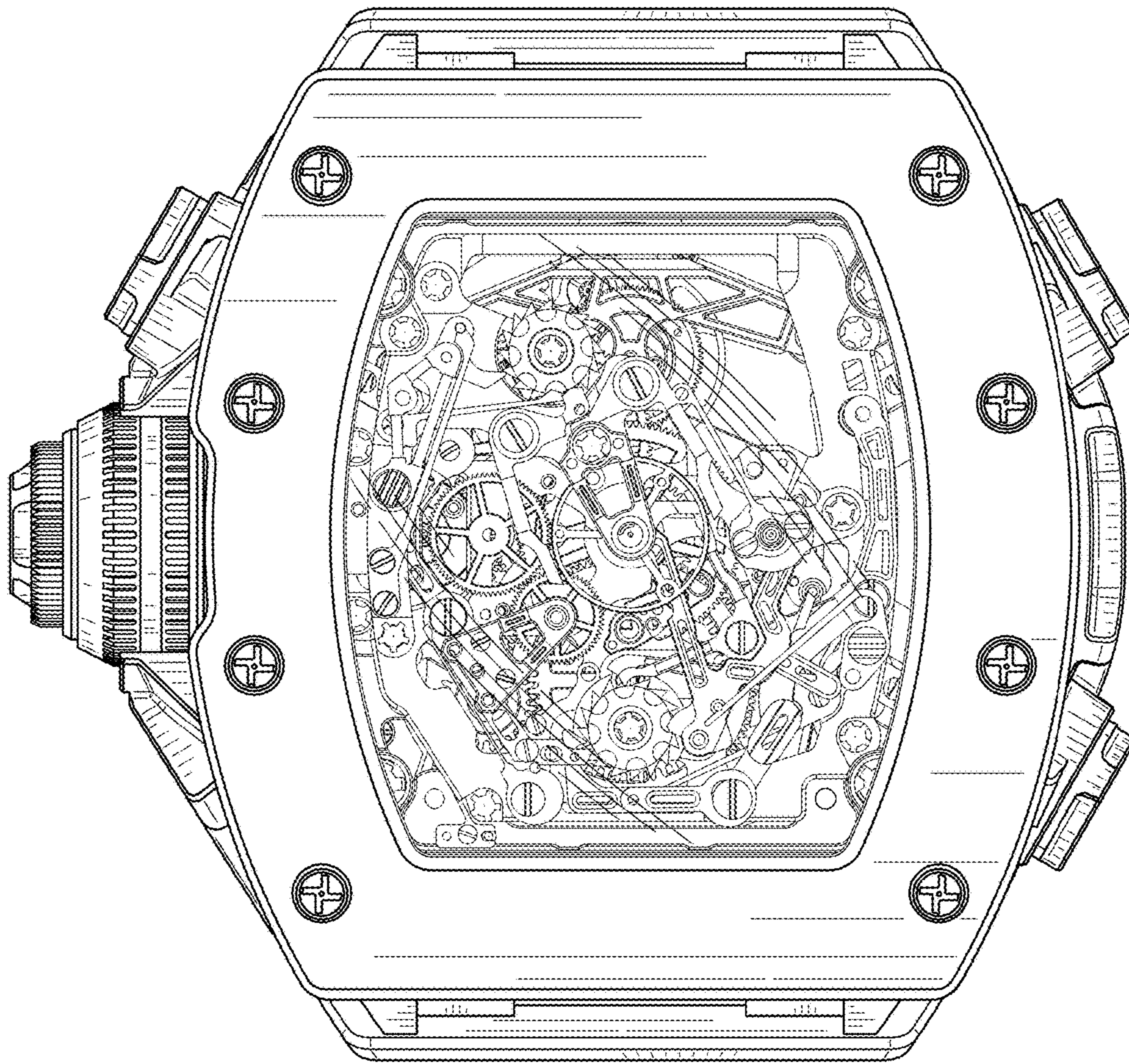


FIG. 4

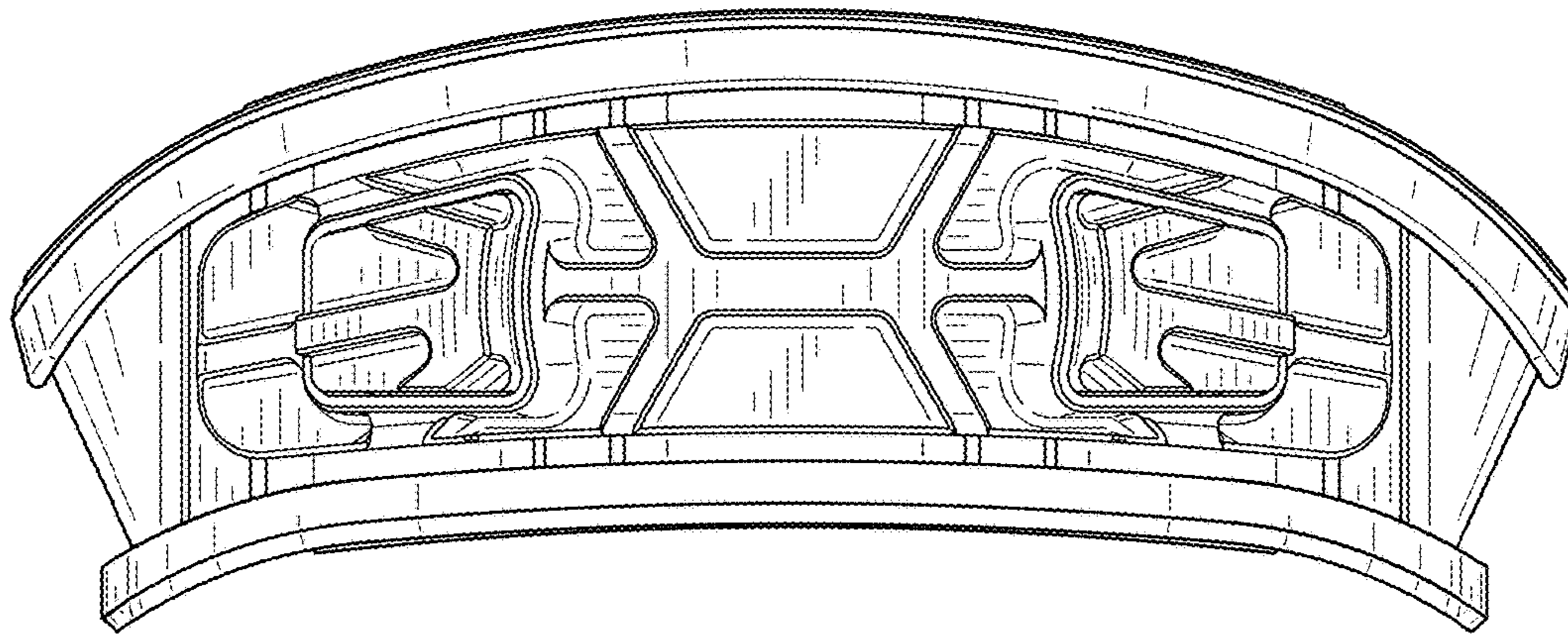


FIG. 5

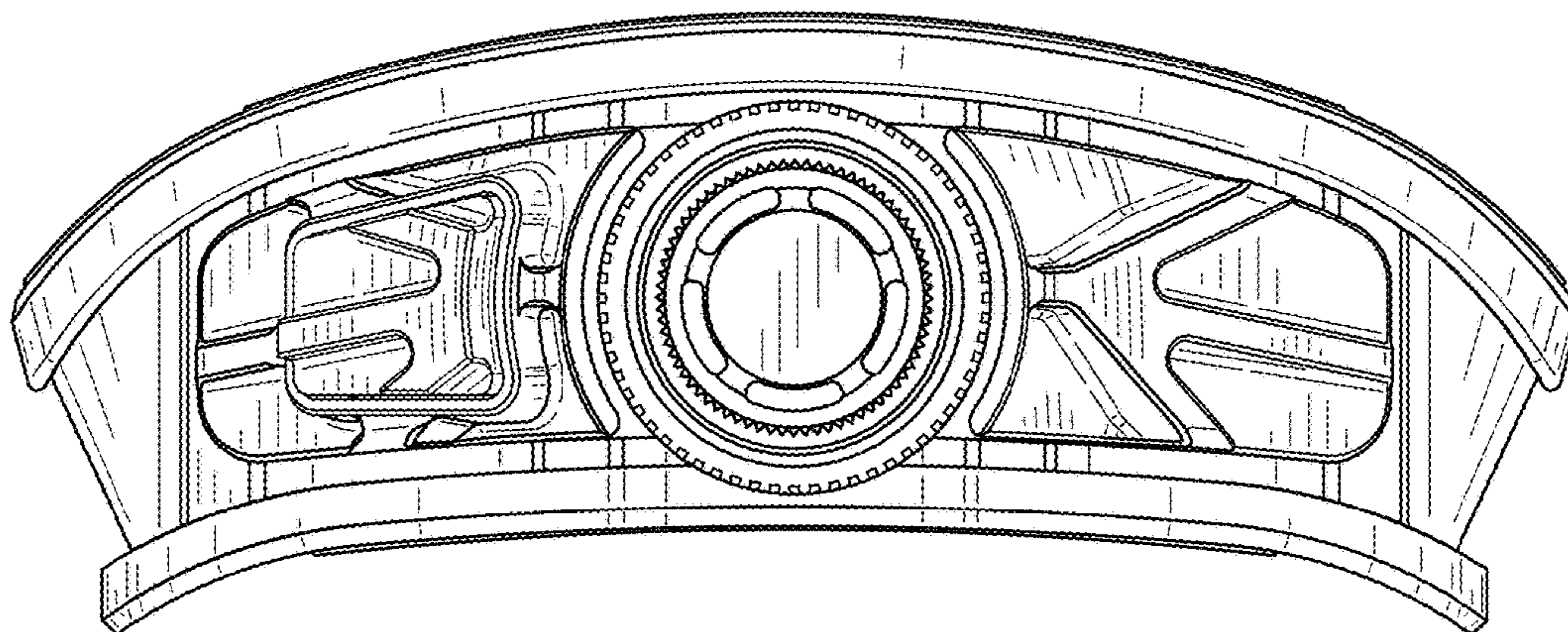


FIG. 6

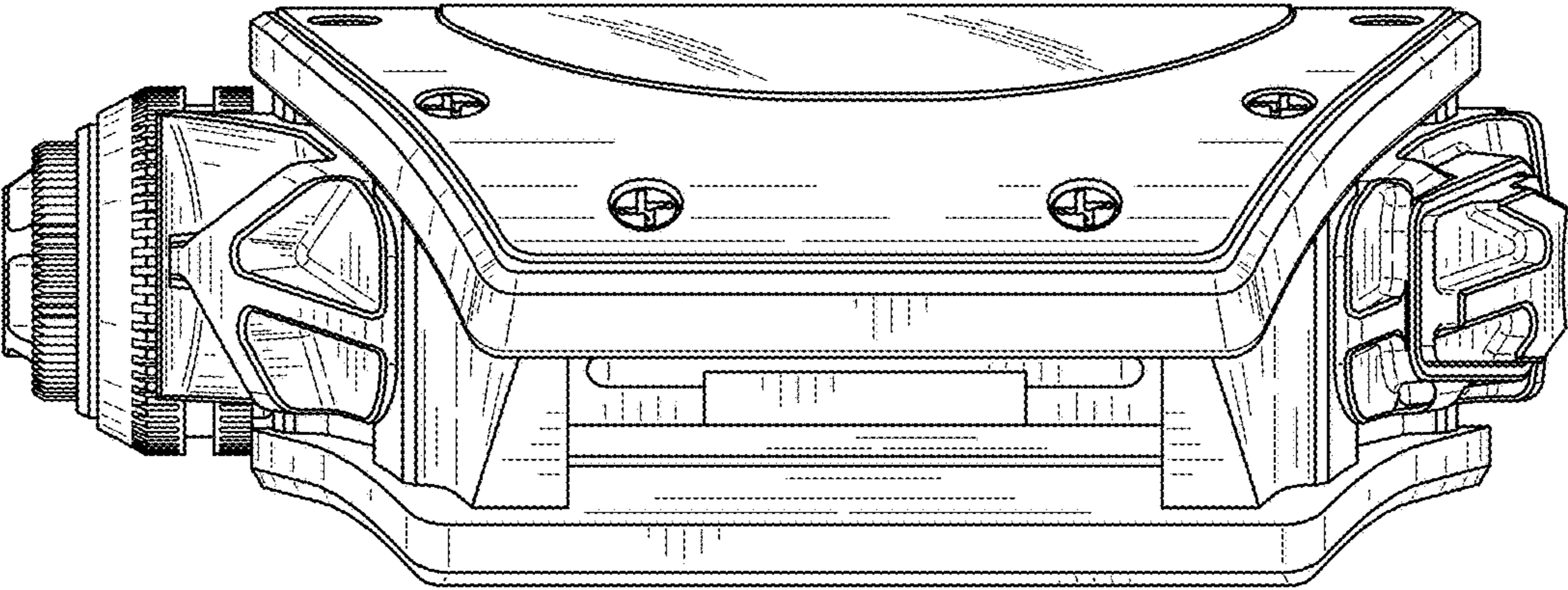


FIG. 7

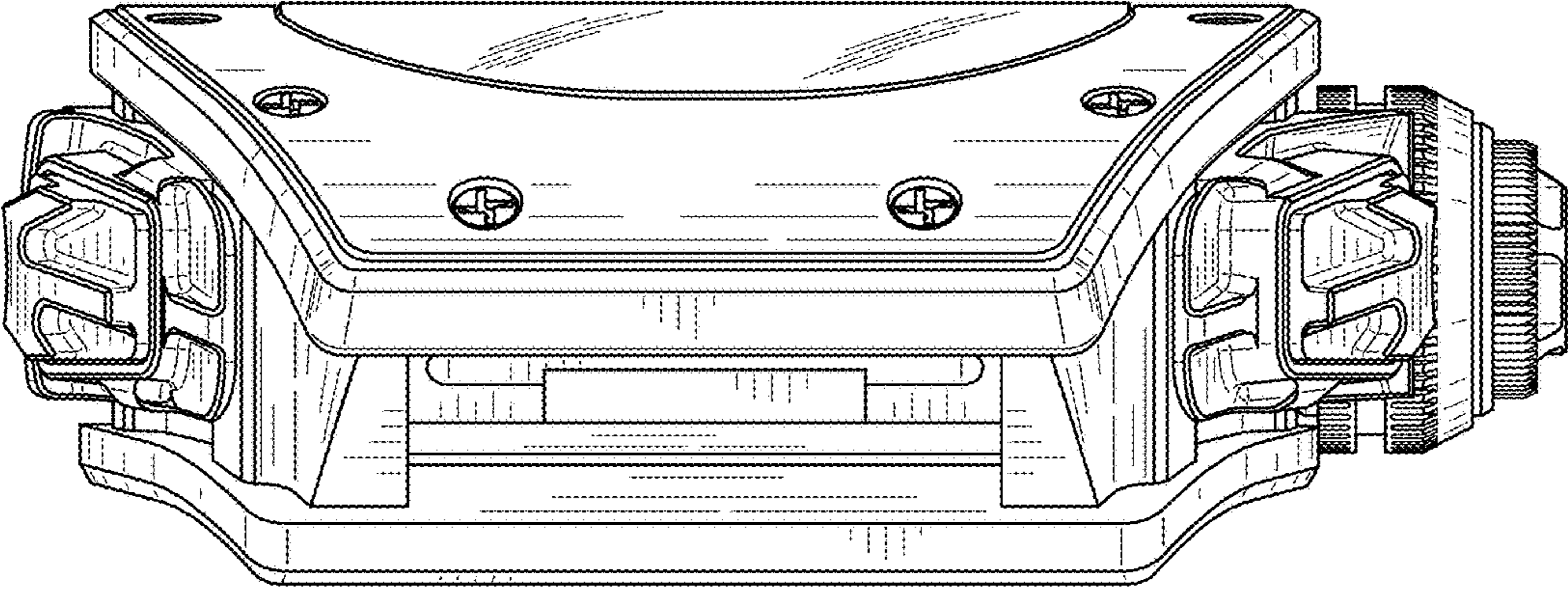


FIG. 8



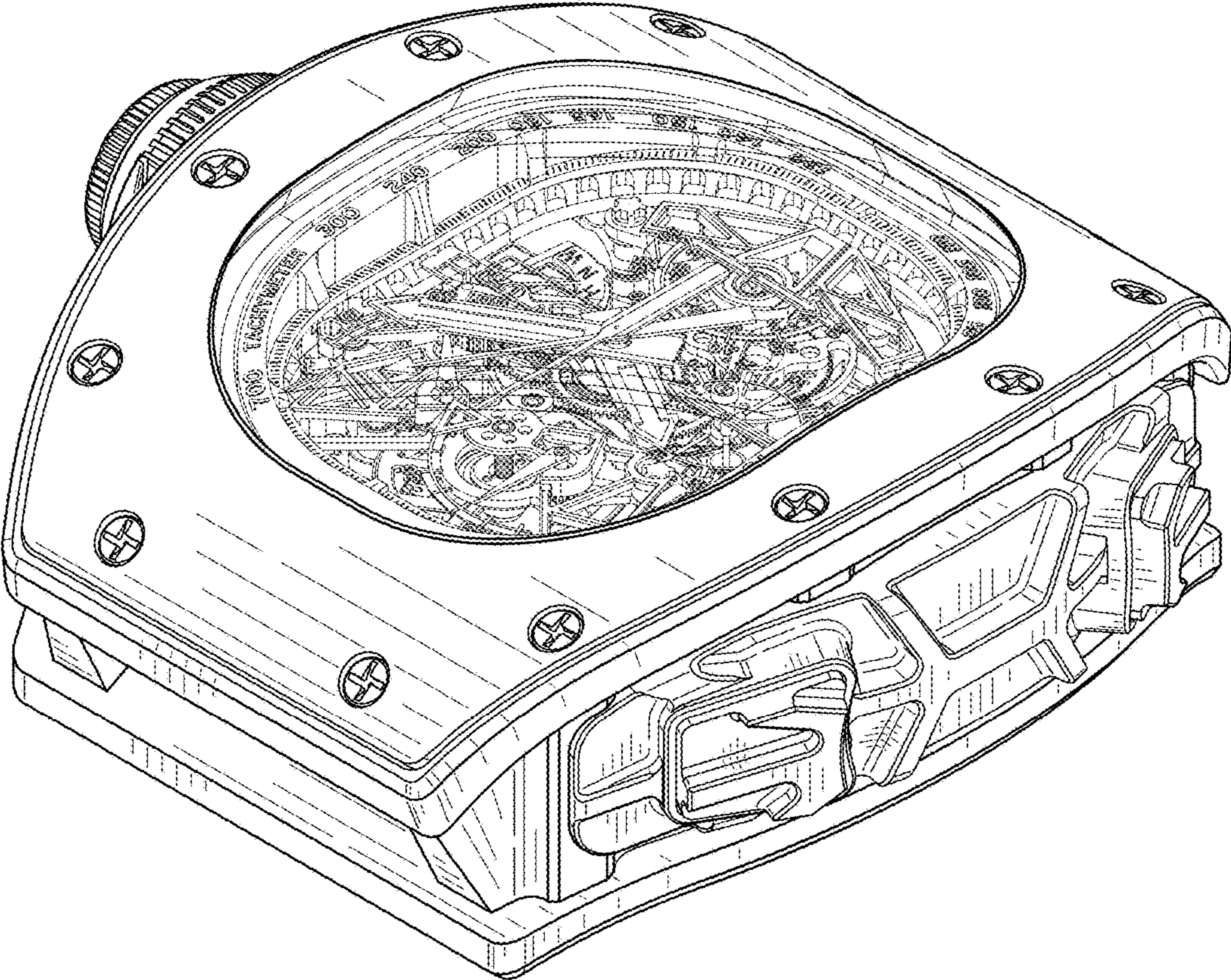


FIG. 9

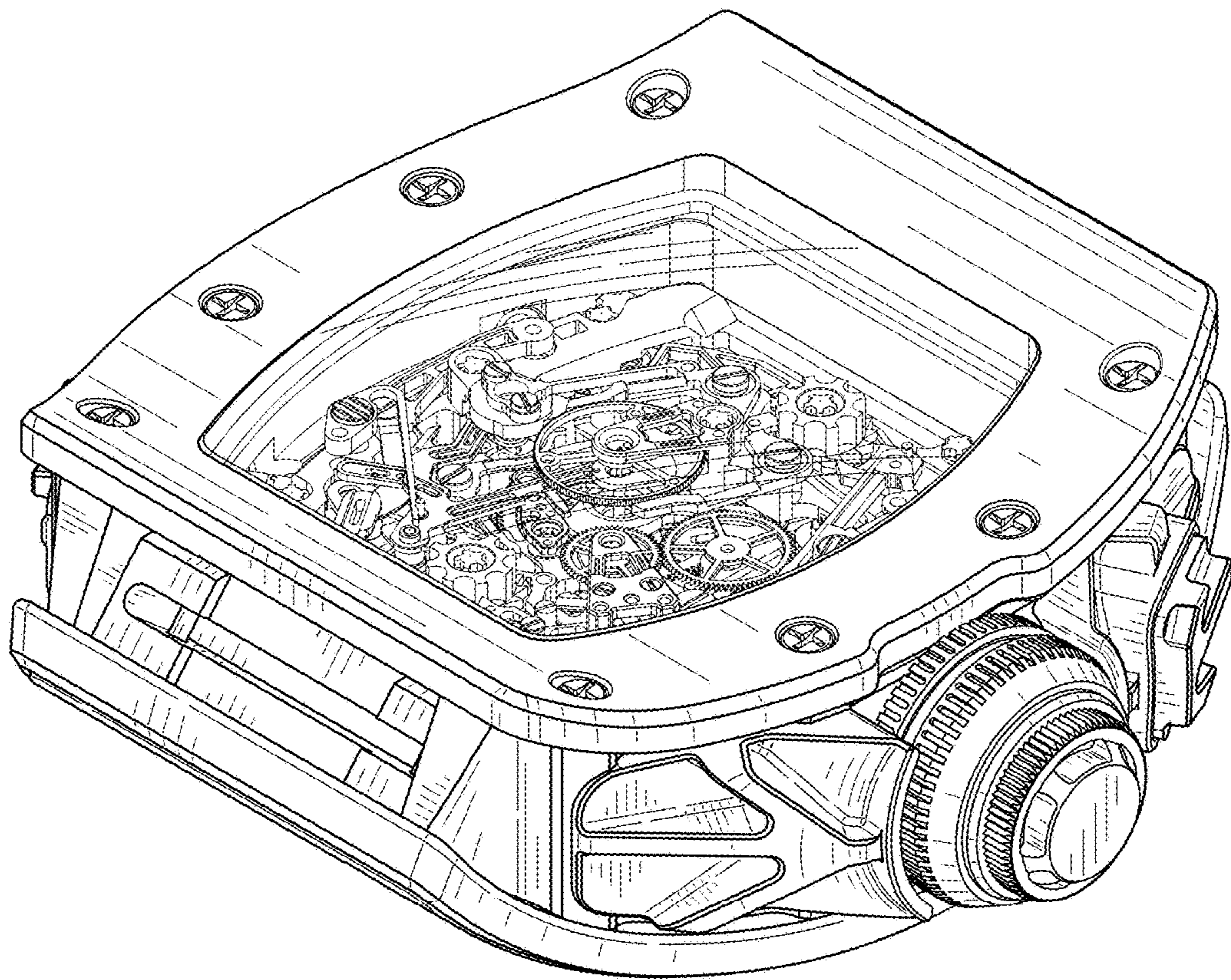


FIG. 10