



US00D789805S

(12) **United States Design Patent**
Koutsolioutsos

(10) **Patent No.:** **US D789,805 S**

(45) **Date of Patent:** **** Jun. 20, 2017**

(54) **WATCH**

(71) Applicant: **Folli-Follie Commercial Manufacturing and Technical Societe Anonyme, Athens (GR)**

(72) Inventor: **Dimitrios Koutsolioutsos, Attica (GR)**

(73) Assignee: **FOLLI-FOLLIE COMMERCIAL MANUFACTURING AND TECHNICAL SOCIETE ANONYME, Athens (GR)**

(**) Term: **14 Years**

(21) Appl. No.: **29/522,998**

(22) Filed: **Apr. 6, 2015**

(51) **LOC (10) Cl.** **10-02**

(52) **U.S. Cl.**
USPC **D10/38**

(58) **Field of Classification Search**
USPC D10/1-41, 122-126, 128, 131, 132;
D13/162.1; D23/245, 246; D16/200,
D16/217, 218, 220; 368/294

CPC A01G 25/00; A01G 25/16; A01G 25/162;
A01G 25/165; B05B 12/00; B05B 12/02;
F16K 31/48; G05D 7/00; G05D 7/06;
G05D 7/0635; G04F 3/00; G04F 3/02;
G04F 7/06; G04B 39/00; G04B 39/002;
G04B 39/004; G04B 39/006; G04B 19/06
See application file for complete search history.

(56) **References Cited**

U.S. PATENT DOCUMENTS

D220,050 S * 3/1971 Yamich D10/124
D237,063 S * 10/1975 Kelman D10/123
D312,580 S * 12/1990 Fong D10/32
D324,825 S * 3/1992 Besson D10/30

D350,288 S * 9/1994 Giardiello D10/30
D351,361 S * 10/1994 Itoh D10/126
D373,957 S * 9/1996 Mareschal D10/30
D383,398 S * 9/1997 Kennedy D10/30
D386,420 S * 11/1997 Kennedy D10/30
D446,731 S * 8/2001 Subilia D10/30
D488,724 S * 4/2004 Bertucci D10/30
D509,447 S * 9/2005 Scheufele D10/39
D624,443 S * 9/2010 Cerrato D10/38
D627,249 S * 11/2010 Dias D10/125
D645,361 S * 9/2011 Parmigiani D10/38
D645,766 S * 9/2011 Bertucci D10/38
D671,429 S * 11/2012 Parmigiani D10/38
D679,611 S * 4/2013 Chastaingt D10/36
D690,615 S * 10/2013 Koutsolioutsos D10/128
D694,655 S * 12/2013 Rufenacht D10/38
D705,675 S * 5/2014 Abdourahim D10/39
D710,732 S * 8/2014 Calvani D10/126
D729,679 S * 5/2015 Graff D10/126
D760,605 S * 7/2016 Koutsolioutsos D10/126
D762,494 S * 8/2016 Galli D10/126

* cited by examiner

Primary Examiner — Sandra Snapp
(74) *Attorney, Agent, or Firm* — Fredrikson & Byron, P.A.

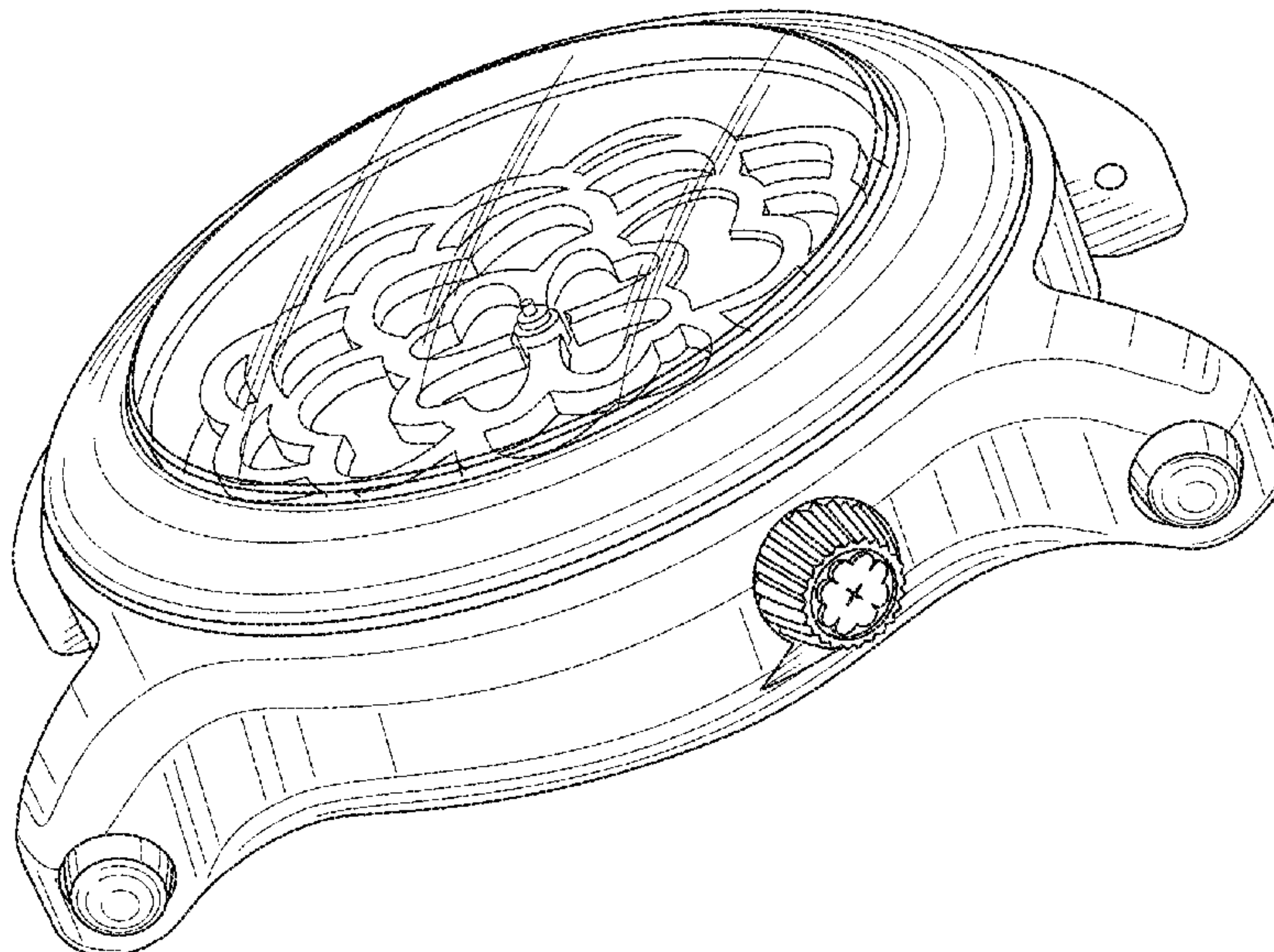
(57) **CLAIM**

I claim the ornamental design for a watch, as shown and described.

DESCRIPTION

FIG. 1 is a perspective view of a watch incorporating my new design;
FIG. 2 is a front elevational view thereof;
FIG. 3 is a top plan view thereof;
FIG. 4 is a bottom plan view thereof;
FIG. 5 is a right side view thereof; and,
FIG. 6 is a left side view thereof.
The rear of the watch is unornamental.

1 Claim, 6 Drawing Sheets



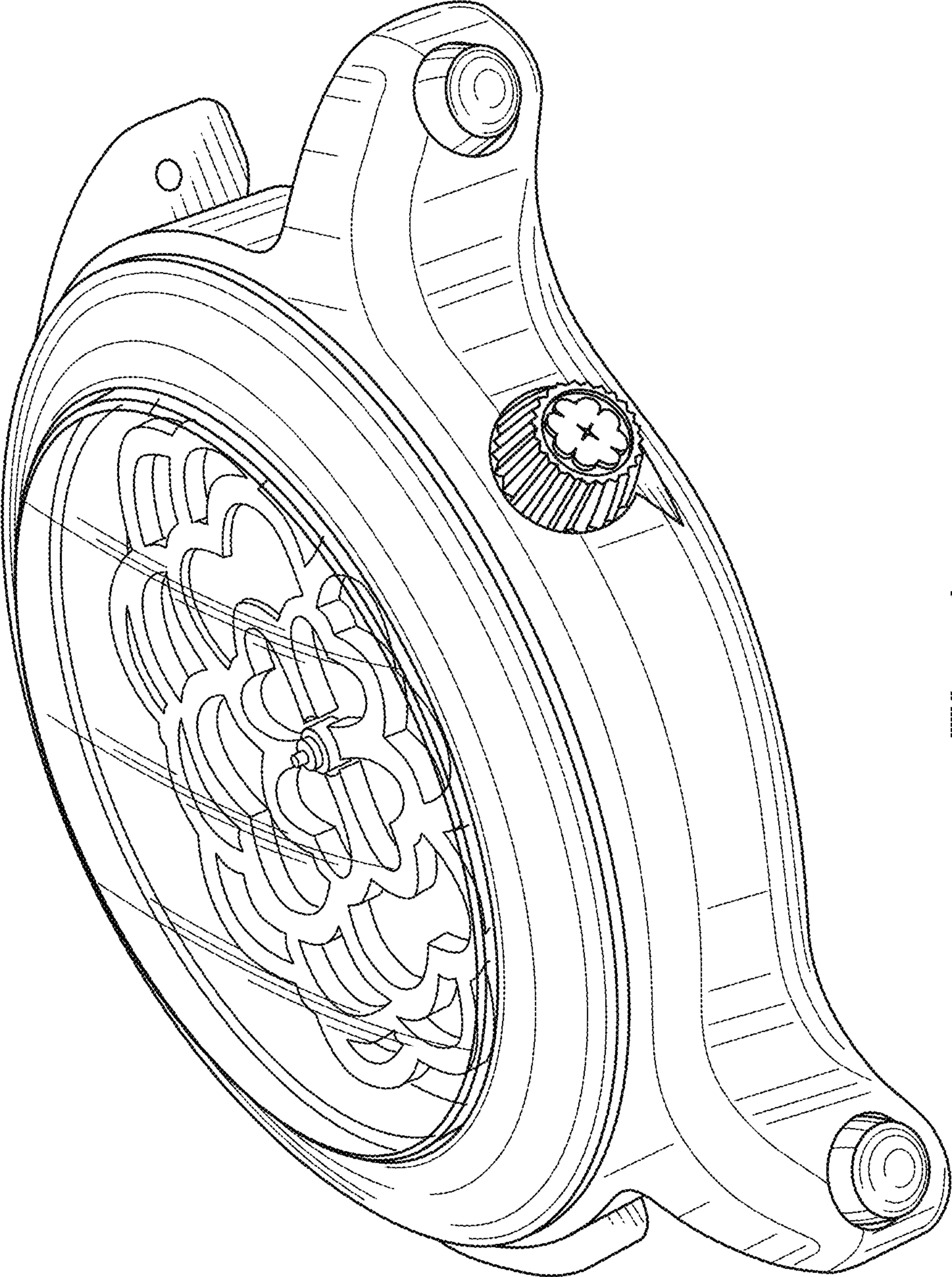


Fig. 1

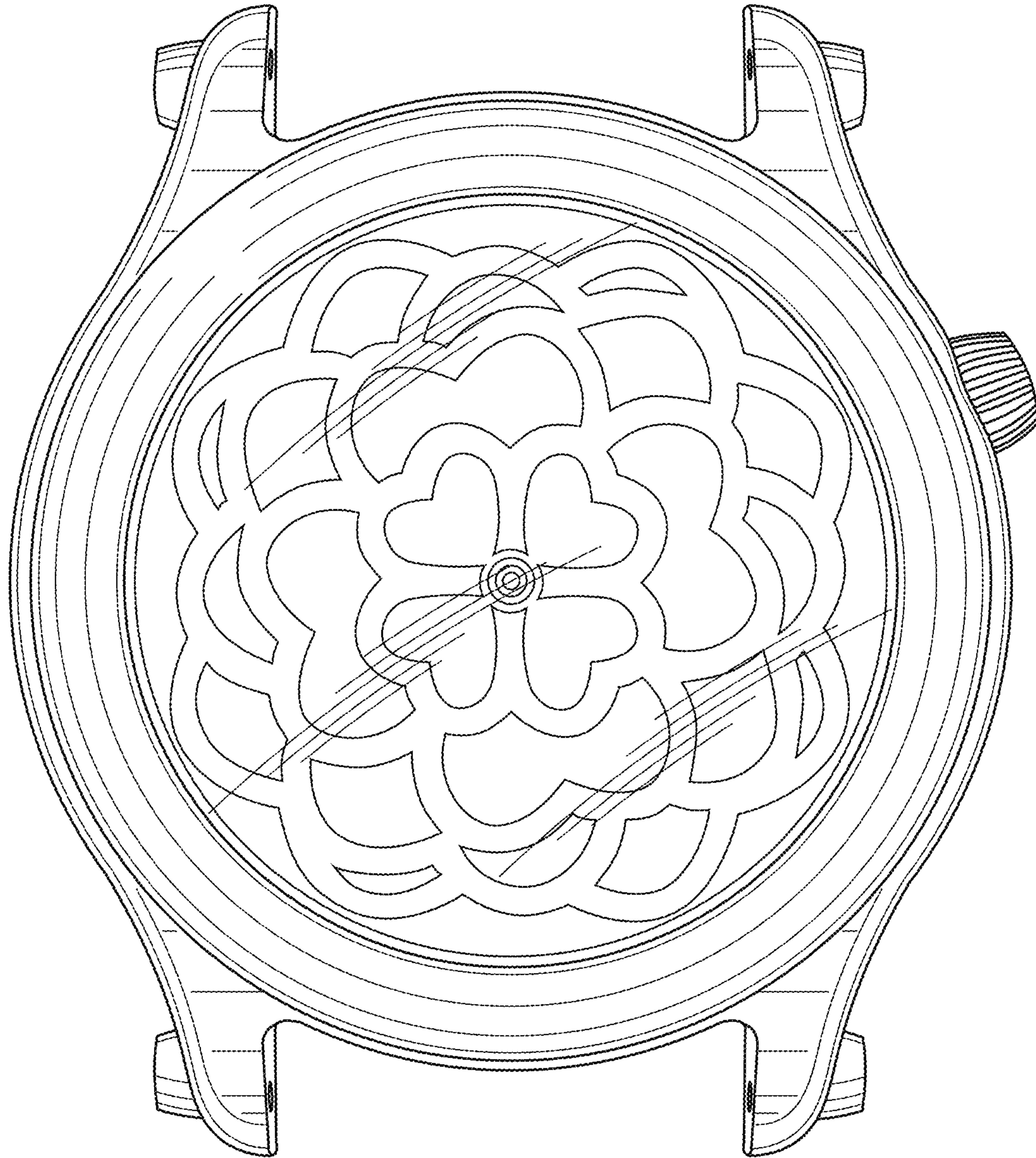


Fig. 2

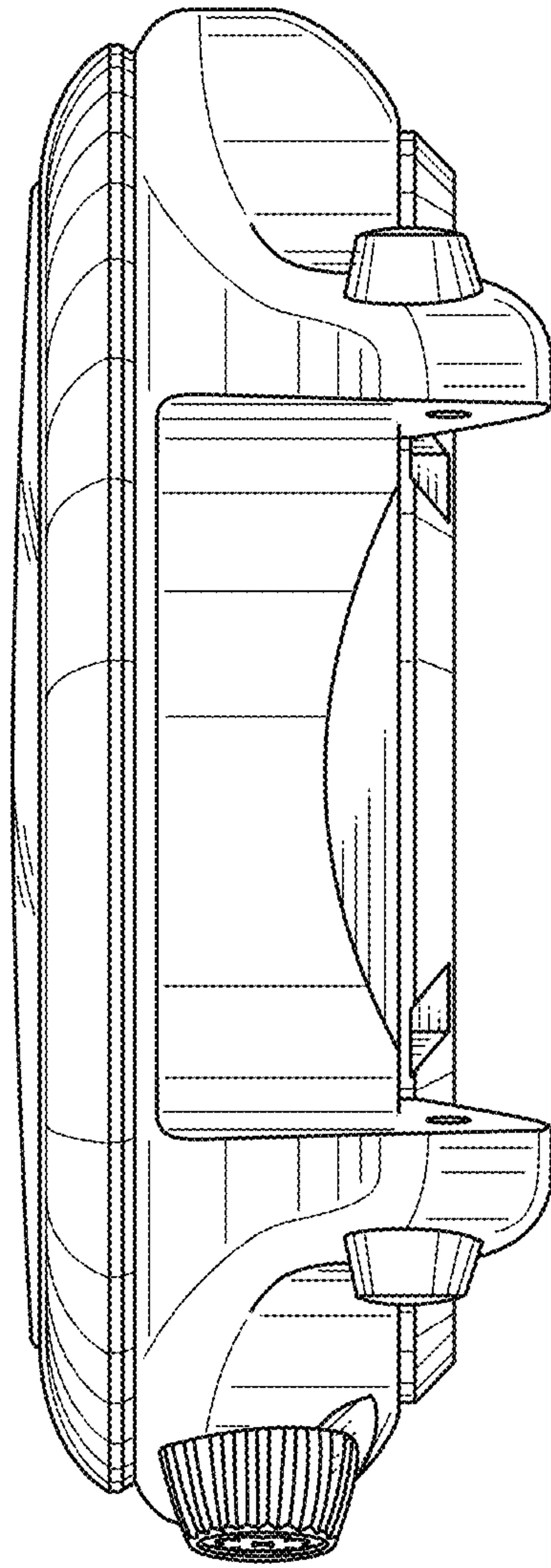


Fig. 3

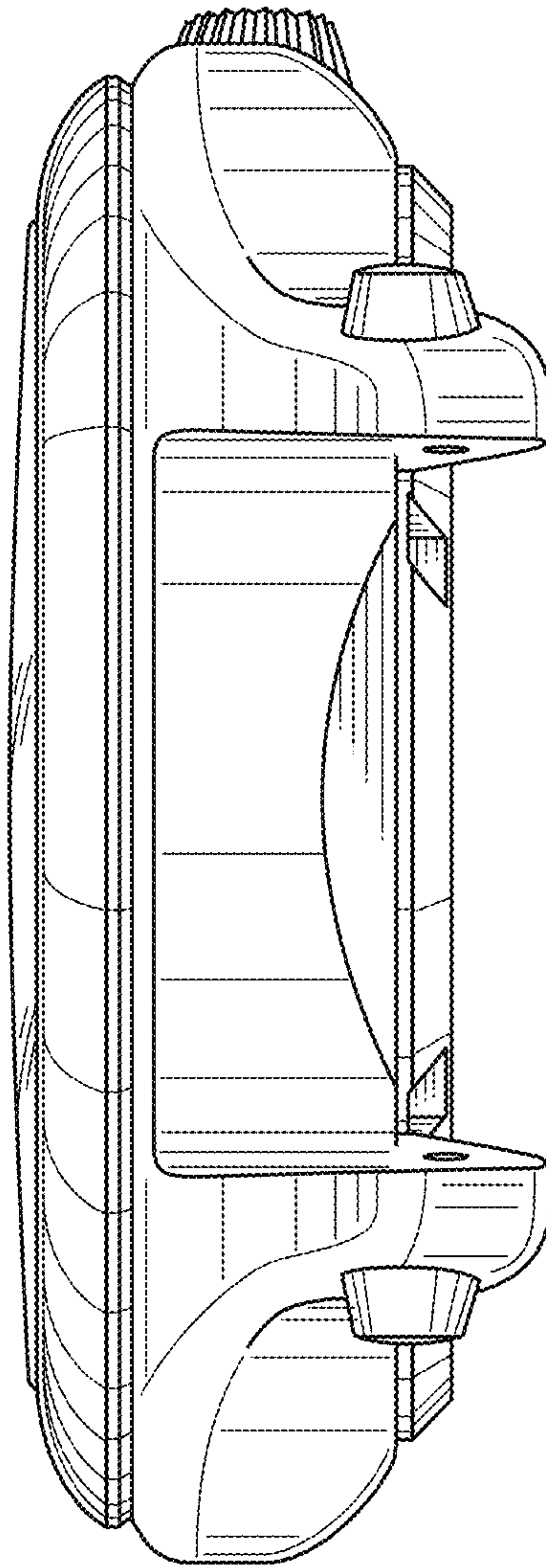


Fig. 4

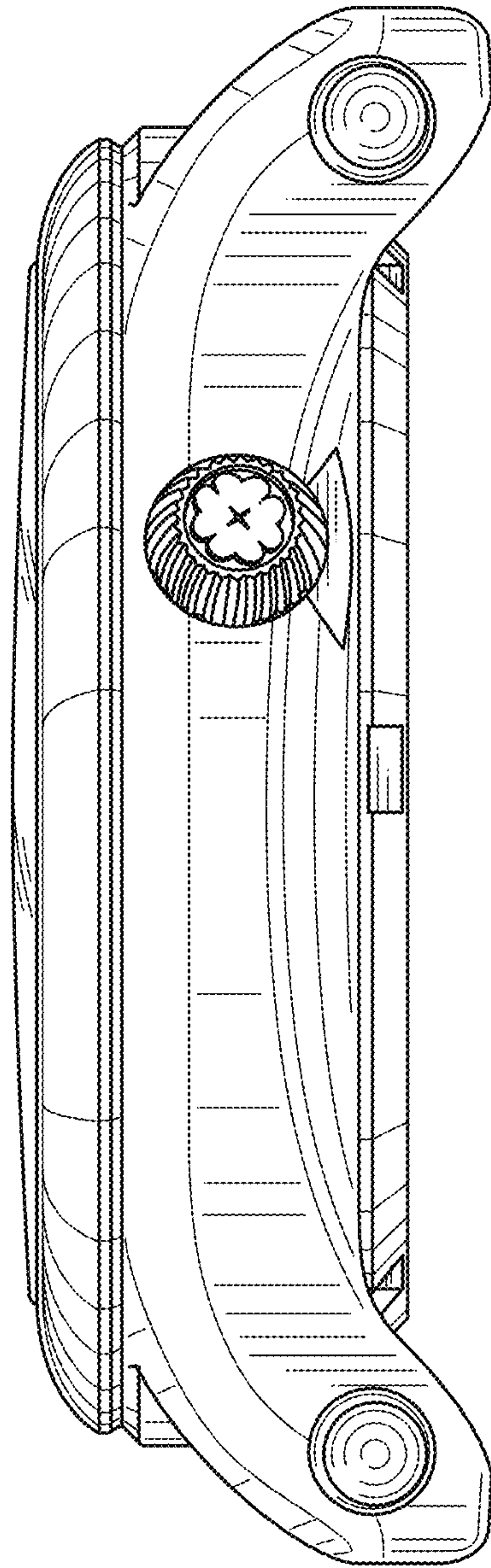


Fig. 5

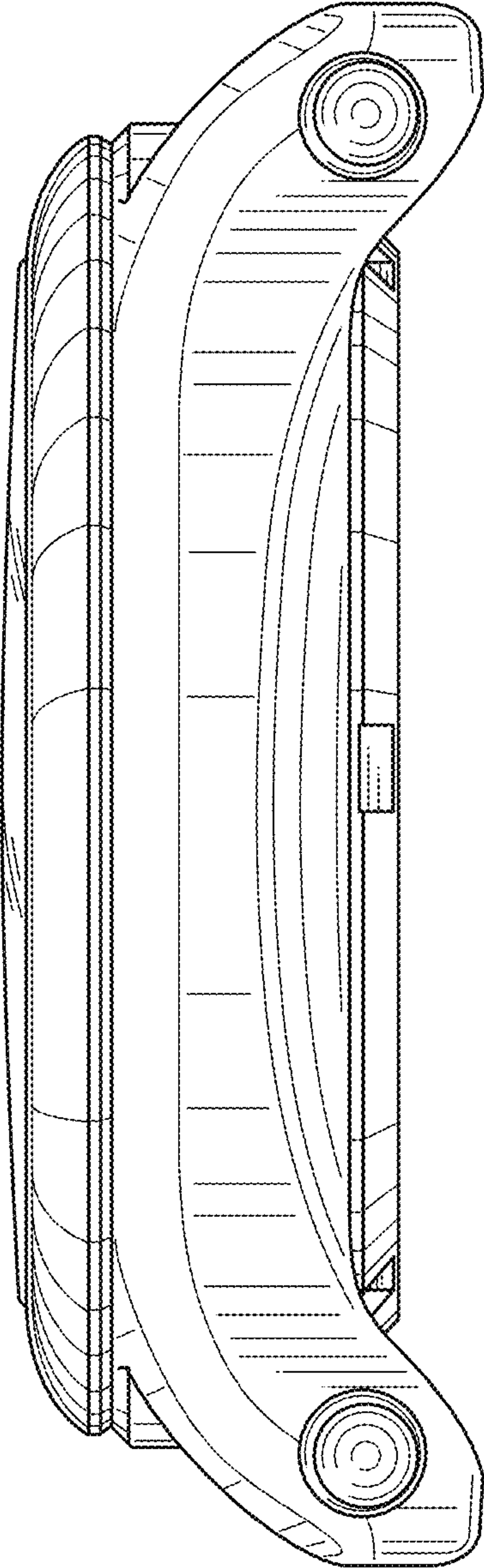


Fig. 6

UNITED STATES PATENT AND TRADEMARK OFFICE
CERTIFICATE OF CORRECTION

PATENT NO. : D789,805 S
APPLICATION NO. : 29/522998
DATED : June 20, 2017
INVENTOR(S) : Dimitrios Koutsolioutsos

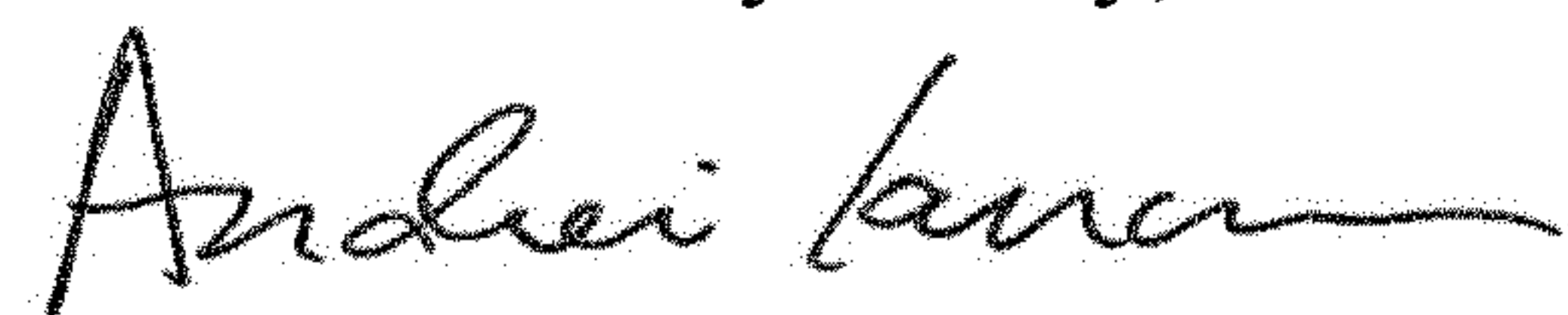
Page 1 of 1

It is certified that error appears in the above-identified patent and that said Letters Patent is hereby corrected as shown below:

On the Title Page

Please add the priority claim:
(30) Foreign Application Priority Data
Jan. 7, 2015 (EM) 002609636

Signed and Sealed this
Thirtieth Day of July, 2019



Andrei Iancu
Director of the United States Patent and Trademark Office