



US00D789799S

(12) **United States Design Patent** (10) **Patent No.:** **US D789,799 S**
Kiechel et al. (45) **Date of Patent:** **** Jun. 20, 2017**

(54) **POUCH FOR JUICING**
(71) Applicant: **Juicero, Inc.**, San Francisco, CA (US)
(72) Inventors: **John Kiechel**, Oakland, CA (US);
Kristine Arth, San Francisco, CA (US)

D617,654 S * 6/2010 Tawinsook D9/702
D707,134 S * 6/2014 Simpson D9/709
8,985,395 B2 3/2015 Tansey
D744,352 S * 12/2015 Quarles D9/707
D769,731 S * 10/2016 Allen D9/708
2015/0183627 A1 7/2015 Tansey

(73) Assignee: **Juicero, Inc.**, San Francisco, CA (US)

FOREIGN PATENT DOCUMENTS

(**) Term: **15 Years**

JP 982436 6/1997
JP 2011-084344 A 4/2011
JP 1442566 6/2012
KR 105537 8/1990
KR 153824-5 8/1994

(21) Appl. No.: **29/556,773**

* cited by examiner

(22) Filed: **Mar. 3, 2016**

(51) **LOC (10) Cl.** **09-05**

(52) **U.S. Cl.**
USPC **D9/707**

Primary Examiner — Abraham Bahta
(74) *Attorney, Agent, or Firm* — Wolf, Greenfield & Sacks, P.C.

(58) **Field of Classification Search**
USPC D9/702-714, 443, 447, 499, 516-517,
D9/523, 524, 526, 528, 530, 719, 572;
D24/118, 207, 108; 383/6, 9, 22, 96,
383/61.1, 80-81, 104, 901, 63, 203, 107,
383/119-120, 123, 61.2, 44; 220/675,
220/495.03, 200, 288; 215/381-385, 400,
215/328, 316, 200, 217; 206/484;
D3/202; 428/34.3, 35.2; 222/92, 215,
222/95, 107; 604/408, 403, 415
CPC B65D 35/00; B65D 35/08; B65D 11/00;
B65D 11/04; B65D 1/00; B65D 1/02;
B65D 1/023; B65D 1/32; B65D 33/00;
B65D 33/02; B65D 33/04; B65D 33/24
See application file for complete search history.

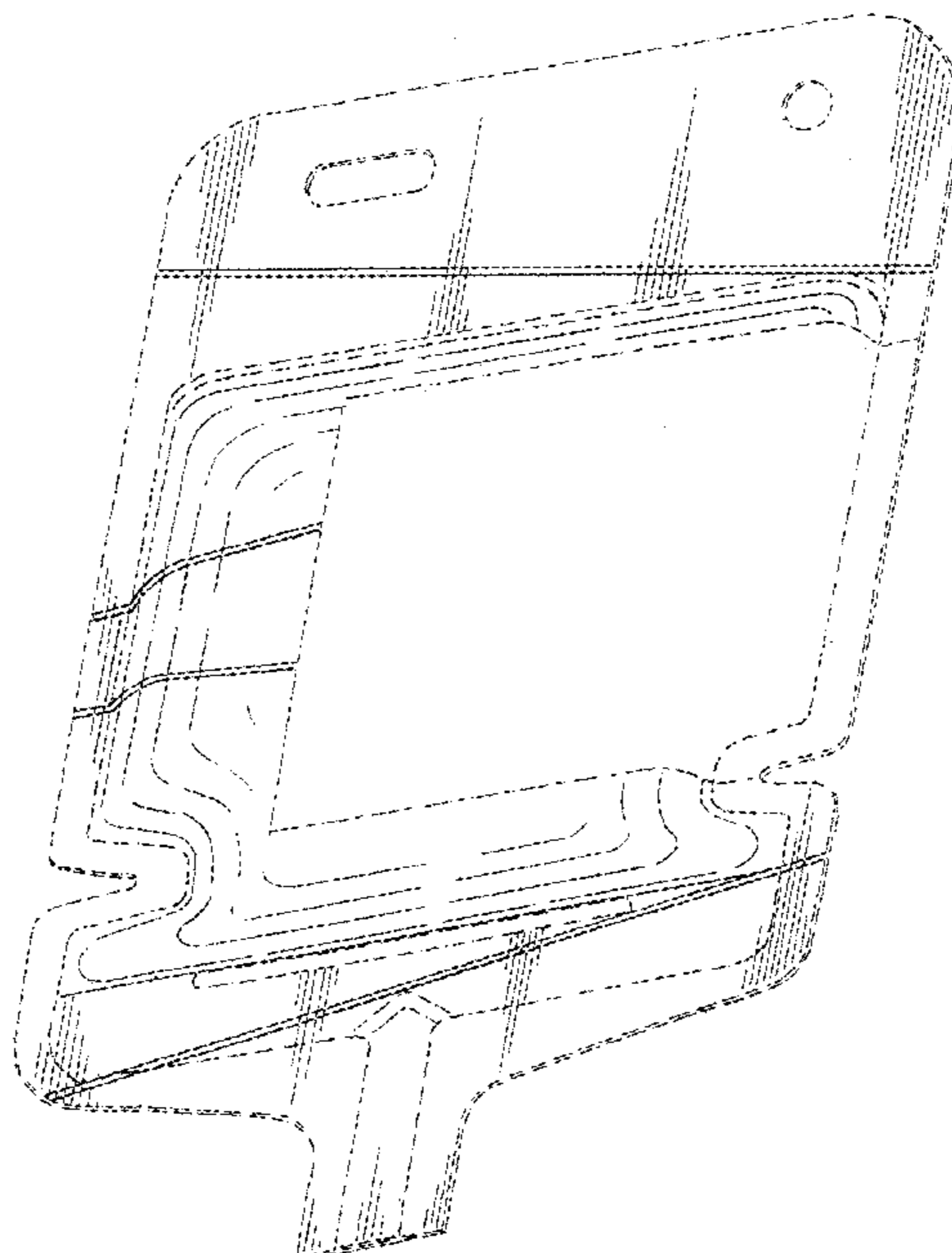
(57) **CLAIM**
The ornamental design for a pouch for juicing, as shown and described.

DESCRIPTION

FIG. 1 is a bottom, front, right side perspective view of a pouch for juicing showing our new design; FIG. 2 is a front elevation view thereof; FIG. 3 is a rear elevation view thereof; FIG. 4 is a left side elevation view thereof; FIG. 5 is a right side elevation view thereof; FIG. 6 is a top plan view thereof; and, FIG. 7 is a bottom plan view thereof. The broken lines represent portions of the pouch for juicing that form no part of the claimed design. The dot-dash broken lines represent a borders of the claimed design, and form no part of the claimed design.

(56) **References Cited**
U.S. PATENT DOCUMENTS
D436,848 S 1/2001 Berman
6,196,420 B1 3/2001 Gutierrez et al.

1 Claim, 5 Drawing Sheets



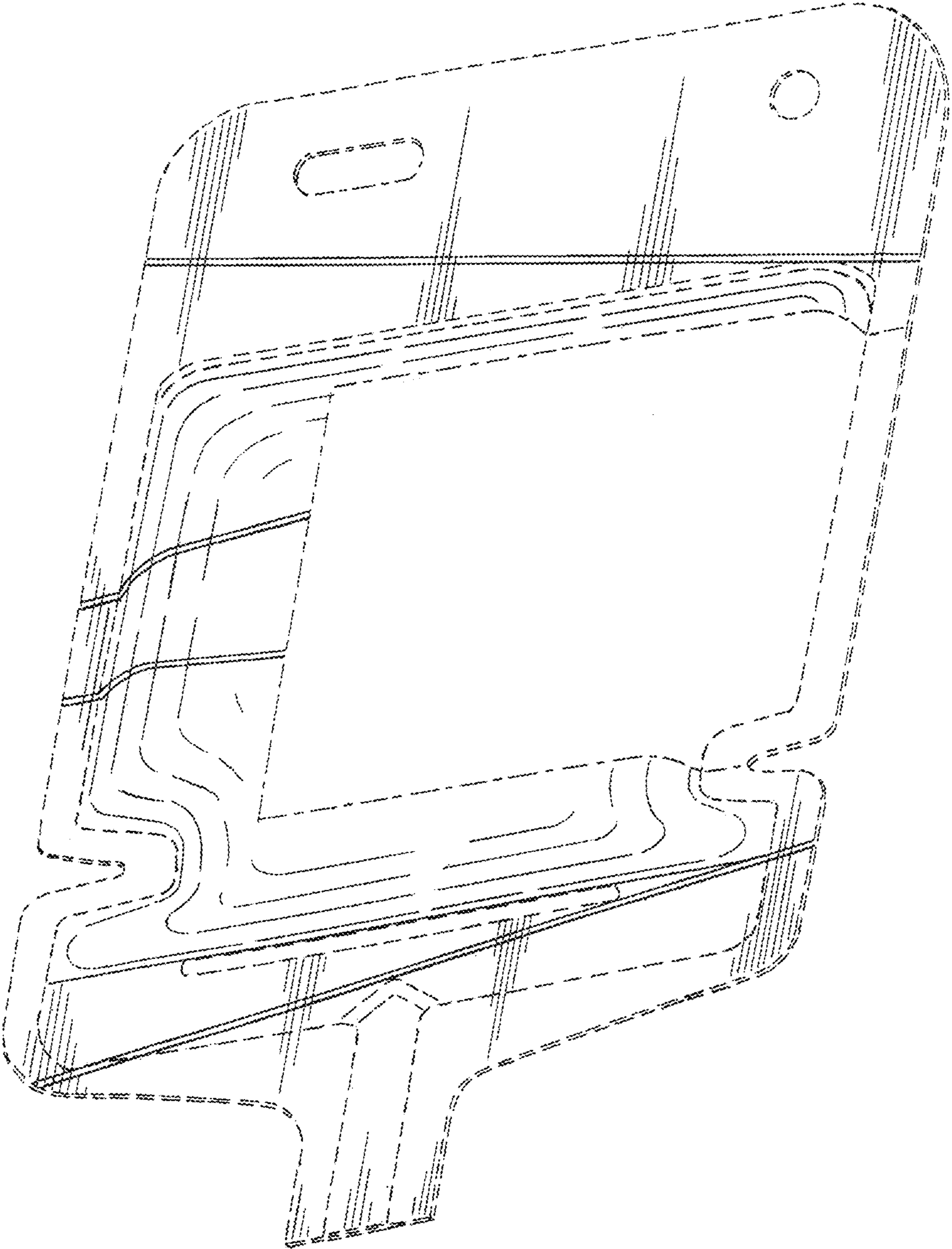


Fig. 1

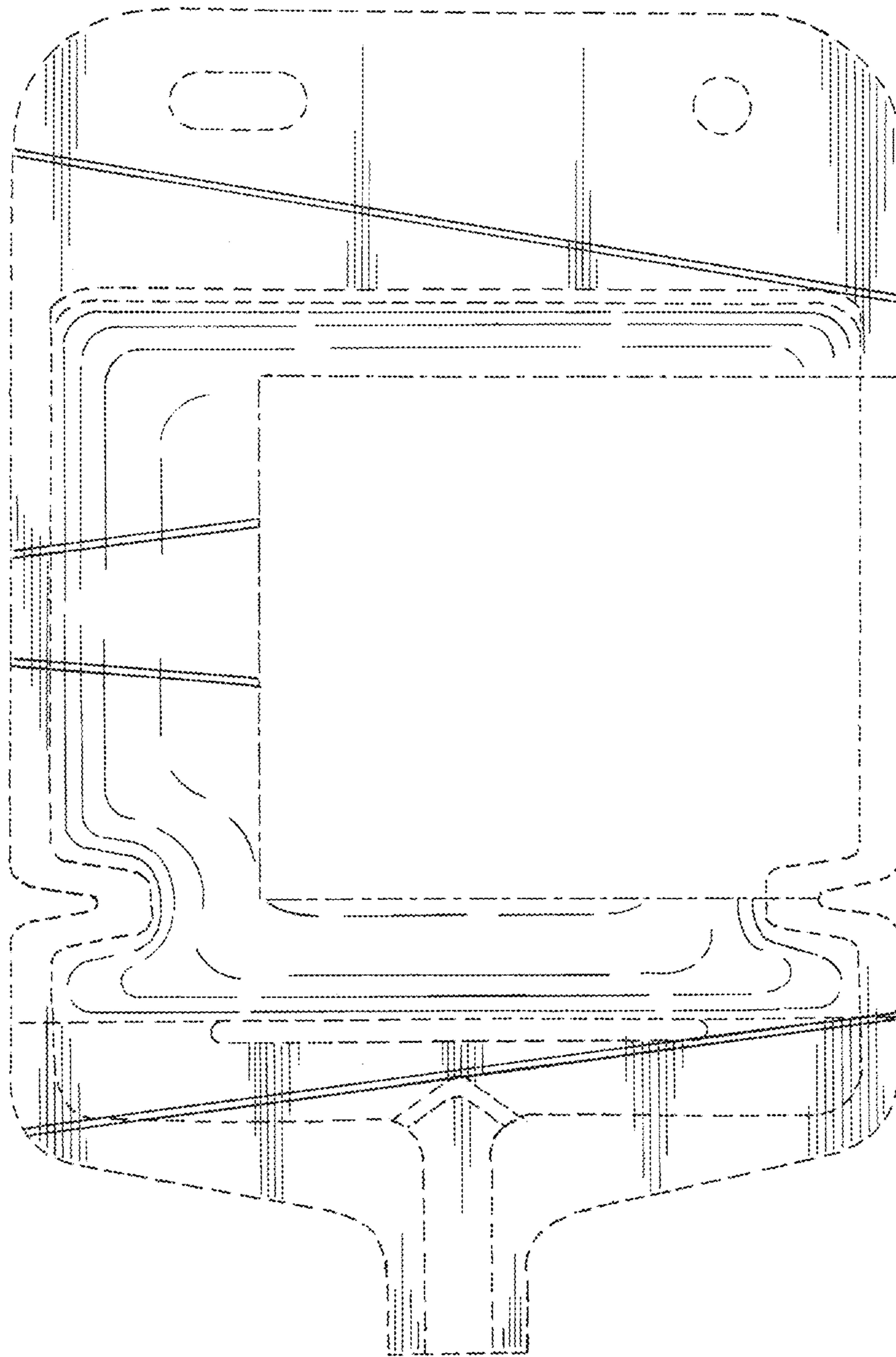


Fig. 2

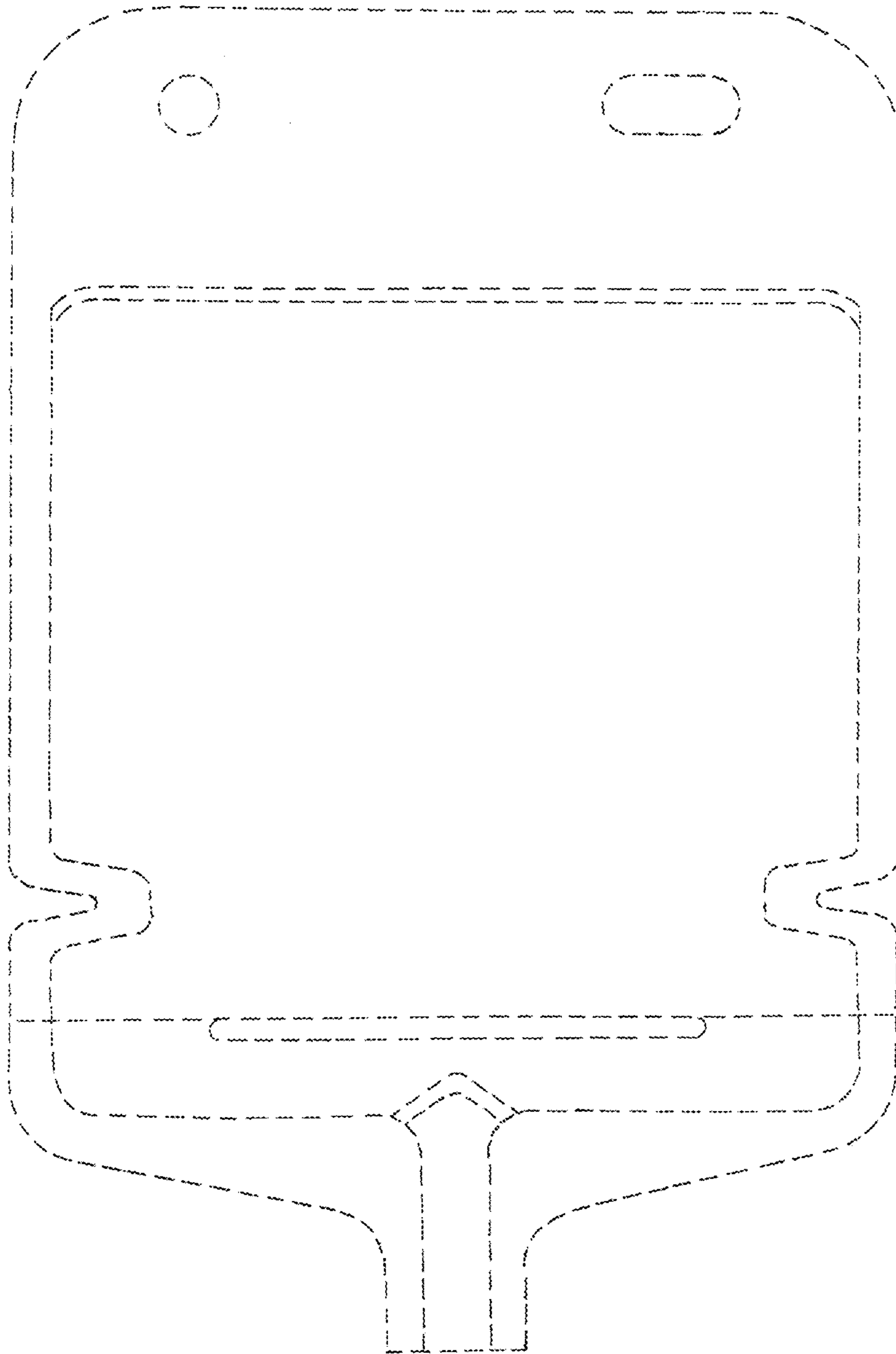


Fig. 3

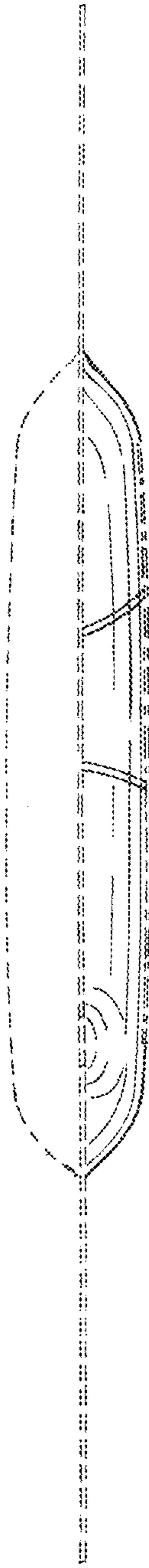


Fig. 4

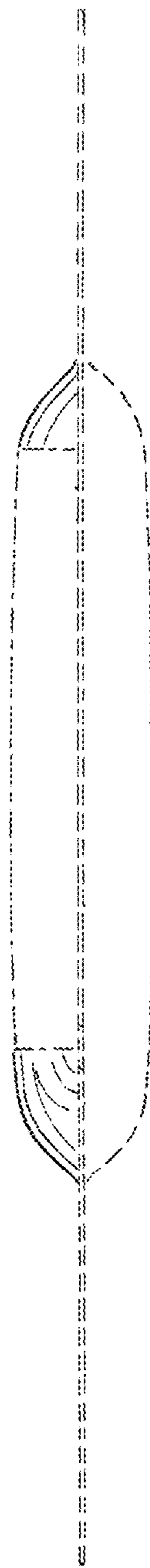


Fig. 5

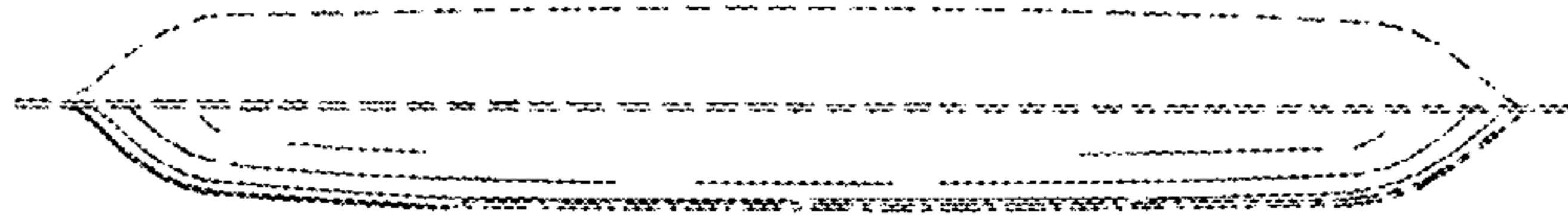


Fig. 6

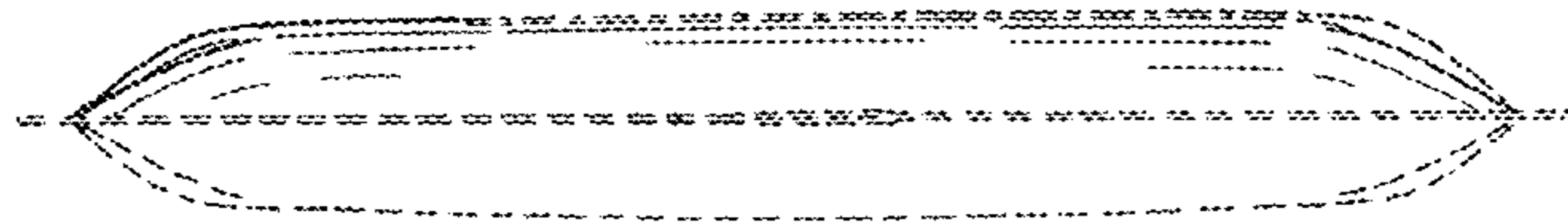


Fig. 7