



US00D789798S

(12) **United States Design Patent**
Haddad

(10) **Patent No.:** **US D789,798 S**

(45) **Date of Patent:** **** Jun. 20, 2017**

(54) **CONTAINER**

(71) Applicant: **L'atelier Brands Inc.**, George Town (KY)

(72) Inventor: **Firas Haddad**, Dubai (AE)

(73) Assignee: **L'Atelier Brands Inc.**, George Town, Grand Cayman (KY)

(**) Term: **15 Years**

(21) Appl. No.: **29/552,703**

(22) Filed: **Jan. 25, 2016**

(51) **LOC (10) Cl.** **09-01**

(52) **U.S. Cl.**
USPC **D9/652; D9/667; D9/429; D9/737**

(58) **Field of Classification Search**
USPC D9/600, 652, 655-664, 667, 669, 737, D9/761, 414-429, 434-435, 451; 206/457, 494, 459.5, 501-509, 527, 540; 229/116.1; 446/77; 215/381-384, 400; D7/514-516, 539, 543-544, 551.1, 571, D7/579, 604, 613, 619.2, 628-630, D7/391-392.1; D3/270-271.3
CPC B65D 67/00; B65D 81/36; B65D 81/60; B65D 81/368; B65D 2203/00; B65D 2203/02; A63H 33/16

See application file for complete search history.

(56) **References Cited**

U.S. PATENT DOCUMENTS

D391,850 S	*	3/1998	Krupa	D9/425
D415,025 S	*	10/1999	McCann	D7/629
D448,620 S	*	10/2001	Neal	D7/514
D451,379 S	*	12/2001	Tang	D9/667
D467,125 S	*	12/2002	Orr	D7/541
D467,497 S	*	12/2002	Liu	D7/542
D505,082 S	*	5/2005	Bruce	D9/429

D584,108 S	*	1/2009	Olsson	D9/425
D612,266 S	*	3/2010	Kaminski	D9/600
D643,311 S	*	8/2011	Meyers	D9/761
D644,512 S	*	9/2011	Marotti	D9/434
D644,513 S	*	9/2011	Marotti	D9/434
D651,510 S	*	1/2012	Anderson	D9/434
D664,844 S	*	8/2012	Hale	D9/425
D674,689 S	*	1/2013	Chen	D9/429
D681,449 S	*	5/2013	Snedden	D9/429
D743,253 S	*	11/2015	Kui	D9/429

* cited by examiner

Primary Examiner — Sandra Morris

(74) *Attorney, Agent, or Firm* — Hankin Patent Law, APC; Kevin Schraven; Anooj Patel

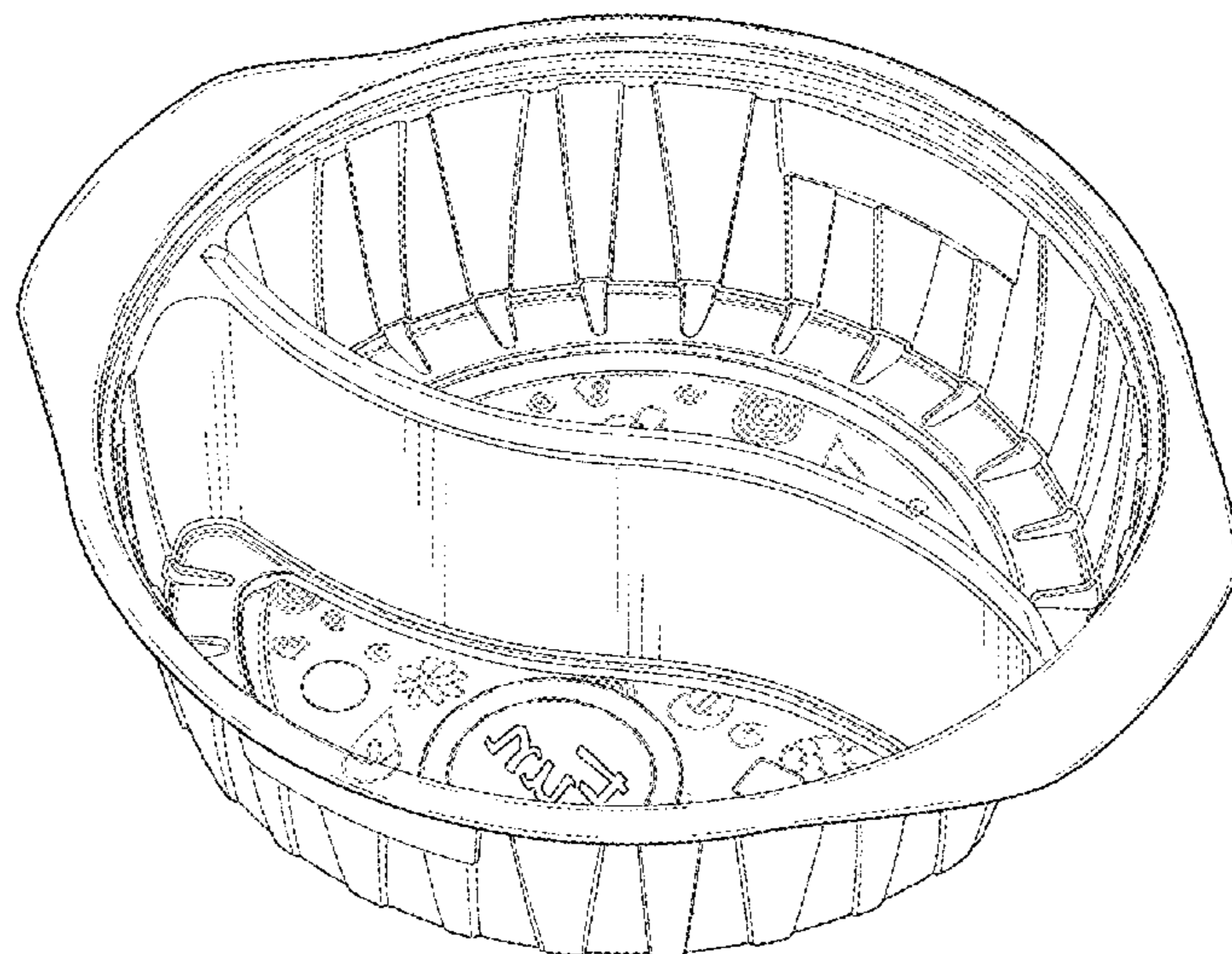
(57) **CLAIM**

The ornamental design for a container, as shown and described.

DESCRIPTION

FIG. 1 is a top perspective view of a first embodiment of a container, showing my new design.
 FIG. 2 is a bottom perspective view thereof.
 FIG. 3 is a top plan view thereof.
 FIG. 4 is a bottom plan view thereof.
 FIG. 5 is a front elevational view thereof.
 FIG. 6 is a rear elevational view thereof.
 FIG. 7 is a left side view thereof.
 FIG. 8 is a right side view thereof.
 FIG. 9 is a top perspective view of a second embodiment of the container, showing my new design.
 FIG. 10 is a bottom perspective view thereof.
 FIG. 11 is a top plan view thereof.
 FIG. 12 is a bottom plan view thereof.
 FIG. 13 is a front elevational view thereof.
 FIG. 14 is a rear elevational view thereof.
 FIG. 15 is a left side view thereof; and,
 FIG. 16 is a right side view thereof.

1 Claim, 16 Drawing Sheets



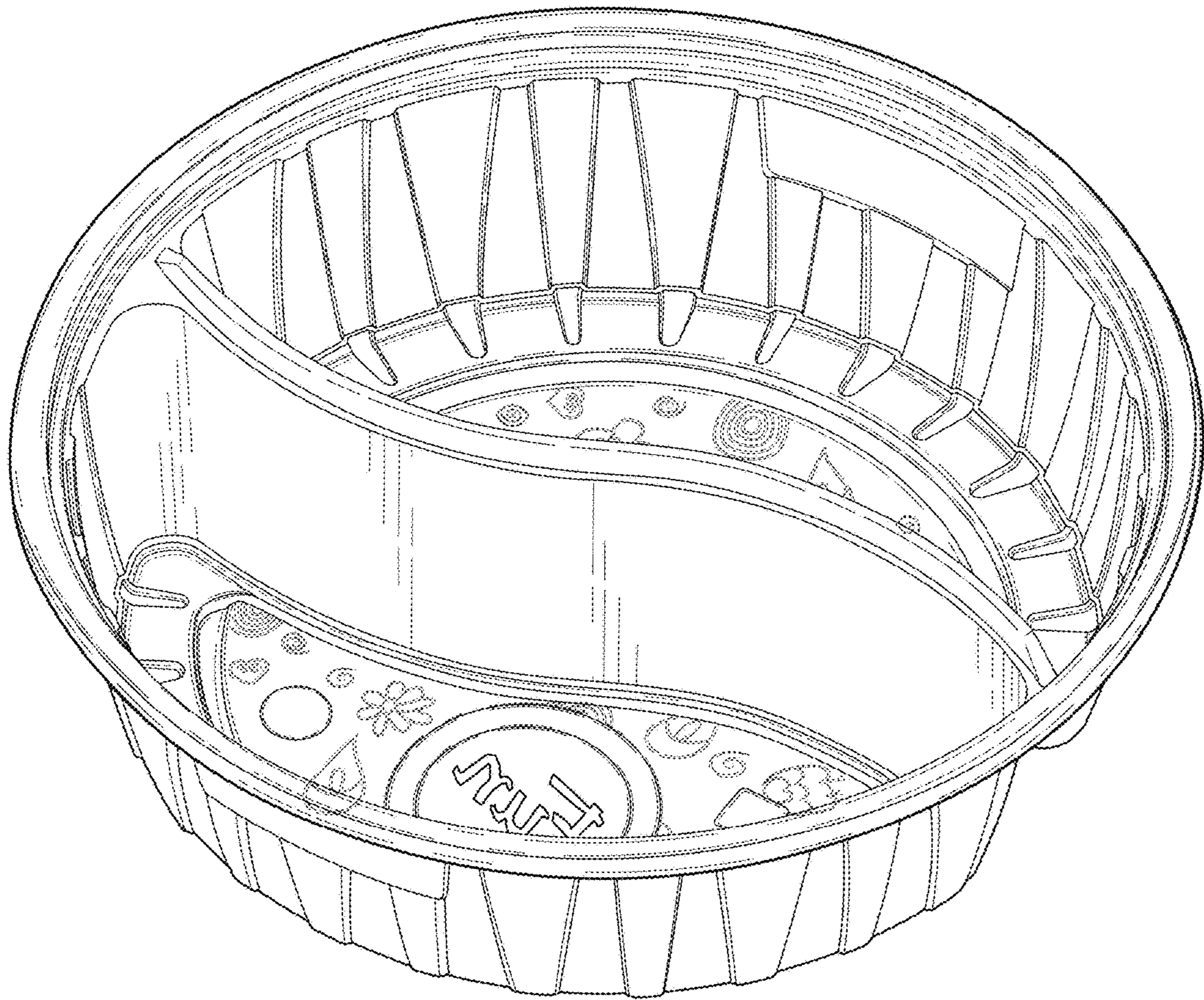


Fig. 1

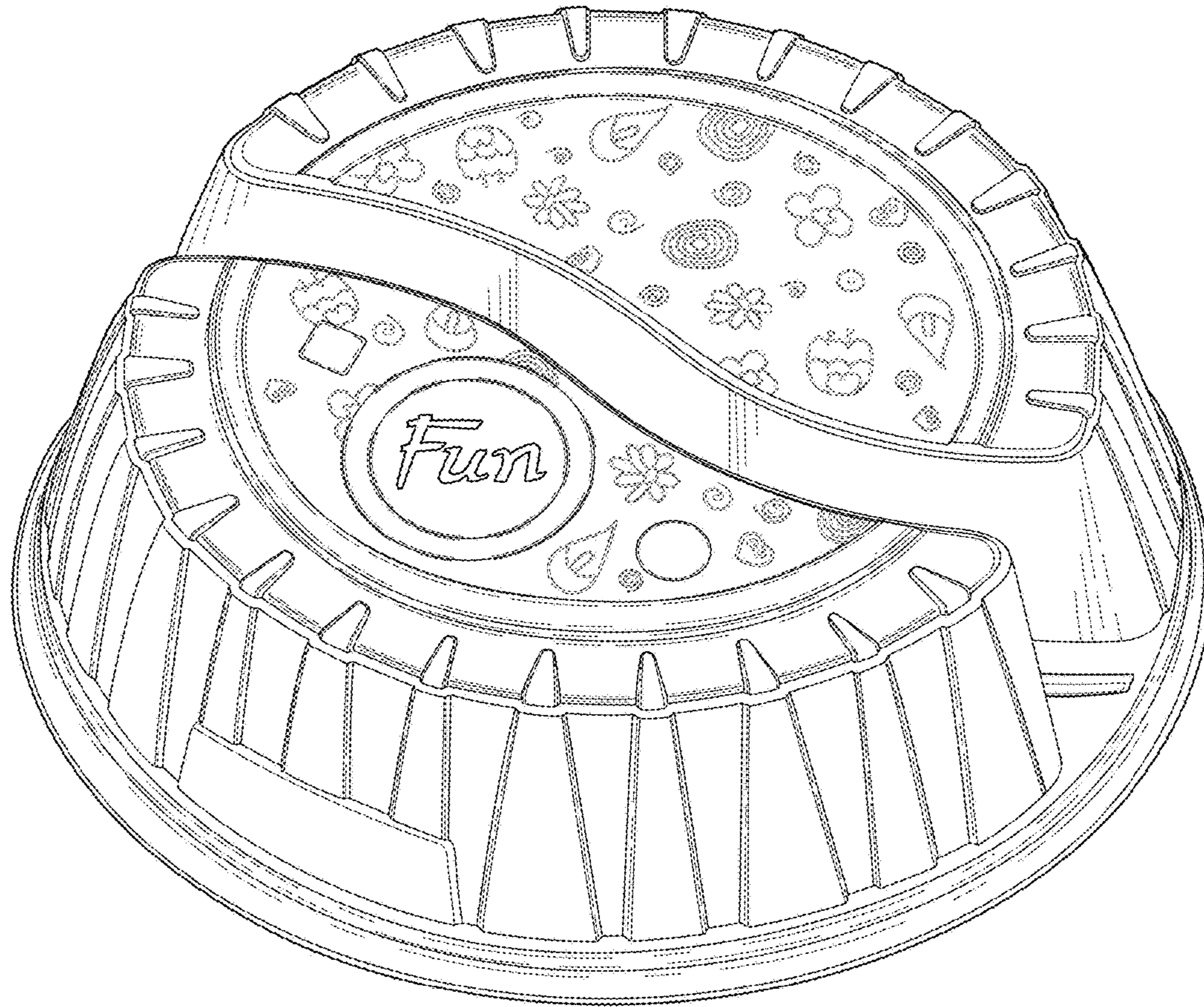


Fig.2

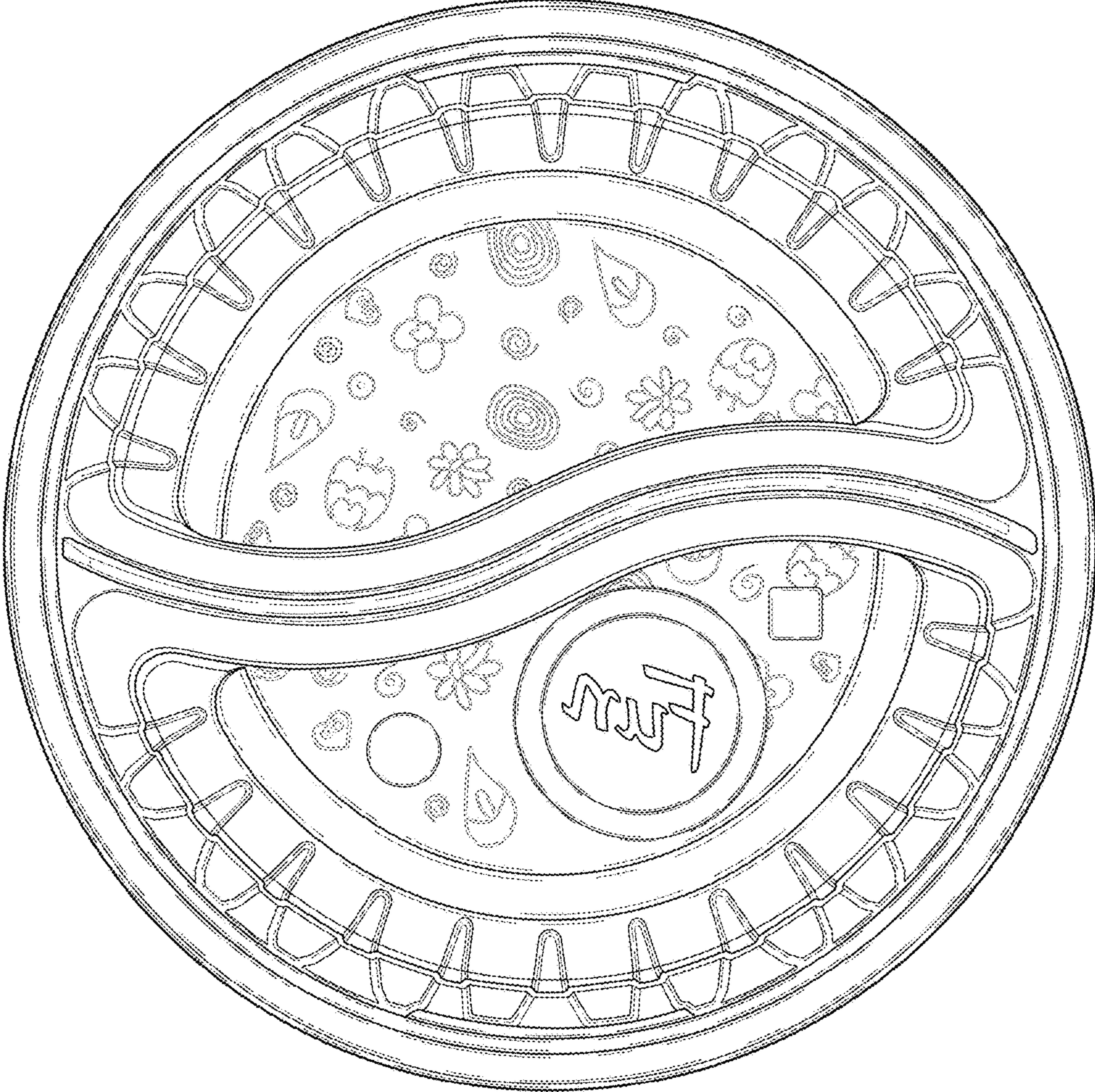


Fig.3

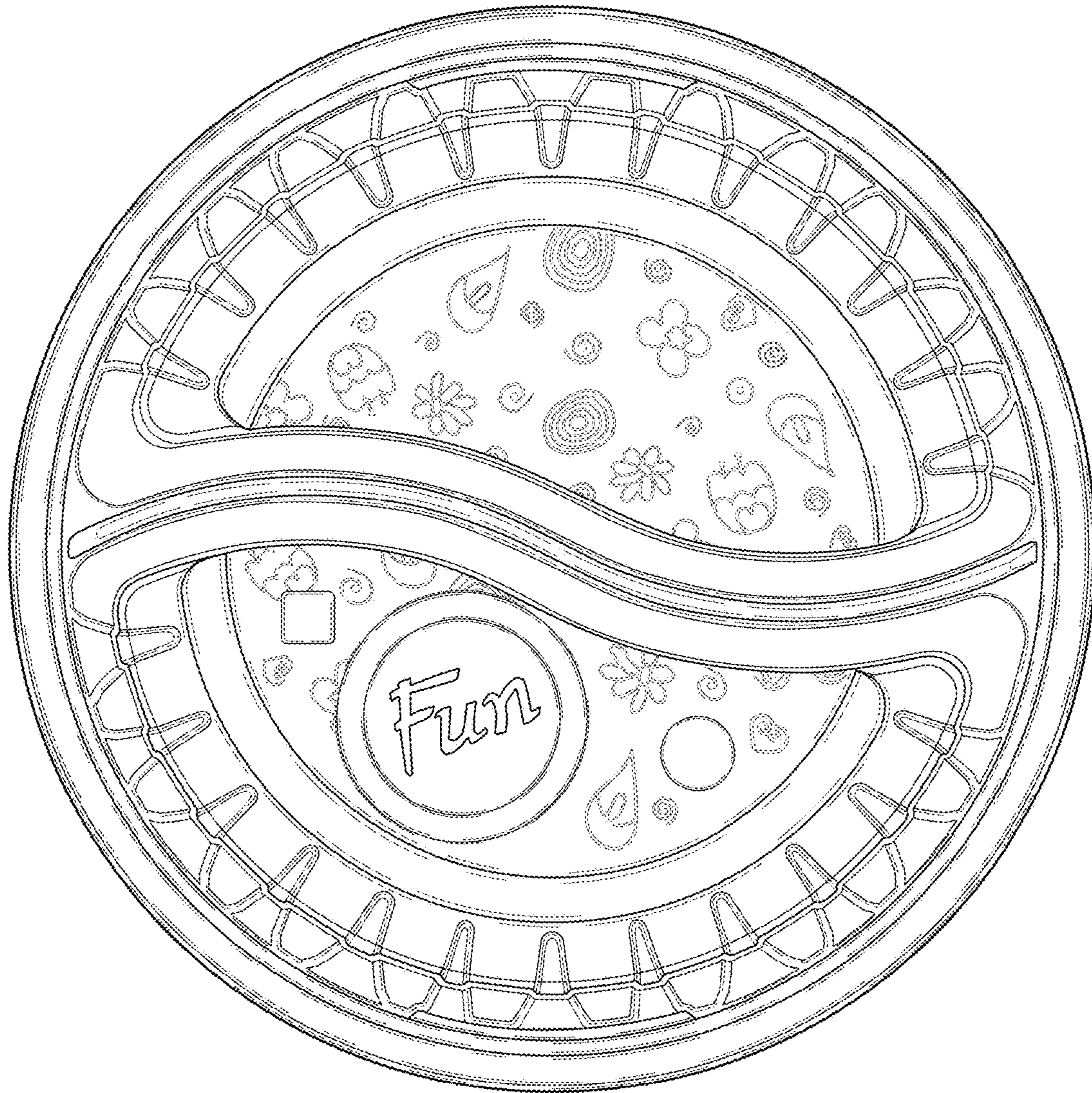


Fig.4

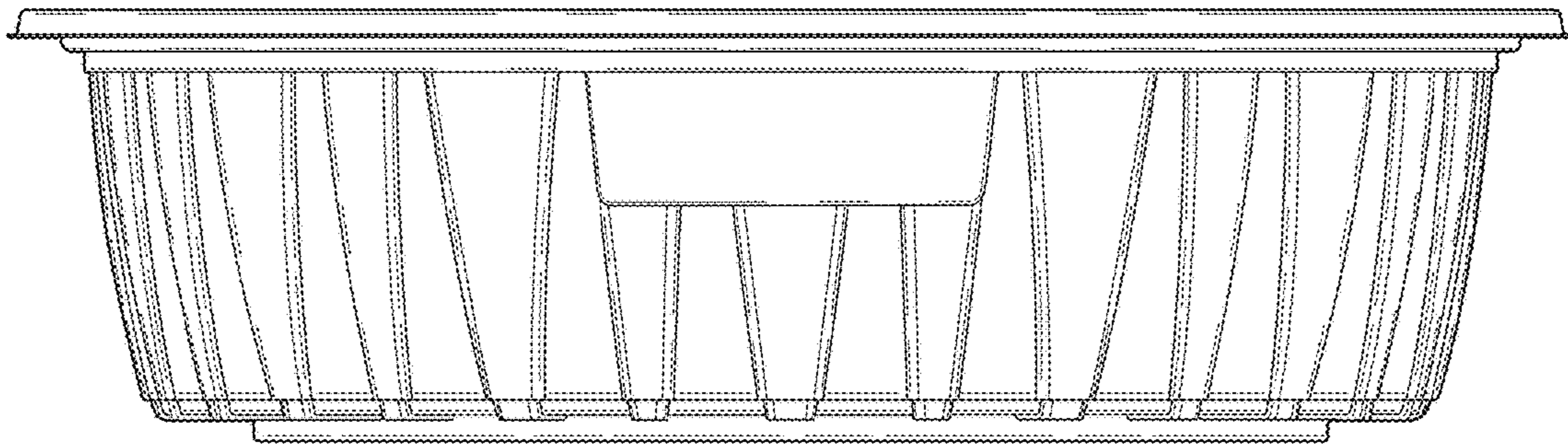


Fig.5

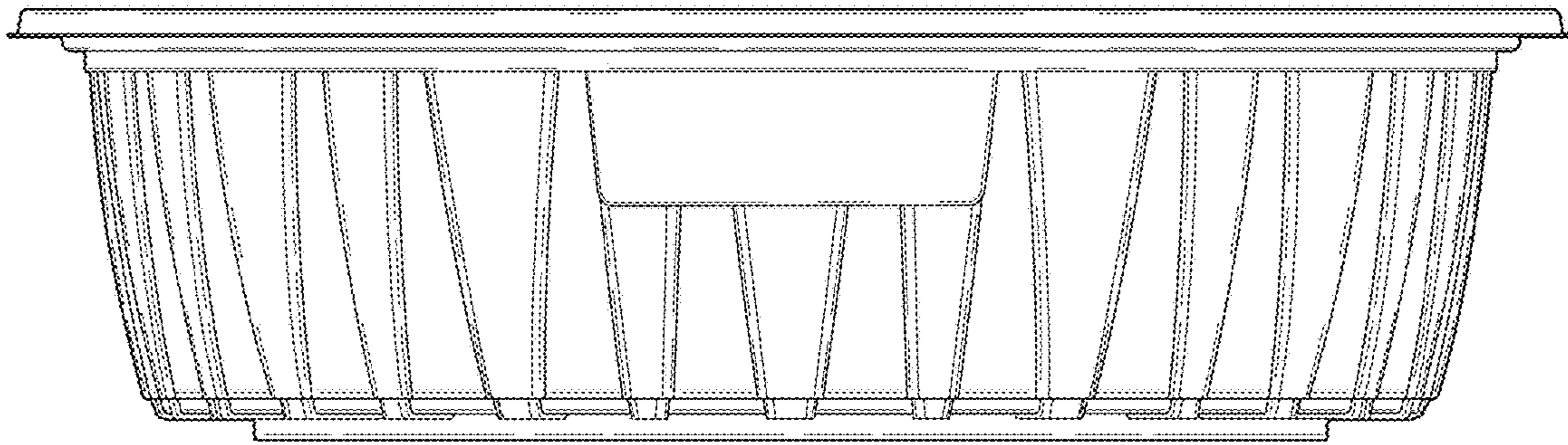


Fig.6

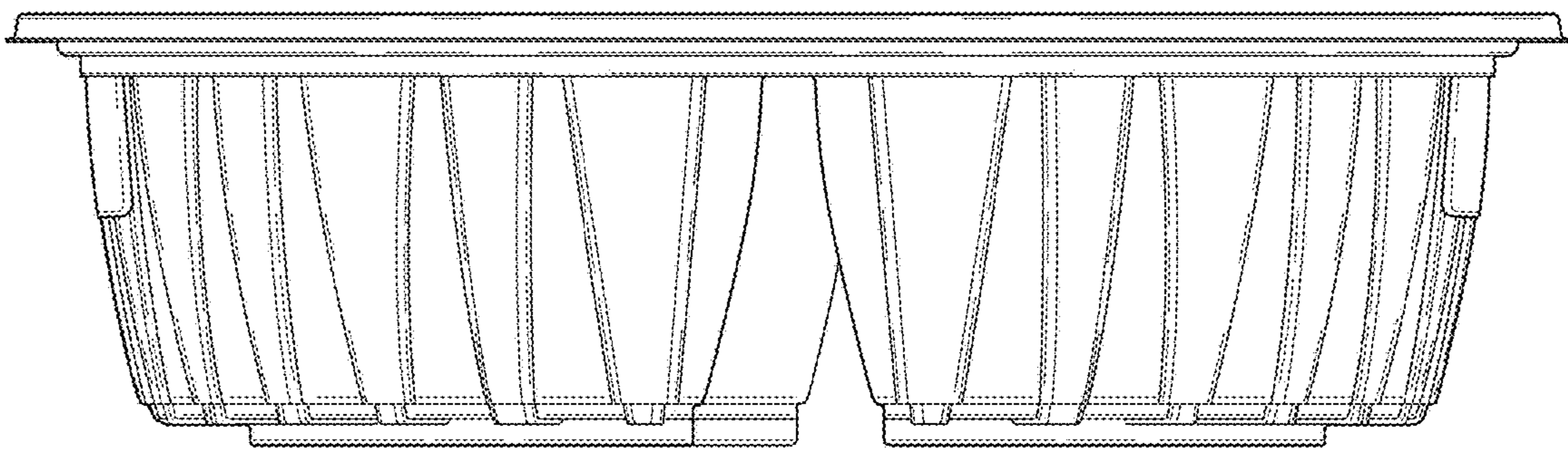


Fig. 7

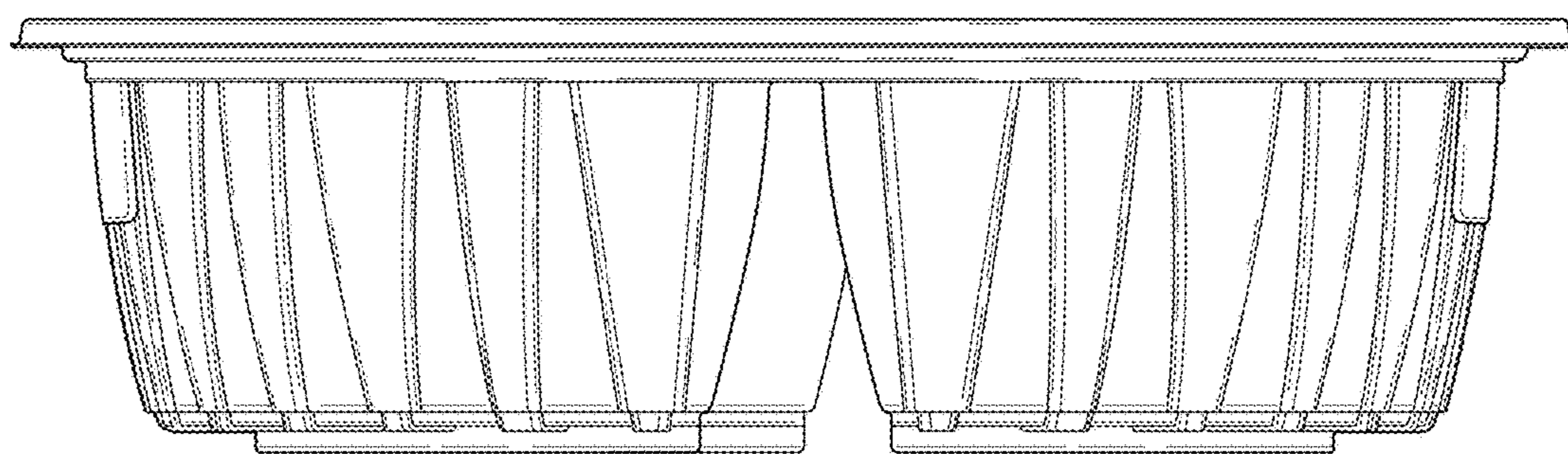


Fig.8

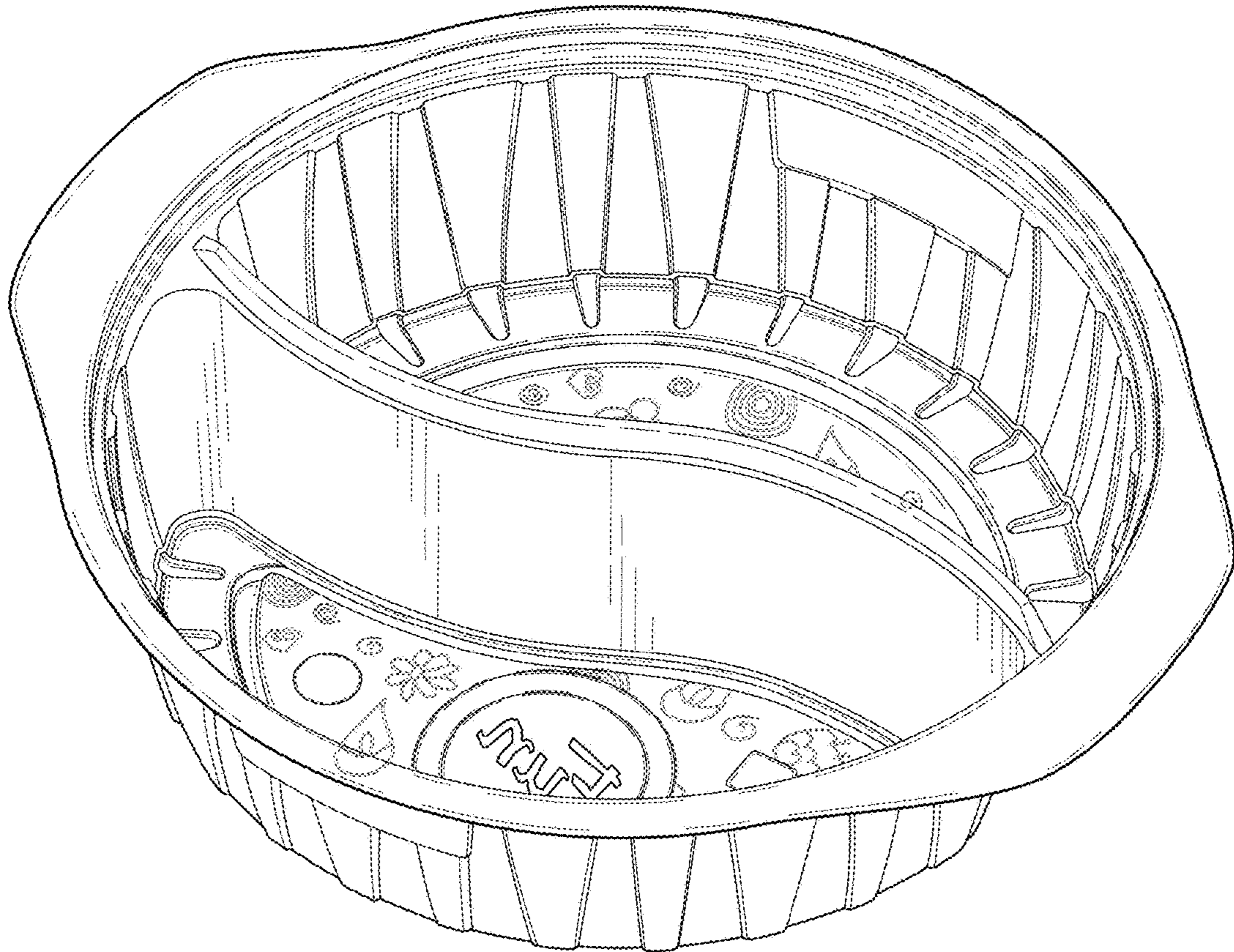


Fig.9

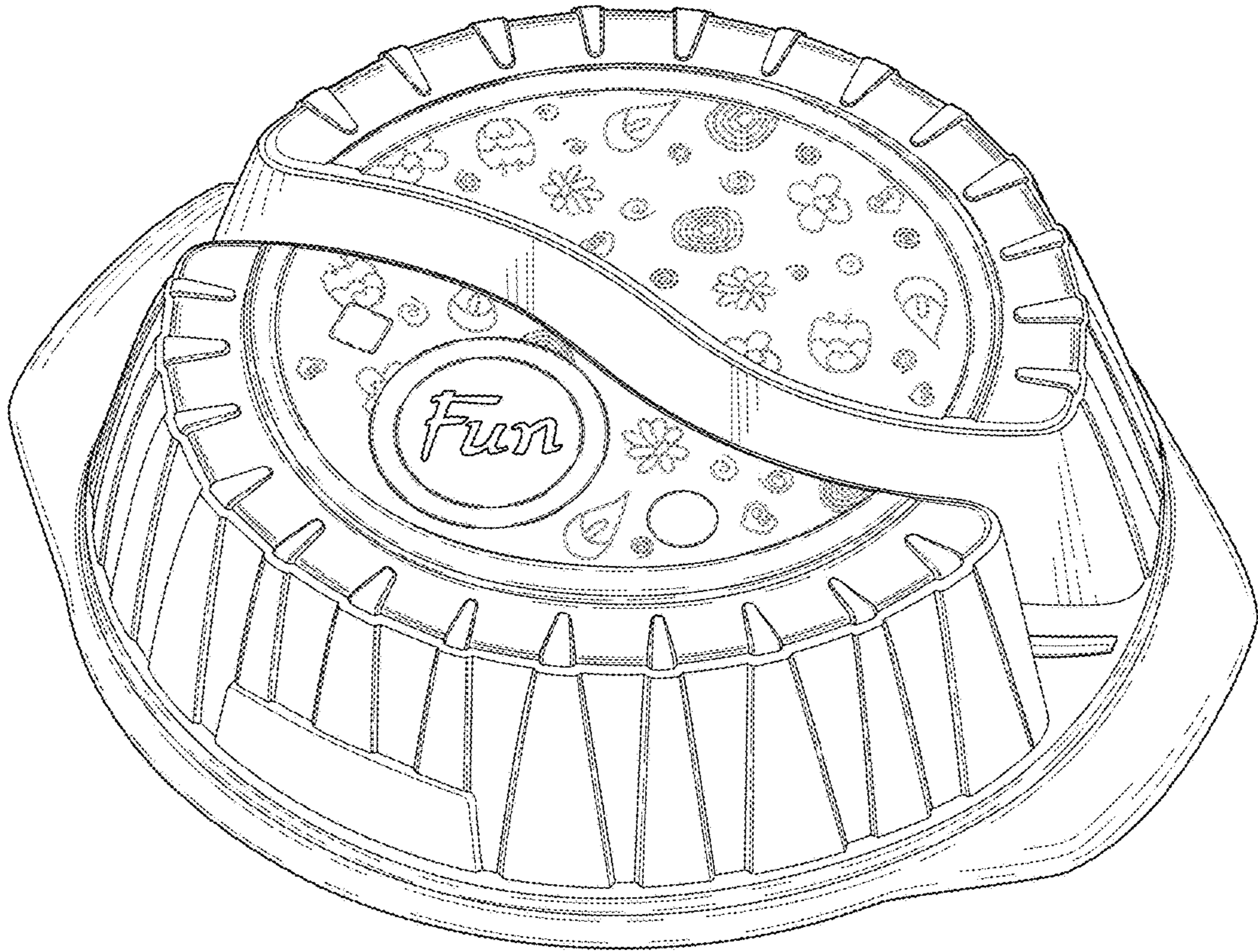


Fig. 10

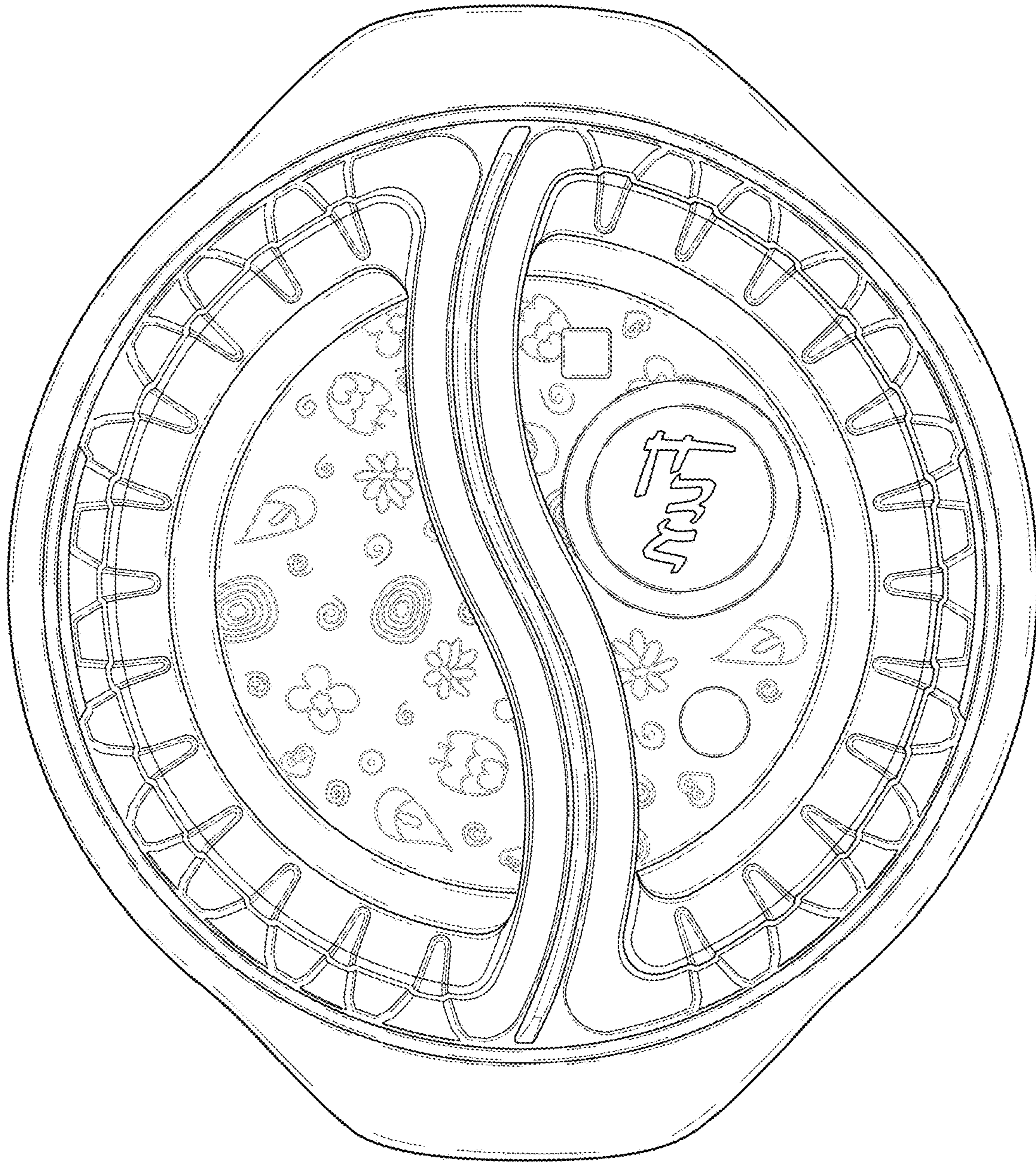


Fig. 11

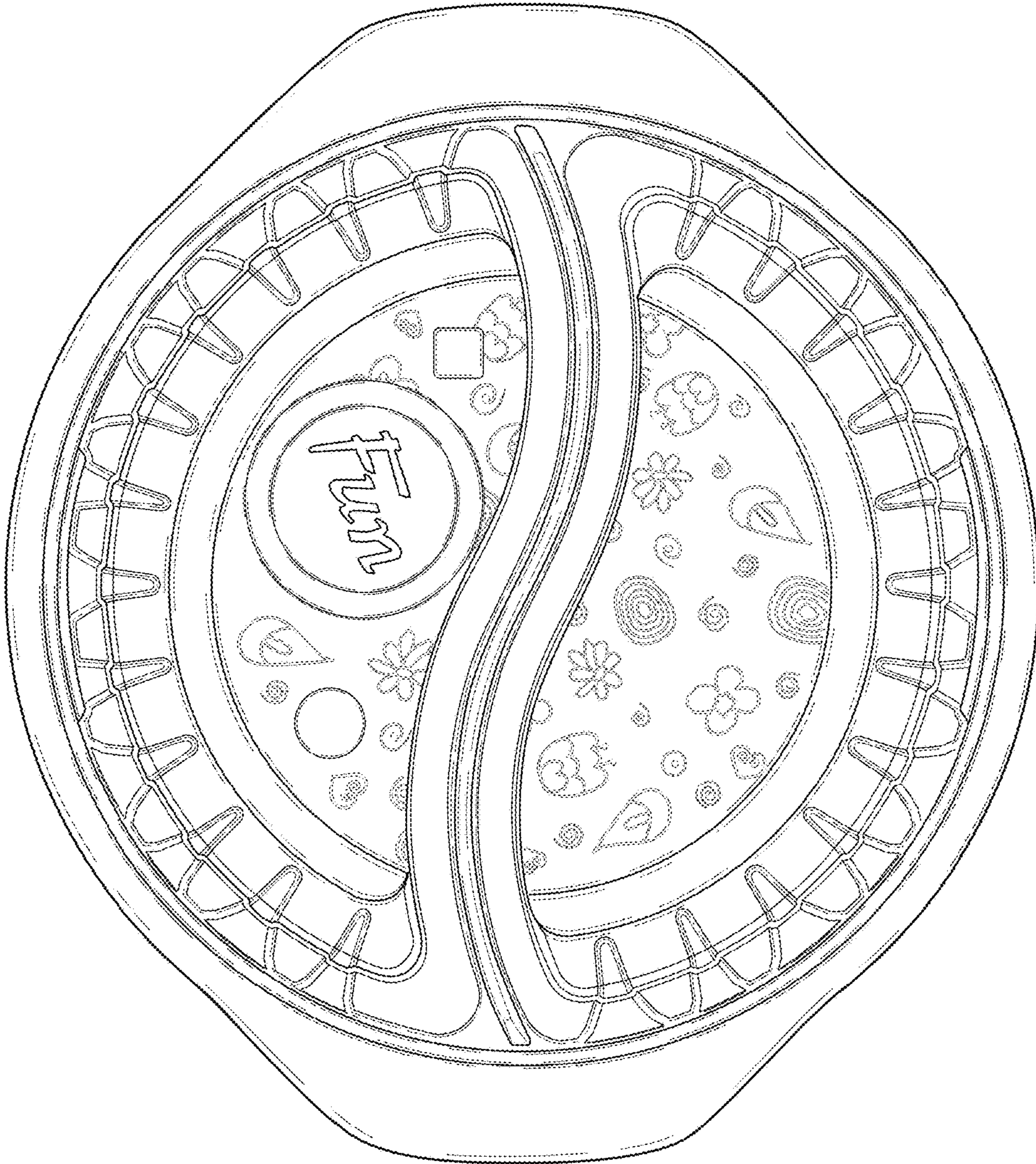


Fig. 12

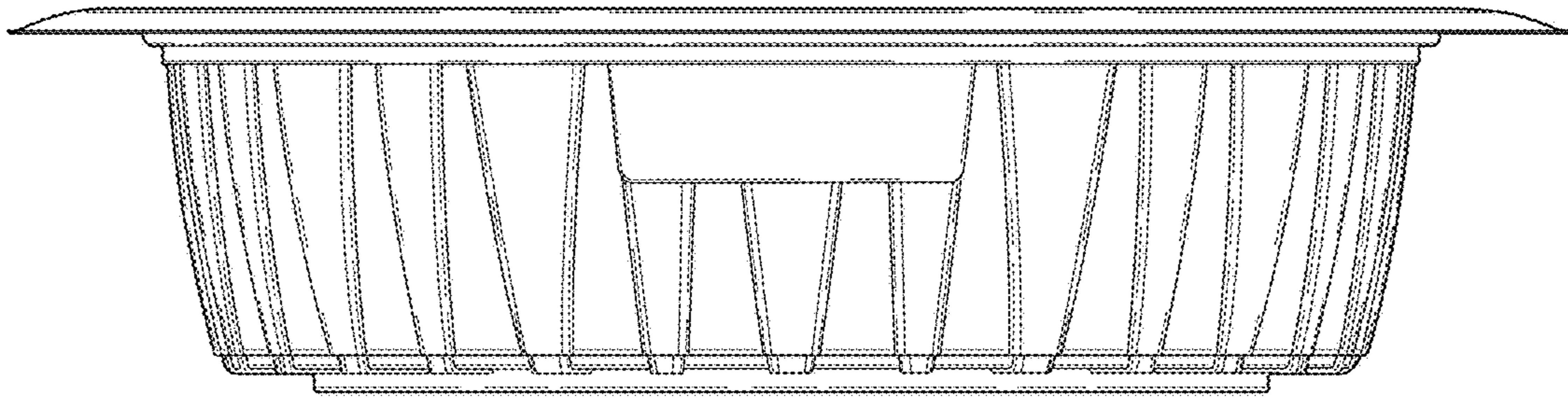


Fig. 13

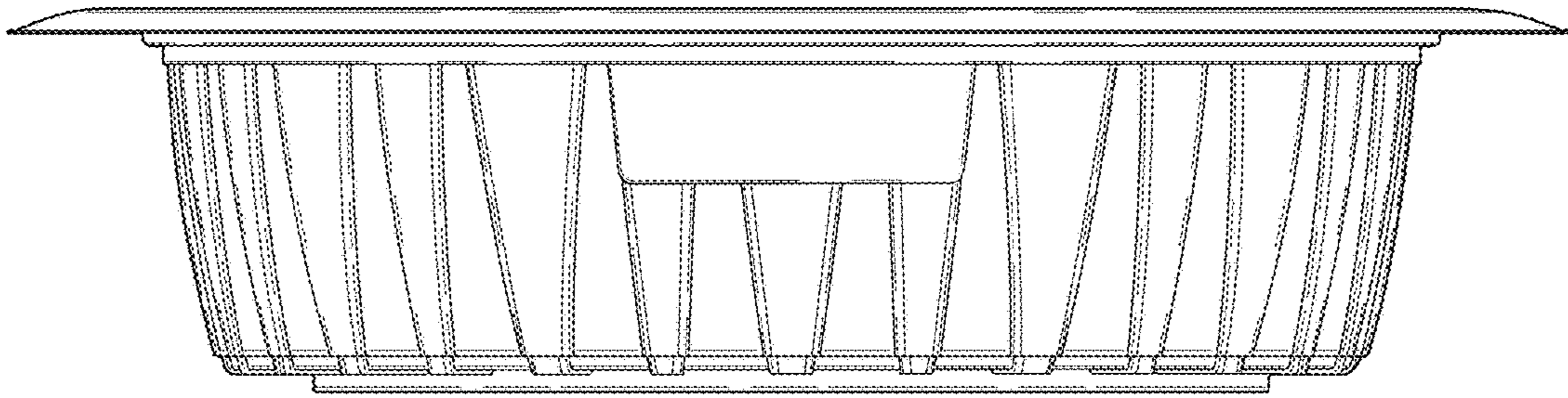


Fig. 14

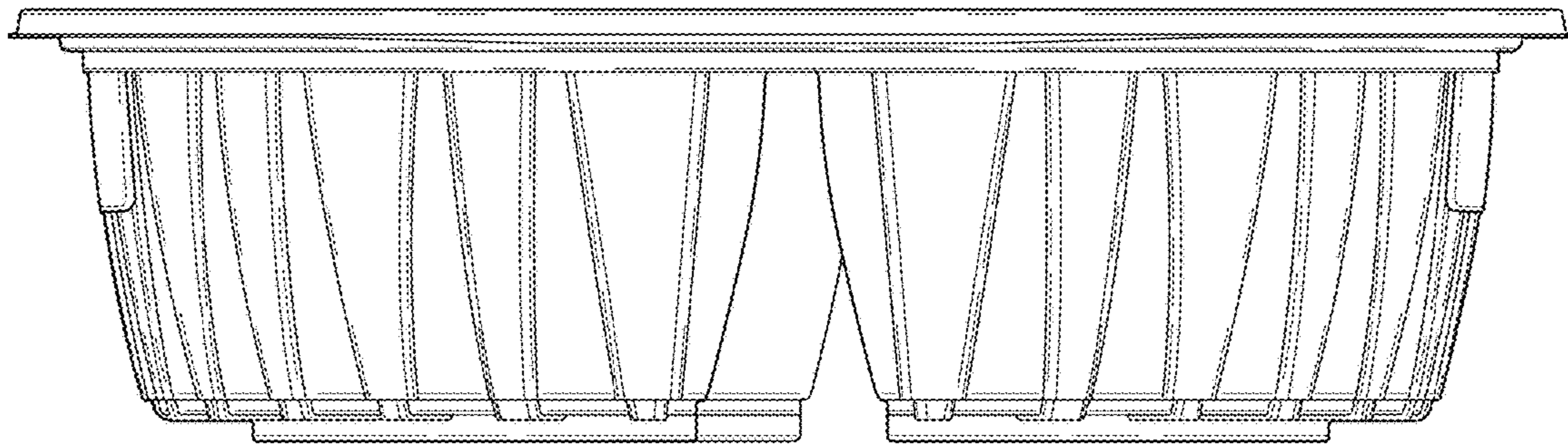


Fig. 15

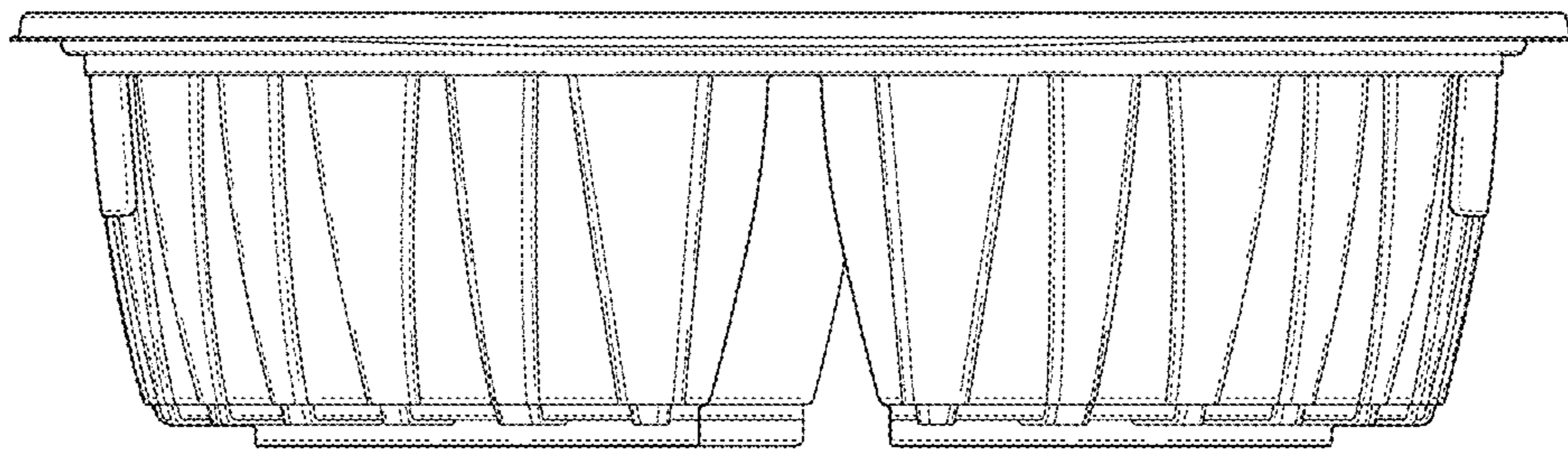


Fig. 16