



US00D789796S

(12) **United States Design Patent**
McSweeney et al.

(10) **Patent No.:** **US D789,796 S**
(45) **Date of Patent:** **** Jun. 20, 2017**

(54) **CONTAINER**

(71) Applicant: **The Hershey Company**, Hershey, PA (US)

(72) Inventors: **Anne Margaret McSweeney**, Hershey, PA (US); **Paul Schroeder**, Hummelstown, PA (US); **Alicia Evans**, York, PA (US)

(73) Assignee: **The Hershey Company**, Hershey, PA (US)

(**) Term: **14 Years**

(21) Appl. No.: **29/524,831**

(22) Filed: **Apr. 23, 2015**

(51) **LOC (10) Cl.** **09-01**

(52) **U.S. Cl.**
USPC **D9/542; D9/530; D9/558; D9/572**

(58) **Field of Classification Search**
USPC **D9/434, 435, 449, 453, 454, 516, 530, D9/542, 544, 545, 548, 549, 550, 558, D9/715, 716, 719; D28/76, 77**
CPC ... **B65D 1/00; B65D 1/02; B65D 1/10; B65D 1/0223; B65D 1/243; B65D 23/00; B65D 81/00; B65D 2501/00; B65D 2501/0009**
See application file for complete search history.

(56) **References Cited**

U.S. PATENT DOCUMENTS

D107,582 S *	12/1937	Straus	D9/600
4,116,350 A *	9/1978	Allasia	B65D 1/10 215/44
D283,490 S *	4/1986	Morgan	D9/529
D287,691 S *	1/1987	Conti	D7/317
D315,503 S *	3/1991	Hart	D32/53.1
D471,110 S *	3/2003	Booth	D9/529
D483,611 S *	12/2003	Diak Ghanem	D7/510
D501,638 S *	2/2005	Hutter	D9/569
D514,943 S *	2/2006	Weber	D9/529

D541,169 S *	4/2007	Ball	D9/537
D583,240 S *	12/2008	Bourne	D9/500
D591,160 S *	4/2009	Windmiller	D9/540
D605,051 S *	12/2009	Bohache	D9/529
D624,428 S *	9/2010	Valderrama	D9/539
D682,701 S *	5/2013	Stephan	D9/539
D755,056 S *	5/2016	Terrasi	D9/538

OTHER PUBLICATIONS

Shampoo Oil Bottles Item Code: #43305330QHSWXQH; Shampoo Bottles Item Code: #73308330DOID. Sohum Pharma Packaing Pvt. Ltd. [Retrieved on May 4, 2015], Retrieved from the internet:<http://www.sohumpharma.com/cosmetic-packaging-bottles.html>.

* cited by examiner

Primary Examiner — Ian Simmons

Assistant Examiner — Keith Frank

(74) *Attorney, Agent, or Firm* — Design IP

(57) **CLAIM**

The ornamental design for a container, as shown and described.

DESCRIPTION

FIG. 1 is a front perspective view of a container showing our new design;

FIG. 2 is a left side view thereof;

FIG. 3 is a right side view thereof;

FIG. 4 is a front view thereof;

FIG. 5 is a rear view thereof;

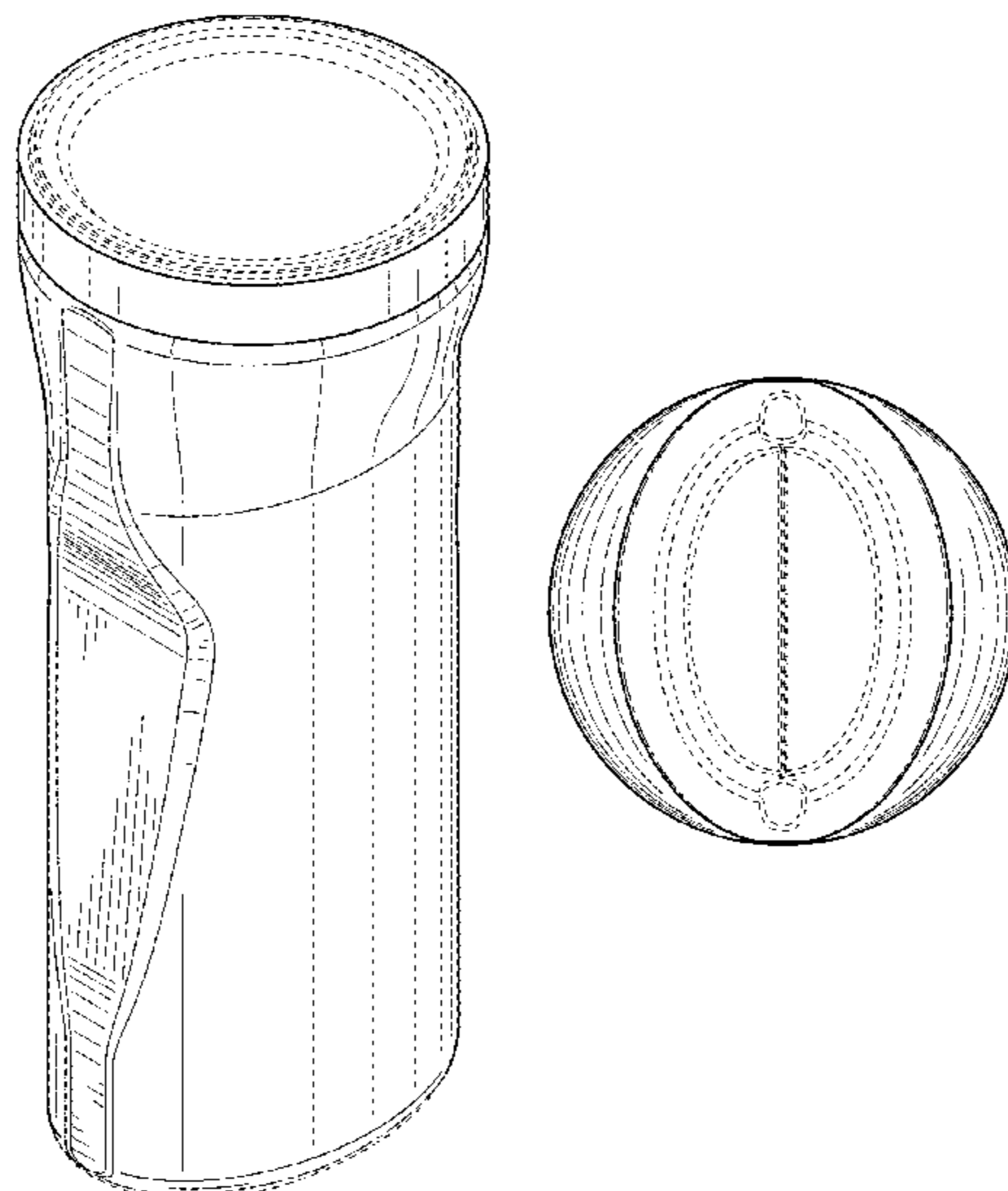
FIG. 6 is a top view thereof;

FIG. 7 is a bottom view thereof; and,

FIG. 8 is a bottom perspective view thereof.

The broken lines appearing in FIGS. 1-8 represent portions of the container that form no part of the claimed design. The dash-dot line appearing in FIGS. 1-5 and 7-8 represents an unclaimed border between claimed and unclaimed subject matter and forms no part of the claimed design.

1 Claim, 5 Drawing Sheets



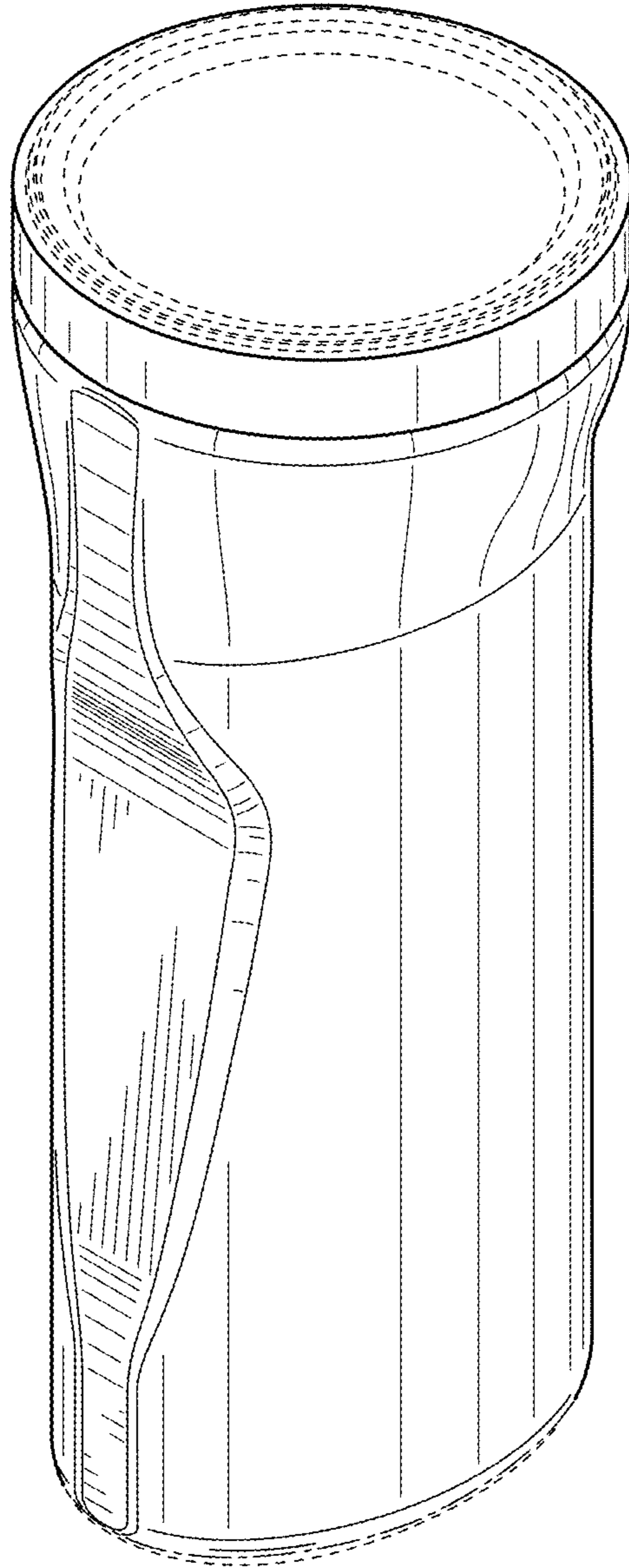


FIG. 1

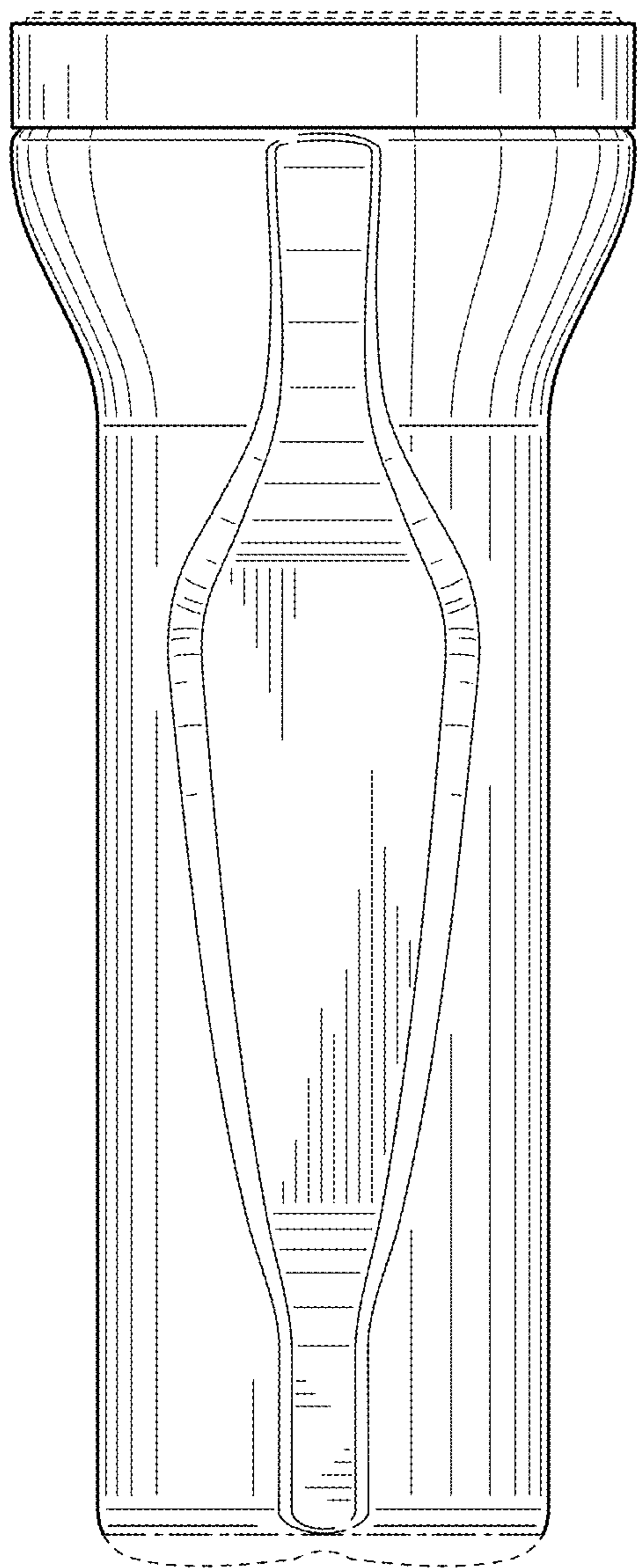


FIG. 2

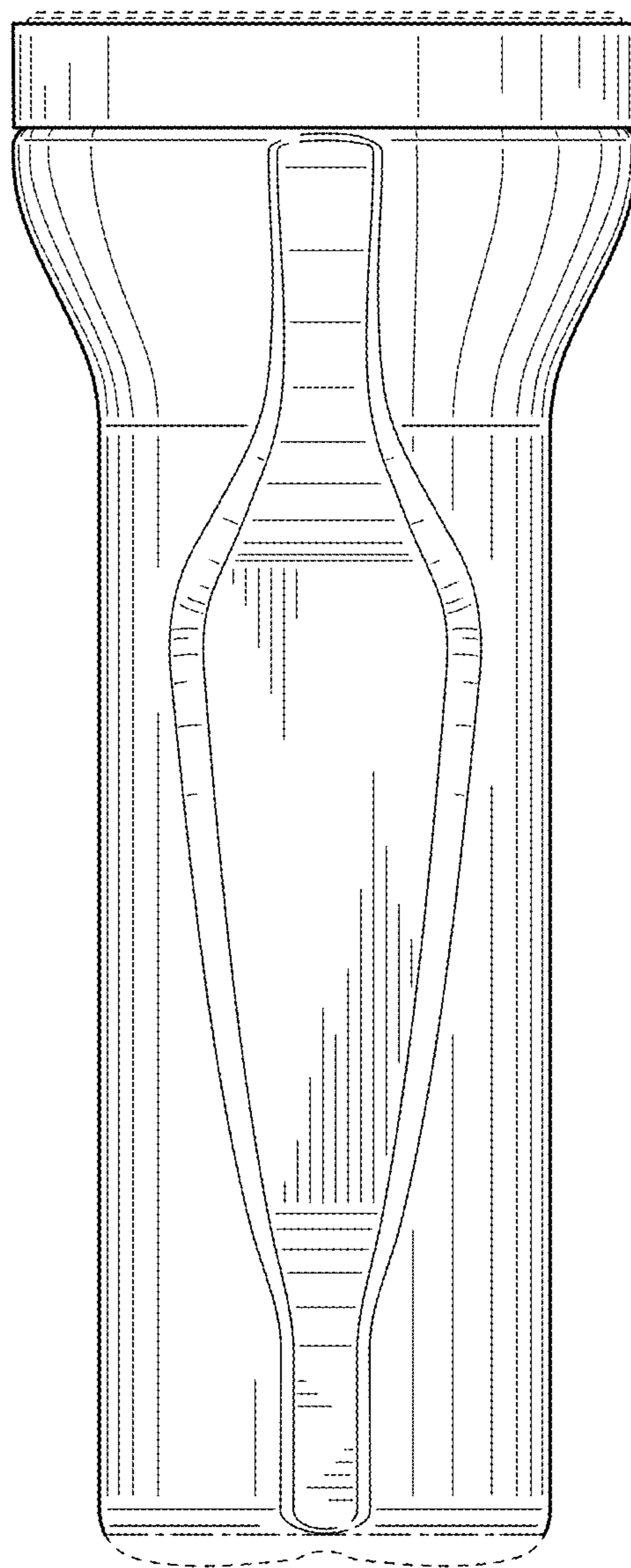


FIG. 3

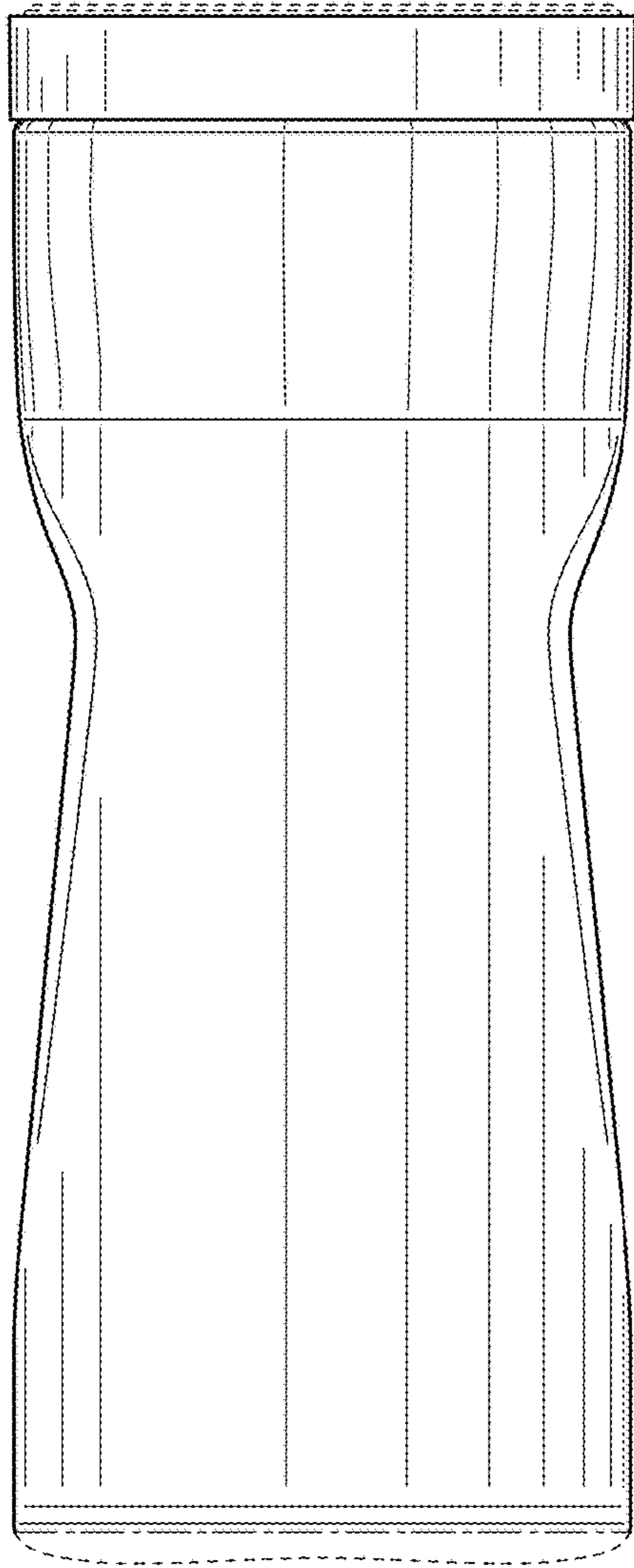


FIG. 4

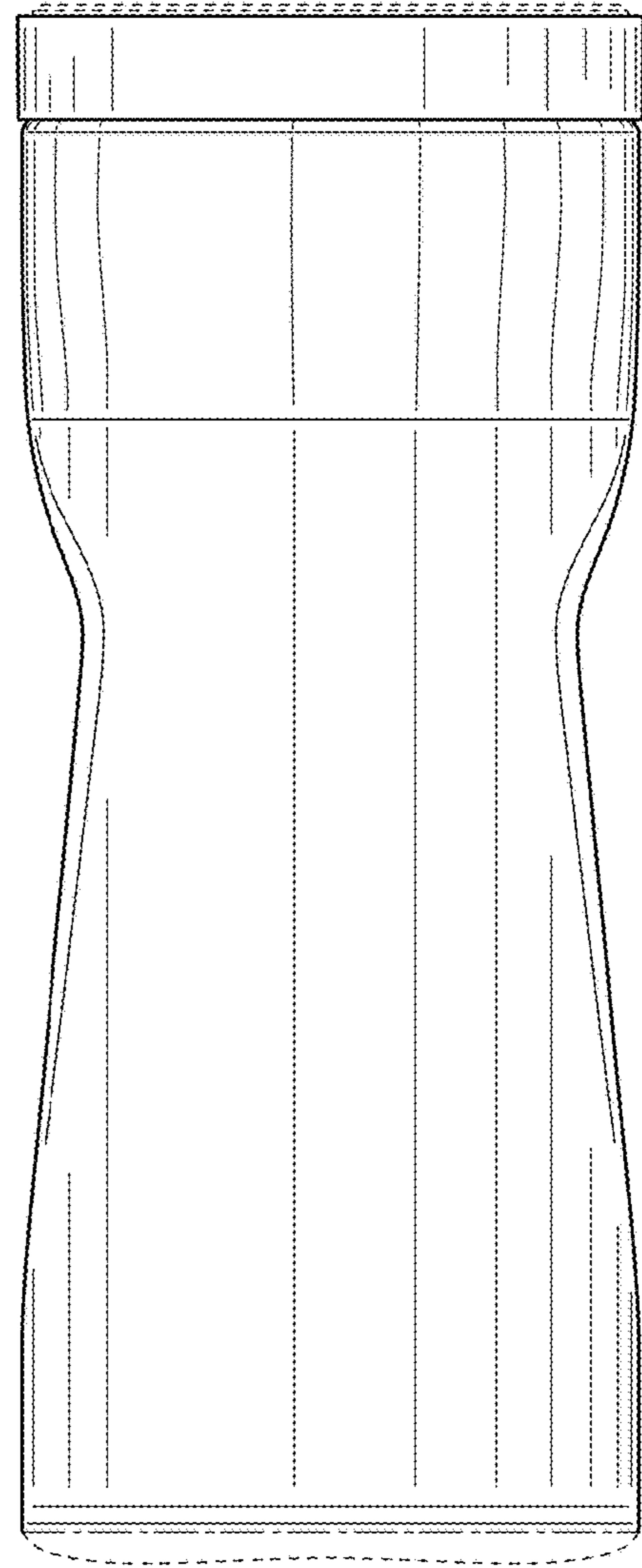


FIG. 5

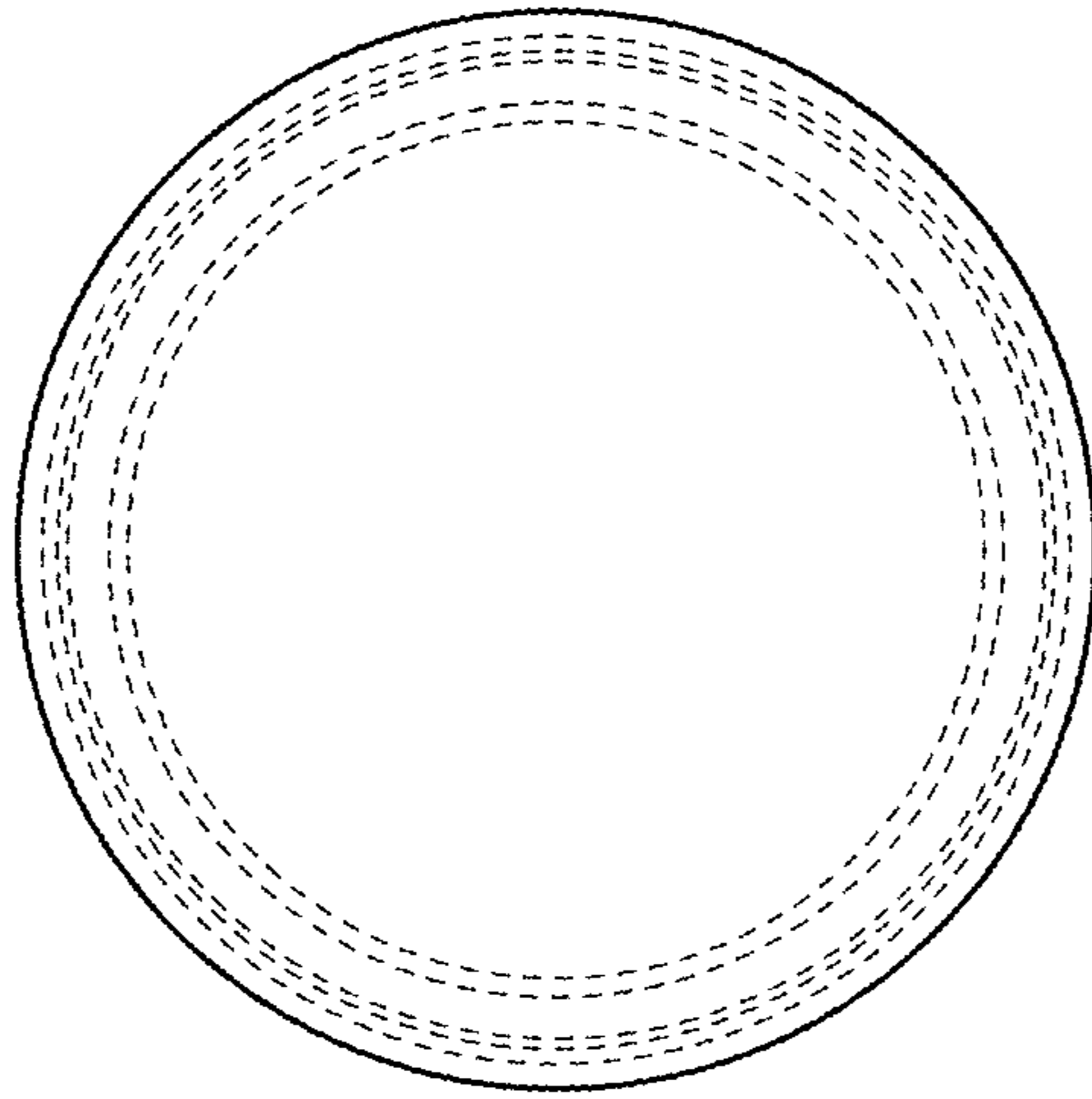


FIG. 6

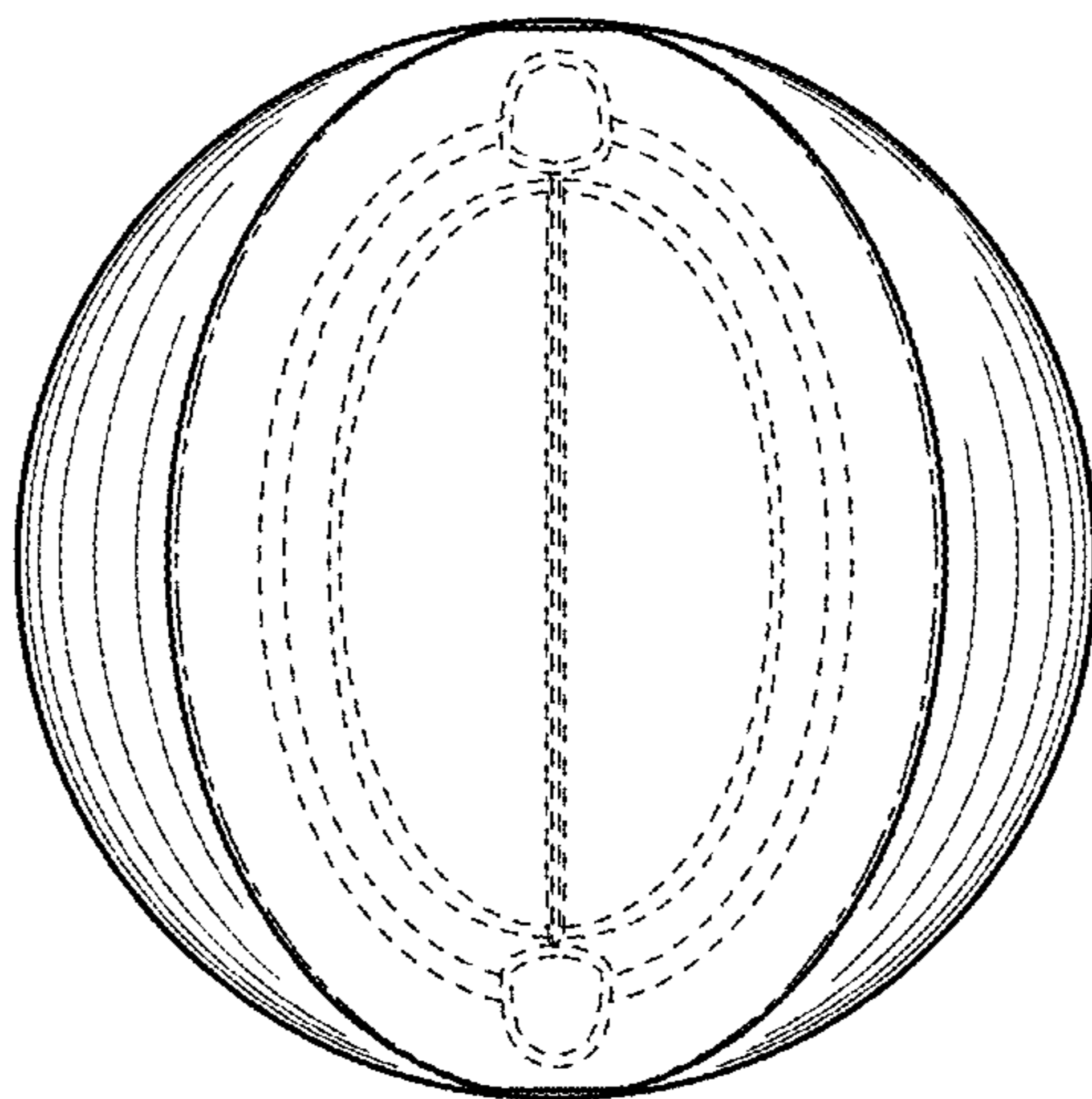


FIG. 7

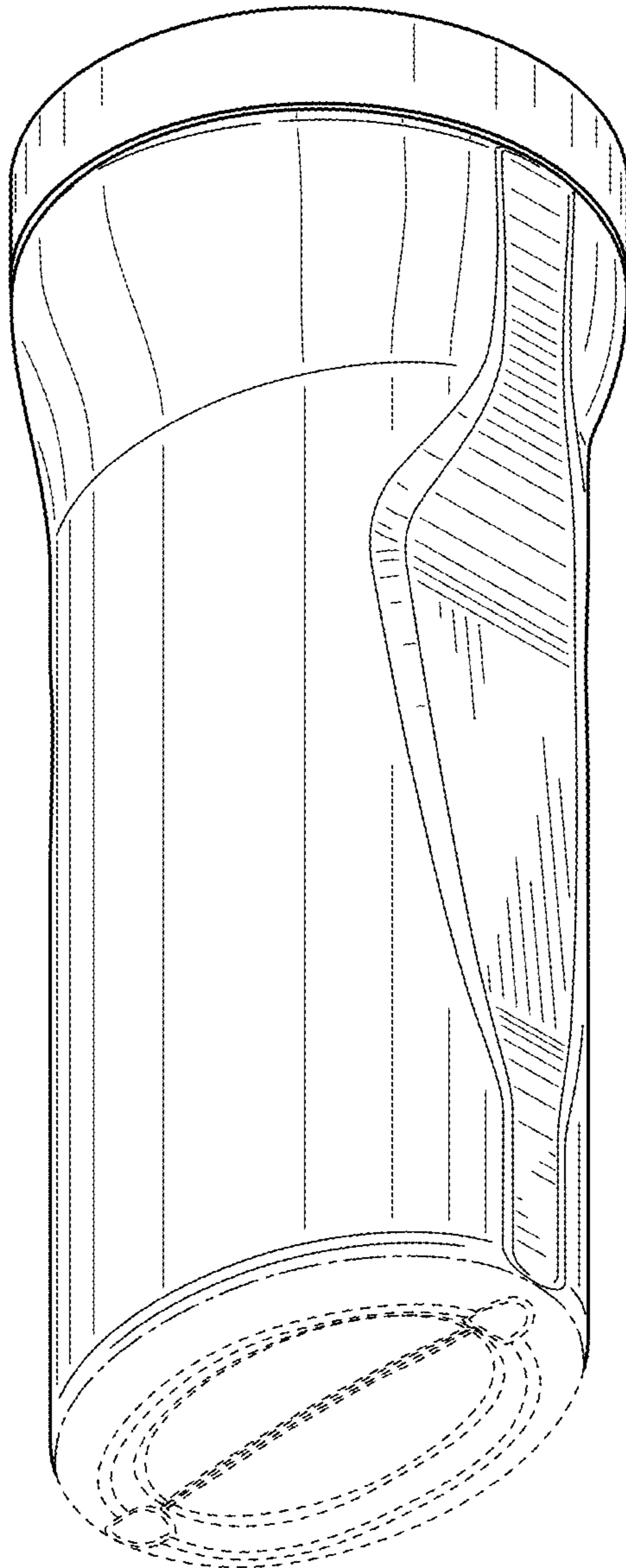


FIG. 8