



US00D789790S

(12) **United States Design Patent** (10) **Patent No.:** **US D789,790 S**  
**Eckstein et al.** (45) **Date of Patent:** **\*\* Jun. 20, 2017**

(54) **NOZZLE FOR SYRINGE**  
(71) Applicant: **3M INNOVATIVE PROPERTIES COMPANY**, St. Paul, MN (US)  
(72) Inventors: **Stefan Eckstein**, München (DE);  
**Andreas J. Boehm**, Reichling (DE);  
**Marc Peuker**, Schöndörf (DE)

4,941,752 A 7/1990 Yant  
D324,267 S \* 2/1992 Smitt ..... D24/112  
D336,044 S \* 6/1993 Miller ..... D9/434  
5,324,273 A 6/1994 Discko, Jr.  
5,392,904 A 2/1995 Frick  
D359,119 S \* 6/1995 Dragan ..... D24/114  
D359,684 S \* 6/1995 Duggan ..... D9/436  
D383,065 S \* 9/1997 Eastling ..... D9/447  
D419,236 S 1/2000 Carlson  
D420,287 S \* 2/2000 Coppola ..... D9/447

(\*\*) Term: **14 Years**

(21) Appl. No.: **29/504,531**

(22) Filed: **Oct. 7, 2014**

(30) **Foreign Application Priority Data**

Apr. 10, 2014 (EP) ..... 1408751

(51) **LOC (10) Cl.** ..... **09-07**

(52) **U.S. Cl.**  
USPC ..... **D9/447**

(58) **Field of Classification Search**  
USPC ..... D7/300, 300.1, 300.2, 303, 313, 317,  
D7/602, 387, 509, 510, 511, 538;  
D9/434, 435, 436, 439, 440, 441, 442,  
D9/443, 444, 445, 446, 447, 448, 449,  
D9/450, 451, 452, 453, 454, 499;  
D24/112, 114, 130, 152, 156, 176  
CPC ..... B65D 41/26; B65D 41/32; B65D 59/06;  
B65D 47/0814; B65D 47/2031; B65D  
51/249; B65D 2251/1066; B65D 41/02;  
B65D 23/00; B65D 39/08; B67D 3/0032;  
A47G 19/26; A47G 19/2266; B65F 1/14  
See application file for complete search history.

(56) **References Cited**

**U.S. PATENT DOCUMENTS**

2,781,312 A \* 2/1957 Klumb ..... B01J 47/002  
210/266  
3,739,947 A 6/1973 Baumann  
D287,877 S 1/1987 Holewinski

**OTHER PUBLICATIONS**

*Tetric EvoCeram & Tetric EvoFlow®*, Ivoclar Vivodent, Oct. 29, 2013, 10 pages.

(Continued)

*Primary Examiner* — Robert M Spear  
*Assistant Examiner* — Marissa J Cash

(57) **CLAIM**

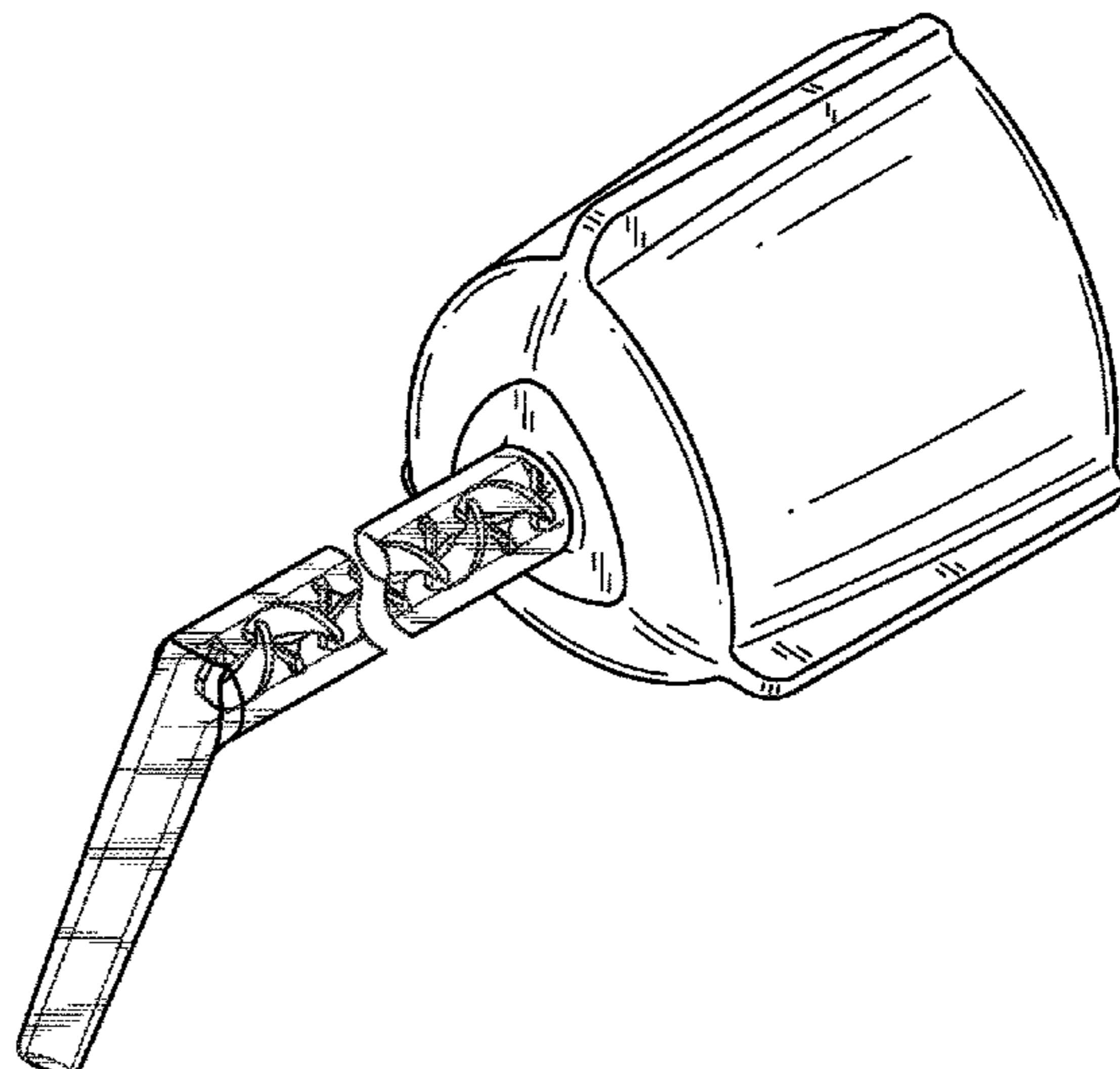
The ornamental design for a nozzle for syringe, as shown and described.

**DESCRIPTION**

FIG. 1 is a perspective view of a nozzle for a syringe showing the new design for a nozzle for syringe, where a portion of the outer surfaces are transparent;  
FIG. 2 is a right side view thereof, the left side view being a mirror image thereof;  
FIG. 3 is a top view thereof;  
FIG. 4 is a bottom view thereof;  
FIG. 5 is a front view thereof; and,  
FIG. 6 is a rear view thereof.

The nozzle for syringe is shown with a symbolic break at its length. The appearance of any portion of the article between the break lines forms no part of the claimed design. The portions of the nozzle for syringe in FIGS. 1-6 shown in broken lines are included to show features that form no part of the claimed design.

**1 Claim, 2 Drawing Sheets**



(56)

References Cited

U.S. PATENT DOCUMENTS

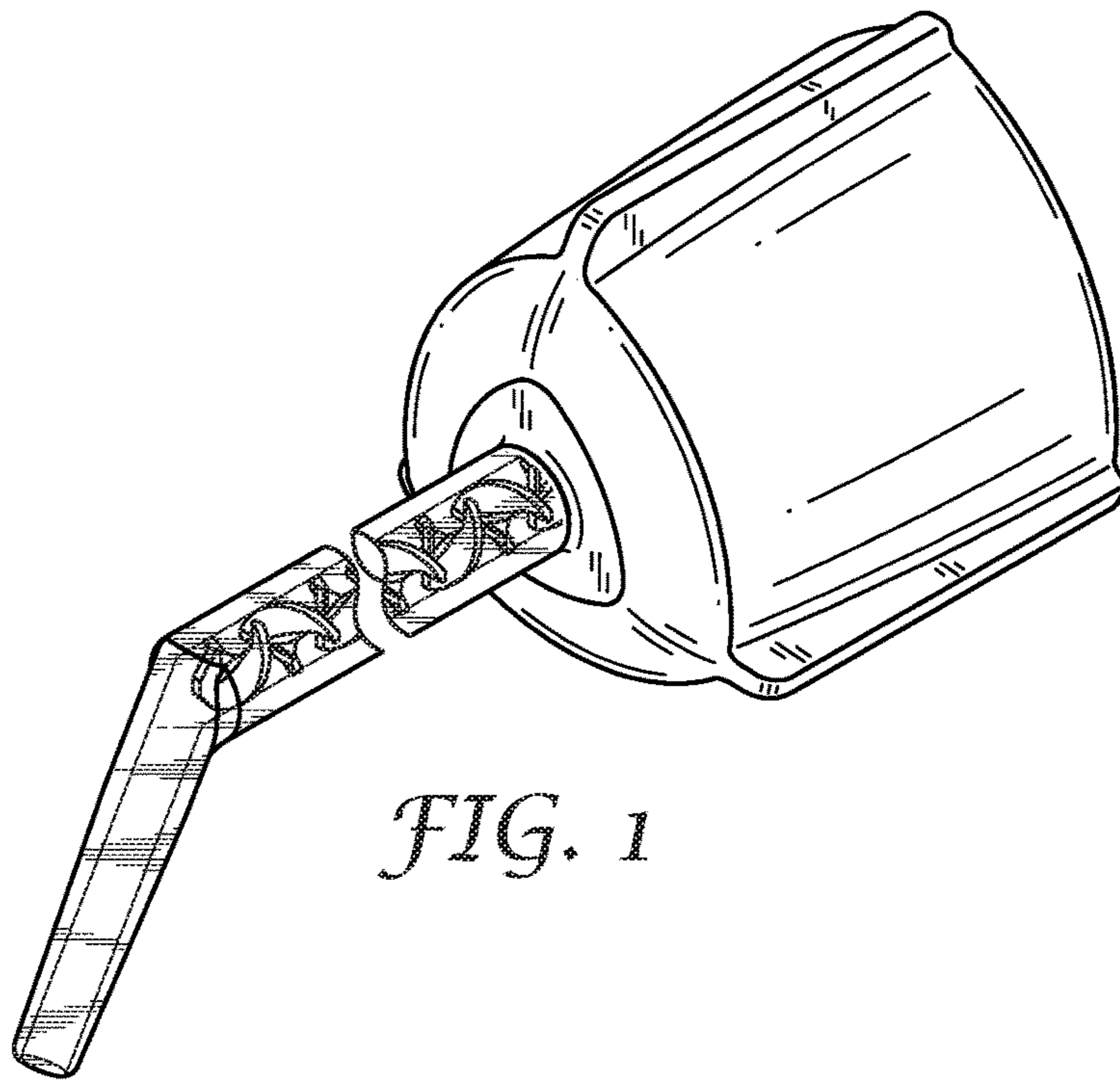
D421,121 S 2/2000 Prasad  
 D438,954 S \* 3/2001 Orsing ..... D24/112  
 D457,626 S \* 5/2002 Farris ..... D24/112  
 D465,539 S \* 11/2002 Tate ..... D21/793  
 D469,869 S \* 2/2003 Farris ..... D24/112  
 D472,323 S 3/2003 Sand  
 D480,643 S \* 10/2003 Dretzka ..... D6/542  
 6,884,071 B2 4/2005 Martin  
 D507,722 S \* 7/2005 Rockhill ..... D7/300.2  
 D534,425 S \* 1/2007 Kuo ..... D6/542  
 D575,570 S \* 8/2008 Antonelli ..... D7/300.2  
 7,562,792 B2 7/2009 Nisbet  
 D605,037 S \* 12/2009 Schrimpf ..... D9/447  
 D625,602 S \* 10/2010 Schrimpf ..... D9/447  
 D645,958 S 9/2011 Assmann  
 D672,873 S 12/2012 An  
 D681,808 S 5/2013 Holaschke  
 D690,813 S 10/2013 Bizzell  
 D693,940 S 11/2013 Walter  
 D695,114 S \* 12/2013 McDonald ..... D9/440  
 D696,787 S 12/2013 Walter  
 D698,918 S 2/2014 Leiner  
 D722,846 S \* 2/2015 Bacich ..... D8/14.1  
 D728,781 S \* 5/2015 Pierson ..... D24/112  
 D733,908 S \* 7/2015 Eckstein ..... D24/220  
 D734,490 S \* 7/2015 Eckstein ..... D24/220  
 D735,350 S \* 7/2015 Eckstein ..... D24/220  
 D739,550 S \* 9/2015 Eckstein ..... D24/220  
 D742,174 S \* 11/2015 Roth ..... D7/300.2  
 D774,908 S \* 12/2016 Eckstein ..... D24/130

2009/0042162 A1\* 2/2009 Pond ..... A61C 17/0202  
 433/80  
 2010/0032432 A1\* 2/2010 Stull, Sr. .... B65D 51/1616  
 220/257.1  
 2010/0240004 A1 9/2010 Zalsman  
 2011/0114668 A1 5/2011 Bublewitz  
 2013/0101955 A1 4/2013 Broyles  
 2013/0260335 A1 10/2013 Peuker

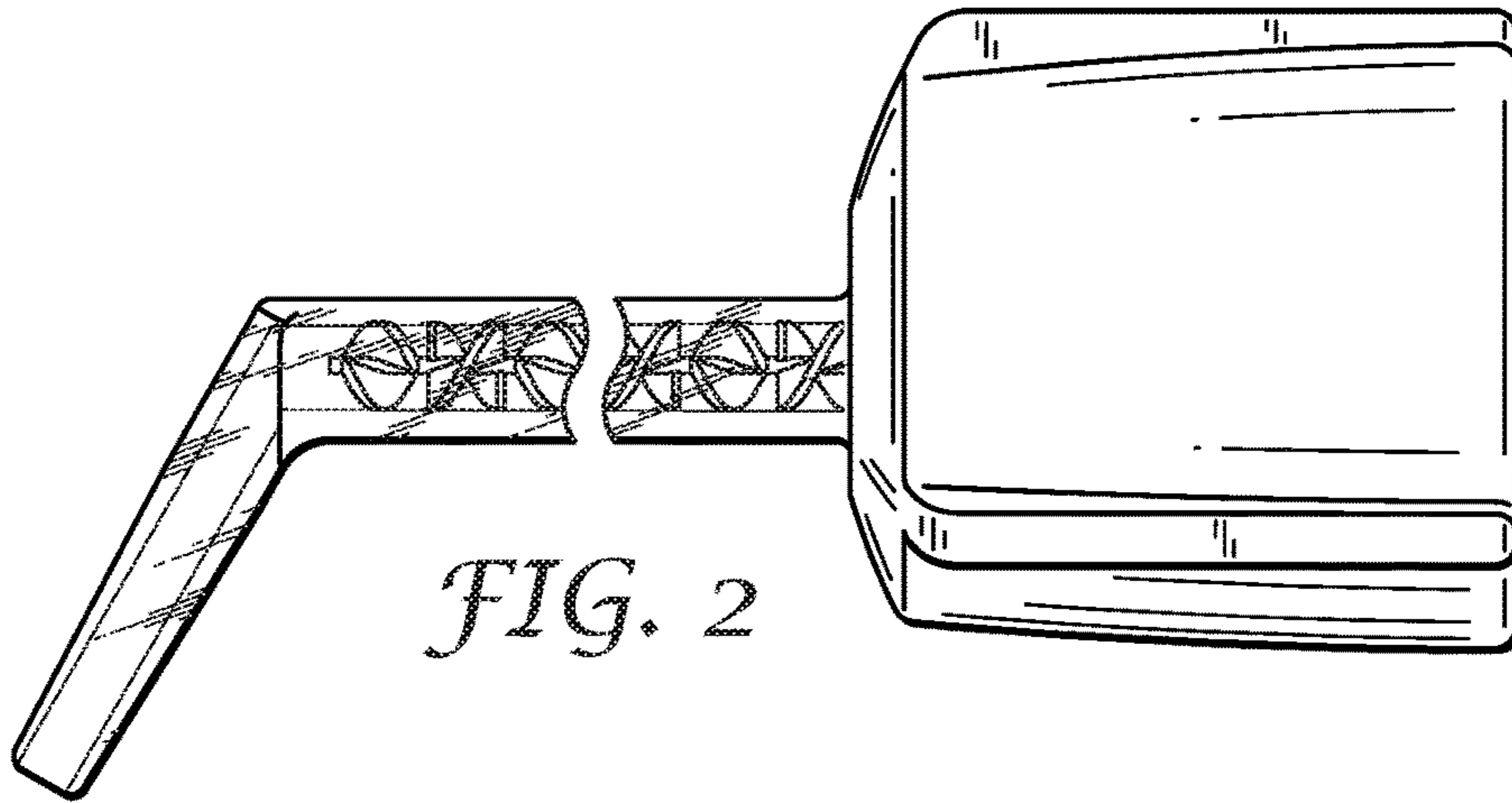
OTHER PUBLICATIONS

*Tetric EvoCeram® Bulk Fill, Nano-Hybrid Composite with Ivocerin, Ivoclar Vivodent©*, 2013, 6 pages.  
 U.S. Appl. No. 29/486,556, to Eckstein, et al., filed Mar. 31, 2014, entitled *Mixing Tip*.  
 U.S. Appl. No. 29/486,560, to Eckstein, et al., filed Mar. 31, 2014, entitled *Mixing Tip*.  
 U.S. Appl. No. 29/486,601, to Eckstein, et al., filed Apr. 1, 2014, entitled *Plunger*.  
 U.S. Appl. No. 29/486,602, to Eckstein, et al., filed Apr. 1, 2014, entitled *Mixing Tip*.  
 U.S. Appl. No. 29/486,605, to Eckstein, et al., filed Apr. 1, 2014, entitled *Plunger*.  
 U.S. Appl. No. 29/486,607, to Eckstein, et al., filed Apr. 1, 2014, entitled *Mixing Tip*.  
 U.S. Appl. No. 29/483,994, to Broyles, filed Mar. 5, 2014, entitled *Flowable Syringe*.  
 U.S. Appl. No. 29,504,525, to Eckstein, filed Oct. 7 2014, entitled *Nozzle for Syringe*.  
 U.S. Appl. No. 29,504,529, to Eckstein, filed Oct. 7, 2014, entitled *Nozzle for Syringe*.

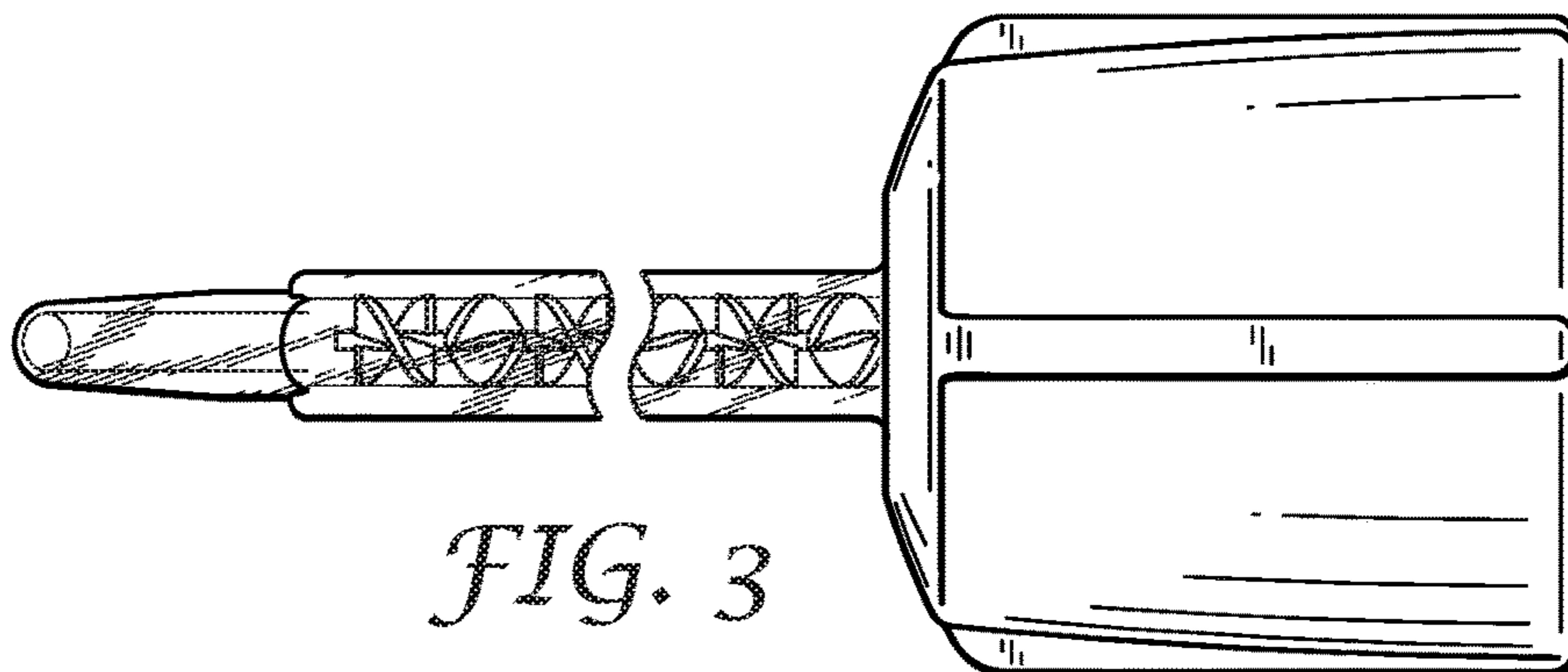
\* cited by examiner



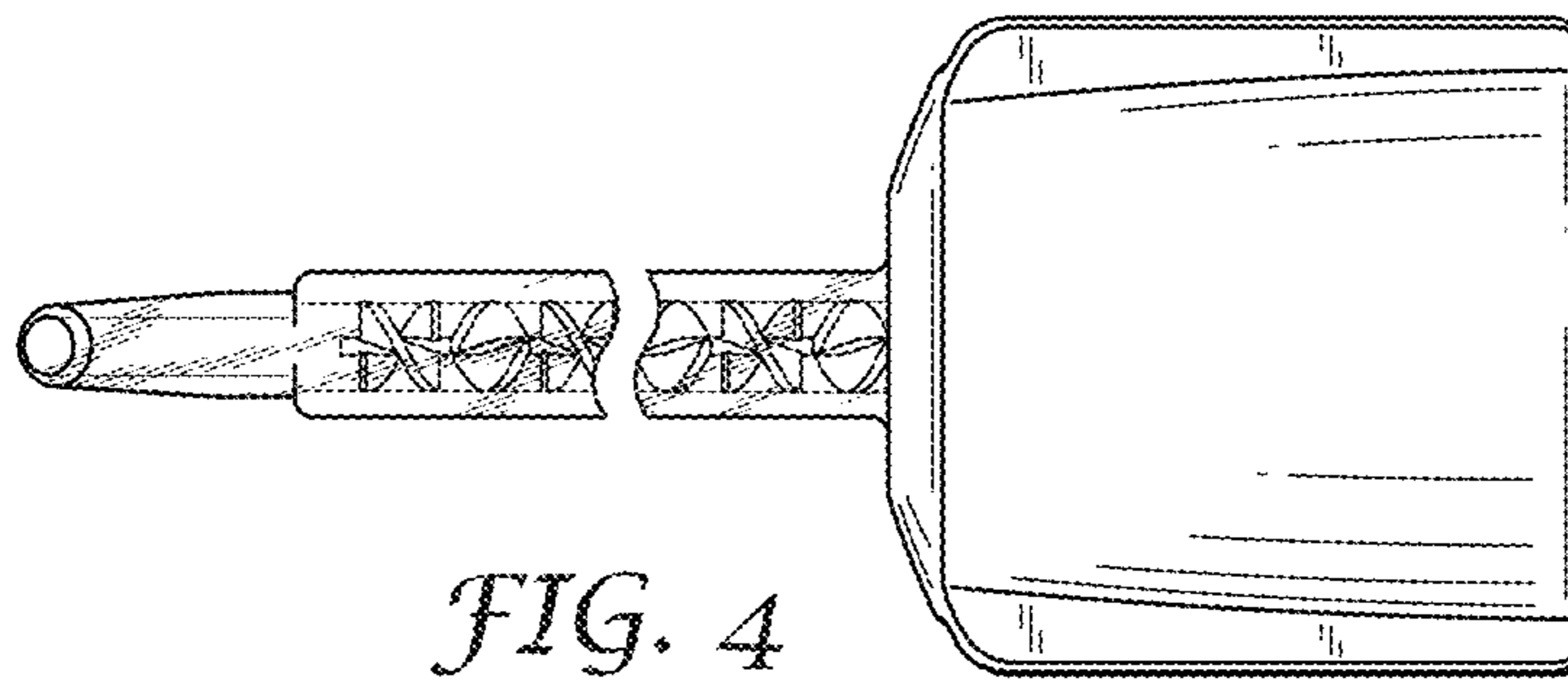
*FIG. 1*



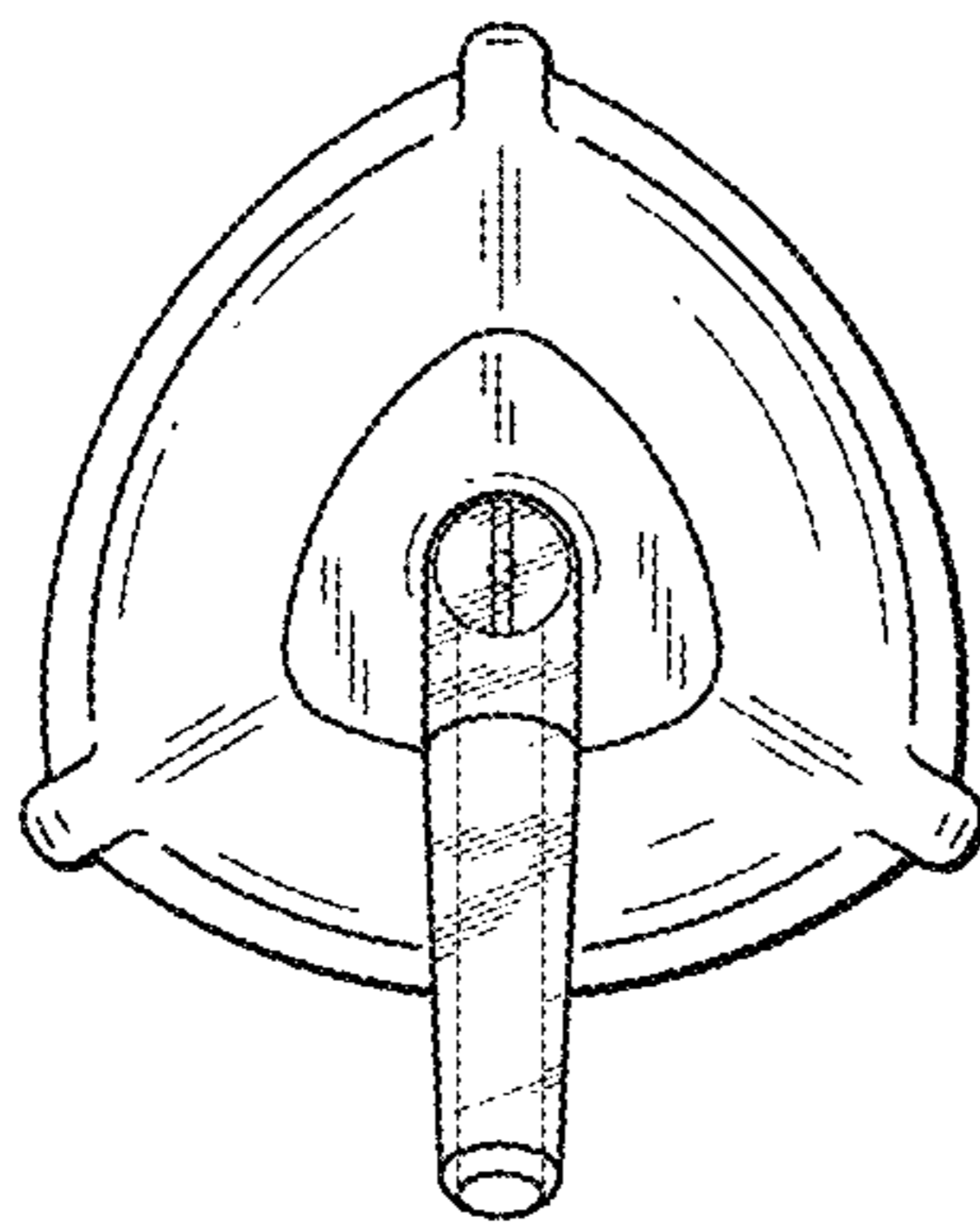
*FIG. 2*



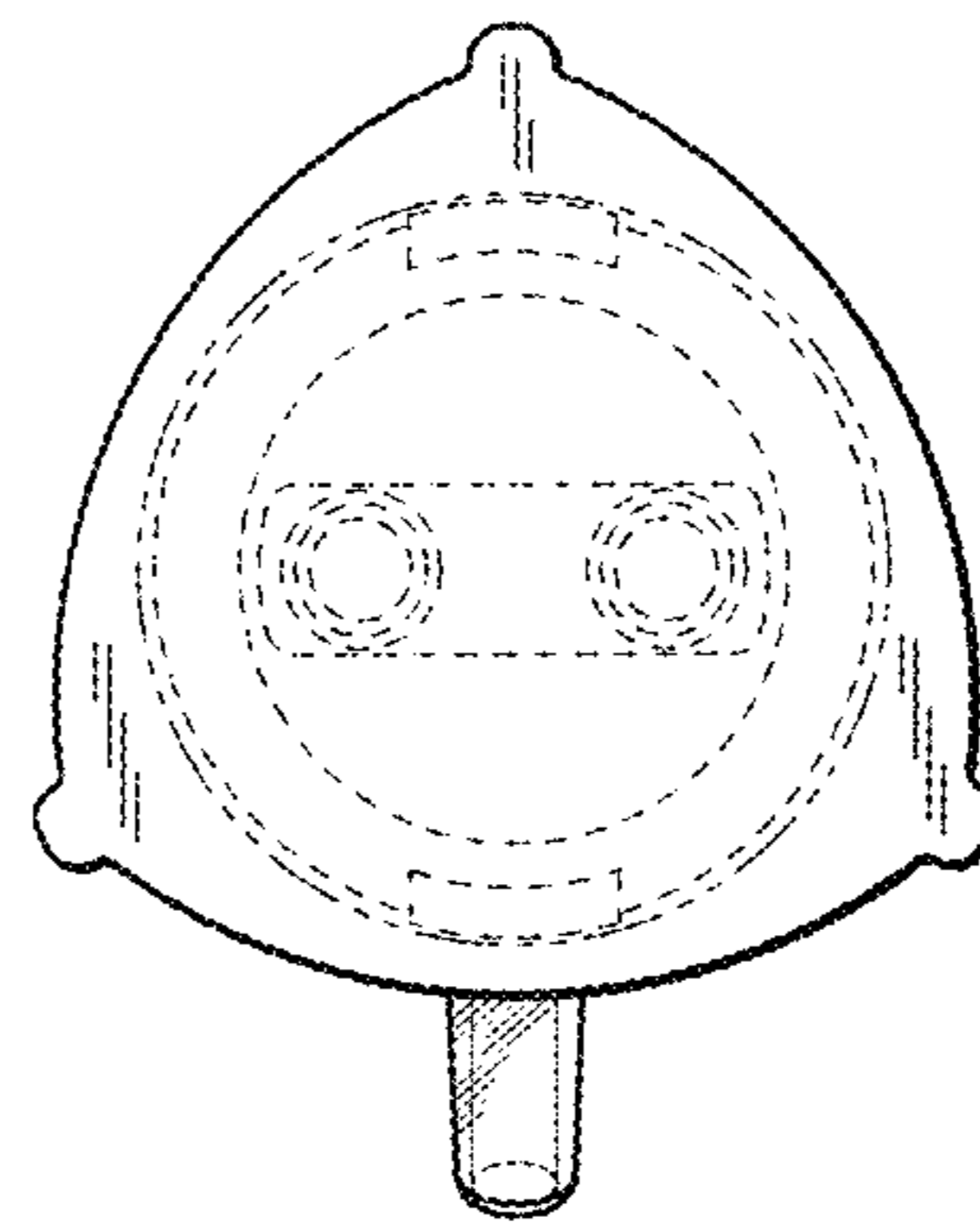
*FIG. 3*



*FIG. 4*



*FIG. 5*



*FIG. 6*

UNITED STATES PATENT AND TRADEMARK OFFICE  
**CERTIFICATE OF CORRECTION**

PATENT NO. : D789,790 S  
APPLICATION NO. : 29/504531  
DATED : June 20, 2017  
INVENTOR(S) : Stefan Eckstein

Page 1 of 1

It is certified that error appears in the above-identified patent and that said Letters Patent is hereby corrected as shown below:

On the Title Page

Column 2, Item [56], (Other Publications):

Line 1, delete "Vivodent," and insert -- Vivadent, --, therefor.

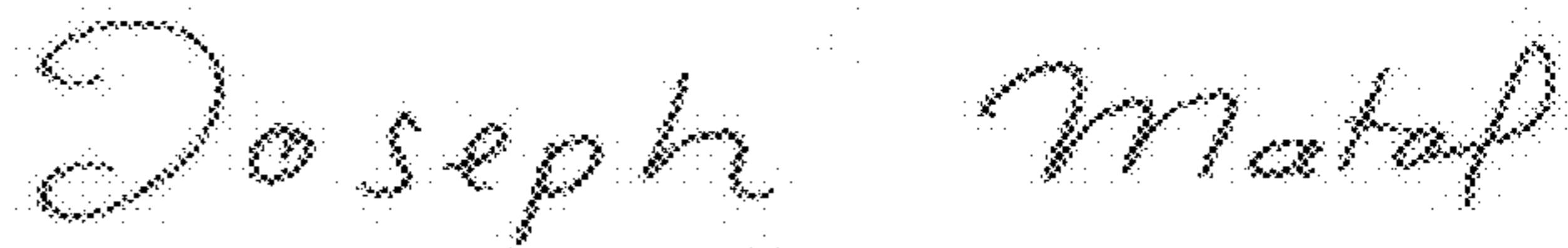
Column 2, (Description):

Line 10, delete "at" and insert -- in --, therefor.

Column 2, Page 2, Item [56], (Other Publications):

Delete "Vivodent<sup>®</sup>," and insert -- Vivadent<sup>®</sup>, --, therefor.

Signed and Sealed this  
Seventh Day of November, 2017



Joseph Matal

*Performing the Functions and Duties of the  
Under Secretary of Commerce for Intellectual Property and  
Director of the United States Patent and Trademark Office*